

7 Parts and Diagrams

- Printer Support..... 206
- Center Covers..... 208
- Electronics Module 210
- Right Cover 212
- Left Cover..... 214
- Right Hand Assemblies 216
- Left Hand Assemblies..... 218
- Carriage Assembly 220
- Scan-Axis Assemblies 222
- Drive Roller and Media-Axis Motor 224
- Paper Path Assemblies 226
- Center Guide and Pinchwheel Assembly 228
- Media Entry Assemblies 230
- Take-Up Reel Assembly 232
- Miscellaneous Parts 234

www.MK-Electronic.de

Printer Support

Reference on Figure	HP Part Number	Part Description	Size	Page ^a
1	Q6651-60257	Leg Cover	All	N/A
2	Q6651-60254	Foot Assembly	All	N/A
3	Q6651-60260	Bin Assembly (Includes the Bin Support)	42-inch	N/A
	Q6652-60135		60-inch	N/A
4	Q6651-60259	Foot Brace Assembly	42-inch	N/A
	Q6651-60262		60-inch	N/A
5	Q6651-60255	Legs Assembly	All	N/A
6	Q6651-60258	Cross-Brace Assembly	42-inch	N/A
	Q6651-60261		60-inch	N/A
7	Q6651-60355	Stand Supports	All	N/A
-	Q6651-60256	Hardware Kit (Includes screws for Legs Assembly)	All	N/A

a. Refers to the page in the Removal and Installation Chapter (if applicable)

www.mk-electronics.com



Figure 1: Printer Support

Center Covers

Reference on Figure	HP Part Number	Part Description	Size	Page ^a
1	Q6651-60333	Rear Door	42-inch	267
	Q6652-60124		60-inch	
2	Q6651-60331	Left Connector Cover	42-inch	271
	Q6651-60122	Electronics Module Extension	60-inch	272
3	Q6651-60332	Right Connector Cover	All	265
4	Q1271-60369	Window Position Sensor	All	N/A
5	Q1273-60204	Window	42-inch	244
	Q6652-60129		60-inch	
6	Q6651-60291	Top Cover	42-inch	261
	Q6652-60113		60-inch	

a. Refers to the page in the Removal and Installation Chapter (if applicable)

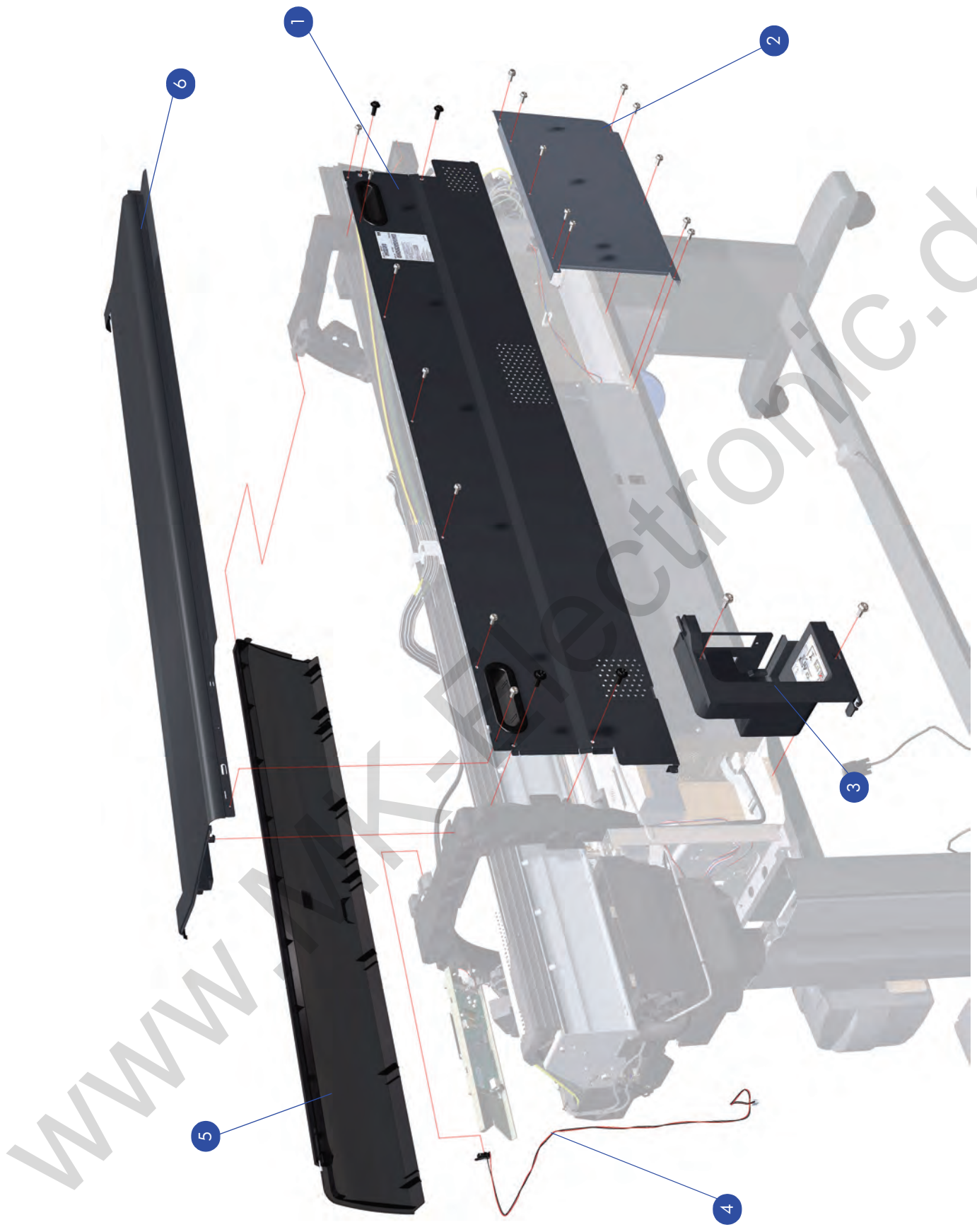


Figure 2: Center Covers

Electronics Module

Reference on Figure	HP Part Number	Part Description	Size	Page ^a
1	Q6651-60306	Electronics Module Cables Kit	All	N/A
2	Q1273-60237	EIO to PCI Interface Card	All	344
3	Q6651-60268	OMAS Controller Card	All	346
4	Q6651-60305	Sausalito PCI PCA ^b	42-inch	353
	Q6652-60121		60-inch	
5	Q6651-60282	Main PCA Formatter (Includes Processor & Heatsink)	All	357
6	Q6651-60348	Interconnect PCA	All	341
7	Q6651-60313	Empty Electronics Module Assembly	All	N/A
8	Q6651-60298	Electronics Module Metal Parts Kit	All	N/A
9	Q1273-60251	Power Supply Unit (PSU)	All	361
10	Q6651-60349	PrintMech PCA	All	366
11	Q1273-60249	Memory Module SDRAM DIMM 32MX64 256M 184-DIM	All	355
12	Q6651-60352	Hard Disk Drive (Includes Holder and screws)	All	359
-		PCI USB PCA	All	N/A
-		Gigabit Ethernet PCI Card	All	N/A

a. Refers to the page in the Removal and Installation Chapter (if applicable)

b. The 60-inch model can be used in a 42-inch printer but a 42-inch model CANNOT be used in a 60-inch printer

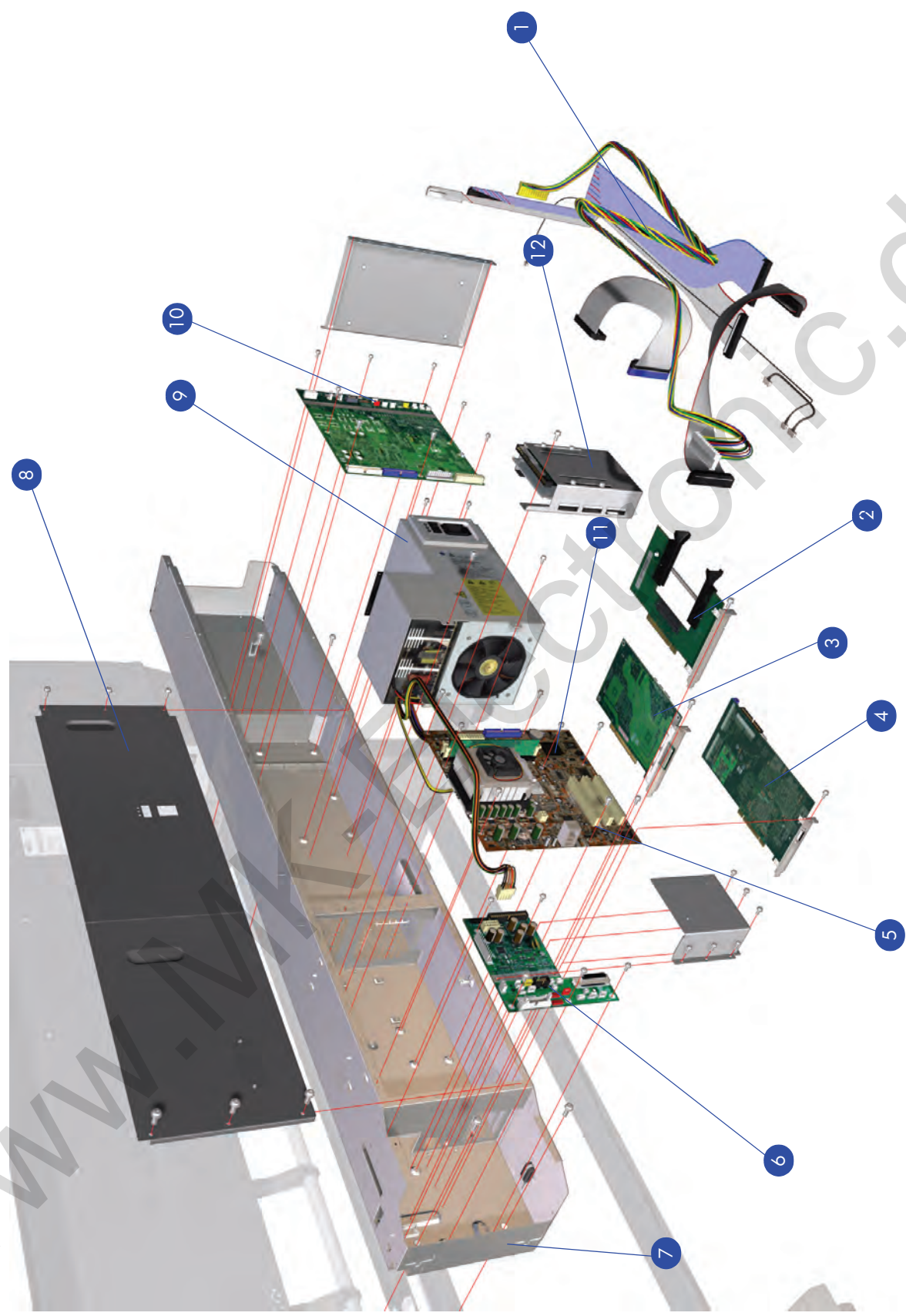


Figure 3: Electronics Module

Right Cover

Reference on Figure	HP Part Number	Part Description	Size	Page ^a
1	Q6651-60293	Right Cover (without Maintenance Cartridge Door)	All	248
2	Q6651-60318	Maintenance Cartridge Door	All	395
3	Q6651-60321	Right Trim	All	251
4	Q1273-60240	Front Panel ^b	All	276
5	Q6651-60327	Front Panel Bezel	All	276
6	Q6651-60343	Quick Reference Guide Holder	All	248

a. Refers to the page in the Removal and Installation Chapter (if applicable)

b. Including cable and ferrite cores

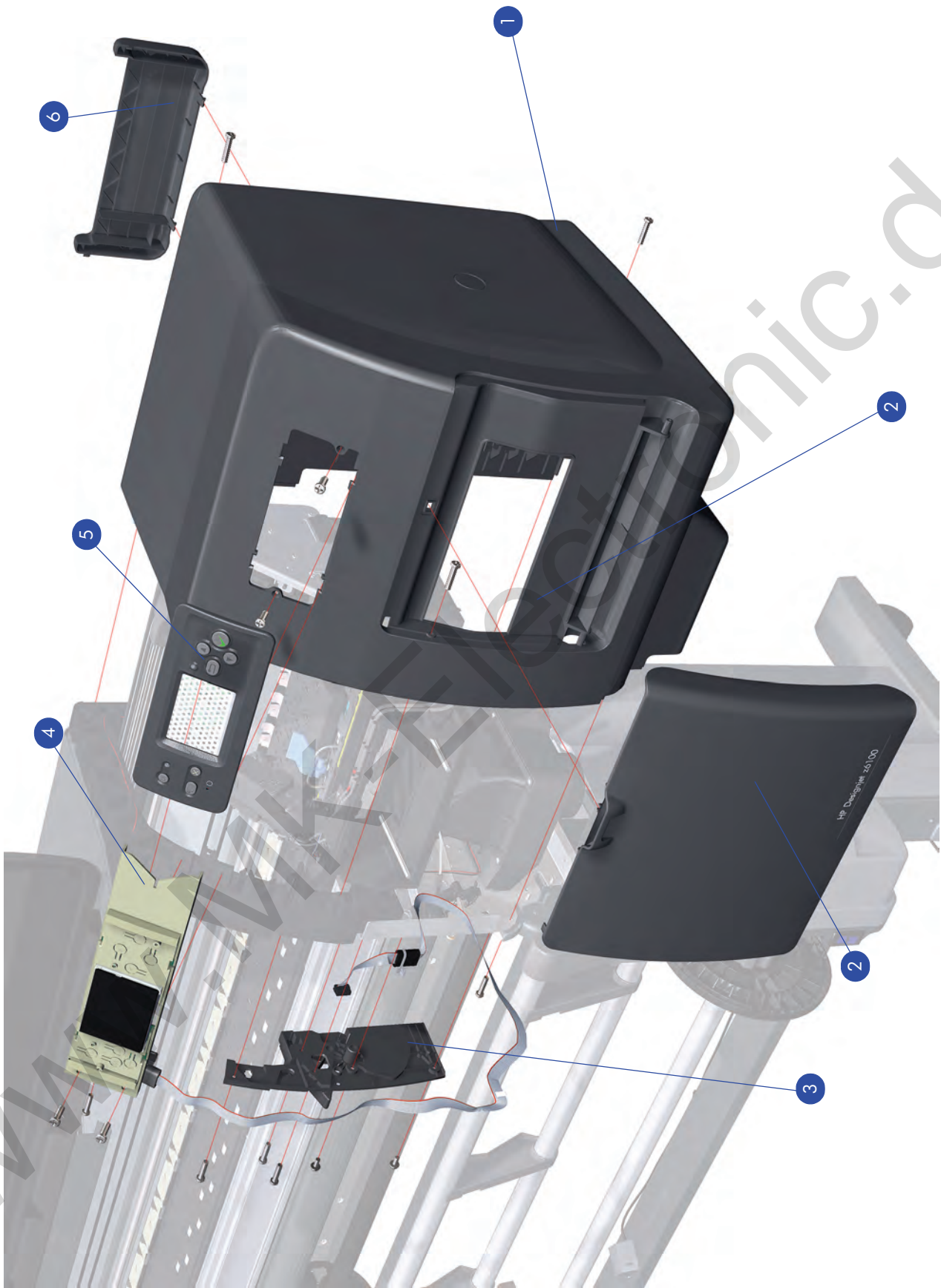


Figure 4: Right Hand Cover

Left Cover

Reference on Figure	HP Part Number	Part Description	Size	Page ^a
1	Q6651-60322	Left Trim	All	256
2	Q6651-60292	Left Cover	All	254

a. Refers to the page in the Removal and Installation Chapter (if applicable)

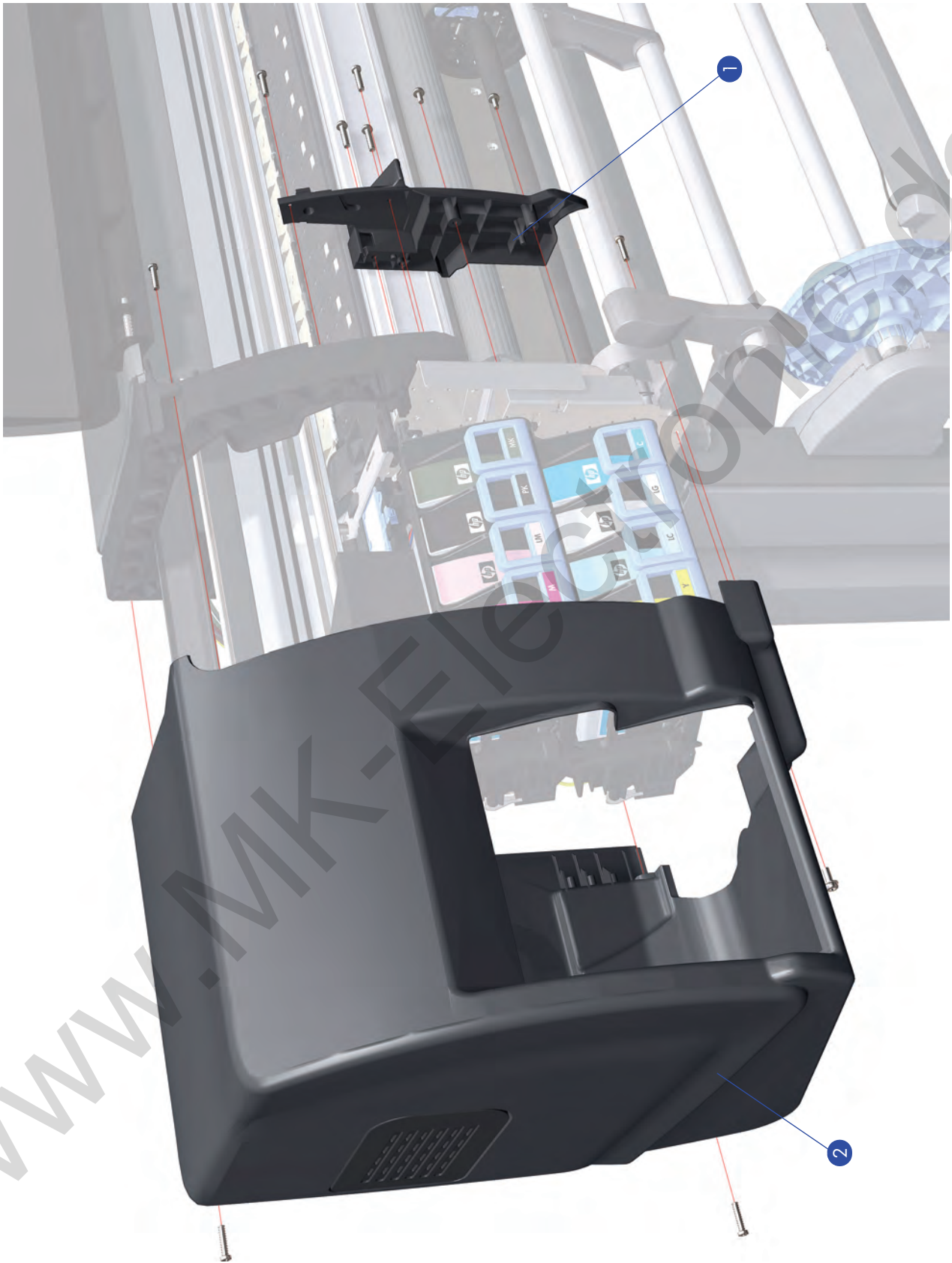


Figure 5: Left Hand Cover

Right Hand Assemblies

Reference on Figure	HP Part Number	Part Description	Size	Page ^a
1	Q1273-60086	Right Scan-Axis Bracket	All	-
2	Q6651-60284	Service Station Assembly ^b	All	284
3	Q6651-60266	Primer Valves and Primer Tubes Assembly	All	280
4	Q1273-60084	Aerosol Filter	All	291
5	Q1273-60226	Aerosol Fan Assembly	All	291
6	Q1273-60273	Service Station Cable (Includes Maintenance Cartridge Door Sensor)	All	284
7	Q6651-60286	Vacuum Fan Assembly	All	288
8	Q1273-60236	Drop Detector	All	293
9	Q6651-60265	Primer Assembly	All	278
10	Q6651-60273	Maintenance Cartridge	All	-

a. Refers to the page in the Removal and Installation Chapter (if applicable)

b. Includes Service Station Cable

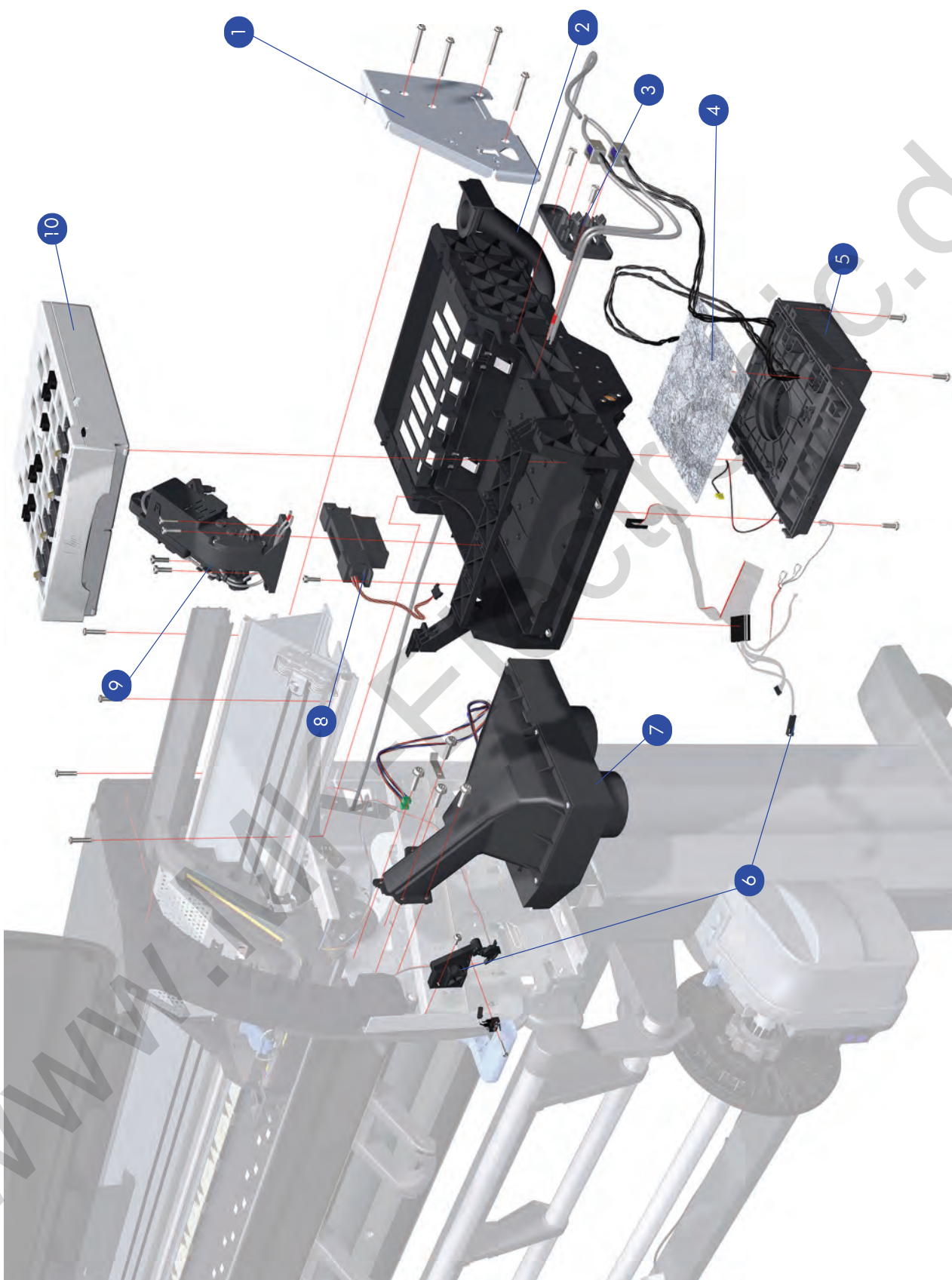


Figure 6: Right Hand Assemblies

Left Hand Assemblies

Reference on Figure	HP Part Number	Part Description	Size	Page ^a
1	Q6651-60328	Cartridge Trays	All	391
2	Q6651-60288	Lower Ink Supply Station (without APS Assembly but including Cartridge Tray)	All	305
3	Q6651-60287	Upper Ink Supply Station (without APS Assembly but including Cartridge Tray)	All	305
4	Q6651-60315	Left Scan-Axis Bracket	All	N/A
5	Q6651-60325	Left Spittoon	All	312
6	Q1273-60245	ISS to Cartridge Cable	All	N/A
7	Q6651-60300	APS Assembly ^b	42-inch	308
	Q6652-60117		60-inch	
8	Q6651-60272	Color Sensor Actuator	ALL	377
9	Q6651-60326	Blanking Plate (Spittoon)	All	315

a. Refers to the page in the Removal and Installation Chapter (if applicable)

b. Including Pump, Holder, and Relief Valve

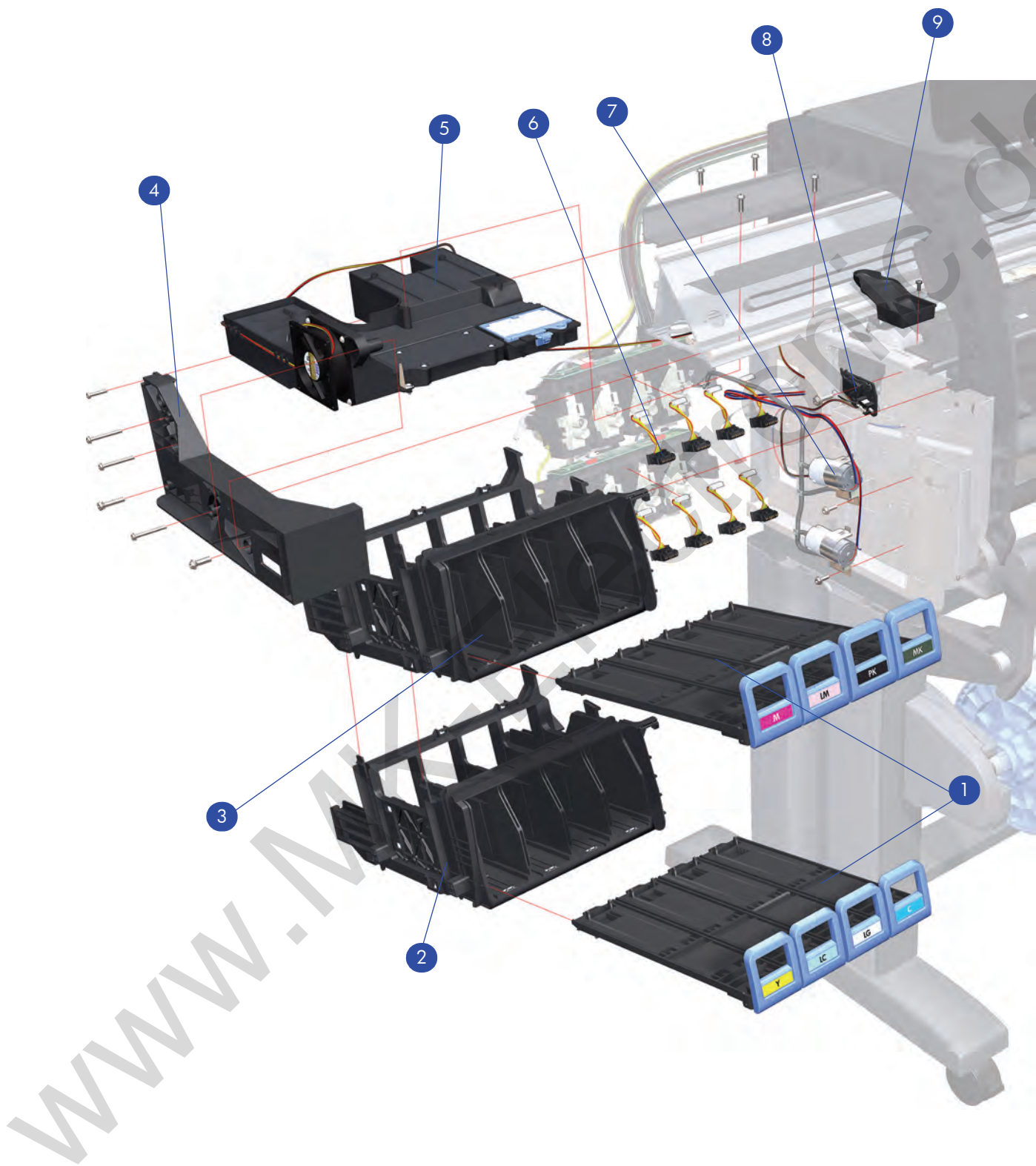


Figure 7: Left Hand Assemblies

Carriage Assembly

Reference on Figure	HP Part Number	Part Description	Size	Page ^a
1	Q6651-60297	Line Sensor Assembly ^b	All	372
2	Q1273-60239	Encoder Sensorr (Includes Encoder Strip)	42-inch	315
	Q6652-60119		60-inch	
3	Q6651-60290	Carriage Assembly ^c	All	323
4	Q1273-60271	Cutter Assembly	All	303
5	Q6651-60341	Carriage Stopper (includes Carriage Stopper Screw and Media-Axis Motor Bracket)	All	323
6	Q6651-60271	Color Sensor	All	374
7	Q6651-60335	Setup Printhead Kit	All	N/A
7	Q6651-60337	Carriage Flex Cables	All	321
9	Q6651-60338	Carriage PCA	All	318

a. Refers to the page in the Removal and Installation Chapter (if applicable)

b. Includes Line Sensor Holder and Cable

c. Does not include, Carriage PCA, Encoder Sensor, and Color Sensor

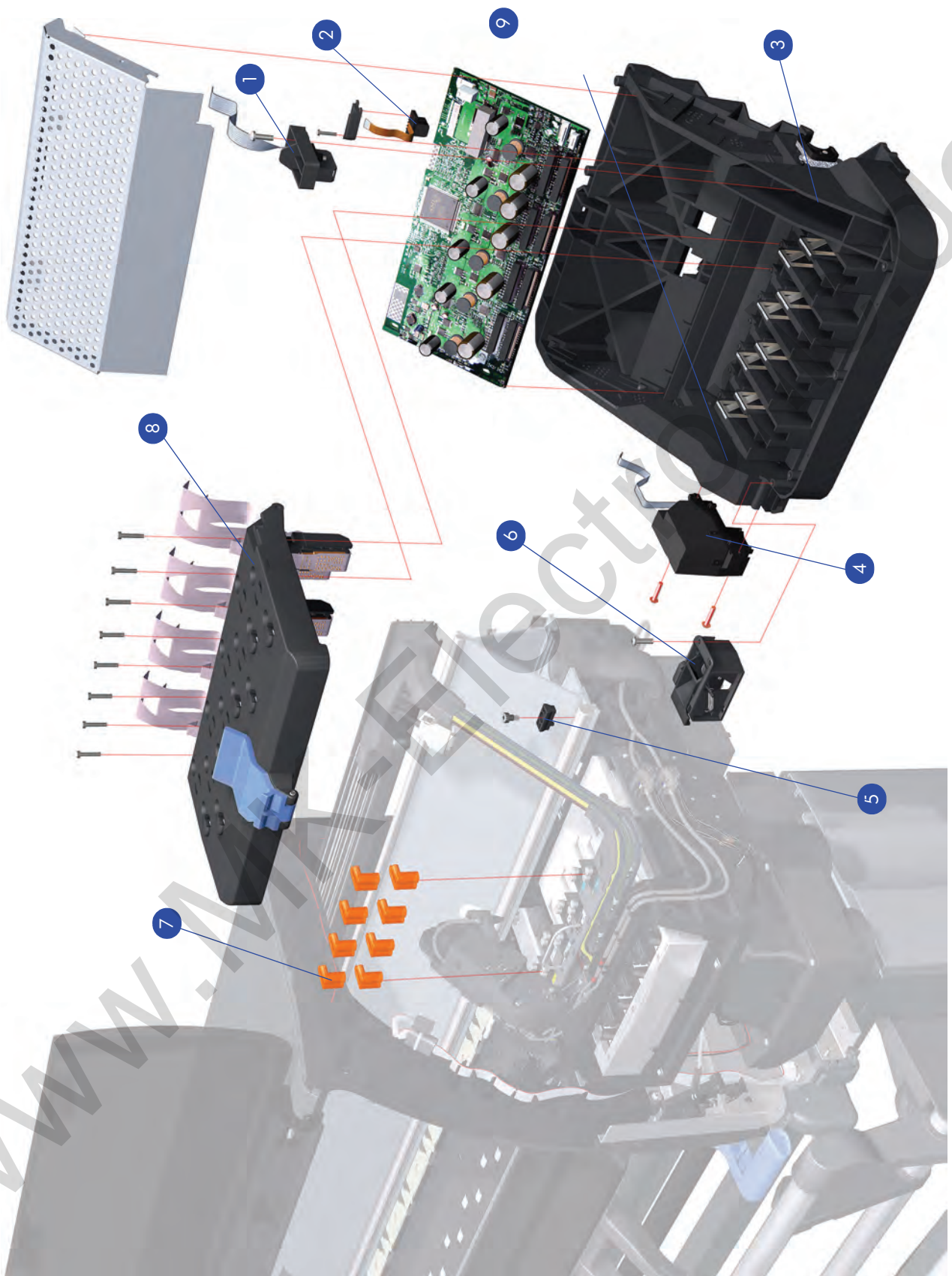


Figure 8: Carriage Assembly

Scan-Axis Assemblies

Reference on Figure	HP Part Number	Part Description	Size	Page ^a
1	Q1273-60239	Encoder Strip and Encoder Sensor Kit	42-inch	315
	Q6652-60119		60-inch	
2	Q1273-60071	Scan-Axis Motor	42-inch	330
	Q6652-60128		60-inch	
3	Q6651-60289	Ink Supply Tubes and Trailing Cable	42-inch	296
	Q6652-60112		60-inch	
4	Q6651-60334	Ink Supply Tubes Clips	42-inch	296
	Q6652-60125		60-inch	
5	Q6651-60336	Rear Tube Shelf and Brackets	42-inch	296
	Q6652-60126		60-inch	
6	Q1273-60228	Belt and Tensioner Assembly	42-inch	323
	Q6652-60118		60-inch	

a. Refers to the page in the Removal and Installation Chapter (if applicable)

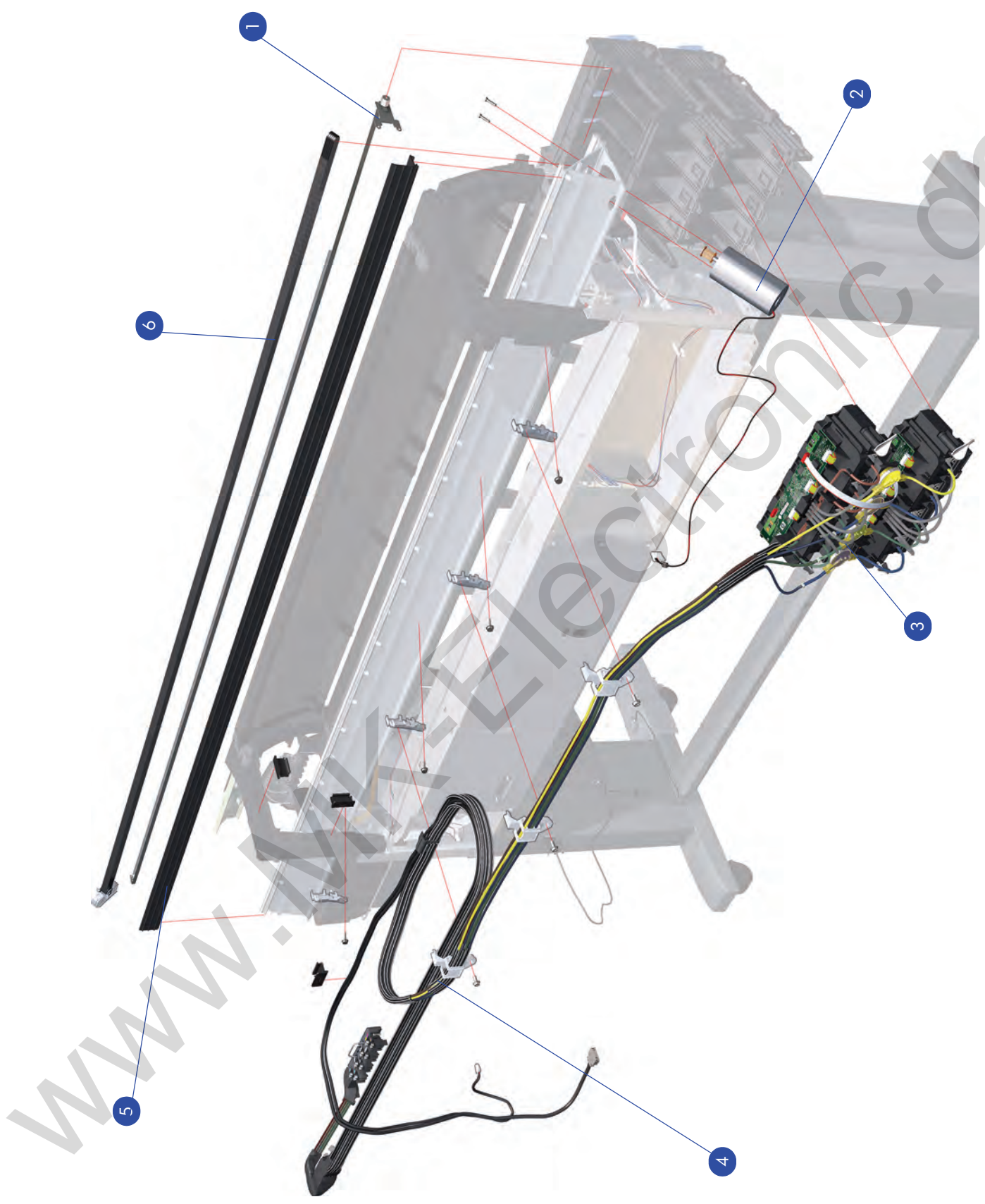


Figure 9: Scan-Axis Assemblies

Drive Roller and Media-Axis Motor

Reference on Figure	HP Part Number	Part Description	Size	Page ^a
1	Q6651-60320	Drive Roller Encoder Kit	42-inch	330
	Q6652-60123		60-inch	
2	Q1273-60242	Drive Roller Gears and Drive Roller Brake Kit	All	415
3	Q1273-60039	Drive Roller	42-inch	415
	Q6652-60109		60-inch	
4	Q1273-60247	Media Advance Drive ^b	42-inch	333
	Q6652-60108		60-inch	

a. Refers to the page in the Removal and Installation Chapter (if applicable)

b. includes Media Advance Drive Mount and Cable

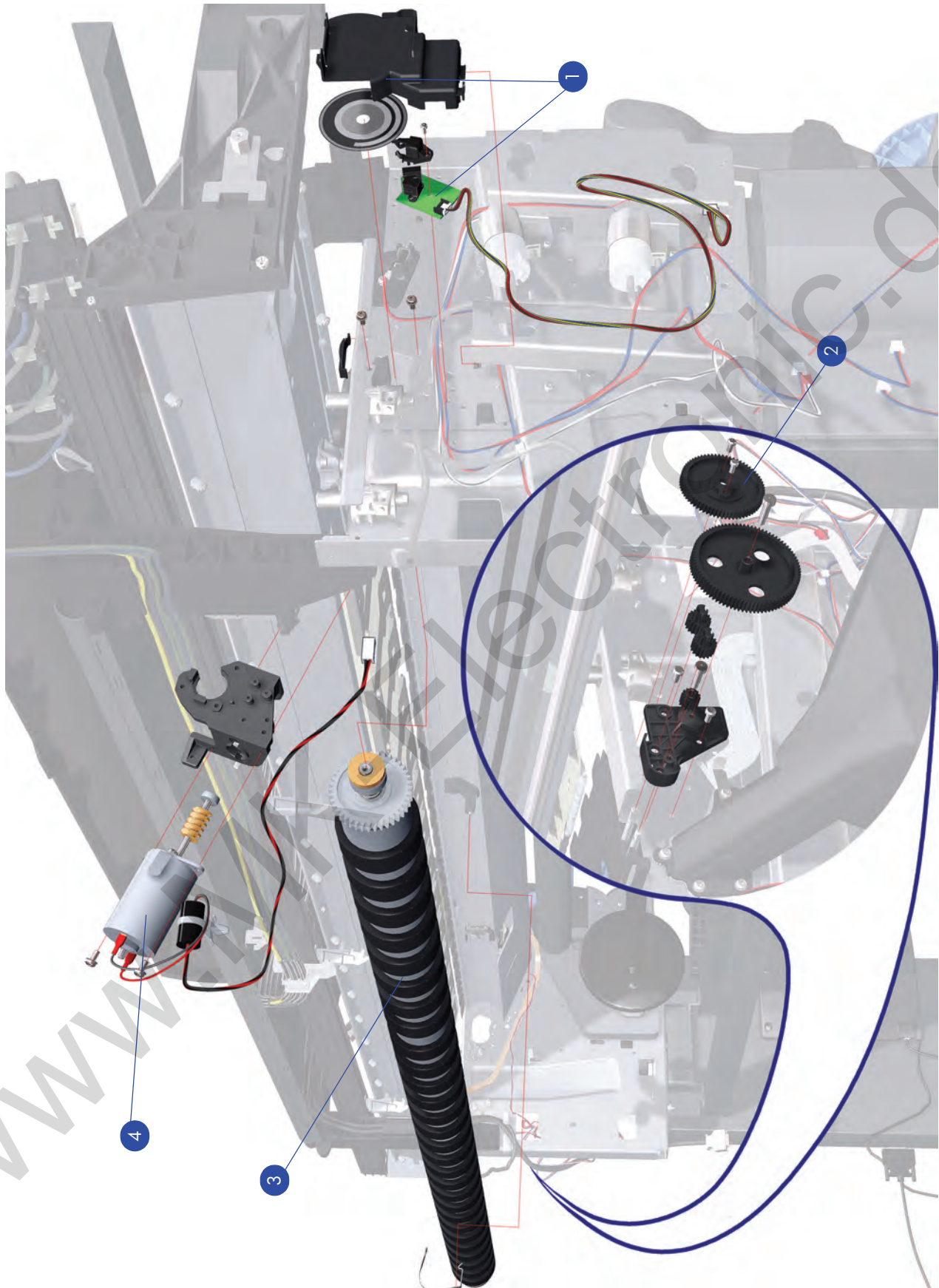


Figure 10: Drive Roller and Media-Axis Motor

Paper Path Assemblies

Reference on Figure	HP Part Number	Part Description	Size	Page ^a
1	Q6651-60281	Center Platen ^b	42-inch	382
	Q6652-60111		60-inch	
2	Q6651-60295	Front Platen	42-inch	380
	Q6652-60115		60-inch	
3	Q6652-60120	Media Deflector	All	379
4	Q1273-60103	Input Roller Lever	All	393
5	Q1273-60058	Input Roller	42-inch	393
	Q6652-60114		60-inch	
6	Q6651-60270	OMAS Module	All	335
7	Q6651-60269	OMAS Cable	All	348

a. Refers to the page in the Removal and Installation Chapter (if applicable)

b. Includes the Attachment Screw Retainer

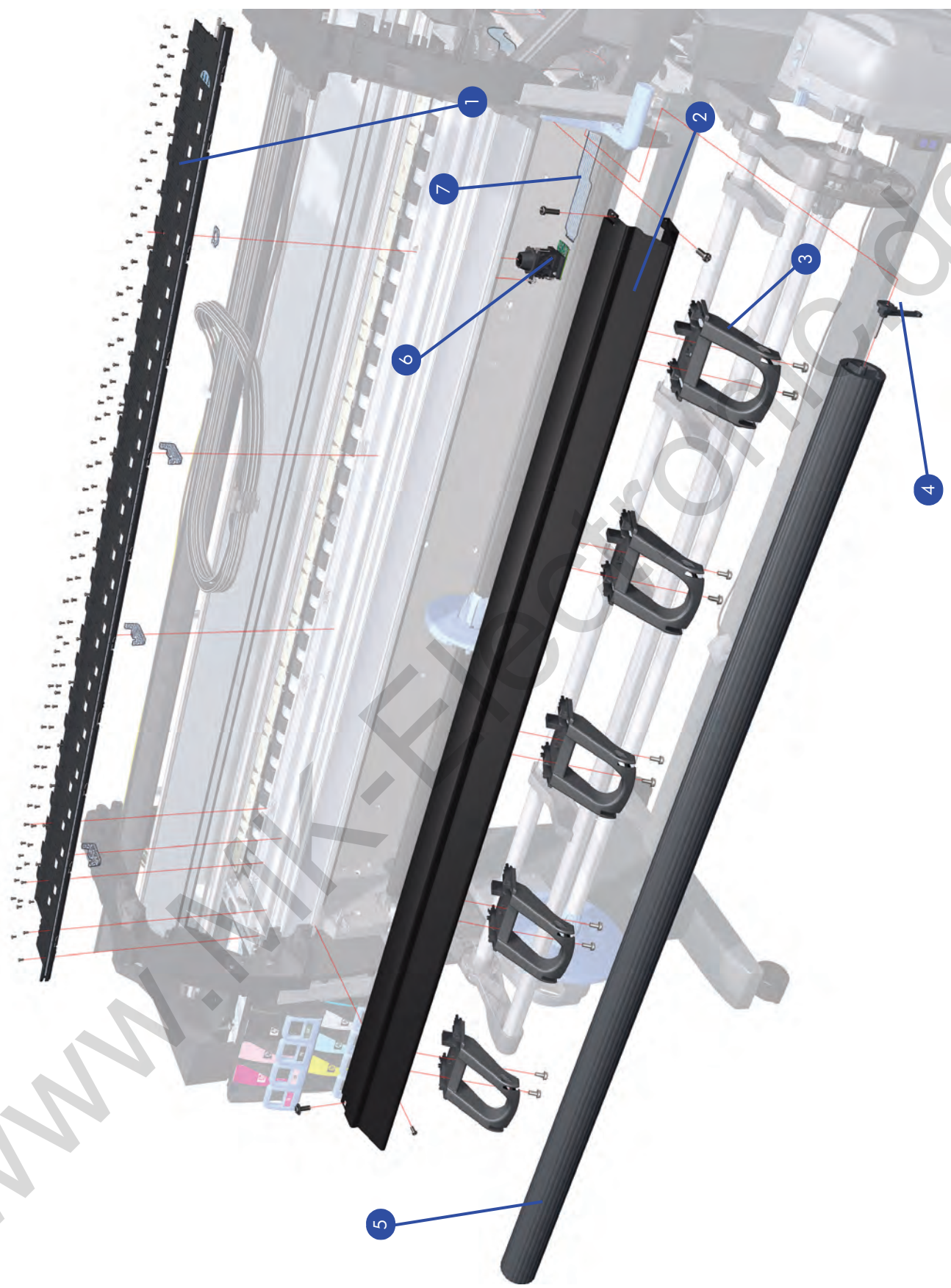


Figure 11: Paper Path Assemblies

Center Guide and Pinchwheel Assembly

Reference on Figure	HP Part Number	Part Description	Size	Page ^a
1	Q6651-60280	Complete Pinchwheel Assembly ^b	42-inch	407
	Q6652-60110		60-inch	
2	Q6651-60345	Center Guide	42-inch	412
	Q6652-60130		60-inch	
3	Q1273-60079	Media Sensor	All	397
4	Q6651-60319	Media Lever Assembly	All	402
5	Q1273-60082	Media Lever Sensor	All	405
6	Q6651-60330	Pinchwheel Kit	All	407

a. Refers to the page in the Removal and Installation Chapter (if applicable)

b. Includes Media Sensor

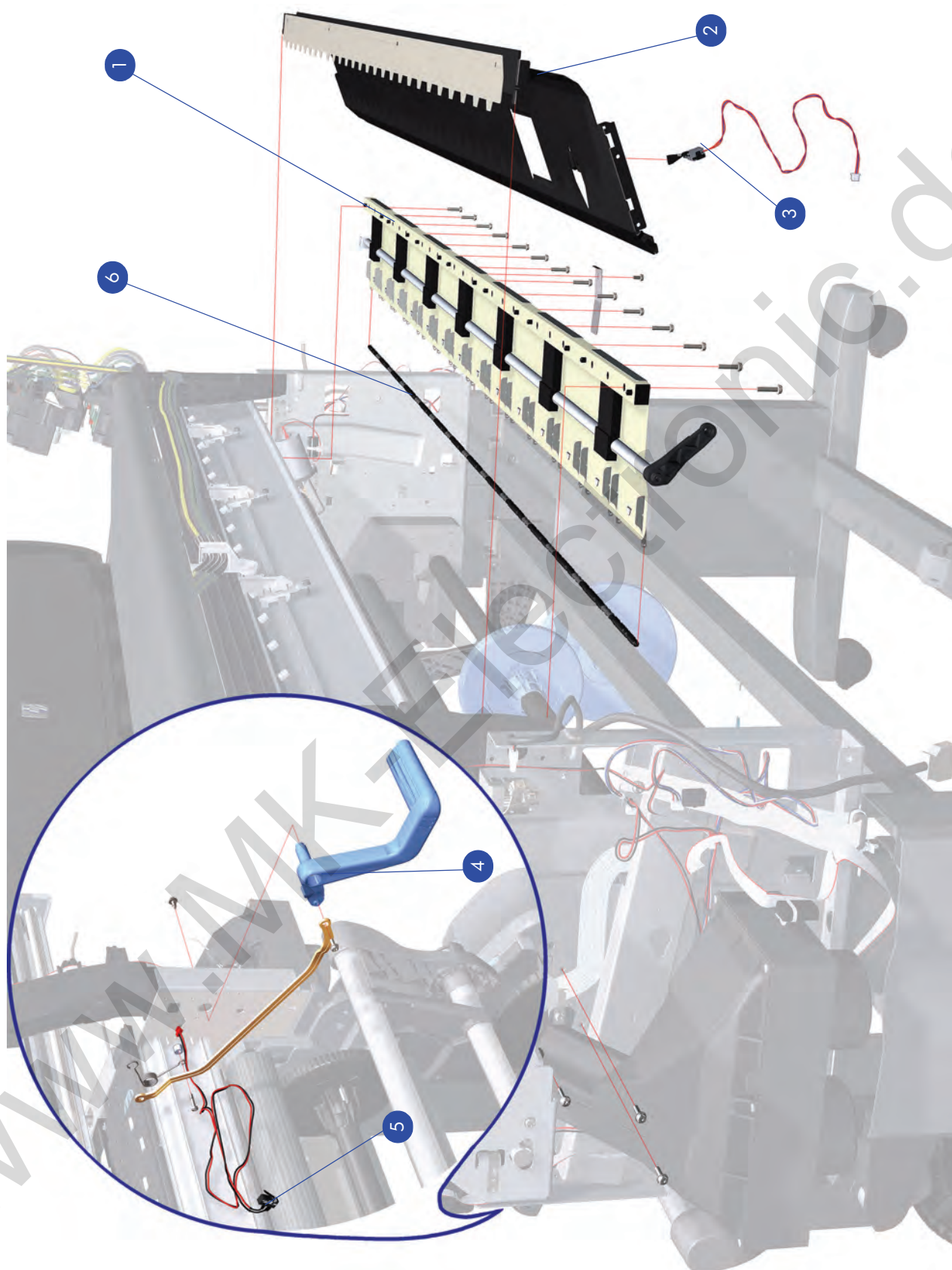


Figure 12: Center Guide and Pinchwheel Assembly

Media Entry Assemblies

Reference on Figure	HP Part Number	Part Description	Size	Page ^a
1	Q6651-60311	Right Rollfeed Module Assembly ^b	All	422
2	Q6651-60339	Spindle	42-inch	N/A
	Q6652-60127		60-inch	
3	Q6651-60610	3" Spindle Adaptor	All	N/A
4	Q6651-60274	Spindle Hub	All	N/A
5	Q1273-60274	Left Rollfeed Module Assembly	All	397

a. Refers to the page in the Removal and Installation Chapter (if applicable)

b. Includes Rewinder components



Figure 13: Media Entry Assemblies

Take-Up Reel Assembly

Reference on Figure	HP Part Number	Part Description	Size	Page ^a
1	Q6706-60902	Take-Up Reel Deflector Support Assembly	All	428
2	Q6706-60904	Take-Up Reel Motor	All	425
3	Q6706-60910	Thumbscrew	All	430
4	Q6706-60909	Take-Up Reel Receiver Sensor Housing Assembly	All	430
5	Q6706-60908	Take-Up Reel Sensors Assembly	All	430
6	Q6706-60907	Take-Up Reel Spindle Assembly ^b	42-inch	N/A
	Q6652-60903		60-inch	
7	Q6706-60905	Take-Up Reel Deflector	42-inch	428
	Q6652-60901		60-inch	
8	Q6706-60906	Take-Up Reel Tubes Assembly	42-inch	N/A
	Q6652-60902		60-inch	
-	Q6706-60901	Take-Up Reel Spindle Hubs	All	N/A

a. Refers to the page in the Removal and Installation Chapter (if applicable)

b. Not including the Take-Up Reel Spindle Hubs

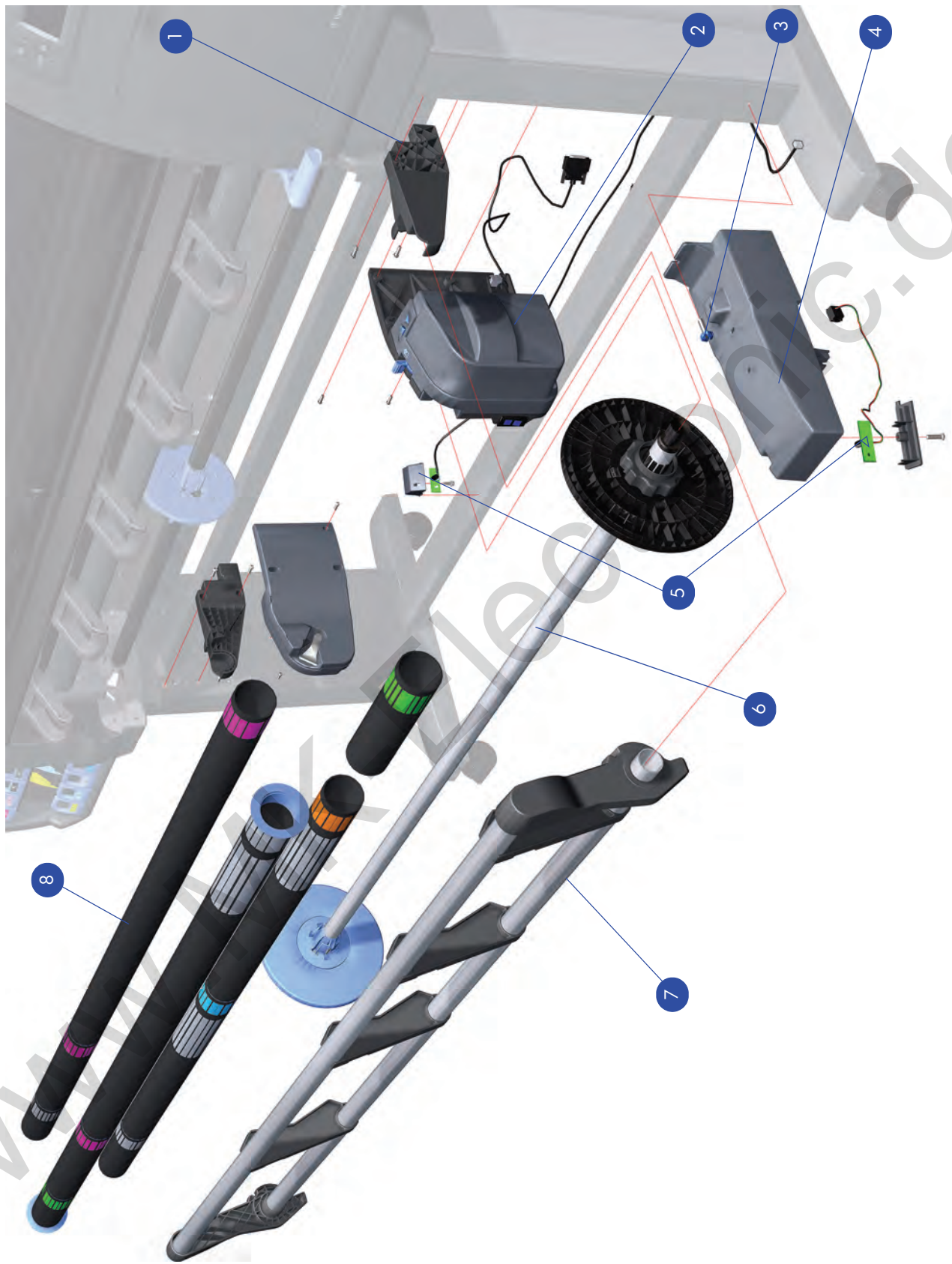


Figure 14: Take-Up Reel Assembly

Miscellaneous Parts

Reference on Figure	HP Part Number	Part Description	Size	Page ^a
1	Q1273-60097	Right Arc	All	422
2	Q1273-60098	Left Arc	All	422
-	Q6651-60296	Preventive Maintenance Kit # 1:	42-inch	N/A
-	Q6652-60116	<ul style="list-style-type: none"> • Scan-Axis Motor (see page 222) • Encoder Strip (see page 222) • Belt Assembly (see page 222) • Carriage Assembly without PCA, Cutter, and Color Sensor (see page 220) 	60-inch	
-	Q6651-60277	Preventive Maintenance Kit # 2: <ul style="list-style-type: none"> • Aerosol Filter (see page 284) • Service Station Aerosol Assembly (see page 284) • Ink Absorber (see User's Guide) • Left spittoon (see page 312) • Color Sensor (see page 374) • Line Sensor (see page 372) • Encoder Strip (see page 222) 	ALL	N/A
-	Q6651-60340	Labels Kit	All	N/A
-	Q1273-60296	2 Sheets of HP Universal Instant.dry Gloss Photo media for Service Advance Calibration and OMAS Calibration	All	N/A
-		Power Cord (2.5 meters) for Australia	All	N/A
-		Power Cord (2.5 meters) for most European Countries, Korea, Indonesia, Portugal, Germany, Spain, France, Italy and Arabic Countries	All	N/A
-		Power Cord (2.5 meters) for Singapore, Arabic Countries and United Kingdom	All	N/A
-		Power Cord (2.5 meters) for India, South Africa	All	N/A
-		Power Cord (2.5 meters) for USA, Mexico, Canada, Taiwan, Japan and Arabic Countries	All	N/A
-		Power Cord (2.5 meters) for Brazil, Thailand and Philippines	All	N/A
-		Jumper Cord for Chili, Uruguay and Argentina	All	N/A
-		Power Cord (2.3 meters) for Chili and Uruguay (final cable that is connected to 5961-3590)	All	N/A
-		Power Cord (2.3 meters) for Argentina (final cable that is connected to 5961-3590)	All	N/A
-		Power Cord (2.5 meters) for China	All	N/A

a. Refers to the page in the Removal and Installation Chapter (if applicable)



Figure 15: Arc Assemblies

www.MK-Electronic.de