

Parts and Diagrams

7

Printer Support	7-2
Center Covers (Front)	7-4
Center Covers (Rear)	7-6
Right Cover	7-8
Left Cover	7-10
Right Hand Assemblies	7-12
Left Hand Assemblies	7-14
Carriage Assembly	7-16
Scan-Axis Assemblies	7-18
Paper Path Assemblies (Front)	7-20
Paper Path Assemblies (Rear)	7-22
Miscellaneous Parts	7-24

Printer Support

Reference on Figure	HP Part Number	Part Description	Printer Model	Size	Page ^a
1	Q5669-60718	Leg Cover	All	All	N/A
2	Q5669-60716	Legs Assembly	All	All	N/A
3	Q5669-60715	Foot Assembly (includes 1 foot and 1 support tube)	All	All	N/A
4	Q5669-60719	Bin Assembly (Includes the Bin Support)	All	24 inch	N/A
	Q6659-60237			44 inch	N/A
5	Q5669-60717	X-Brace Assembly	All	24 inch	N/A
	Q6659-60236			44 inch	N/A
-	Q5669-60730	Hardware Kit (Includes screws for Legs Assembly)	All	All	N/A

^a Refers to the page in the Removal and Installation Chapter



Figure 7-1: Printer Support

Center Covers (Front)

Reference on Figure	HP Part Number	Part Description	Printer Model	Size	Page ^a
1	Q5669-60662	Window	All	24 inch	8-8
	Q6659-60172			44 inch	
2	Q5669-60656	Top Cover	All	24 inch	8-48
	Q6659-60168			44 inch	
3	Q5669-60675	Window Position Sensor	All	All	8-51
4	Q5669-60658	Media Output Assembly (revision 0)	All	24 inch	8-13
	Q6659-60169			44 inch	
	Q6683-60206	Media Output Assembly (revision 1)		24 inch	
	Q6687-60065			44 inch	
5	Q5669-60651	Front Cover	Z2100	24 inch	8-12
	Q6659-60165			44 inch	
	Q5669-67001		Z3100/ Z3100ps	24 inch	
	Q6659-67001			44 inch	
6	Q6675-60060	Front Panel	Z2100	All	8-45
	Q5669-60714		Z3100/ Z3100ps		

^a Refers to the page in the Removal and Installation Chapter

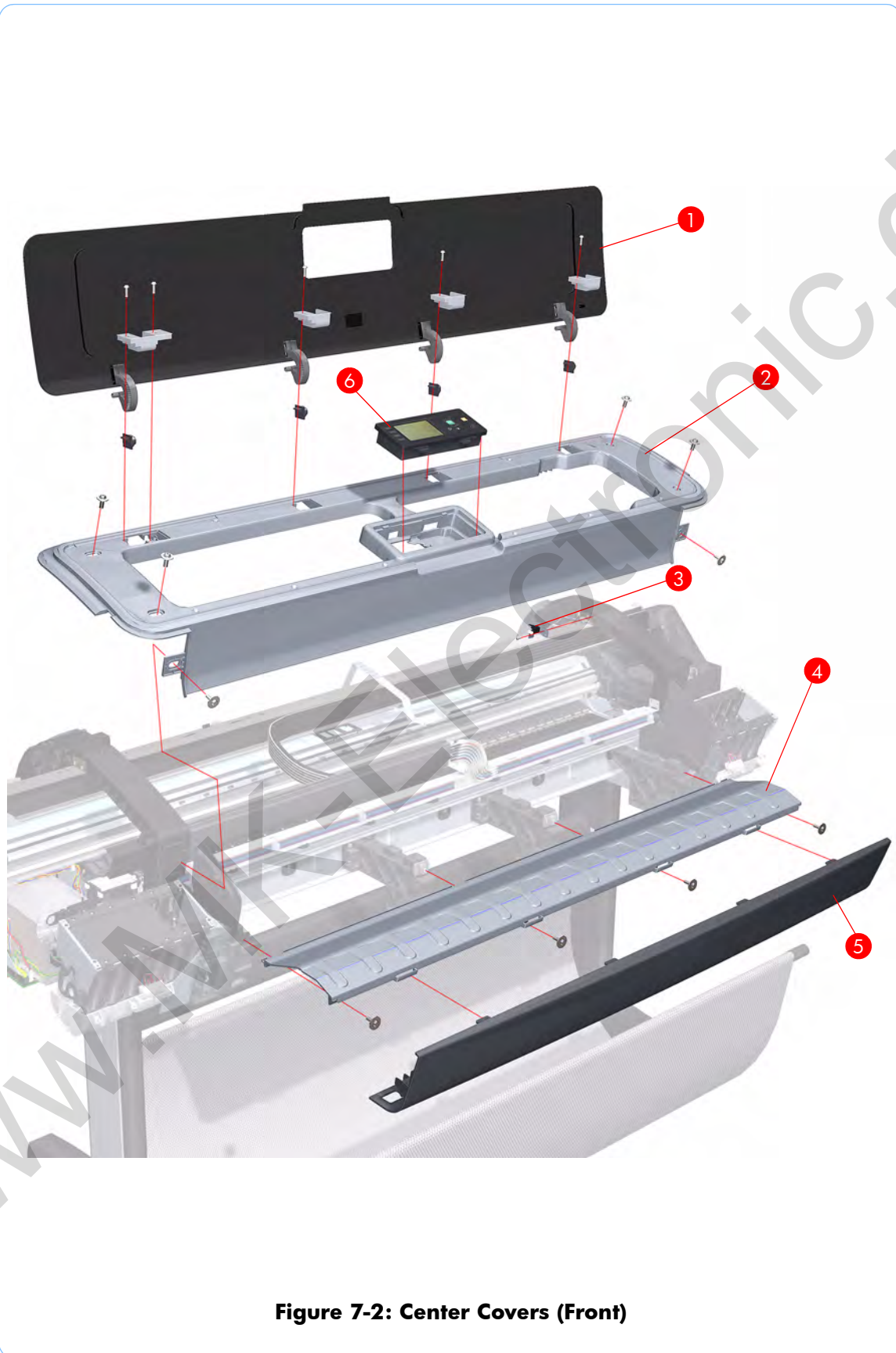


Figure 7-2: Center Covers (Front)

Center Covers (Rear)

Reference on Figure	HP Part Number	Part Description	Printer Model	Size	Page ^a
1	Q5669-60660	Rear Tray Supports	All	All	8-41
2	Q5669-60661	Clean Out Assembly	All	24 inch	8-75
	Q6659-60171			44 inch	
3	Q5669-60676	Out Of Paper Sensor	All	All	8-76
4	Q5669-60659	Rear Tray	All	24 inch	8-33
	Q6659-60170			44 inch	
5	Q5669-60650	Rear Cover	All	24 inch	8-34
	Q6659-60164			44 inch	

^a Refers to the page in the Removal and Installation Chapter

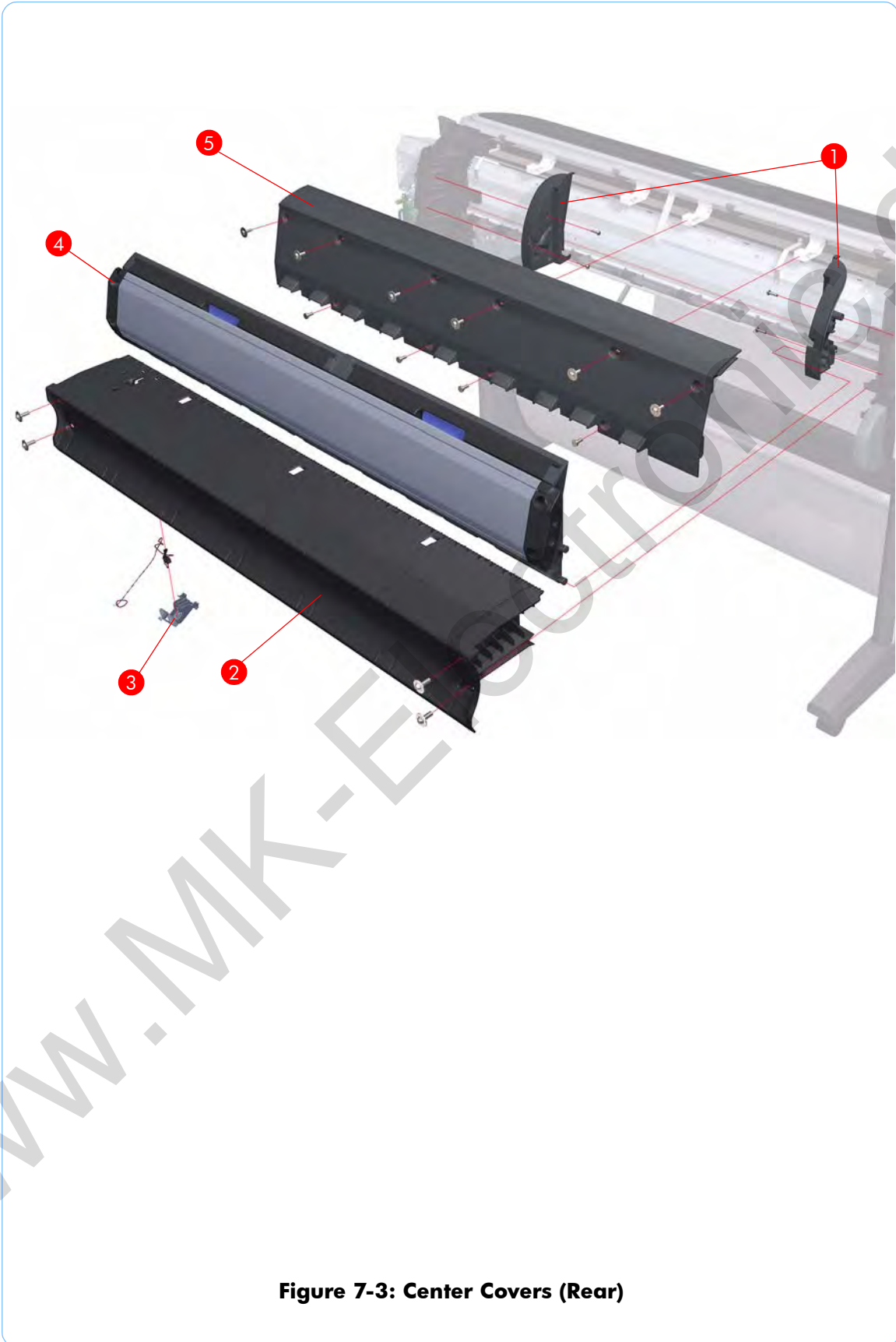


Figure 7-3: Center Covers (Rear)

Right Cover

Reference on Figure	HP Part Number	Part Description	Printer Model	Size	Page ^a
1	Q6675-60015	Right Cover (without Right Ink Cartridge Door)	Z2100	All	8-23
	Q5669-60653		Z3100/ Z3100ps		
2	Q5669-60657	Left Front Trim/Right Front Trim (Left not shown)	All	All	8-15
3	Q6675-60017	Right Ink Cartridge Door	Z2100	All	8-19
	Q5669-60655		Z3100/ Z3100ps		
	Q6675-60089		All		

^a Refers to the page in the Removal and Installation Chapter



Figure 7-4: Right Cover

Left Cover

Reference on Figure	HP Part Number	Part Description	Printer Model	Size	Page ^a
1	Q6675-60016	Left Ink Cartridge Door	Z2100/ Z3100	All	8-21
	Q6675-60088		All		
2	Q5669-60657	Left Front Trim/Right Front Trim (Right not shown)	All	All	8-17
3	Q6675-67003	Left Side Panel	Z2100	All	8-26
	Q5669-67003		Z3100/ Z3100ps		
4	Q6675-60014	Left Cover (without Left Ink Cartridge Door)	Z2100	All	8-26
	Q5669-60652		Z3100/ Z3100ps		

^a Refers to the page in the Removal and Installation Chapter



Figure 7-5: Left Cover

Right Hand Assemblies

Reference on Figure	HP Part Number	Part Description	Printer Model	Size	Page ^a
1	Q6675-60043	Carriage Rail Oiler	All	All	8-108
2	Q5669-60677	Pen to Paper Space (PPS) Solenoid	All	All	8-70
3	Q5669-60674	Scan-Axis Motor	All	All	8-104
4	Q6675-60018	PrintMech PCA	All	All	8-68
5	Q5669-60667	Service Station Spittoon	All	All	8-57
6	Q5669-60665	Primer Assembly	All	All	8-64
7	Q5669-60664	Aerosol Fan Assembly	All	All	8-62
8	Q6675-60059	Service Station (Includes Drop Detector, Aerosol Fan Assembly, Primer Assembly, and Service Station Spittoon)	Z2100	All	8-57
	Q5669-67002		Z3100/ Z3100ps		
9	Q5669-60666	Drop Detector	All	All	8-61
10	Q6675-60020	Right Ink Supply Station	Z2100	All	8-131
	Q5669-60670		Z3100/ Z3100ps		

^a Refers to the page in the Removal and Installation Chapter

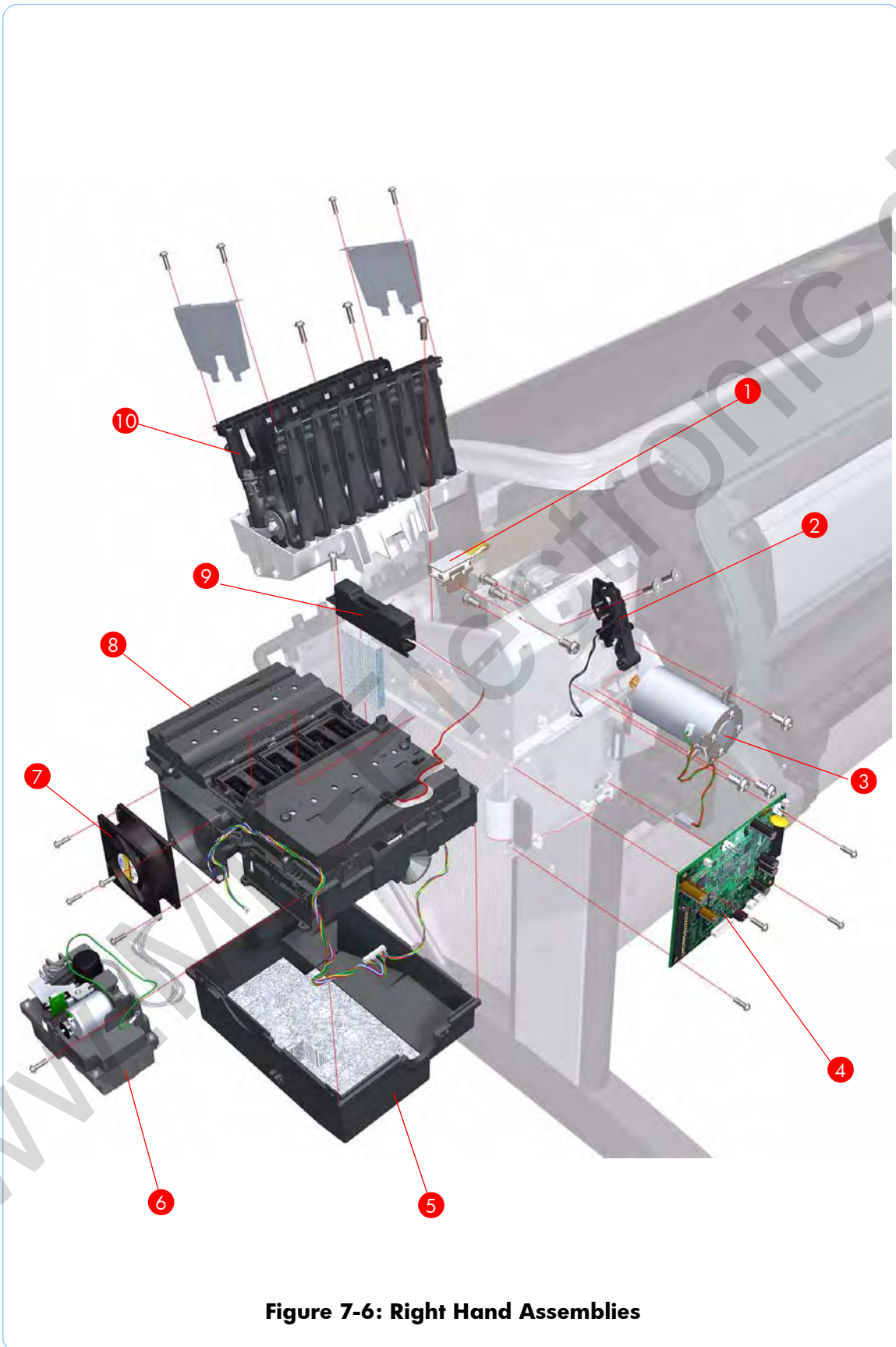


Figure 7-6: Right Hand Assemblies

Left Hand Assemblies

Reference on Figure	HP Part Number	Part Description	Printer Model	Size	Page ^a
1	Q6675-60019	Left Ink Supply Station	Z2100	All	8-135
	Q5669-60669		Z3100/ Z3100ps		
2	Q5669-60697	Starwheel Motor	All	All	8-184
3	Q5669-60703	Encoder Sensor	All	All	8-159
4	Q5669-60702	Encoder Disk	All	All	8-159
5	Q5669-60700	Media Advance Transmission	All	All	8-162
6	Q5669-60704	Media Advance Drive	All	All	8-162
7	Q5669-60693	Power Supply Unit (PSU) Assembly	All	All	8-151
8	Q6675-60023	Main PCA with Power Supply Unit (PSU) Assembly	All	24 inch	8-151
	Q6677-60008			44 inch	
9	Q6675-60086	Formatter	Z2100	All	8-57
	Q5669-67010		Z3100		
	Q5670-60011		Z3100ps		
10	Q5669-60705	Media Lever	All	All	8-35
11	Q5669-60706	Media Lever Position Sensor	All	All	8-38
12	Q5669-60709	Left Spittoon	All	All	8-157

^a Refers to the page in the Removal and Installation Chapter

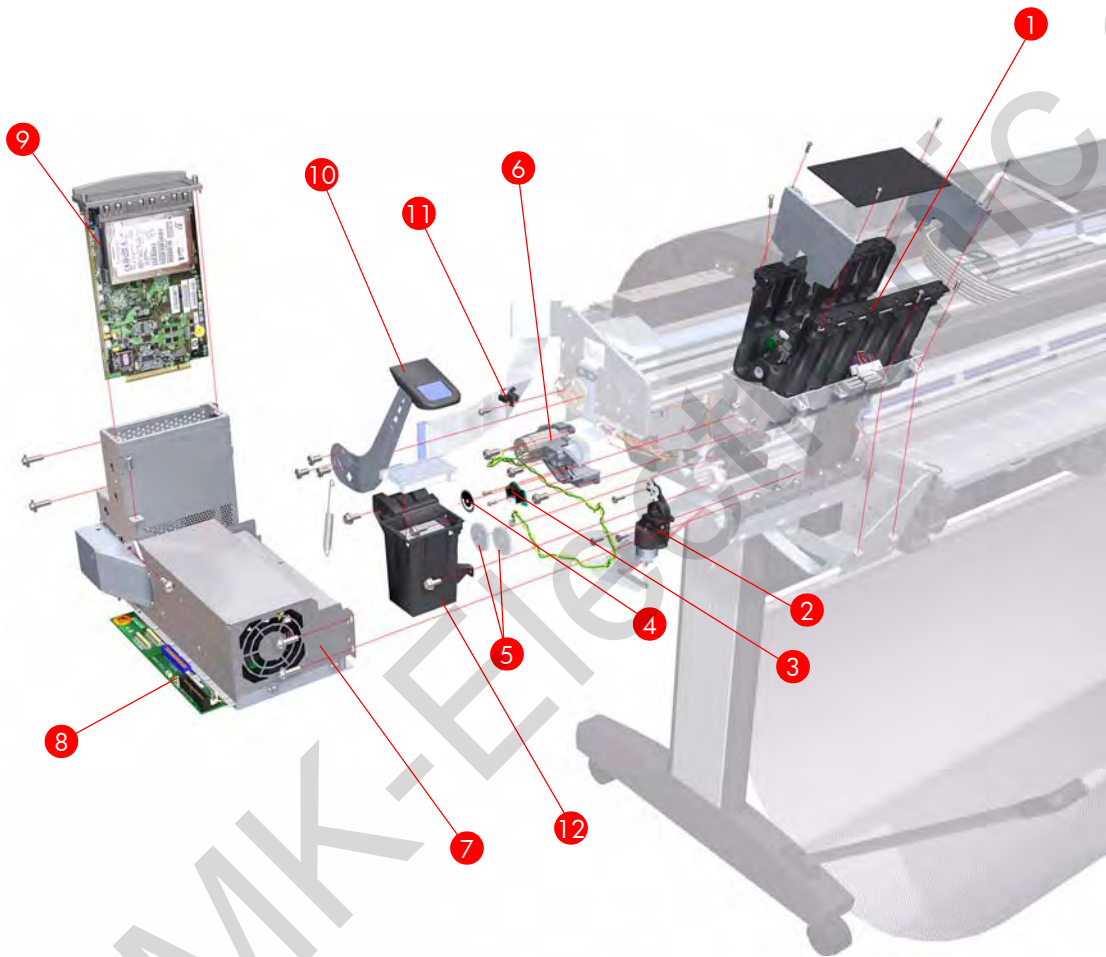


Figure 7-7: Left Hand Assemblies

Carriage Assembly

Reference on Figure	HP Part Number	Part Description	Printer Model	Size	Page ^a
1	Q5669-60689	Carriage PCA Covers	All	All	8-92
2	Q5669-60685	Carriage Latch	All	All	8-121
3	Q5669-60686	Carriage Cover (includes Carriage Latch)	All	All	8-121
4	Q5669-60682	Carriage PCA	All	All	8-126
5	Q5669-60687	Carriage Rear Bushing	All	All	8-101
6	Q5669-60683	Line Sensor	All	All	8-116
7	Q5669-60684	Color Sensor (ESP)	All	All	8-110
	Q5669-60680	Carriage Assembly (includes: Line Sensor, Carriage Latch, Carriage Cover, Carriage PCA, and Color Sensor (ESP))(NO Trailing Cable)	Z2100	All	8-92
	Q6675-60022		Z3100/ Z3100ps		
	Q6675-67007	Carriage Assembly (same as standard Carriage Assembly but includes Trailing Cable)	Z2100	24 inch	
	Q6677-67001		Z2100	44 inch	
	Q5669-67005		Z3100/ Z3100ps	24 inch	
	Q6659-67002		Z3100/ Z3100ps	44 inch	

^a Refers to the page in the Removal and Installation Chapter

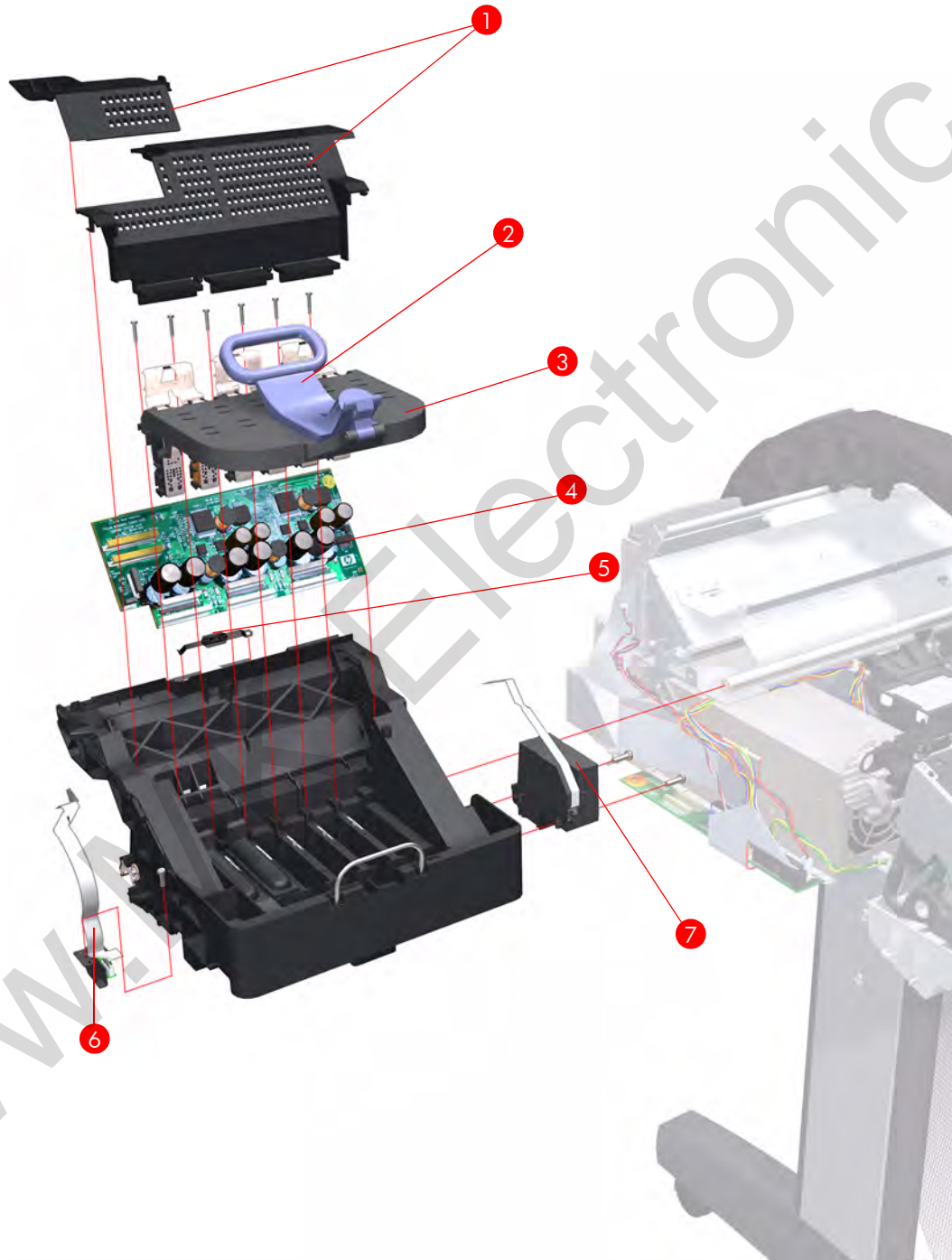


Figure 7-8: Carriage Assembly

Scan-Axis Assemblies

Reference on Figure	HP Part Number	Part Description	Printer Model	Size	Page ^a
1	Q6675-60021	Ink Supply Tubes	Z2100	24 inch	8-139
	Q5669-60671		Z3100/ Z3100ps		
	Q6677-60007		Z2100	44 inch	
	Q6659-60174		Z3100/ Z3100ps		
2	Q6675-60071	Encoder Strip (including Encoder Strip Spring and Nut)	All	24 inch	8-81
	Q6677-60024			44 inch	
3	Q5669-60673	Belt Assembly	All	24 inch	8-103
	Q6659-60175			44 inch	
4	Q5669-60672	Belt Tensioner	All	All	8-103
5	Q5669-60681	Trailing Cable	All	24 inch	8-81
	Q6659-60177			44 inch	
-	Q5669-60679	Encoder Strip (including Encoder Strip Spring and Nut) - 50 units	All	24 inch	8-81
	Q6659-60176			44 inch	

^a Refers to the page in the Removal and Installation Chapter

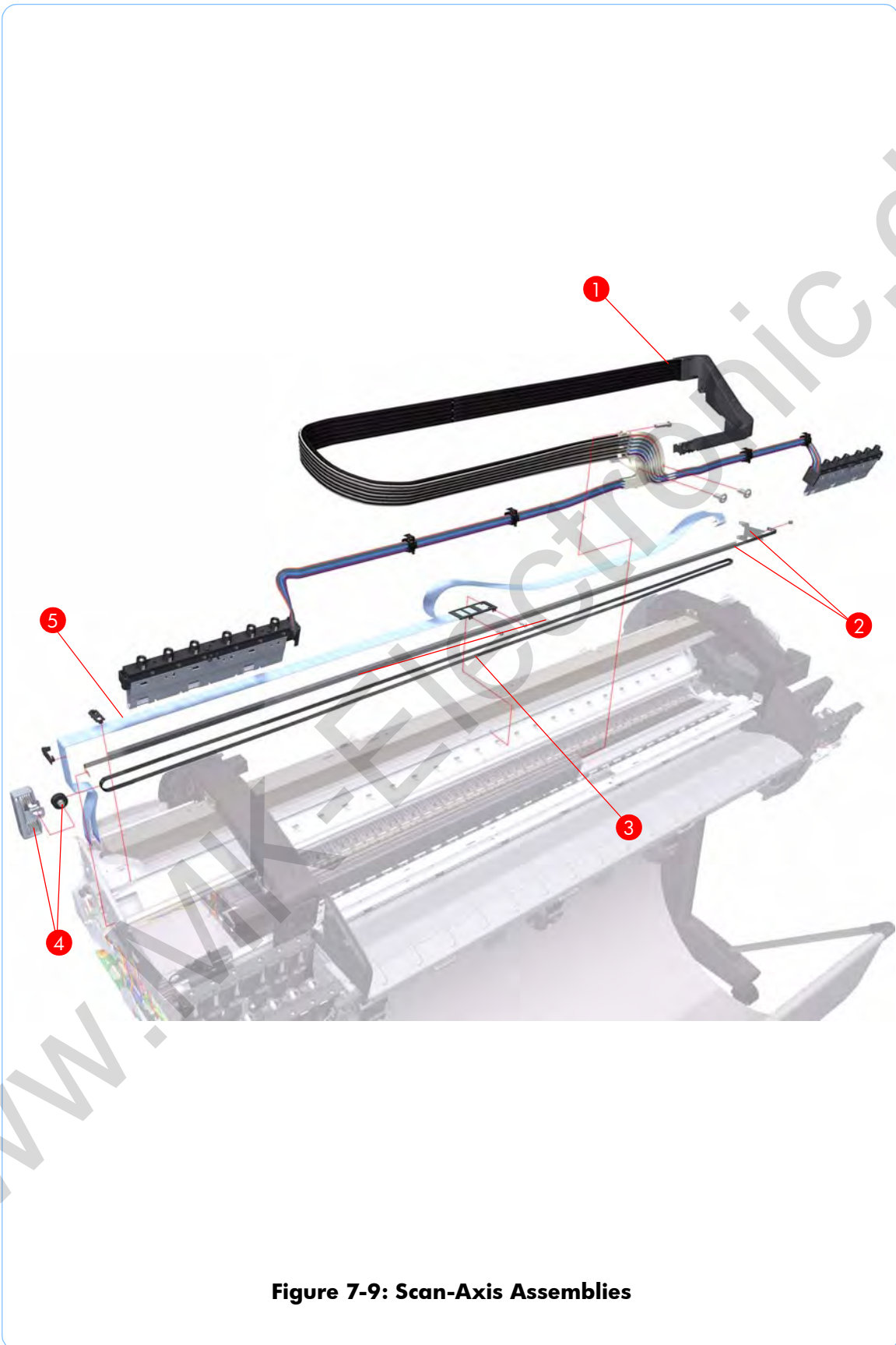


Figure 7-9: Scan-Axis Assemblies

Paper Path Assemblies (Front)

Reference on Figure	HP Part Number	Part Description	Printer Model	Size	Page ^a
1	Q5669-60696	Starwheel Assembly	All	24 inch	8-151
	Q6659-60180			44 inch	
2	Q6675-60042	Print Zone Overdrive	All	24 inch	8-153
	Q6677-60018			44 inch	
3	Q5669-60698	Starwheel Lifter	All	All	8-179
4	Q5669-60713	Cutter Assembly	All	All	8-40
5	Q5669-60701	Full Bleed Foam Kit	All	24 inch	8-186
	Q6659-60182			44 inch	

^a Refers to the page in the Removal and Installation Chapter

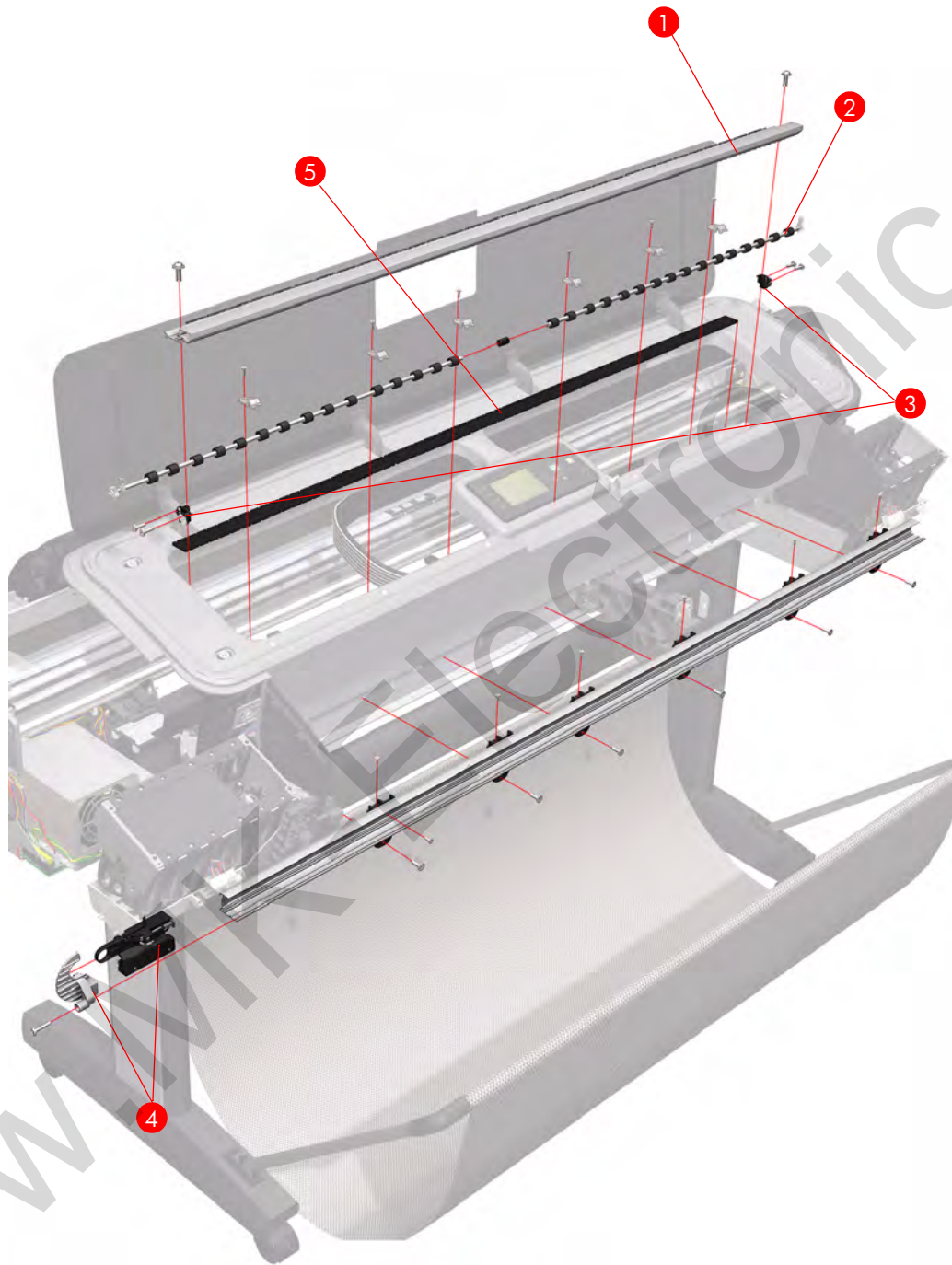


Figure 7-10: Paper Path Assemblies (Front)

Paper Path Assemblies (Rear)

Reference on Figure	HP Part Number	Part Description	Printer Model	Size	Page ^a
1	Q5669-60708	Pinch Roller	All	All	8-178
2	Q5669-60707	Pinchwheel Assembly	All	All	8-173
3	Q6677-60019	Left Roll Guide	All	44 inch	8-79
4	Q5669-60711	Left Spindle Holder	All	All	8-73
5	Q5669-60710	Spindle	All	24 inch	8-72
	Q6659-60183			44 inch	
5	Q6677-60028	Tech 44 Spindle (for increased back tension)	All	44 inch	8-72
6	Q5669-60712	Right Spindle Holder	All	All	8-74
7	Q6675-60044	Right Roll Guide	All	All	8-80
8	Q5669-60699	Media Advance Roller	All	24 inch	8-167
	Q6659-60181			44 inch	
-	Q6675-60093	3 inch Spindle Adaptor Kit	All	All	N/A

^a Refers to the page in the Removal and Installation Chapter

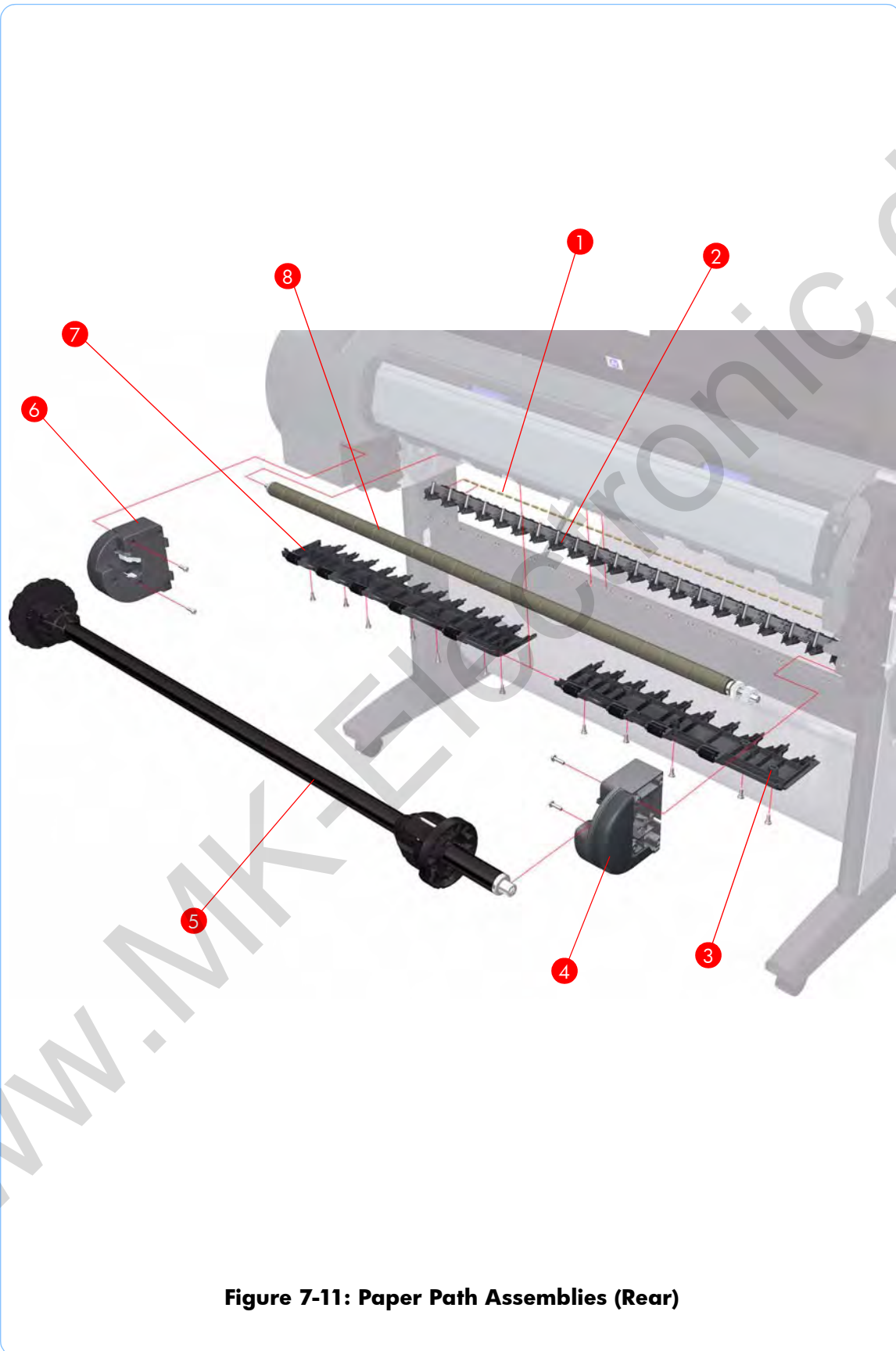


Figure 7-11: Paper Path Assemblies (Rear)

Miscellaneous Parts

HP Part Number	Part Description	Printer Model	Size
Q6675-60032	Preventive Maintenance Kit #1	Z2100	24 inch
Q5669-60748		Z3100/ Z3100ps	
Q6677-60015		Z2100	44 inch
Q6659-60189		Z3100/ Z3100ps	
Q6675-67012	Preventive Maintenance Kit #2	All	All
Q5669-67008			
Q5669-60722	Preventive Maintenance Kit #3	All	All
Q6675-60092	Harness Cables (includes Left ISS, Right ISS, Printmech PCA 24 inch and 44 inch)	All	All
Q5669-60690	Flex Contacts Cleaning Tool	All	All
Q5669-60691	Pinchwheel Insertion Tool	All	All
Q5669-60692	Lubrication Kit	All	All
Q6675-60068	Serial Number Label	All	All
Q6675-67004	Ink System Purgers (6 Units)	All	All
Q6675-67005	Ink System Purgers (100 Units)	All	All
Q6675-67006	Double Sided Adhesive Pad	All	All
Q6675-67008	Z3100/Z2100 Tool Kit	All	All