



Electronics/Power Supply

Cable Kit

C7770-60267 Ribbon cable kit - Includes installation instructions and ribbon cable with ferrite - Cable has 40 pin (F) connectors - 2.0m (6.5ft) long

Control Panel

C7769-60161 Control panel assembly - Includes ribbon cable and english overlay marked with 'Menu', 'Back', 'Enter', 'Cancel', and 'Form feed and cut'

Fan

C7769-60150 Vacuum fan assembly - Installed under the main printer chassis

Interface

Q1261-60015 Interface board - Connect the Copier electronics to the DesignJet 800PS electronics

Q1278-60015 Interface board

Memory (DIMM)

C7769-60244 64MB SO-DIMM memory module - Can be Installed ONLY into the Formatter Board

C7769-60245 128MB SO-DIMM memory module - Can be Installed ONLY into the Formatter Board

Module

C7779-69144 Electronics module - Contains main logic board, connectors for plug-in cards, connector for parallel interface cable, connector for USB cable, and cooling fan
REQUIRES RETURN OF DEFECTIVE PART

C7779-60144 *New Part for C7779-69144*

Motor

Q1261-60018 Stepper Motor Assembly - Drives the Media Feed Roller

Q1261-60052 Camera Drive Motor - Drives the both of the Imaging Cameras

PC Board

C7769-60173 Interconnect PC board - Installed in right-side of printer

C7769-69300 Formatter PC board - Plugs into EIO card slot
REQUIRES RETURN OF DEFECTIVE PART

C7769-60300 *New Part for C7769-69300*

Q1261-60011 Camera Drive Board - Controls the operation of the Camera PC Boards

Q1261-60013 Camera PC Board - Attaches to the Camera Imaging Lens - Two used

Q1278-60002 Main logic PC board

Power Cord

8120-0698 Power cord (Black) - 18 AWG, 2.3m (7.5ft) long - Has straight (F) receptacle (For 220V/240V in the USA and Canada)

8120-1351 Power cord (Mint Gray) - 17 AWG, 2.3m (7.5ft) long - Has straight (F) receptacle (For 240V in the UK, Hong Kong, Singapore, Malaysia, and Brunei)

8120-1369 Power cord (Mint Gray) - 17 AWG, 2.0m (6.6ft) long - Has straight (F) receptacle (For 240V in Australia, New Zealand, and China)

8120-1378 Power cord (Jade Gray) - 18 AWG, 2.3m (7.5ft) long - Has straight (F) receptacle (For 120V in USA, Canada, Latin America, Korea, Taiwan, Thailand, Spain, Brazil, and Vietnam)

8120-1689 Power cord (Mint Gray) - 17 AWG, 2.0m (6.6ft) long - Has straight (F) receptacle (For 220V in Europe, Bangladesh, Indonesia, Pakistan, Burma, Sri Lanka, and Vietnam)

8120-2104 Power cord (Mint Gray) - 2.0m (6.6ft) long - Has straight (F) receptacle (For 220V in Switzerland)

8120-2956 Power cord (Mint Gray) - 2.0m (6.6ft) long - Has straight (F) receptacle (For 220V in Denmark)

8120-4211 Power cord (Mint Gray) - 17 AWG, 2.0m (6.6ft) long - Has straight (F) receptacle (For 240V in South Africa and India)

Power Supply

C7769-60145 Power supply assembly - Includes power switch

Q1261-60001 Power Supply - 100V - 240V 50/60Hz - Includes power switch, connecting cable, and installation tool kit



Electronics/Power Supply

Sensor

C7769-60168	Media sensor - Installed in the front of the rear platen
C7769-60172	Drive roller encoder sensor - Installed on left end of paper drive roller
C7769-60194	Pincharm sensor - Installed in right front of print chassis

External Case Parts

Cover

29	Q1278-60003	Copier top cover panel
30	Q1278-60004	Copier left cover panel
31	Q1278-60005	Copier right cover panel
32	Q1278-60006	Copier rear cover panel
33	Q1278-60007	Top profile cover panel

External Parts/Hardware

Card

34	Q1261-60045	Smart card
----	-------------	------------

Card Reader

35	Q1261-60046	Card reader assembly
----	-------------	----------------------

Guide

36	Q1261-60036	Paper Guide - Guides the media into the scanner - Two used
37	Q1278-60010	Guide Plate - Guides the media into the scanner

Keyboard

38	Q1279-60005	Keyboard (English)
39	Q1279-60006	Keyboard (French)
40	Q1279-60007	Keyboard (Italian)
41	Q1279-60008	Keyboard (German)
42	Q1279-60009	Keyboard (Spanish)
43	Q1279-60010	Keyboard (Portuguese)
44	Q1279-60011	Keyboard (Chinese)
45	Q1279-60012	Keyboard (Taiwanese)
46	Q1279-60013	Keyboard (Japanese)

Monitor

47	Q1278-69008	Touch screen monitor REQUIRES RETURN OF DEFECTIVE PART
	Q1278-60008	<i>New Part for Q1278-69008</i>

Nameplate/Logo

Q1280-60003	DesignJet Scanner 4200 nameplate
-------------	----------------------------------

Other Internal Parts

Belt

49	Q1261-60029	Drive Belt - Drives the feed roller assembly
----	-------------	--

Fan Assembly

50	Q1261-60020	Fan Assembly
----	-------------	--------------

Glass Assembly

51	Q1261-60010	Glass Plate - Covers the fluorescent lamp
----	-------------	---



Other Internal Parts

Lamp

52 Q1261-60027 Fluorescent Lamp

Lens

53 Q1261-60034 Camera Imaging Lens - Two used

Mirror

54 Q1278-60009 Mirror Chassis

Reference

55 Q1261-60026 White reference assembly - White plastic item used to calibrate the scanner assembly and applies pressure to the top of the document as it moves across the scanner glass

Reflector Assembly

56 Q1278-60011 Reflector Assembly

Retainer

57 Q1261-60008 Stitching Wire - Retaining clips that hold the Reflector Assembly

Roller

58 Q1261-60025 Media Feed Roller - Feeds media into the copier - One used

Sensor

59 Q1261-60012 Lamp Sensor - Monitors the status of the fluorescent lamp

60 Q1261-60017 Media Sensor - Detects the presence of media in the copier - Two used

61 Q1261-60021 Thickness Sensor - Measures the thickness of the media - Two used

62 Q1261-60033 Media Detector Wires - Acts as a sensor to detect the presence of media

Shield

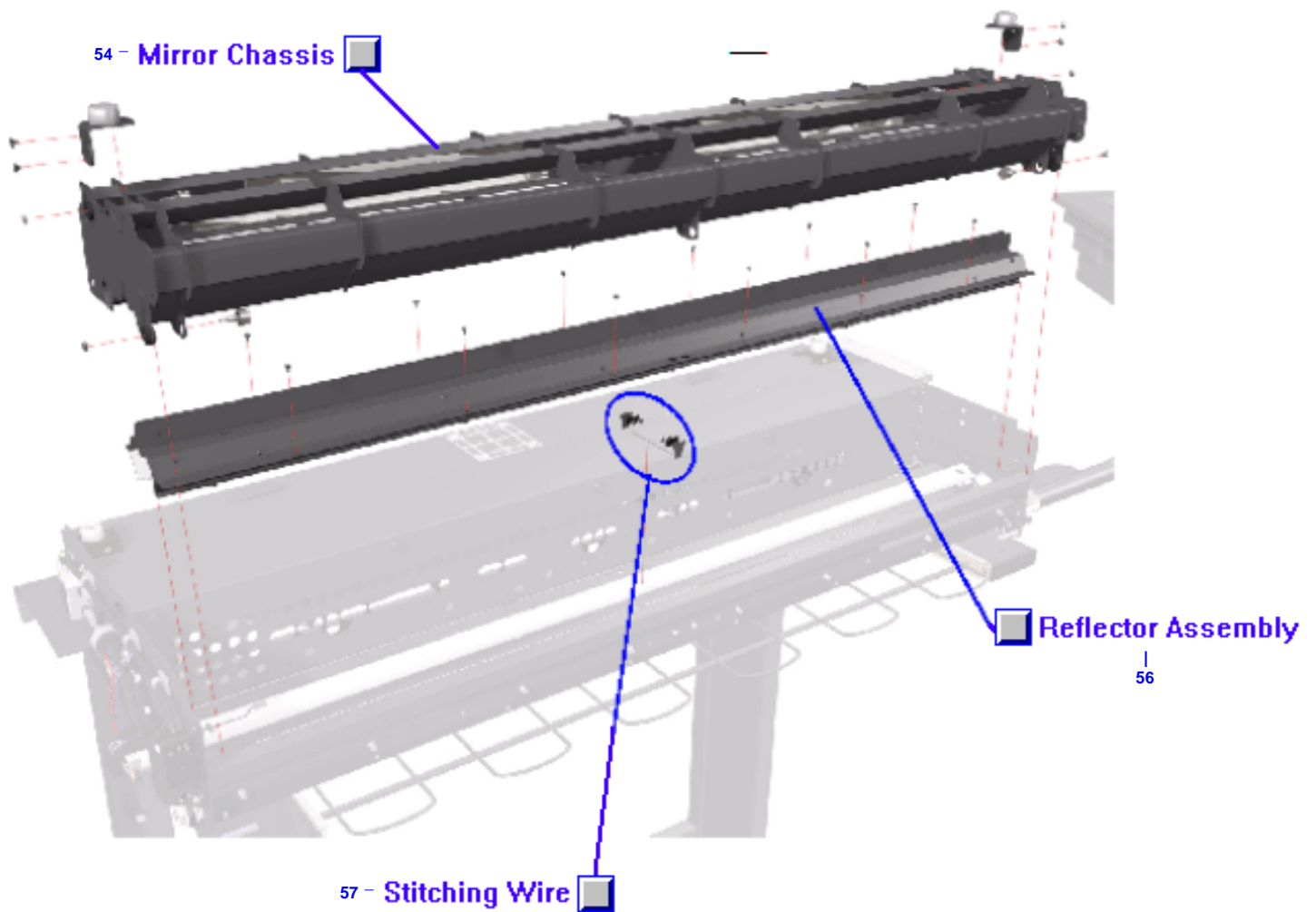
63 Q1261-60035 Roller Shield - Protects the Media Feed Roller - One used

Stand Parts

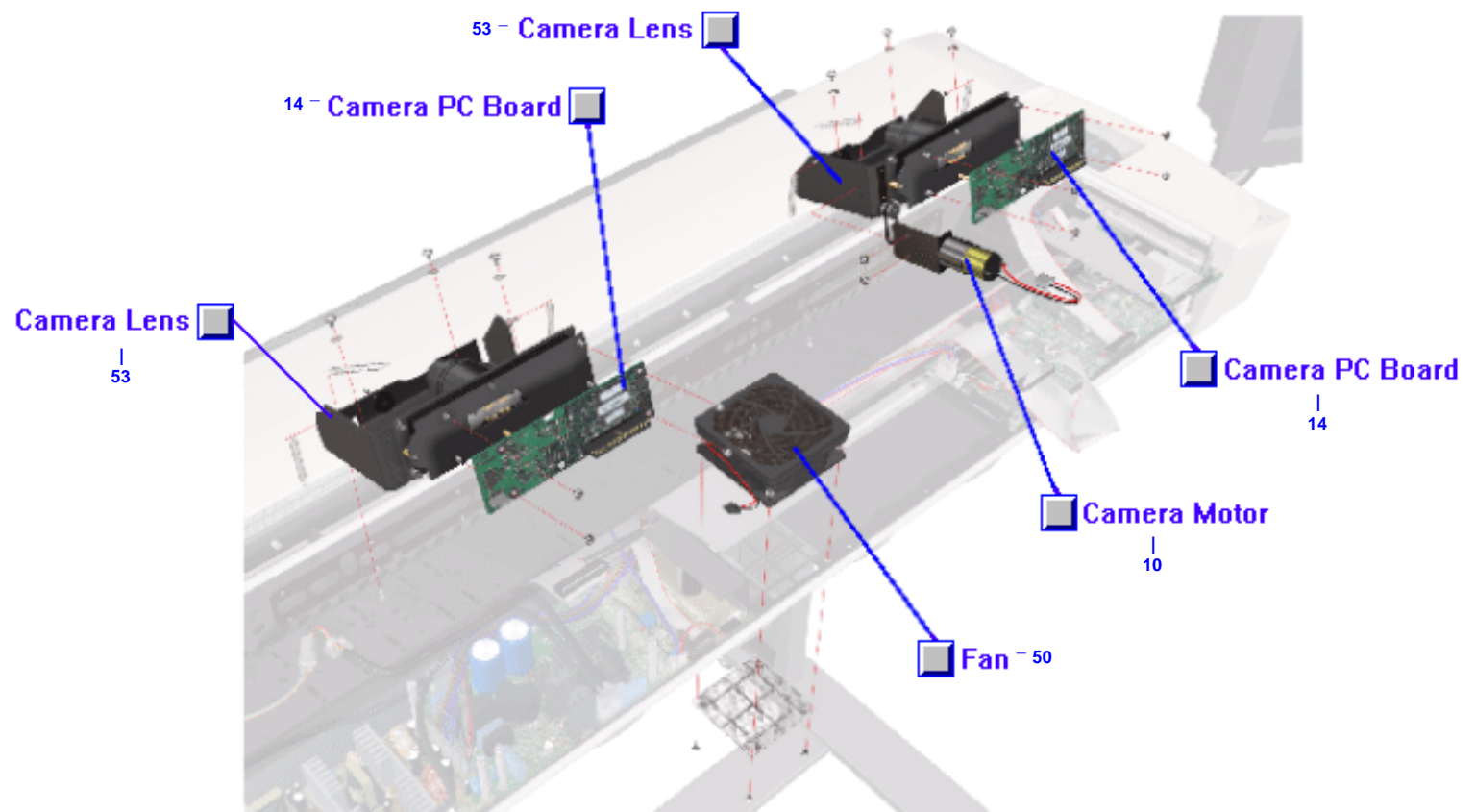
Stand

64 Q1279-60001 Complete Copier Stand - Includes touch screen monitor mounting bracket, feet, legs, and braces

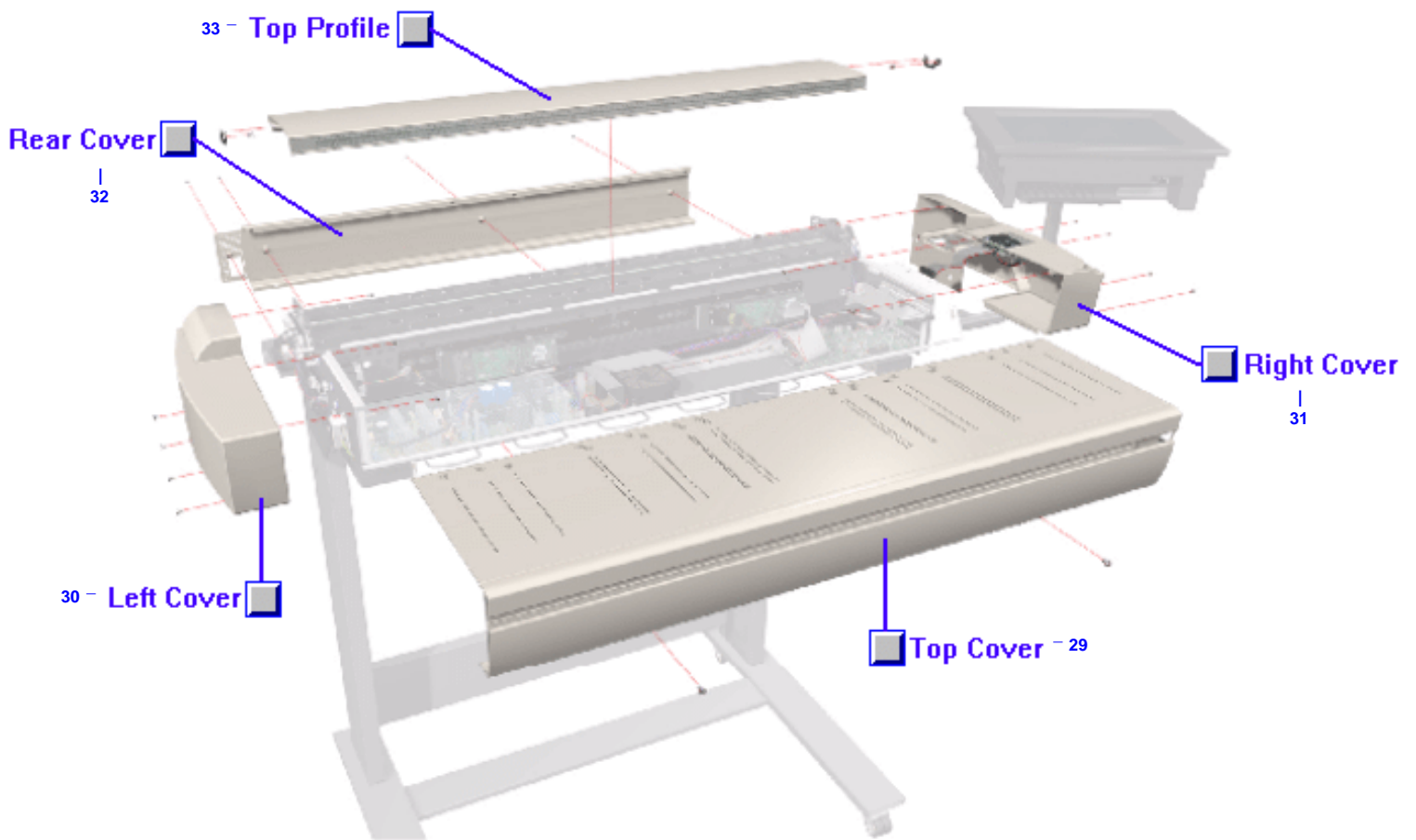
Copier Bottom Assemblies



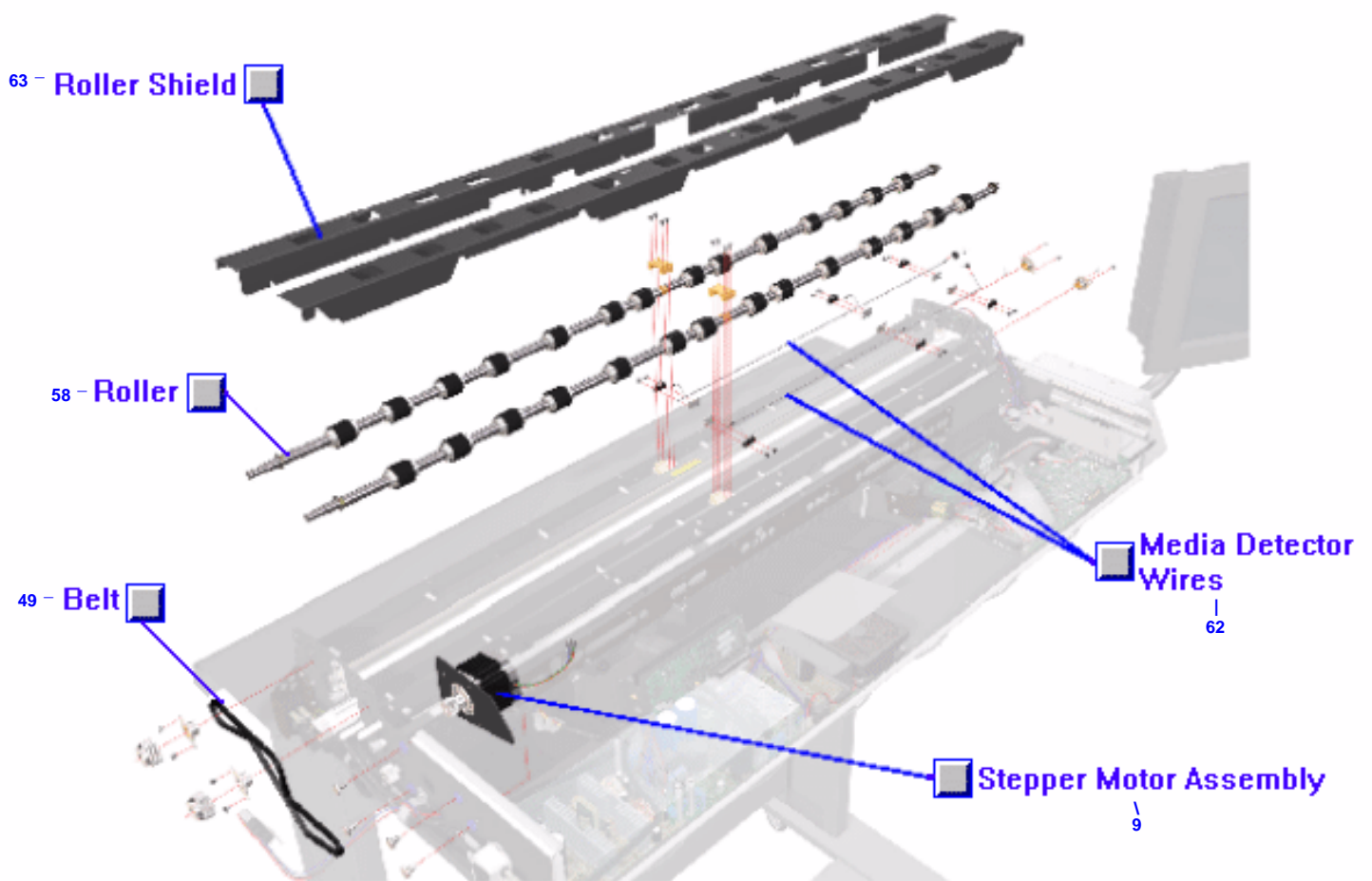
Copier Camera Components and Fan Assembly



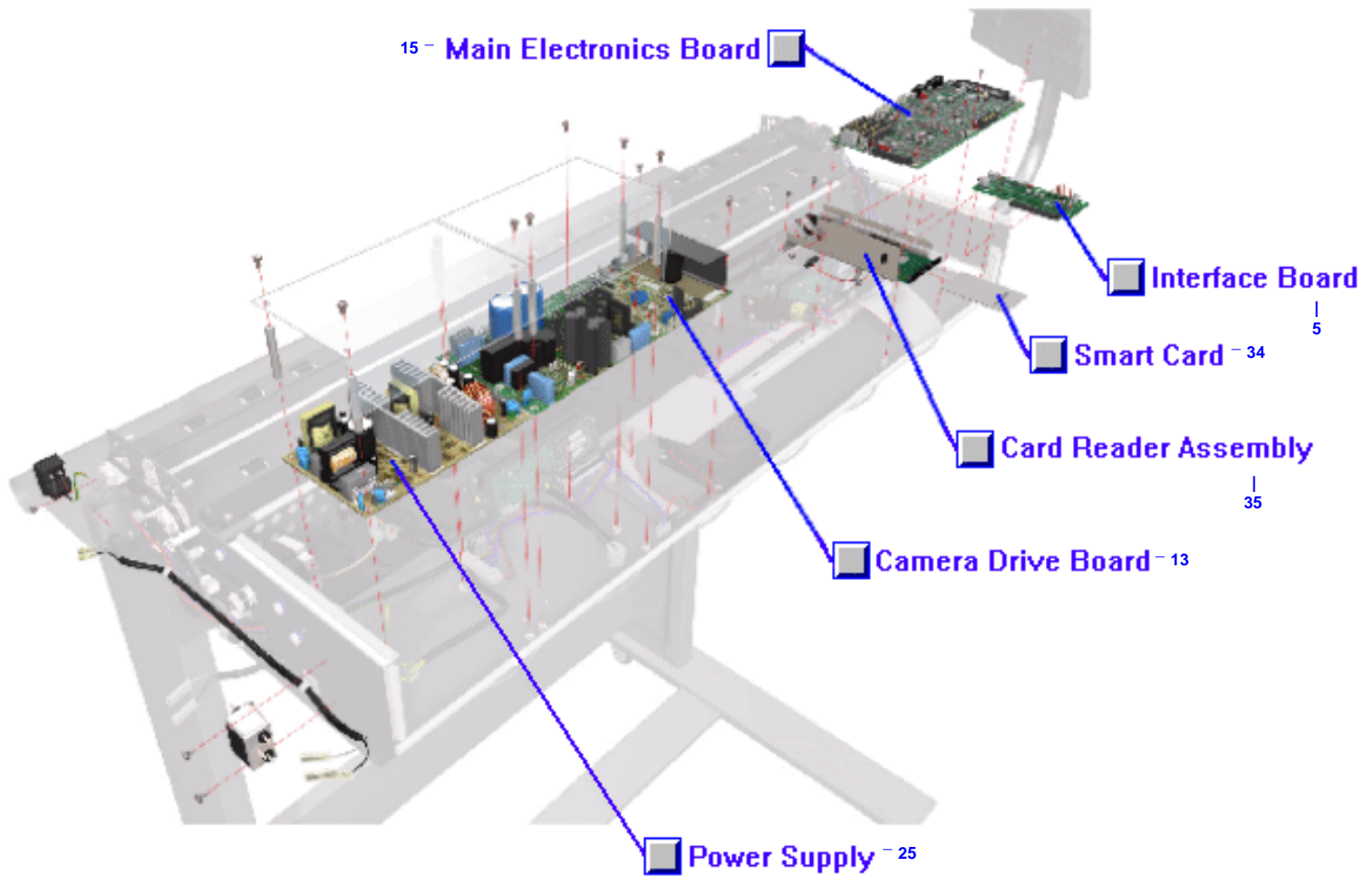
Copier Covers



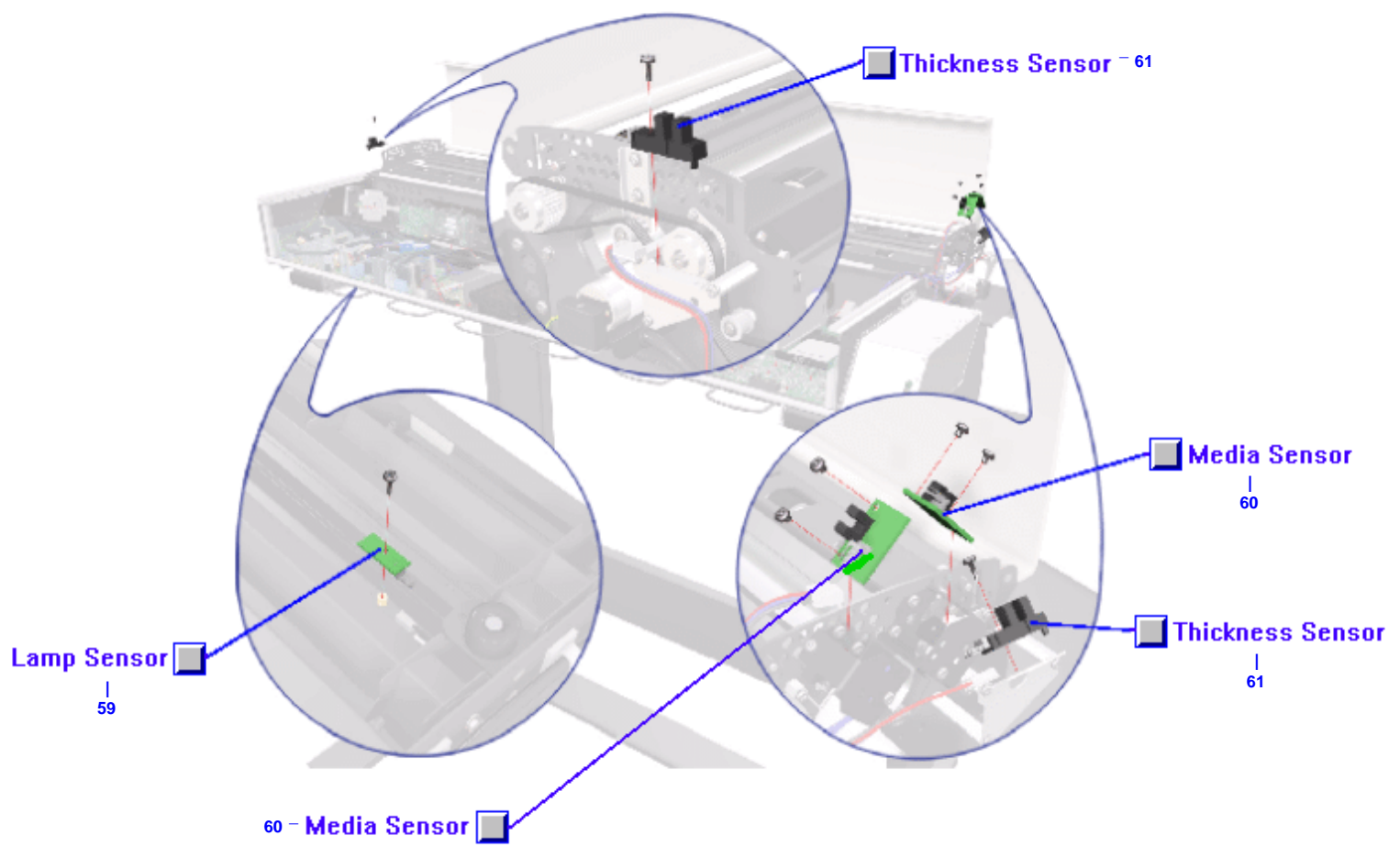
Copier Drive Assemblies



Copier Electronic Assemblies



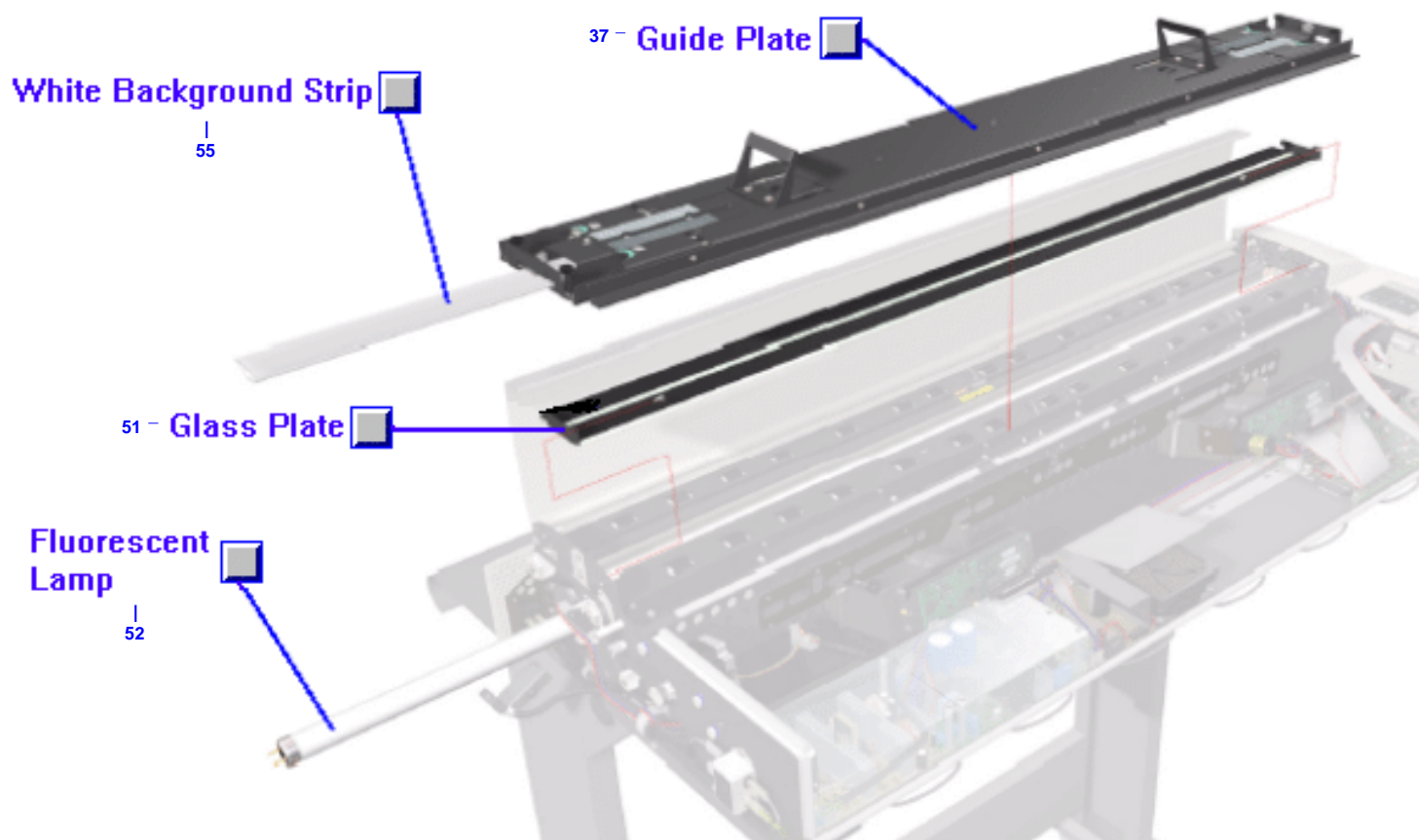
Copier Sensors





Copier Stand and Touch Screen

Copier Top Assemblies





HP Parts Reference Guide

<http://www.hp.com/go/parts>

HP PartSurfer

<http://partsurfer.hp.com>

HP Parts Ordering Information

<http://www.hp.com/go/hpparts>

HP Parts Questions/Comments

<http://partsurfer.hp.com/contactus.htm>