

Copier Stand, Touch Screen and Misc. Items

Copier Stand, Touch Screen and Misc. Items			
Reference on Drawing	HP Part Number	Quantity	Description/Comments
1	Q1261-60009	1	Stand
2	Q1261-60022	1	Touch Screen (Exchange Part)
3	Q1261-60030	1	Nameplate
4	Q1261-60036	1	Paper Guides
-	Q1261-60024	1	Hardware Kit
-	Q1261-60037	1	Service Patterns (includes the focus pattern and the calibration sheet)
-	Q1261-60038	1	Optical Pattern

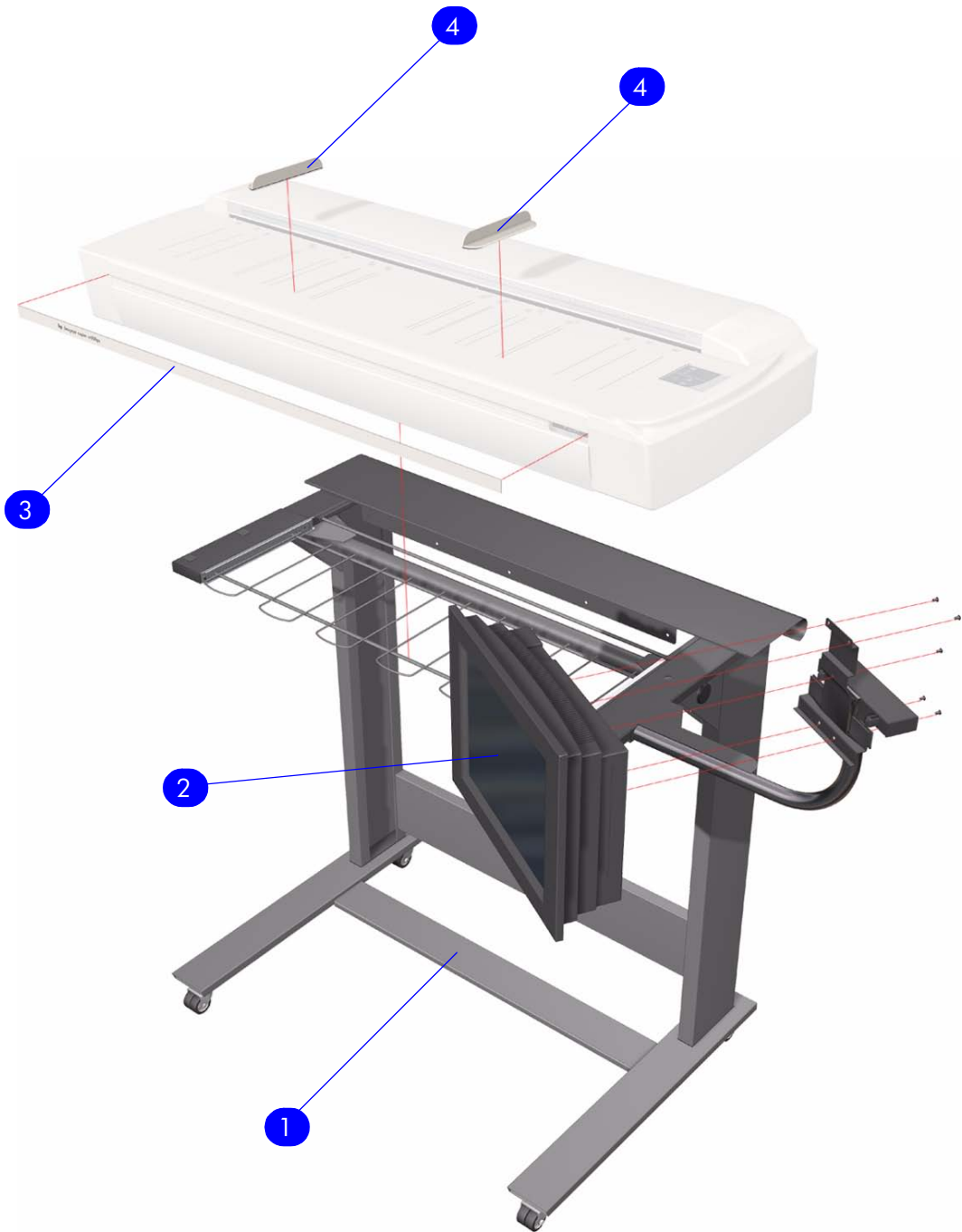


Figure 1: Copier Stand, Touch Screen and Misc. Items

Copier Covers

Copier Covers			
Reference on Drawing	HP Part Number	Quantity	Description/Comments
1	Q1261-60003	1	Top Cover
2	Q1261-60004	1	Left Cover
3	Q1261-60005	1	Right Cover (includes Operator Panel)
4	Q1261-60006	1	Rear Cover
5	Q1261-60007	1	Top Profile

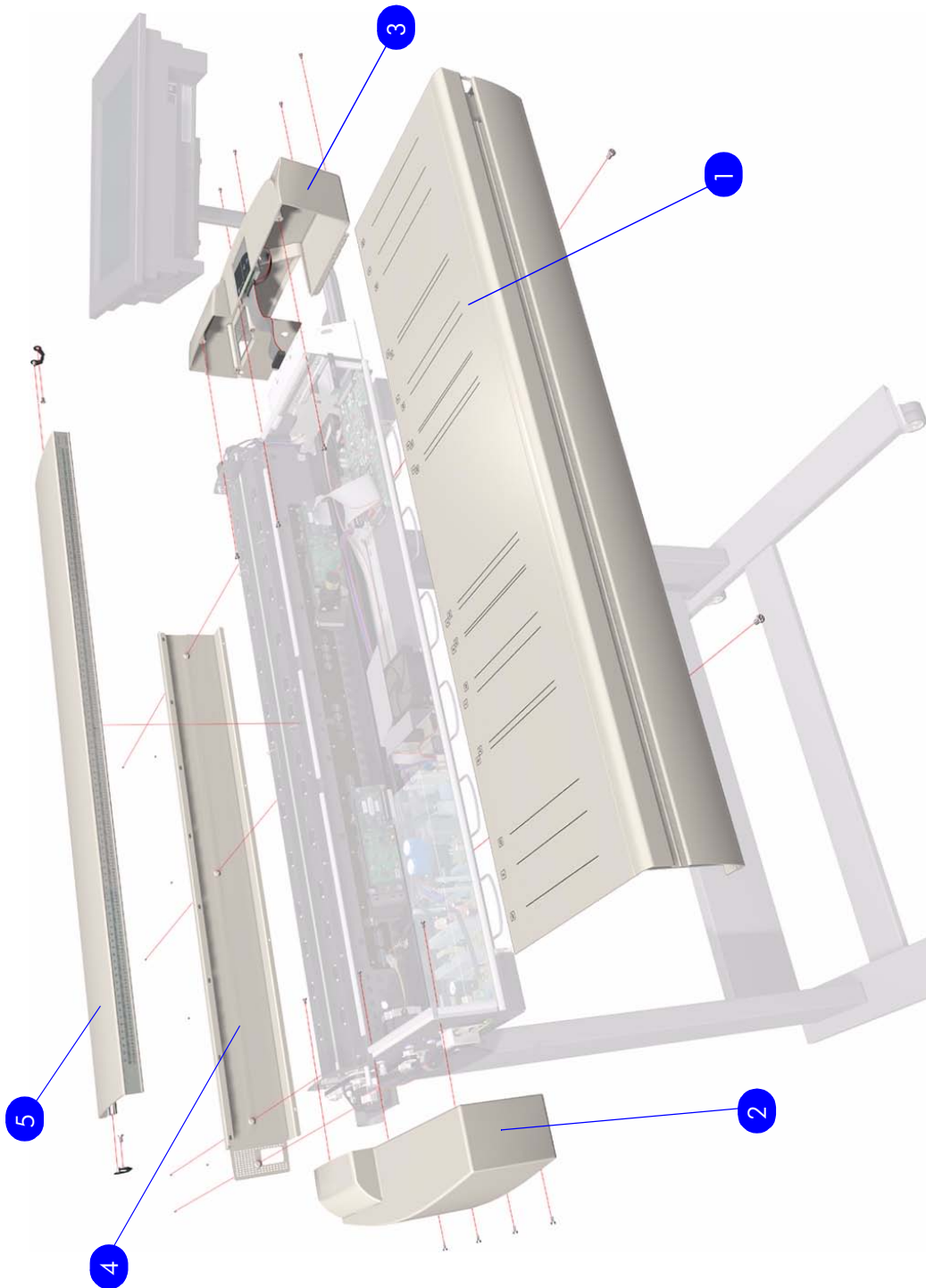


Figure 2: Copier Covers

Top Assemblies

Top Assemblies			
Reference on Drawing	HP Part Number	Quantity	Description/Comments
1	Q1261-60028	1	Guide Plate (includes the White Background Assembly)
2	Q1261-60010	1	Glass Plate
3	Q1261-60026	1	White Background Assembly
4	Q1261-60027	1	Fluorescent Lamp

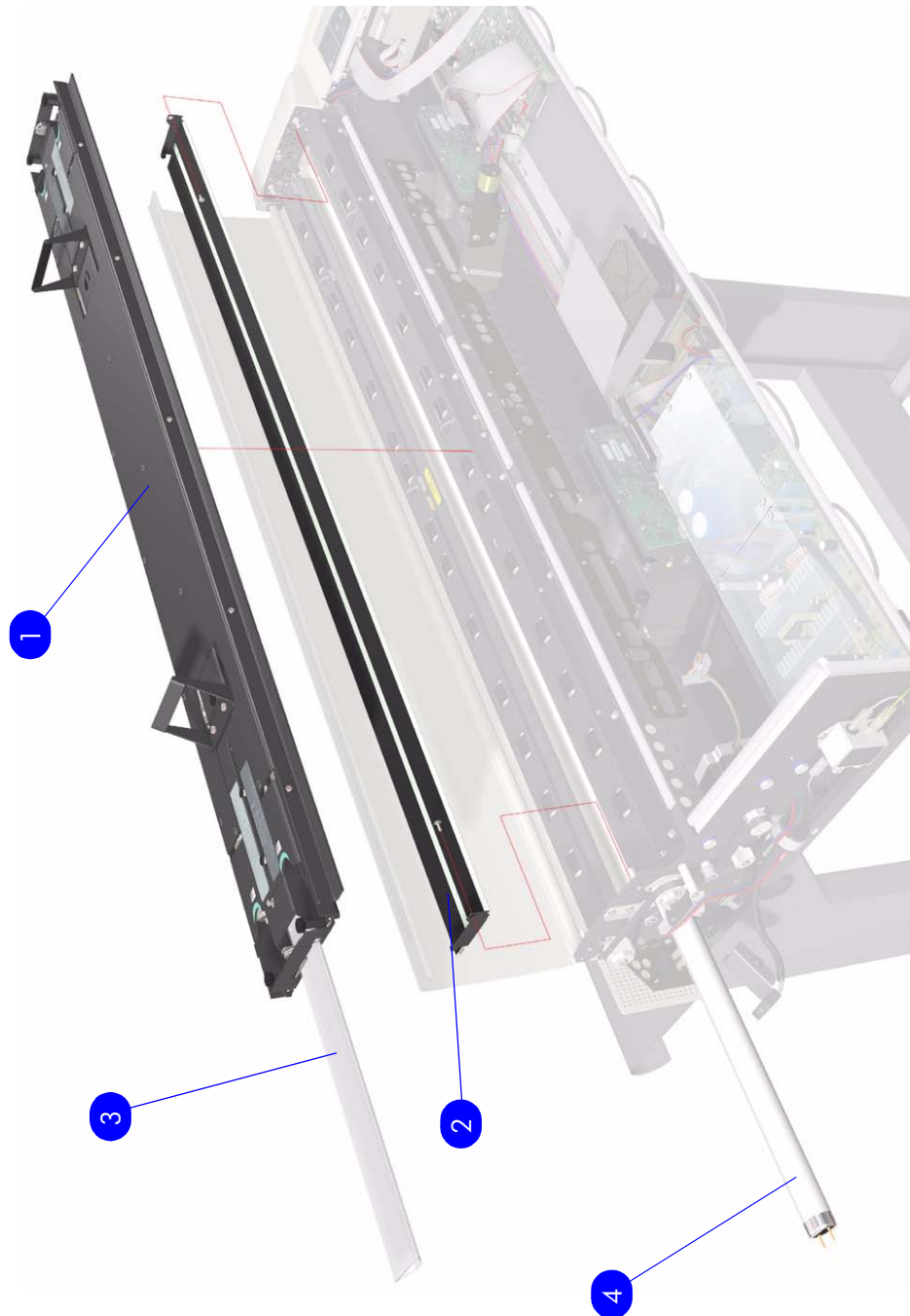


Figure 3: Top Assemblies

Drive Assemblies

Drive Assemblies			
Reference on Drawing	HP Part Number	Quantity	Description/Comments
1	Q1261-60035	1	Roller Shields
2	Q1261-60025	1	Rollers
3	Q1261-60018	1	Stepper Motor Assembly
4	Q1261-60029	1	Belt
5	Q1261-60033	1	Media Detector Wires

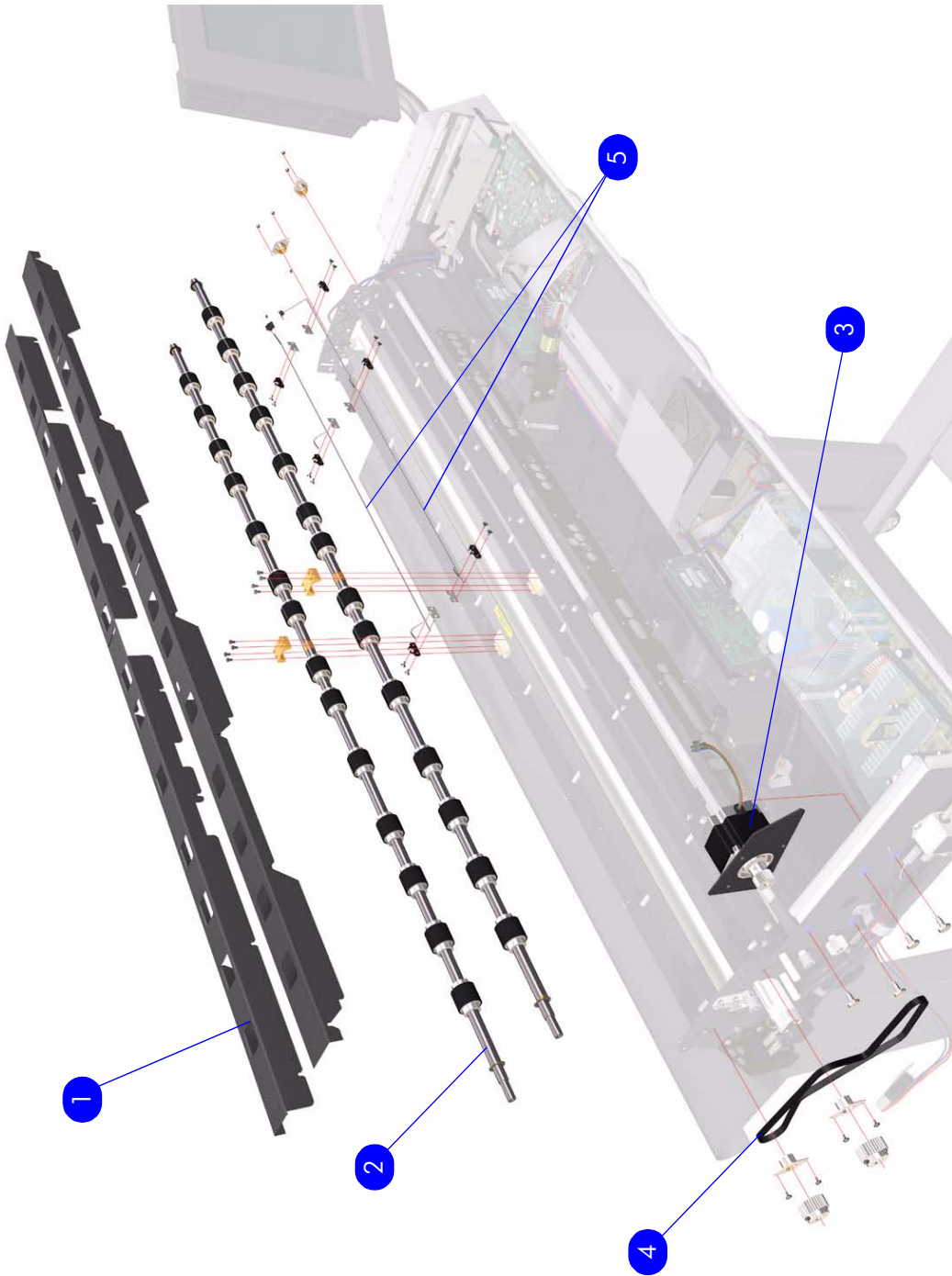


Figure 4: Drive Assemblies

Camera Components and Fan

Camera Components and Fan			
Reference on Drawing	HP Part Number	Quantity	Description/Comments
1	Q1261-60034	2	Camera Lens
2	Q1261-60013	2	Camera Board
3	Q1261-60019	1	Camera Motor
4	Q1261-60020	1	Fan

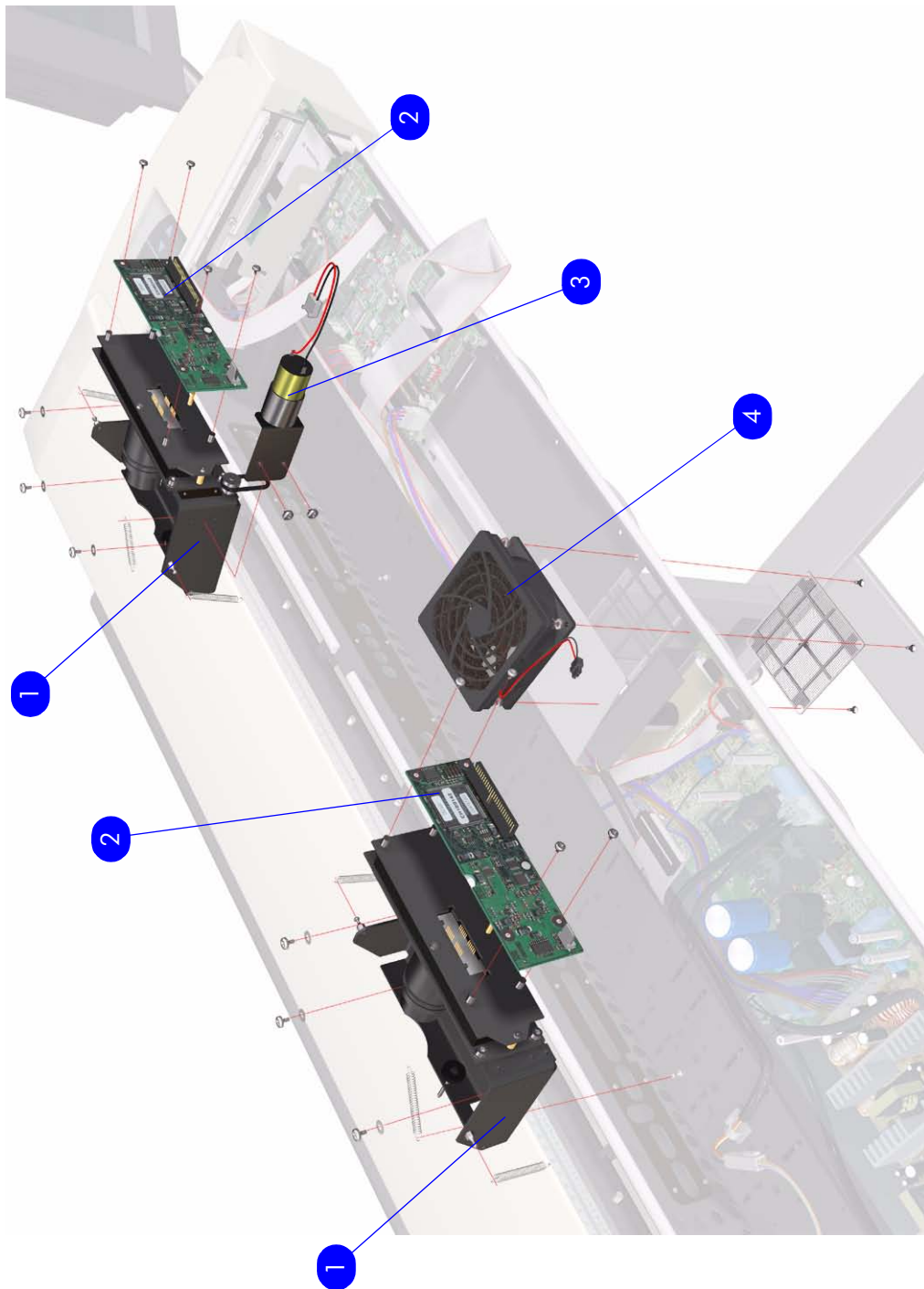


Figure 5: Camera Components and Fan

Electronic Boards

Electronic Boards			
Reference on Drawing	HP Part Number	Quantity	Description/Comments
1	Q1261-60001	1	Power Supply (includes the switcher and filter)
2	Q1261-60002	1	Main Elelectronics Board
3	Q1261-60011	1	Driver Board
4	Q1261-60014	1	Card Reader Assembly
5	Q1261-60032	1	Smart Card
6	Q1261-60015	1	Interface Board

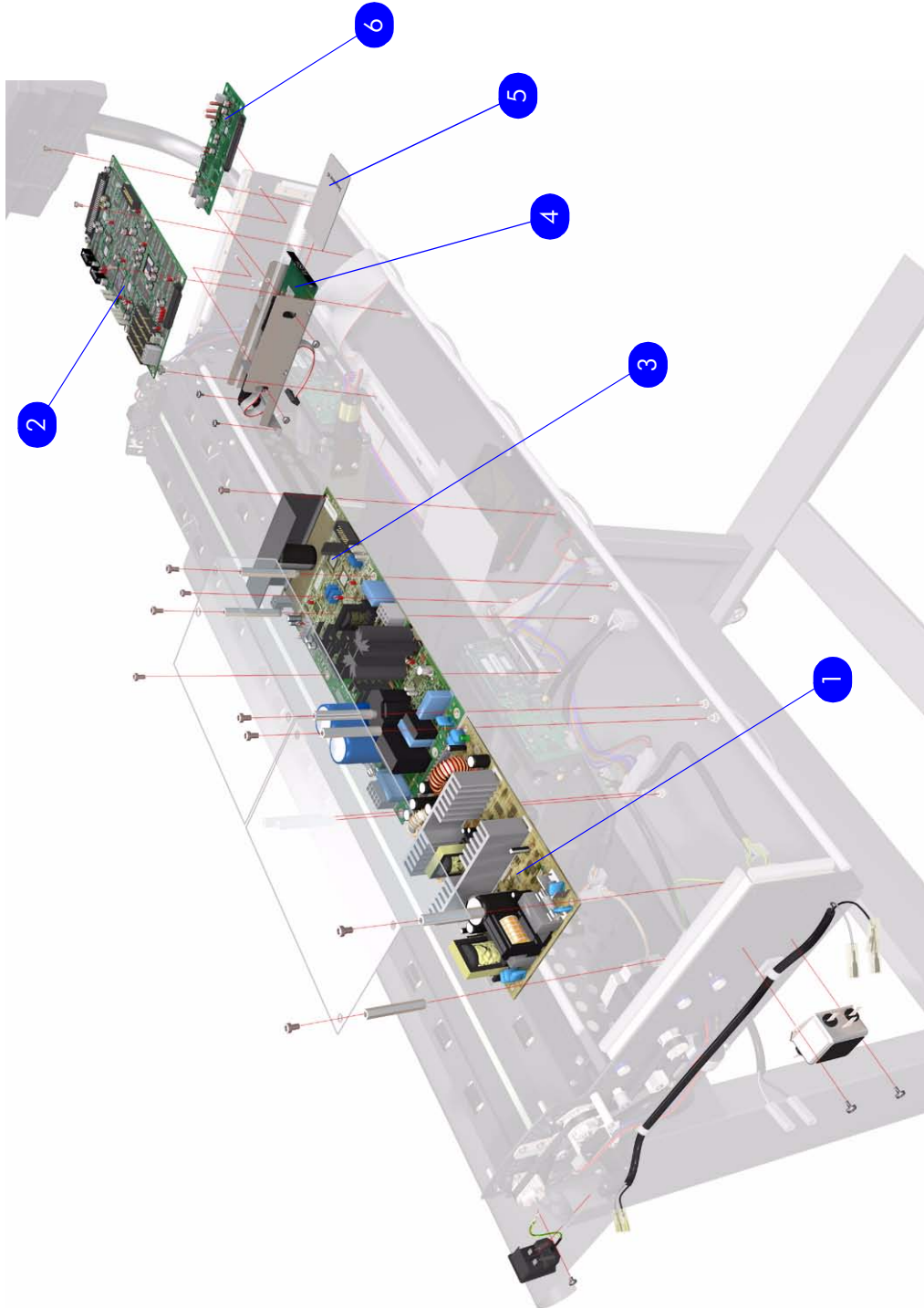


Figure 6: Electronic Boards

Sensors

Sensors			
Reference on Drawing	HP Part Number	Quantity	Description/Comments
1	Q1261-60017	2	Media Sensor
2	Q1261-60021	2	Thickness Sensor
3	Q1261-60012	1	Lamp Sensor

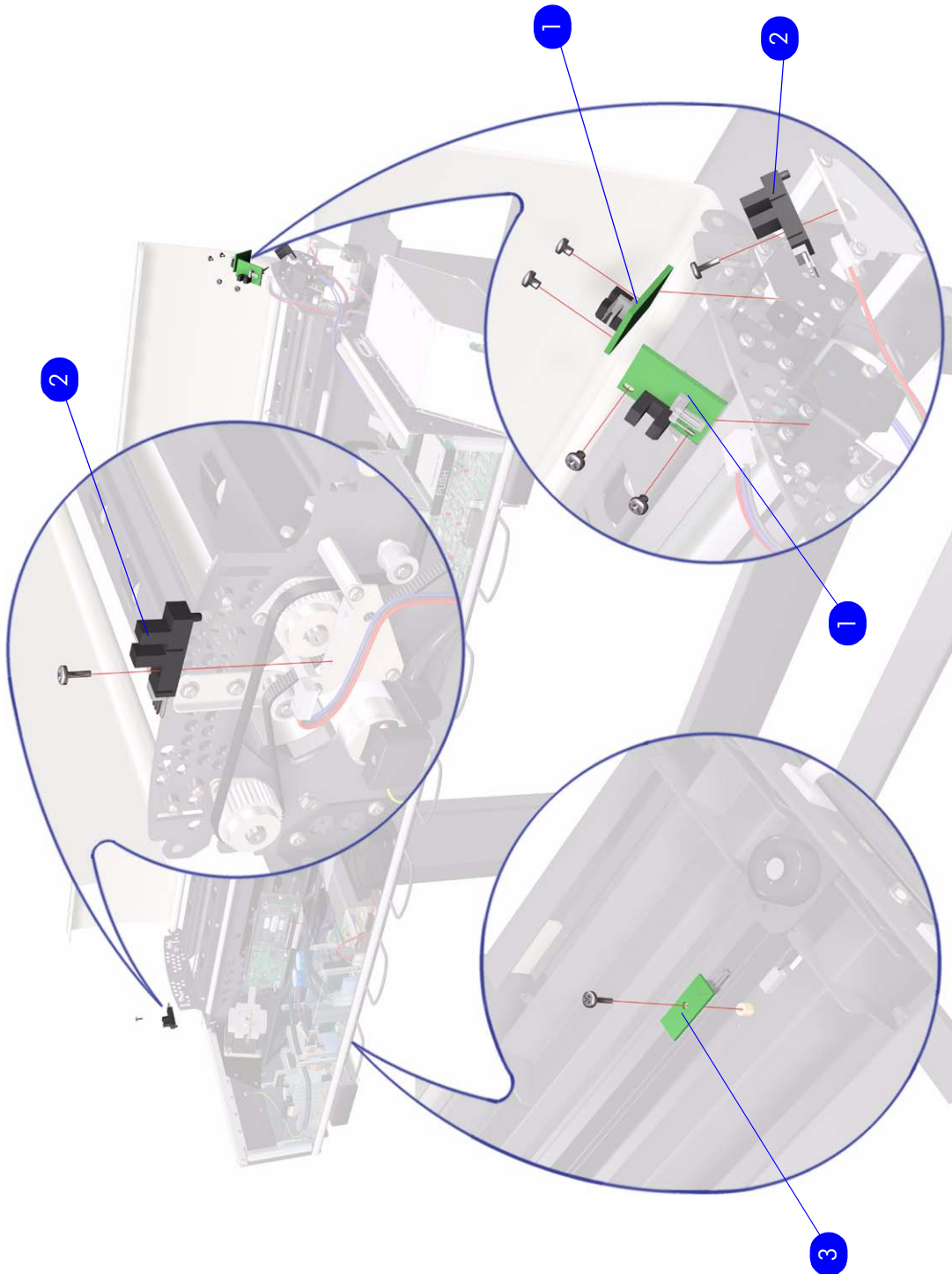


Figure 7: Sensors

Bottom Assemblies

Bottom Assemblies			
Reference on Drawing	HP Part Number	Quantity	Description/Comments
1	Q1261-60023	1	Mirror Chassis
2	Q1261-60031	1	Reflector Assembly
3	Q1261-60008	1	Stitching Wire

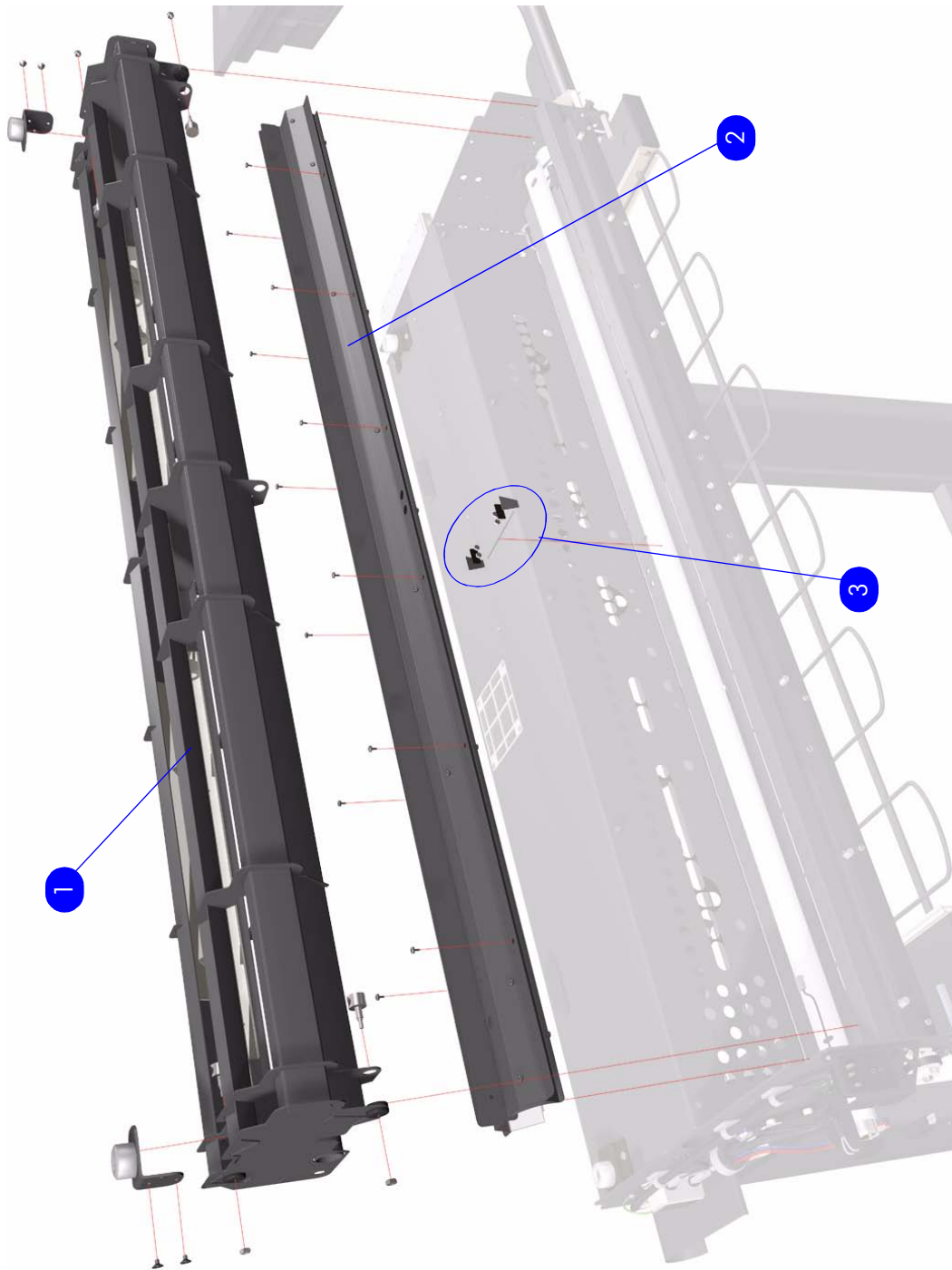


Figure 8: Bottom Assemblies