

Parts and Diagrams

7

Front Covers	7-2
Back and Side Covers	7-4
Electronics Module	7-6
Carriage Assembly	7-8
Scan-Axis Assemblies	7-10
Paper Path Assemblies	7-12
Paper-Axis and Scan-Axis Motor Assemblies	7-14
Media Feed Assemblies	7-16
Take-Up-Reel Assemblies	7-18
Capping Assemblies	7-20
Wiping Assemblies	7-22
Ink Supply Assemblies	7-24
Printer Stand and Waste Bottle	7-26
Service Tools and Miscellaneous Items	7-28

Front Covers

Front Covers			
Reference on Drawing	HP Part Number	Quantity	Description/Comments
1	Q6670-60003	1	Left Trim
2	Q6670-60004	1	Maintenance Kit Drawer and Cover
3	Q6670-60005	1	Left Door
4	Q6670-60006	1	Right Door
5	Q6670-60007	1	Right Trim
6	Q6670-60008	1	Window
-	Q6670-60009	1	Window Hinges
7	Q6670-60026	1	Front Panel
8	Q6670-60027	2	Window Sensor

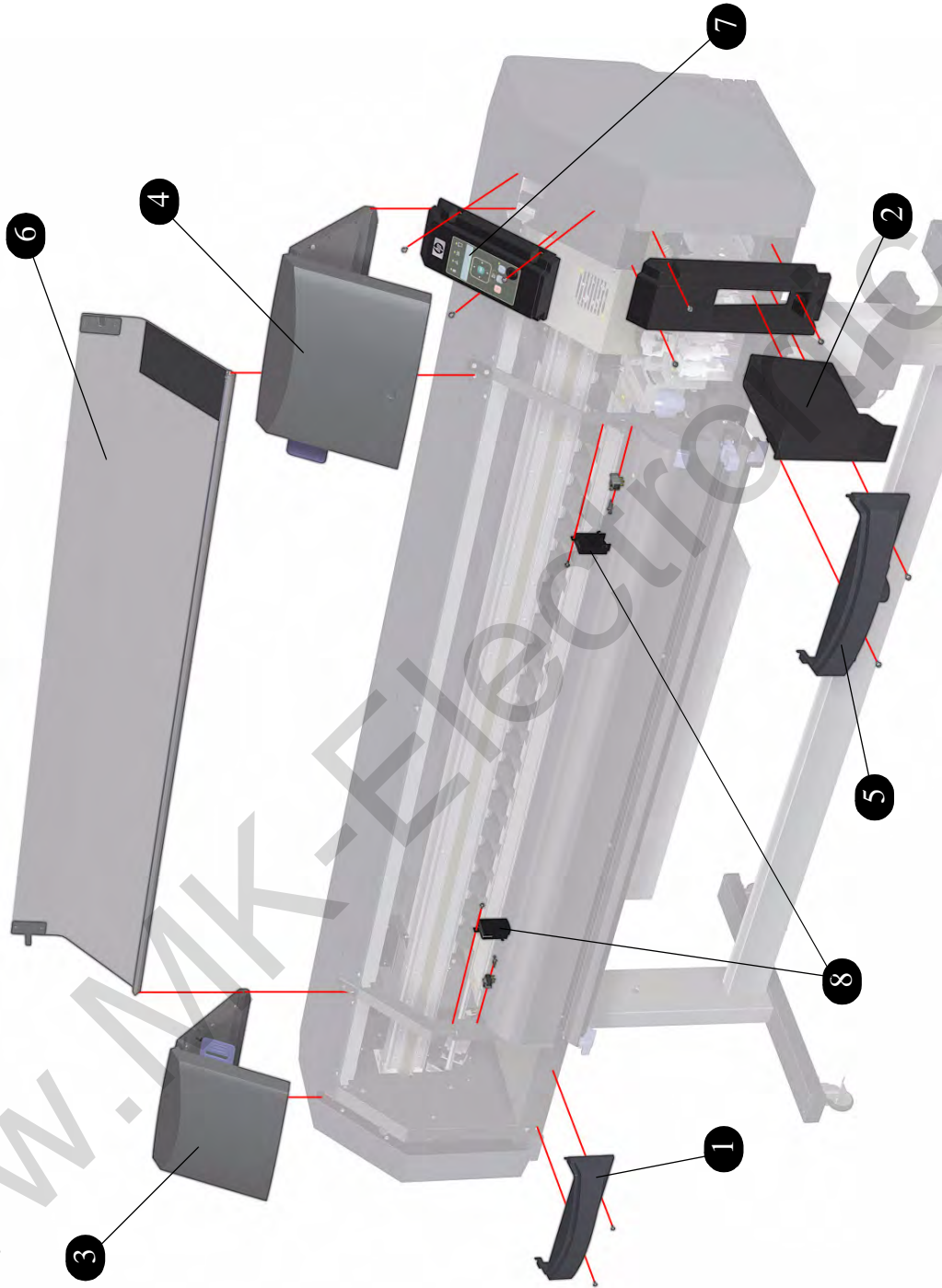


Figure 1: Front Covers

Back and Side Covers

Back and Side Covers			
Reference on Drawing	HP Part Number	Quantity	Description/Comments
1	Q6670-60010	1	Top Cover
2	Q6670-60011	1	Documentation Holder
3	Q6670-60012	1	Right Top Cover
4	Q6670-60013	1	Handle
5	Q6670-60014	1	Ink Cartridge Bay Cover
6	Q6670-60015	1	Right Side Cover
7	Q6670-60016	1	Left Top Cover
8	Q6670-60017	1	Left Back Cover
9	Q6670-60018	1	Left Side Cover

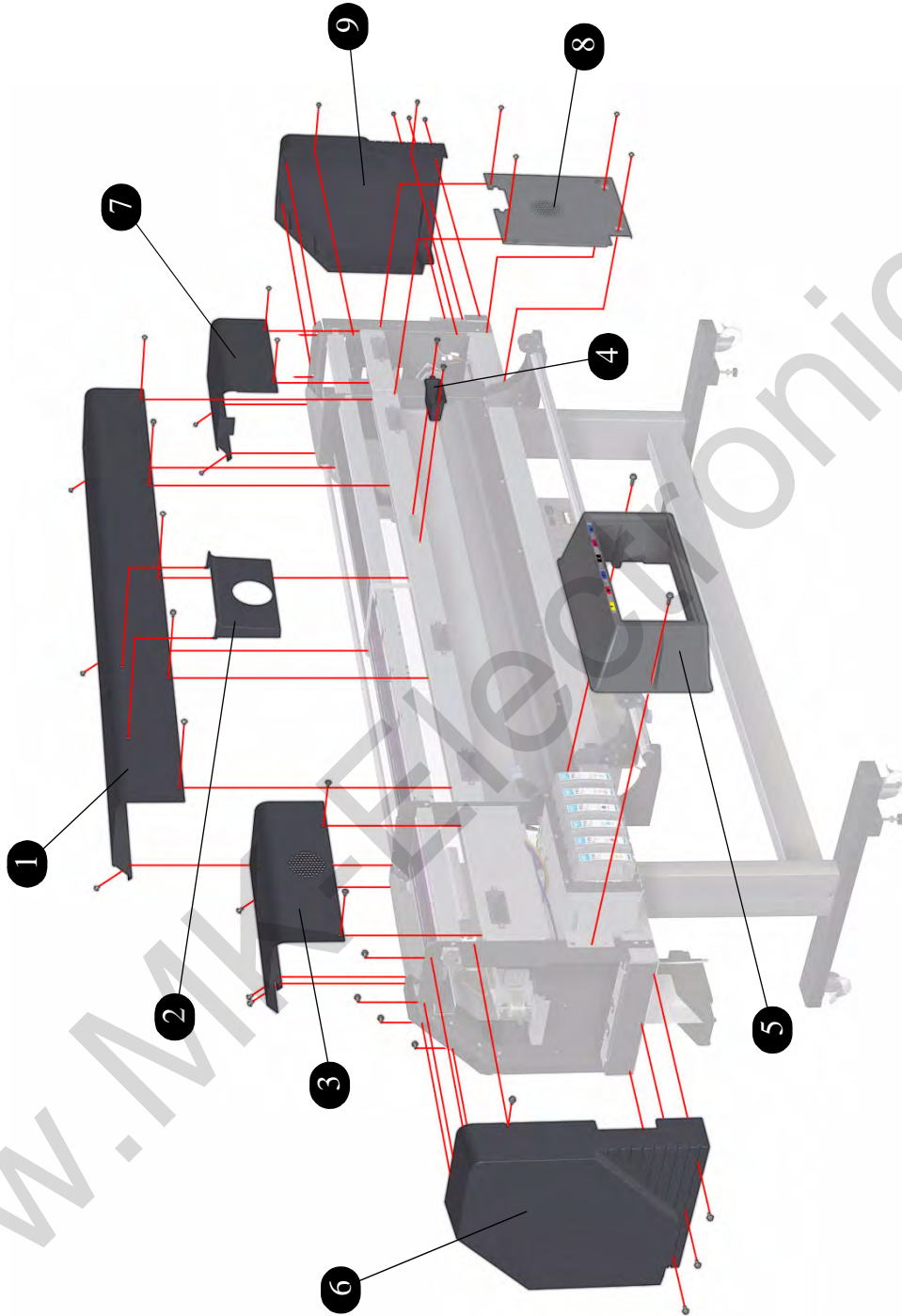


Figure 2: Back and Side Covers

Electronics Module

Electronics Module			
Reference on Drawing	HP Part Number	Quantity	Description/Comments
1	Q6670-60019	1	Power Socket
2	Q6670-60020	1	Main PCA
3	Q6670-60021	1	Power Switch
4	Q6670-60022	1	Heater Relay Board
5	Q6670-60023	1	Cooling Fan (Electronics)
6	Q6670-60024	1	Power Supply Unit
7	Q6670-60025	1	Voltage Alternation Switch
8	Q6670-60078	1	EEPROM

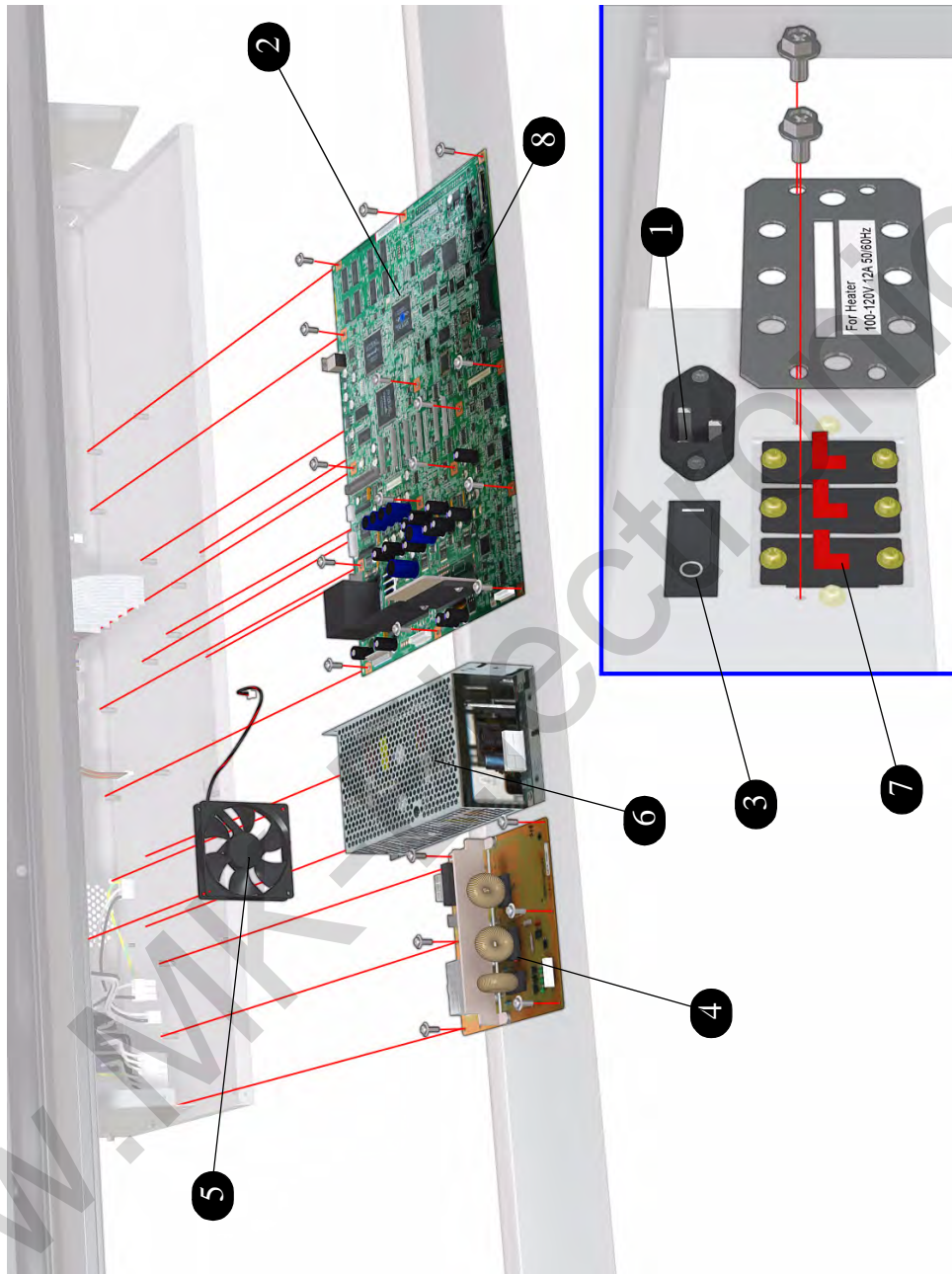


Figure 3: Electronics Module

Carriage Assembly

Carriage Assembly			
Reference on Drawing	HP Part Number	Quantity	Description/Comments
1	Q6670-60054	1	Carriage PCA
2	Q6670-60001	6	Printhead
3	Q6670-60055	1	Encoder Sensor
4	Q6670-60030	1	Line Sensor
5	Q6670-60057	6	Printhead Slot Assembly
6	Q6670-60023	1	Cooling Fan (Printhead)
7	Q6670-60058	1	Trailing Cable
8	Q6670-60080	1	Ink Tubes Assembly
9	Q6670-60084	1	Printhead Cable Connectors
10	Q6670-60085	1	Air Damper

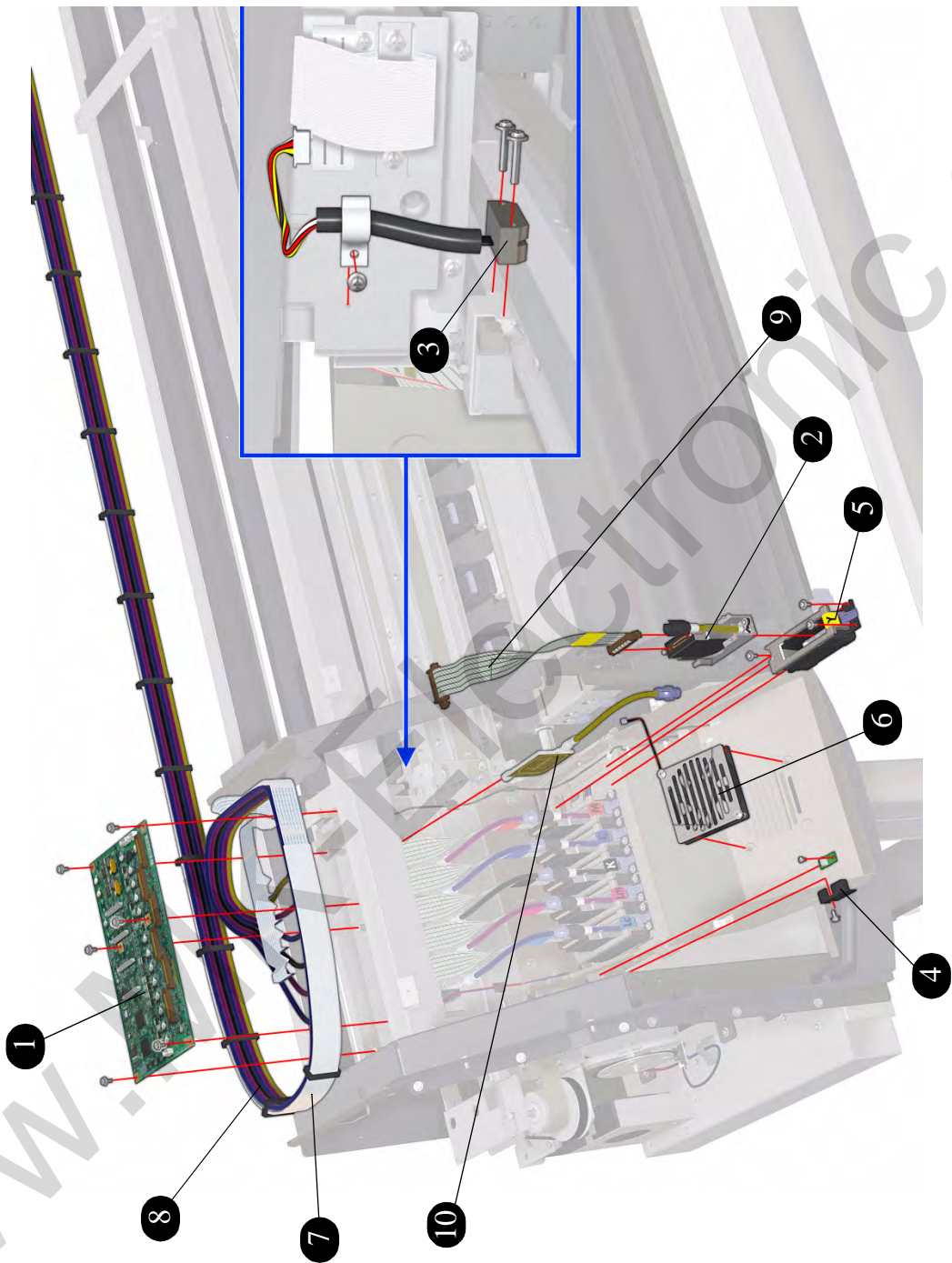


Figure 4: Carriage Assembly

Scan-Axis Assemblies

Scan-Axis Assemblies			
Reference on Drawing	HP Part Number	Quantity	Description/Comments
1	Q6670-60037	1	Drive Pulley
2	Q6670-60038	1	Encoder Strip
3	Q6670-60039	1	Tension Pulley
4	Q6670-60040	1	Home Position Sensor
5	Q6670-60041	1	Belt
6	Q6670-60042	1	Pinch Roller
7	Q6670-60092	1	Pinch Roller Holder

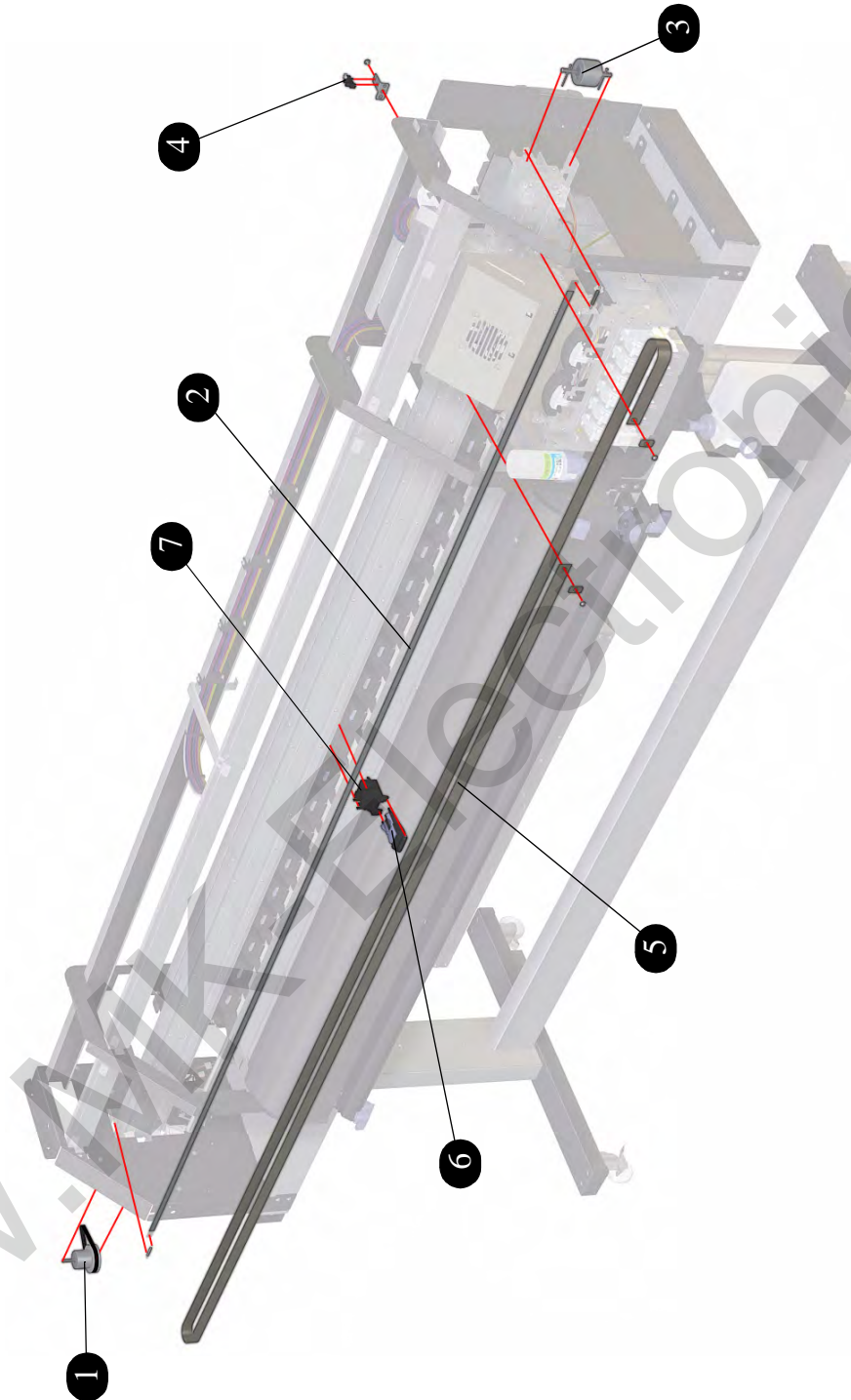


Figure 5: Scan-Axis Assemblies

Paper Path Assemblies

Paper Path Assemblies			
Reference on Drawing	HP Part Number	Quantity	Description/Comments
1	Q6670-60033	1	Front Heater
2	Q6670-60029	1	Center Platen
3	Q6670-60032	1	Rear Heater
4	Q6670-60031	4	Vacuum Fan
5	Q6670-60028	2	Media Edge Guard
6	Q6670-60030	1	Media Lever Sensor
7	Q6670-60043	1	Cutter Assembly

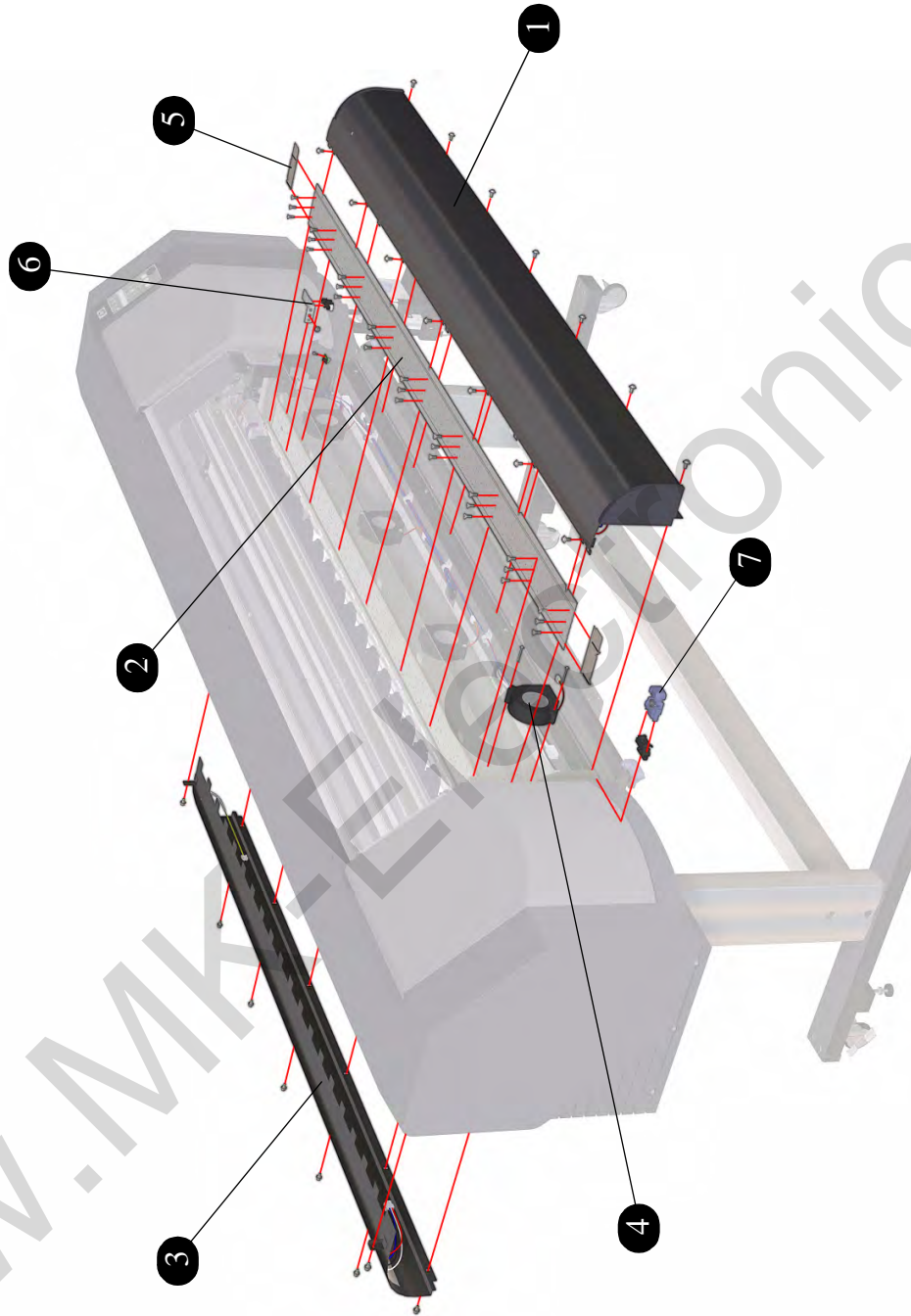


Figure 6: Paper Path Assemblies

Paper-Axis and Scan-Axis Motor Assemblies

Paper-Axis and Scan-Axis Motor Assemblies			
Reference on Drawing	HP Part Number	Quantity	Description/Comments
1	Q6670-60034	1	Paper-Axis Motor
2	Q6670-60035	1	Paper-Axis Gear
3	Q6670-60036	1	Encoder Disc and Sensor
4	Q6670-60045	1	Scan-Axis Motor
5	Q6670-60044	1	Motor Cooling Fan

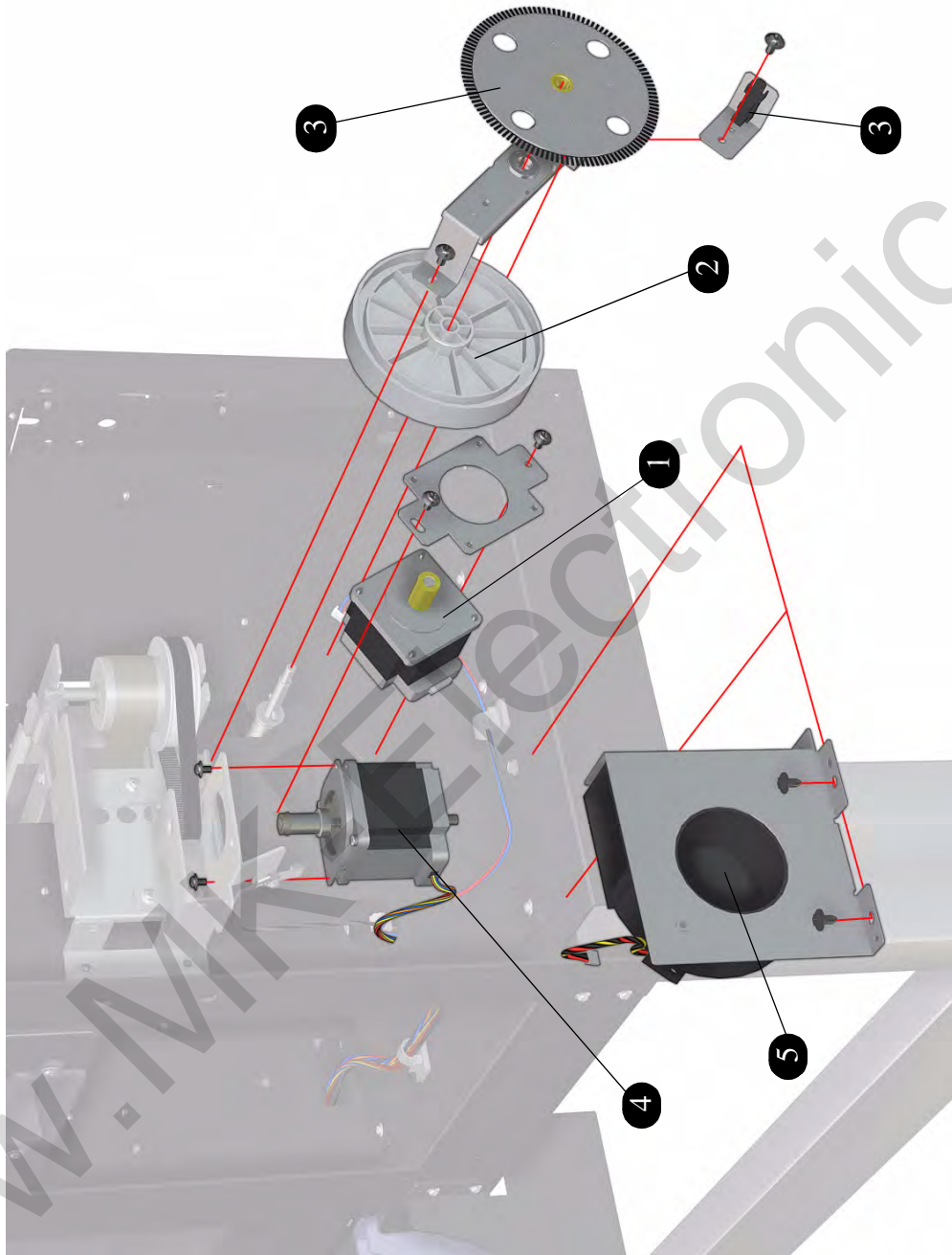


Figure 7: Paper-Axis and Scan-Axis Motor Assemblies

Media Feed Assemblies

Media Feed Assemblies			
Reference on Drawing	HP Part Number	Quantity	Description/Comments
1	Q6670-60046	2	Media Feed Flange
2	Q6670-60047	2	Media Support Bracket
-	Q6670-60079	1	2" Media feed Flange

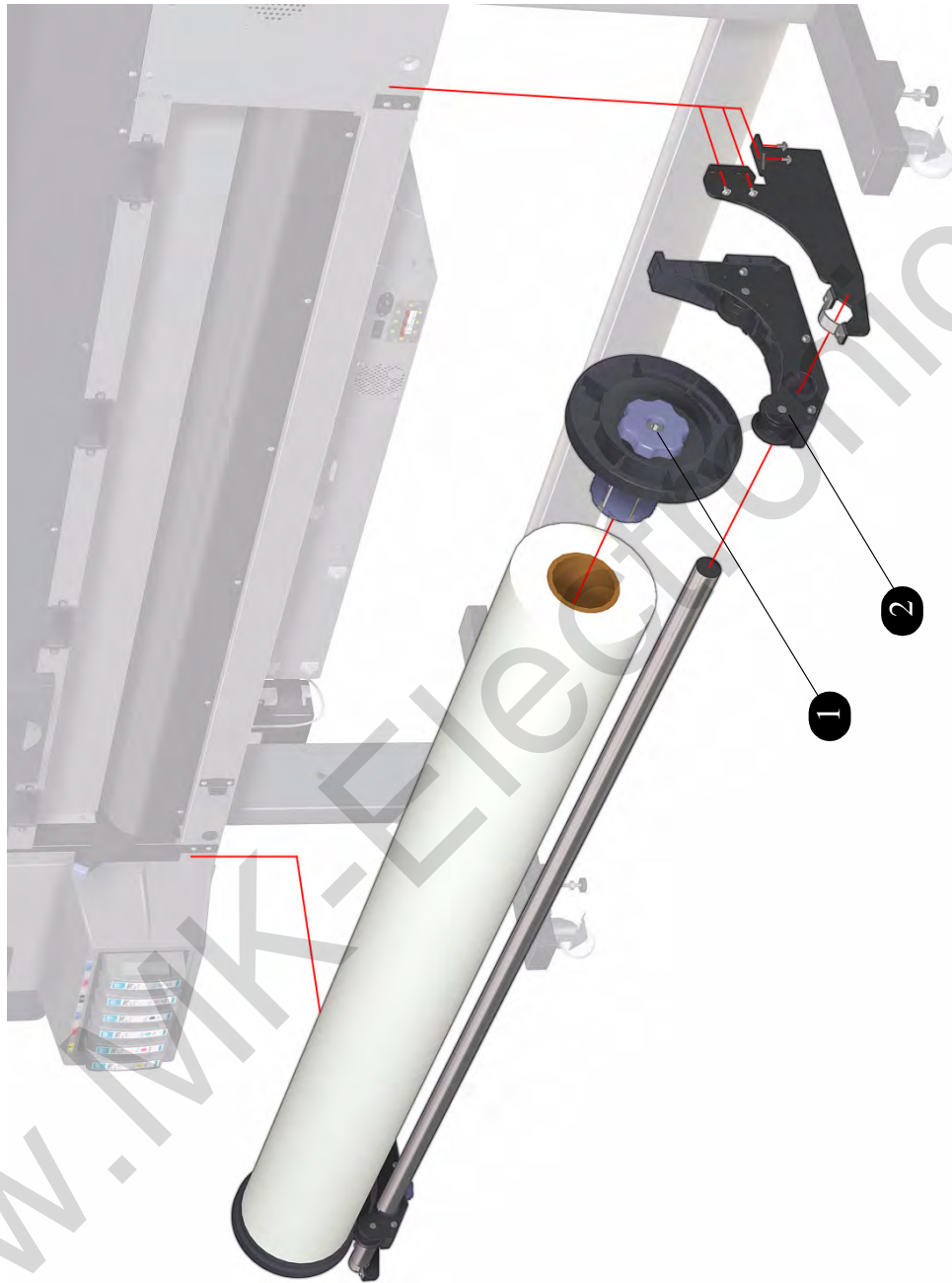


Figure 8: Media Feed Assemblies

Take-Up-Reel Assemblies

Take-Up-Reel Assemblies			
Reference on Drawing	HP Part Number	Quantity	Description/Comments
1	Q6670-60048	1	Take-Up-Reel Sensor
2	Q6670-60049	1	Right Take-Up-Reel Plate
3	Q6670-60050	1	Take-Up-Reel Tension Roller
4	Q6670-60051	1	Left Take-Up-Reel Plate
5	Q6670-60052	1	Take-Up-Reel Motor
6	Q6670-60053	1	Take-Up-Reel Media Feed Flange

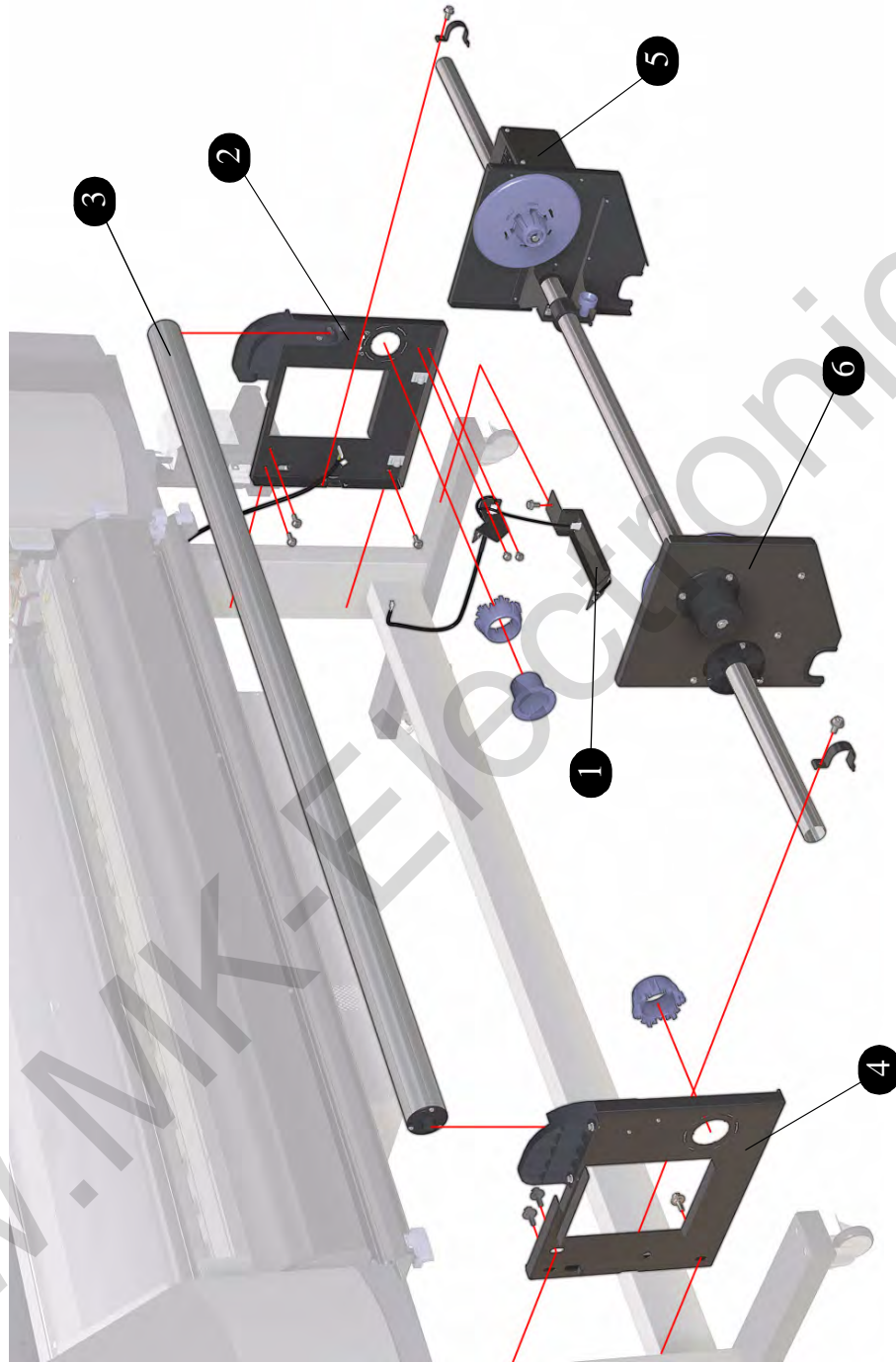


Figure 9: Take-Up-Reel Assemblies

Capping Assemblies

Capping Assemblies			
Reference on Drawing	HP Part Number	Quantity	Description/Comments
1	Q6670-60059	1	Capping Station Motor
2	Q6670-60060	1	Cap Motor Assembly
3	Q6670-60061	1	Capping Station Lever
4	Q6670-60062	6	Prime Assembly
5	Q6670-60063	1	Capping Station Assembly
6	Q6670-60064	1	Valve Assembly
7	Q6670-60065	6	Capping Unit

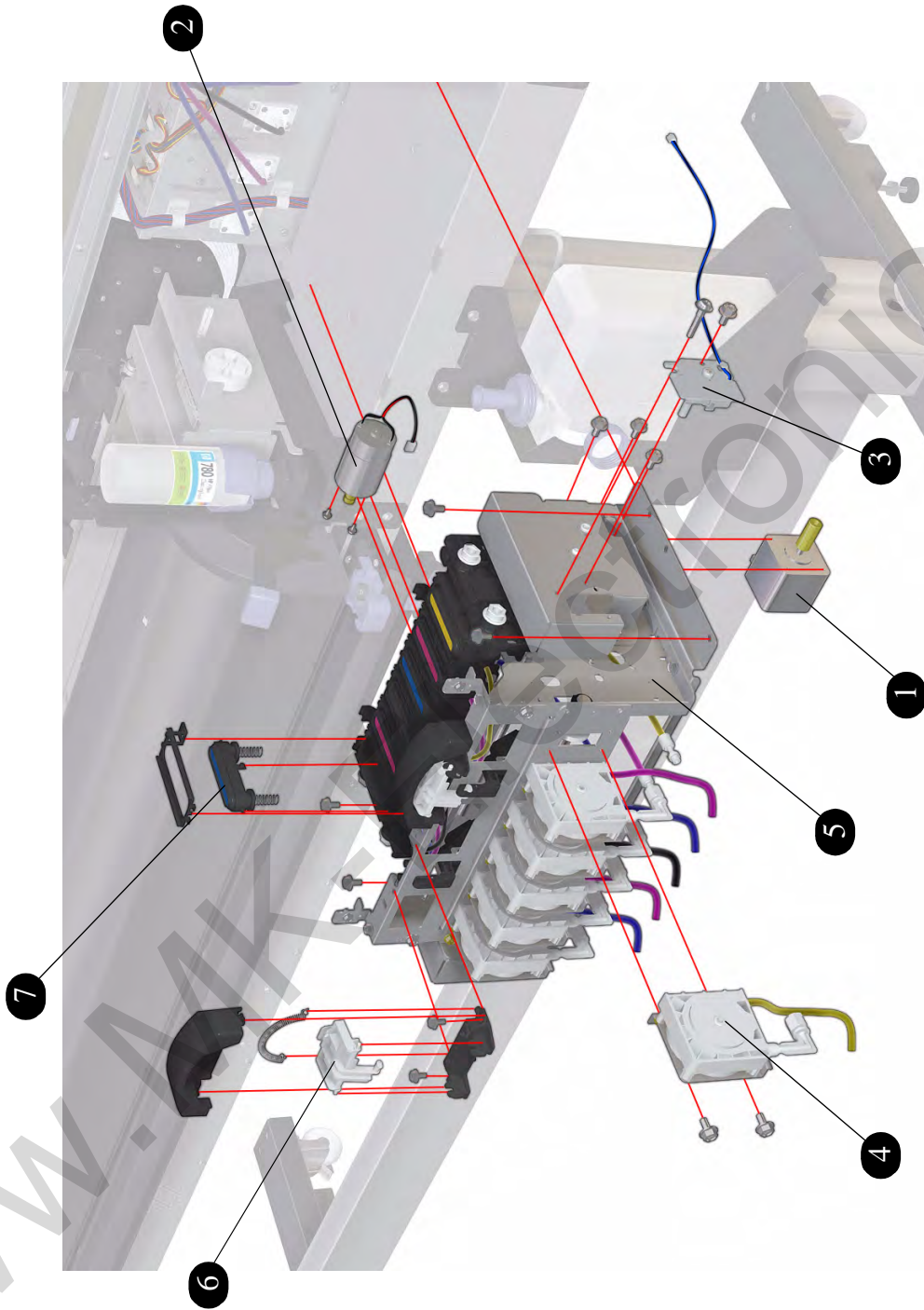


Figure 10: Capping Assemblies

Wiping Assemblies

Wiping Assemblies			
Reference on Drawing	HP Part Number	Quantity	Description/Comments
1	Q6670-60066	1	Wiping Station
2	Q6670-60067	1	Wiper Case
3	Q6670-60077	1	Wiper Blade
4	Q6670-60068	1	Wiper Cleaning Assembly
5	Q6670-60069	1	Wiper Blade Position Sensor

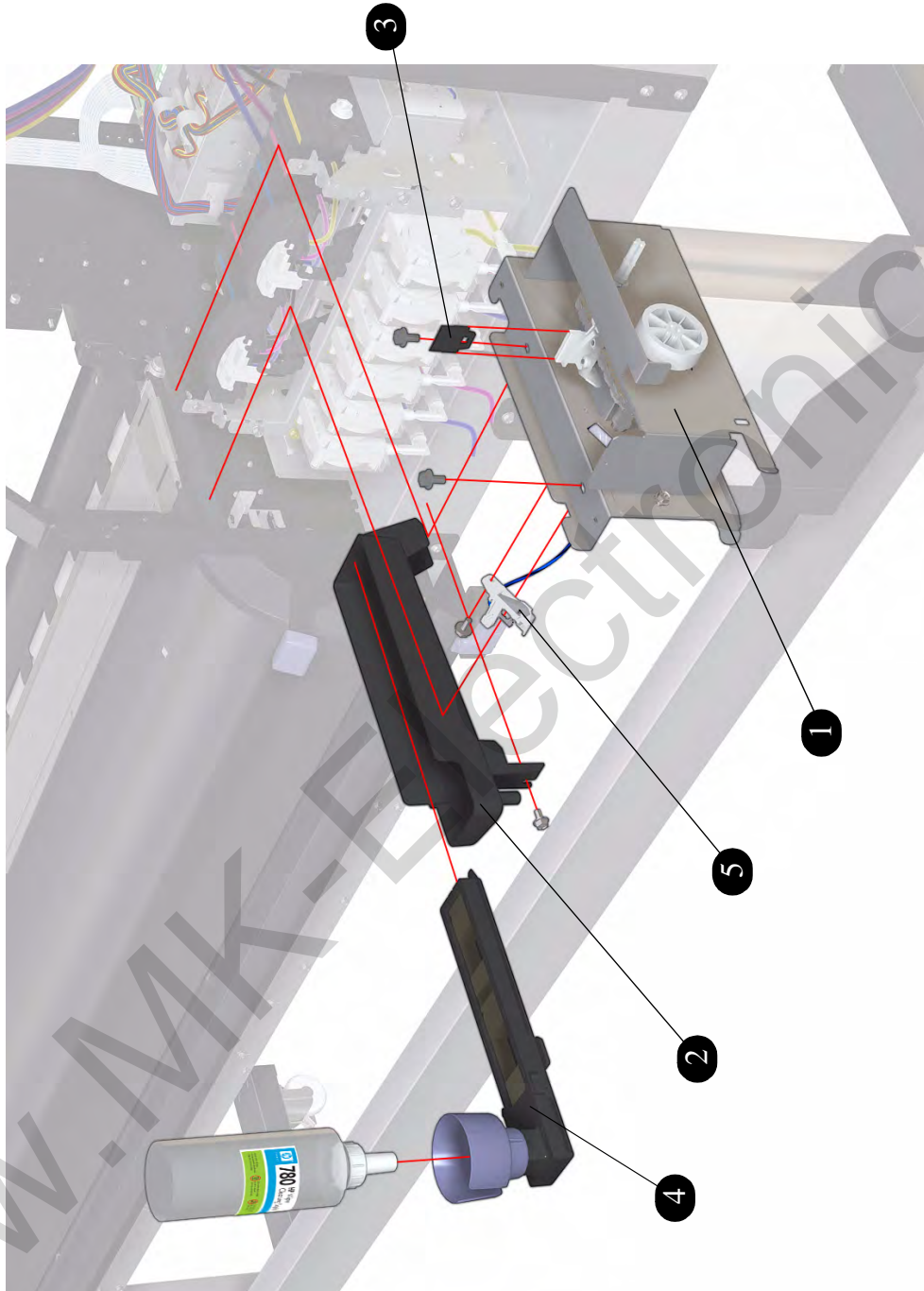


Figure 11: Wiping Assemblies

Ink Supply Assemblies

Ink Supply Assemblies			
Reference on Drawing	HP Part Number	Quantity	Description/Comments
1	Q6670-60070	1	Ink Supply Station PCA
2	Q6670-60071	1	Ink Supply Station
3	Q6670-60072	6	Ink Filter Assembly

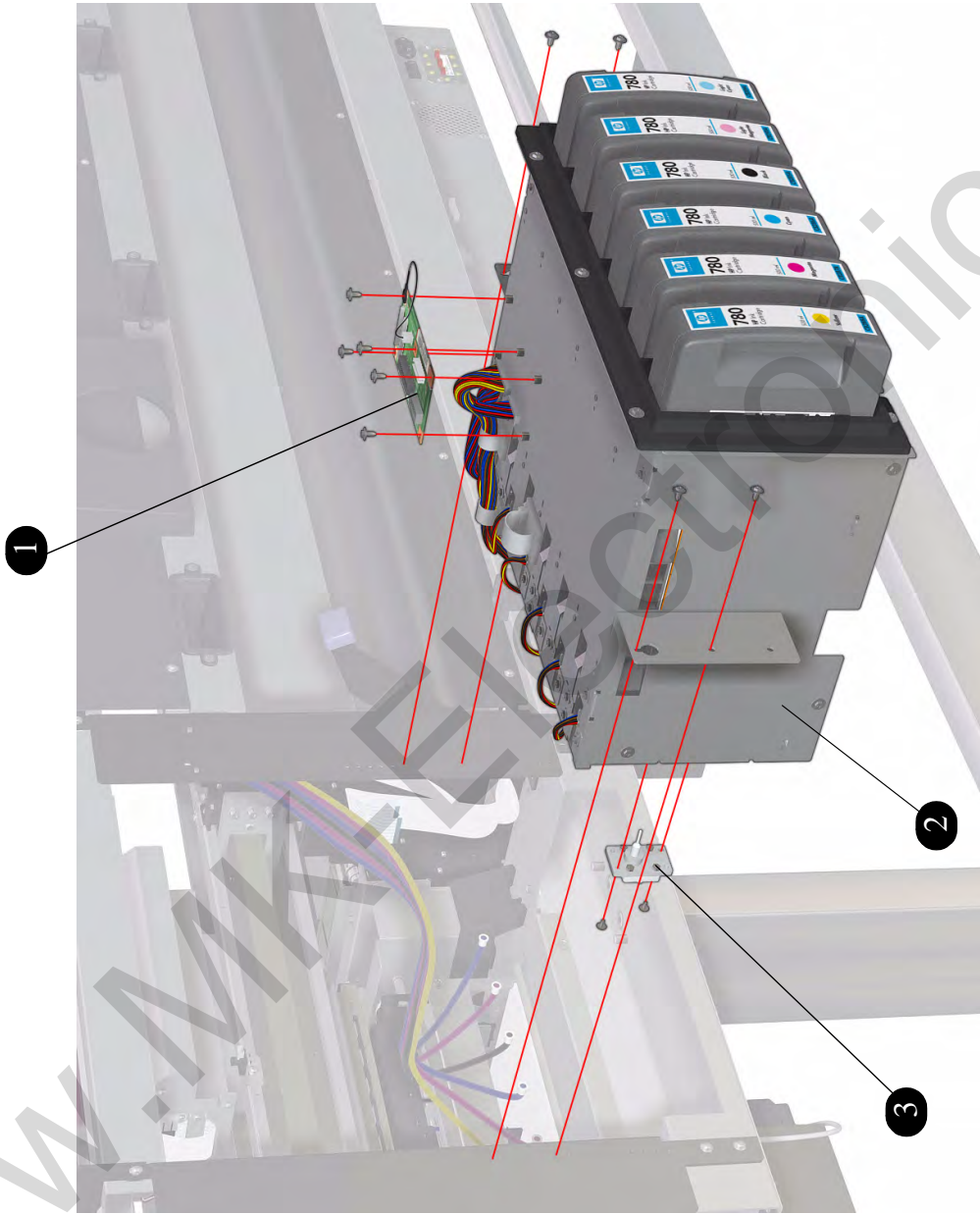


Figure 12: Ink Supply Assemblies

Printer Stand and Waste Bottle

Printer Stand and Waste Bottle			
Reference on Drawing	HP Part Number	Quantity	Description/Comments
1	Q6670-60086	1	Leg Assembly
2	Q6670-60087	1	X-Brace Assembly
-	Q6670-60088	1	Hardware Kit
3	Q6670-60089	1	Foot Assembly
4	Q6670-60074	1	Waste Bottle
5	Q6670-60075	1	Waste Bottle Holder and Sensor
6	Q6670-60076	1	Waste Drainage Assembly

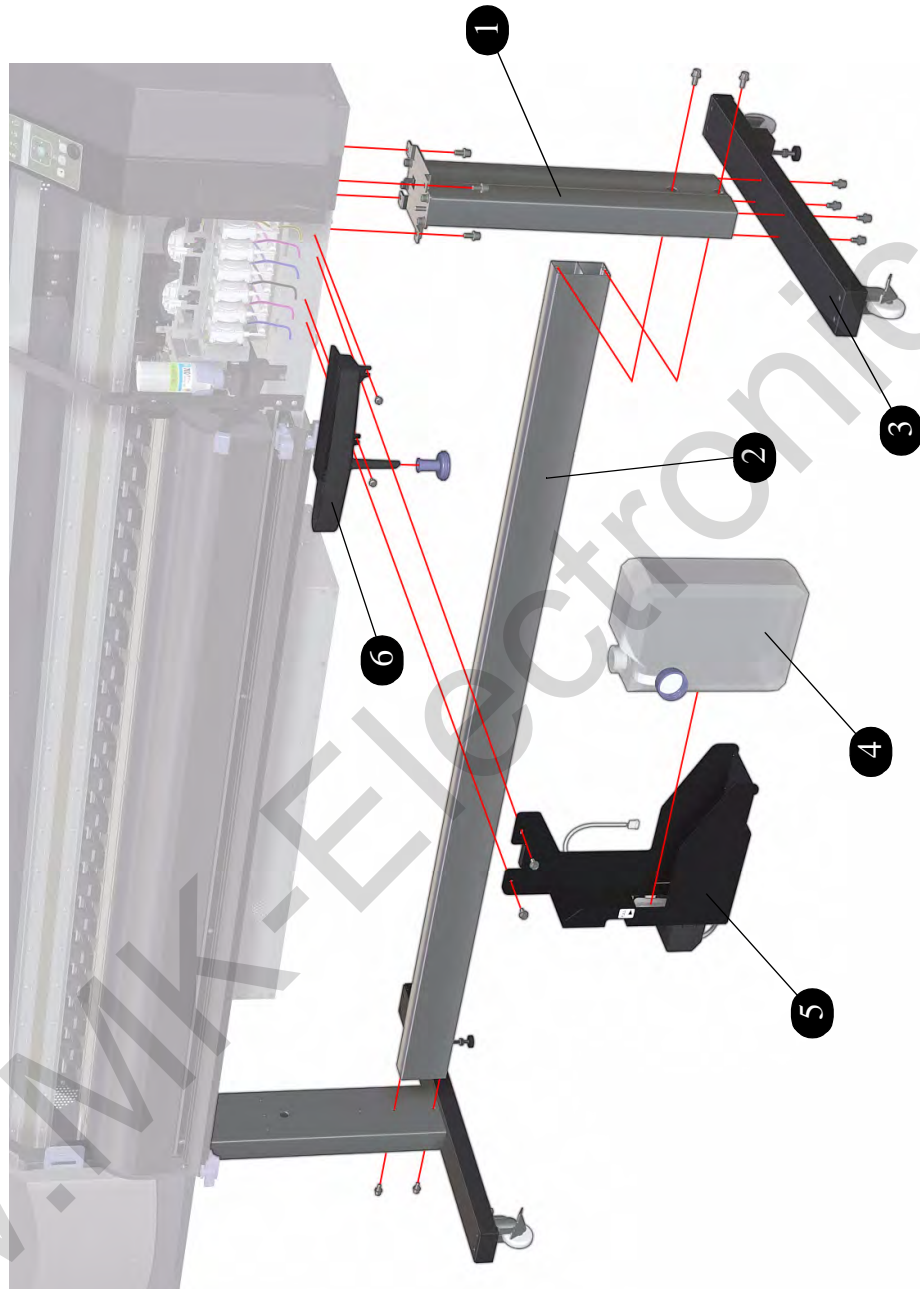


Figure 13: Printer Stand and Waste Bottle

Service Tools and Miscellaneous Items

Service Tools			
Reference on Drawing	HP Part Number	Quantity	Description/Comments
1	Q6670-60082	4	Carriage Height Adjustment Tool
2	Q6670-60081	1	Head Position Adjustment Tool
-	Q6670-60083	1	Transportation Kit
-	Q6670-60090	1	Service Preventive Maintenance Kit
-	Q6670-60091	1	CAR Kit
-	-	1	Push/Pull Gauge

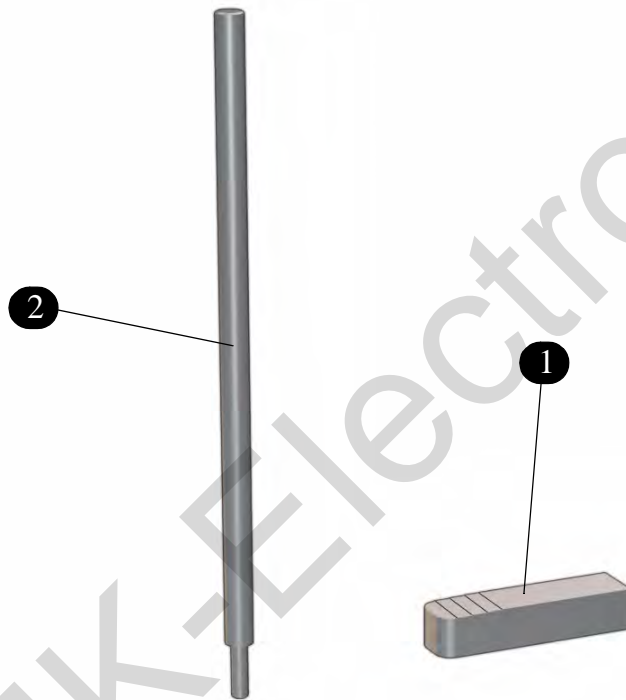


Figure 14: Service Tools

