



### Carriage Drive Parts

#### Belt

1 C4706-60082 Carriage belt (E-size) - Long/wide belt attached to the carriage

#### Bracket

2 C3195-40017 Carriage motor bracket

#### Bushing

3 C2858-40017 Rear slider rod bushing (Spring loaded) - Slides into the rear center of the carriage assembly

#### Cable

4 C3195-80009 Carriage assembly trailing cable - Two ribbon cables bundled together - 1.8m (6.0ft) long

#### Carriage

5 C4705-69113 Pen carriage assembly - Drafting 'Head' for the plotter (holds one black ink cartridge)  
REQUIRES RETURN OF DEFECTIVE PART

C4705-60113 *New Part for C4705-69113*

#### Clamp

6 C3195-40026 Ribbon cable clamp (top half) - Secures the trailing cable to the top of the carriage assembly

7 C3195-40027 Ribbon cable clamp (bottom half) - Secures the trailing cable to the top of the carriage assembly

#### Encoder

8 C2858-60010 Linear encoder IC - Detects carriage position as it moves along encoder strip  
NO LONGER SUPPLIED

#### Holder

9 C3195-40024 Cable holder (Small U-Shaped piece on top) - One of two pieces that hold the trailing cable to the main chassis

10 C3195-40025 Cable holder (Large piece on bottom) - One of two pieces that hold the trailing cable to the main chassis

#### Motor

11 C3195-60112 Carriage drive motor assembly - Includes motor and cable

#### Pulley

C3195-60169 Idler pulley - Applies tension to the left end of the carriage belt

#### Spring

13 C1633-80014 Compression spring - For the rear bushing on the carriage

14 C3195-80002 Compression spring - For the pulley wedge - Applies tension to the carriage belt

15 C4699-00016 Encoder spring

#### Strip

16 C4714-60098 Encoder strip assembly (E-size) - Includes encoder strip and encoder strip spring

#### Wedge

17 C3195-40039 Pulley wedge tensioner - For carriage (Y-axis) belt tension

### Electronic Accessories

#### Cable (Interface)

13242G RS-232C cable - 25 pin (M) to 25 pin (M) - 5.0m (16ft) long  
NO LONGER SUPPLIED

17255D RS-232C serial cable - 25 pin (M) to 25 pin (F) - 1.2m (3.9ft) long  
NO LONGER SUPPLIED

17302A RS-232C serial cable - 25 pin (M) to 8 pin (M) DIN - 1.5m (4.9ft) long  
NO LONGER SUPPLIED

24542G RS-232C serial cable - 25 pin (M) to 9 pin (F) - 3.0m (9.8ft) long - Used to connect to HP Vectra and IBM PC/AT compatibles

31391A RS-232C serial extension cable - 25 pin (M) to 25 pin (F) - 5.0m (16.4ft) long

5063-1256 IEEE-1284 Bi-Tronics parallel cable - DB-25 (M) connector (type A) to 36 pin Centronics (M) connector (type B) - 2.0m (6.6ft) long

5063-1257 IEEE-1284 Bi-Tronics parallel cable - DB-25 (M) connector (type A) to 36 pin Centronics (M) connector (type B) - 3.0m (9.8ft) long



## Electronic Accessories

### Cable (Interface)

C2913A	RS-232C serial cable - 25 pin (M) to 25 pin (F) - 1.2m (3.9ft) long NO LONGER SUPPLIED
C2950A	IEEE-1284 Bi-Tronics parallel cable - DB-25 (M) connector (type A) to 36 pin Centronics (M) connector (type B) - 2.0m (6.6ft) long
5063-1256	<i>New Part for C2950A</i>
C2951A	IEEE-1284 Bi-Tronics parallel cable - DB-25 (M) connector (type A) to 36 pin Centronics (M) connector (type B) - 3.0m (9.8ft) long
C2990A	IEEE-1284 Bi-Tronics parallel cable - DB-25 (M) (type A) to 36 pin (M) Centronics (type B) - 1.8m (6ft) long NO LONGER SUPPLIED
C2991A	IEEE-1284 Bi-Tronics parallel cable - DB-25 (M) (type A) to 36 pin (M) Centronics (type B) - 3.0m (10ft) long NO LONGER SUPPLIED

### Memory (Product)

C3132A	4MB, 70nS, 36-bit SIMM memory module - For HP LaserJet 4P, 4+, 4V, 5, 5N, 5M, 5P, 5Si NO LONGER SUPPLIED
C3146-67901	<i>New Part for C3132A</i>
C3133A	8MB, 70nS, 36-bit SIMM memory module - For HP LaserJet 4P, 4+, 4V, 5, 5N, 5M, 5P, 5Si NO LONGER SUPPLIED
C3146-67901	<i>New Part for C3133A</i>
D2297A	16MB, 70nS, 36-bit parity SIMM memory module NO LONGER SUPPLIED
D3578A	32MB, 70nS, 36-bit parity SIMM memory module NO LONGER SUPPLIED

### Memory (SIMM)

C3132-67901	4MB, 70nS, 36-bit parity SIMM memory module NO LONGER SUPPLIED
C3146-67901	<i>New Part for C3132-67901</i>
C3133-67901	8MB, 70nS, 36-bit parity SIMM memory module NO LONGER SUPPLIED
C3146-67901	<i>New Part for C3133-67901</i>
C3146-67901	16MB SIMM memory module
D2297-69001	16MB, 70nS, 36-bit SIMM memory module REQUIRES RETURN OF DEFECTIVE PART
D2297-63001	<i>New Part for D2297-69001</i>
D2298-69001	32MB, 70nS, 36-bit SIMM memory module REQUIRES RETURN OF DEFECTIVE PART
D3578-63001	<i>New Part for D2298-69001</i>
D3578-69001	32MB, 70nS, 36-bit parity SIMM memory module REQUIRES RETURN OF DEFECTIVE PART
D3578-63001	<i>New Part for D3578-69001</i>

### PostScript

C3198-60151	PostScript SIMM
C4707A	Adobe PostScript level 2 upgrade kit - Includes postscript ROM SIMM, Windows/Mac driver software and documentation

## Electronics/Power Supply

### Cable

42	C3196-60056	Power supply cable - Has 12 pin (F) connectors - 39.7cm (15.6 inches) long
43	C3196-60057	Ribbon cable assembly - Contains a 12 wire 1.1m (3.8ft) cable and a 14 wire 1.3m (4.2ft) cable - Connectors are a 28 pin (F) connector, three 6 pin (F) marked 'SVS', 'Bail', and 'Primer', a 4 pin (F), and a 4 pin (M)



## Electronics/Power Supply

### Fan

44 C3190-60137 Fan assembly

### Firmware

C4705-60117 Code ROM SIMM (Revision R.01.12 firmware) - Plugs into socket on the main logic board

### Front Panel

46 C3195-60038 Front (Control) panel and cable assembly - Includes function buttons and display

### Motor

47 C3195-60009 Bail stepper motor - Used to drive the bail assembly

### PC Board

48 C4705-69001 Main logic board - Includes integrated RS232-C (Serial) and bi-tronics/centronics (Parallel) interface ports  
REQUIRES RETURN OF DEFECTIVE PART

C4705-60001 *New Part for C4705-69001*

### Power Cord

8120-0698 Power cord (Black) - 18 AWG, 2.3m (7.5ft) long - Has straight (F) receptacle (For 220V/240V in the USA and Canada)

8120-1351 Power cord (Mint Gray) - 17 AWG, 2.3m (7.5ft) long - Has straight (F) receptacle (For 240V in the UK, Hong Kong, Singapore, Malaysia, and Brunei)

8120-1369 Power cord (Mint Gray) - 17 AWG, 2.0m (6.6ft) long - Has straight (F) receptacle (For 240V in Australia, New Zealand, and China)

8120-1378 Power cord (Jade Gray) - 18 AWG, 2.3m (7.5ft) long - Has straight (F) receptacle (For 120V in USA, Canada, Latin America, Korea, Taiwan, Thailand, Spain, Brazil, and Vietnam)

8120-1689 Power cord (Mint Gray) - 17 AWG, 2.0m (6.6ft) long - Has straight (F) receptacle (For 220V in Europe, Bangladesh, Indonesia, Pakistan, Burma, Sri Lanka, and Vietnam)

8120-2104 Power cord (Mint Gray) - 2.0m (6.6ft) long - Has straight (F) receptacle (For 220V in Switzerland)

8120-2956 Power cord (Mint Gray) - 2.0m (6.6ft) long - Has straight (F) receptacle (For 220V in Denmark)

8120-4211 Power cord (Mint Gray) - 17 AWG, 2.0m (6.6ft) long - Has straight (F) receptacle (For 240V in South Africa and India)

### Power Supply

57 0950-2623 Switching power supply (Delta DPS-158ABA) - 100-240VAC input, 47-63Hz - Four DC outputs (5.15V, +12V, -12V, 24V), 158 watts

### Sensor

58 C2858-60007 Optical primer sensor - Used to determine initial position of the primer assembly cam

59 C3195-60015 Sensor assembly (for lift-up window)

### Wiring Harness

60 C3195-60149 AC wiring harness - Includes power switch, AC receptacle, and connector

## External Case Parts

### Bin

61 C4706-60097 Media bin - Wire rack that mounts to the plotter stand legs and cross brace

### Cover

62 C1633-00031 MIO slot access cover

63 C3195-00009 SIMM slot access cover - Metal cover that mounts to the back cover/panel on the electronic enclosure assembly

64 C3196-60039 Cover assembly - Metal center cover that lift-up viewing window mounts to - Includes 'T' shaped latches and mounting screws

65 C3196-60053 Back cover/panel - Metal cover for the electronic enclosure assembly

66 C4705-60106 Left end cover

67 C4705-60114 Right end cover - Has cut outs for the control panel buttons lights and display - Does NOT include an overlay

68 C4706-60088 Unicover assembly - Plastic cover which is used in place of the center cover, electrical cover assembly, SIMM cover, and SIMM barrier



## External Case Parts

### Cross-Brace

69 C3193-60001 Cross-brace - Main structure that extends between stand legs

### Foot

70 C4696-60006 Foot assembly (includes casters)

### Hardware

0624-0771 Plastite screw (threaded insert mold-in, Textron K40) - M4.0 x 0.7, 20mm long, Torx T15

### Hardware Kit

72 C4704-60095 Hardware kit for printer stand - Includes screwdriver, screws, washers, and media bin retaining clips

### Housing

C4706-60092 Electronic housing assembly (PC board enclosure)

### Keycap

74 5041-1203 Power switch keycap (White)

### Latch

75 C3195-40060 Center cover latch - Two 'T' shaped latches are used to connect ends of center cover to left and right end covers

### Leg

76 C4696-60007 Leg assembly - Side support for the plotter - Does NOT include the foot assembly

### Nameplate/Logo

77 C4705-00020 Nameplate - DesignJet 700

### Overlay

78 C4705-60031 Front panel overlay (Self adhesive) - Shows the function of the front panel buttons and indicator lights (English)

79 C4705-60032 Front panel overlay (Self adhesive) - Shows the function of the front panel buttons and indicator lights (Korean)

80 C4705-60033 Front panel overlay (Self adhesive) - Shows the function of the front panel buttons and indicator lights (Taiwan)

81 C4705-60034 Front panel overlay (Self adhesive) - Shows the function of the front panel buttons and indicator lights (German)

82 C4705-60035 Front panel overlay (Self adhesive) - Shows the function of the front panel buttons and indicator lights (French)

83 C4705-60036 Front panel overlay (Self adhesive) - Shows the function of the front panel buttons and indicator lights (Spanish)

84 C4705-60037 Front panel overlay (Self adhesive) - Shows the function of the front panel buttons and indicator lights (Italian)

85 C4705-60038 Front panel overlay (Self adhesive) - Shows the function of the front panel buttons and indicator lights (Japan)

86 C4705-60039 Front panel overlay (Self adhesive) - Shows the function of the front panel buttons and indicator lights (Portuguese)

87 C4705-60040 Front panel overlay (Self adhesive) - Shows the function of the front panel buttons and indicator lights (Chinese)

### Window

88 C4706-60087 Lift-up viewing window

## Optional Interfaces

### Interface (Module)

89 J4101-61011 External JetDirect 300X print server module (10Base-T and 100Base-T) - Connects between printer parallel port and LAN network - Does NOT include power module - (J4101A, J4101B)

### Interface (Product)

90 J2550B EtherTwist (10Base-T) LAN interface board  
NO LONGER SUPPLIED

91 J2552B LAN & LocalTalk interface - Has EtherTwist (10Base-T), ThinLAN (10Base-2), and LocalTalk (DIN-8) connectors  
NO LONGER SUPPLIED

92 J2555B Token ring LAN interface board - DB-9 and RJ-45 connectors  
NO LONGER SUPPLIED

93 J2590A External JetDirect LAN interface module with RJ-45 connector for EtherTwist (10Base-T) or 100VG/802.12 input and 3 parallel (DB-25) output connectors  
NO LONGER SUPPLIED

94 J2591A External JetDirect LAN interface module and power module - Has EtherTwist (10Base-T) and ThinLAN (10Base-2) connectors  
NO LONGER SUPPLIED



## Optional Interfaces

### Interface (Product)

95	J3258B	External JetDirect 170X LAN interface module - Interfaces a parallel printer to an ethernet 10Base-T (RJ-45) LAN
96	J3264A	External JetDirect 500X token ring interface module - Interfaces up to 3 parallel printers to a token ring (DB-9 or RJ-45) LAN
97	J3265A	External JetDirect 500X LAN interface module - Interfaces up to 3 parallel printers to an ethernet 10Base-T (RJ-45), 10Base2 (BNC), or 100Base-TX (RJ-45) LAN

### Module

98	J2382-69003	External JetDirect LAN interface module with ethertwist (10Base-T) and ThinLAN (10BASE-2) connectors
99	J2383-61005	External token ring interface module - Has DB-9 connector
100	J2590-69001	External JetDirect LAN interface module with RJ-45 connector for ethertwist (10Base-T) or 100VG/802.12 input and 3 parallel (DB-25) output connectors REQUIRES RETURN OF DEFECTIVE PART <i>J2590-61011</i> <i>New Part for J2590-69001</i>
101	J2591-69001	External JetDirect LAN interface module with ethertwist (10Base-T) and ThinLAN (10BASE-2) connectors
102	J2592-69001	External JetDirect LAN interface module with ethertwist (10Base-T) connector REQUIRES RETURN OF DEFECTIVE PART <i>J2592-61001</i> <i>New Part for J2592-69001</i>
103	J2593-69001	External JetDirect LAN interface module with Ethertwist (10Base-T) and ThinLAN (10BASE-2) input connectors and 3 parallel (DB-25) output connectors - (part of J2593A)
104	J2594-69001	External JetDirect token ring interface module with DB-9 and RJ-45 input connectors and 3 parallel (DB-25) output connectors - (part of J2594A) REQUIRES RETURN OF DEFECTIVE PART <i>J2594-61011</i> <i>New Part for J2594-69001</i>
105	J3258-61011	External JetDirect LAN interface module with EtherTwist (10Base-T) connector - (J3258A, J3258B)
106	J4102-69011	External JetDirect LAN interface module with EtherTwist (10Base-T) connector - (J4102A, J4102B) REQUIRES RETURN OF DEFECTIVE PART <i>J4102-61011</i> <i>New Part for J4102-69011</i>

### Module (Product)

107	J4101B	External JetDirect LAN interface module with EtherTwist (10Base-T/Base-TX) connector
108	J4102B	External JetDirect LAN interface module with EtherTwist (10Base-T) connector

### PC Board (Interface)

109	J2550-69013	EtherTwist 10Base-T LAN interface board
110	J2552-69013	LAN and LocalTalk interface - EtherTwist (10Base-T), ThinLAN (10Base-2), and LocalTalk (DIN-8) connectors
111	J2555-69013	Token ring LAN interface board - DB-9 and RJ-45 connectors

### Power Cord

8120-1351	Power cord (Mint Gray) - 17 AWG, 2.3m (7.5ft) long - Has straight (F) receptacle (For 240V in the UK, Hong Kong, Singapore, Malaysia, and Brunei)
8120-1369	Power cord (Mint Gray) - 17 AWG, 2.0m (6.6ft) long - Has straight (F) receptacle (For 240V in Australia, New Zealand, and China)
8120-1378	Power cord (Jade Gray) - 18 AWG, 2.3m (7.5ft) long - Has straight (F) receptacle (For 120V in USA, Canada, Latin America, Korea, Taiwan, Thailand, Spain, Brazil, and Vietnam)
8120-1689	Power cord (Mint Gray) - 17 AWG, 2.0m (6.6ft) long - Has straight (F) receptacle (For 220V in Europe, Bangladesh, Indonesia, Pakistan, Burma, Sri Lanka, and Vietnam)
8120-2104	Power cord (Mint Gray) - 2.0m (6.6ft) long - Has straight (F) receptacle (For 220V in Switzerland)
8120-2956	Power cord (Mint Gray) - 2.0m (6.6ft) long - Has straight (F) receptacle (For 220V in Denmark)
8120-4753	Power cord (Flint Gray) - 18 AWG, 2.3m (7.5ft) long - Has straight (F) receptacle (For 100V in Japan)
8120-6302	'Daisy chain' power cord (Dove Gray) - 18 AWG, 1.2m (4.0ft) long - Has C14 (M) plug for power input and C13 (F) plug for power output



## Optional Interfaces

### Power Module

0950-2372	Power supply module - 100-240VAC input, 47-63Hz, requires separate AC power cord - 5VDC output, 1A, 5 watts - For J2382/83A/B
0950-3169	Wall mount power supply module - 110-127V AC 57-63Hz input - 13V DC output at 300mA (USA, Canada) - For use with the J2592A external JetDirect LAN interface module
0950-3170	Power supply module - 209-253VAC input, 47-53Hz - 13VDC output, 300mA (Europe, Israel) - For use with the J2592A external JetDirect LAN interface module
0950-3171	Power supply module - 220-240VAC input, 47-53Hz - 13VDC output, 300mA (U.K., Hong Kong) - For use with the J2592A external JetDirect LAN interface module
0950-3172	Power supply module - 240VAC input, 47-53Hz - 13VDC output, 300mA (Australia) - For use with the J2592A external JetDirect LAN interface module
0950-3348	Wall mount power supply module (MEI-AH ED12006) - 110-127VAC input, 57-63Hz - 13VDC output, 800mA, 10.4 watts (for use in the United States and Canada) - For models J2590/91/93/94A, J2964A, J3258A/B, J3263/64/65A, J3282B, J4101A/B, J4102A/B
0950-3349	Wall mount power supply module (MEI-AH ED12007) - 230VAC input, 47-53Hz - 13VDC output, 800mA, 10.4 watts (for use in Europe and Israel) - For JetDirect/infrared interface models J2590/91/93/94A, J2964A, J3258A/B, J3263/64/65A, J3282B, J4101A/B, J4102A/B
0950-3350	Wall mount power supply module (MEI-AH ED12008) - 220-240VAC input, 47-53Hz - 13VDC output, 800mA, 10.4 watts (for use in the United Kingdom) - For JetDirect/infrared interfaces J2590/91/93/94A, J2964A, J3258A/B, J3263/64/65A, J3282B, J4101A/B, J4102A/B
0950-3351	Wall mount power supply module (MEI-AH ED12009) - 220VAC input, 47-63Hz - 13VDC output, 800mA, 10.4 watts (for use in South Korea) - For JetDirect/infrared interface models J2590/91/93/94A, J2964A, J3258A/B, J3263/64/65A, J3282B, J4101A/B, J4102A/B
0950-3352	Wall mount power supply module (MEI-AH ED12010) - 100VAC input, 47-63Hz - 13VDC output, 800mA, 10.4 watts (for use in Japan) - For JetDirect/infrared interface models J2590/91/93/94A, J2964A, J3258A/B, J3263/64/65A, J3282B, J4101A/B, J4102A/B
0950-3354	Wall mount power supply module (MEI-AH ED12010) - 220-250VAC input, 47-53Hz - 13VDC output, 800mA, 10.4 watts (for use in South Africa) - For JetDirect/infrared interface models J2590/91/93/94A, J2964A, J3258A/B, J3263/64/65A, J3282B, J4101A/B, J4102A/B
9100-5176	Wall mount power supply module (Leader Electronics 48130625HK) - 200VAC input, 48-52Hz - 13VDC output, 625mA (Hong Kong) - For JetDirect Modules and Infrared Interface Models J2590/91/93/94A, J2964A, J3258A/B, J3263/64/65A, J3282B, J4101A/B, J4102A/B
0950-3350	<i>New Part for 9100-5176</i>

## Other Accessories

### CD-ROM (Support)

C7769-90066	DesignJet support CD ROM - Version A.04.01 - Has product information, user's manuals, service manuals, diagnostic software, test drawings, newsletters, and service notes
-------------	---

### Cartridge

51645A	Black print cartridge (High capacity) - Prints approximately 840 pages based on 5% density on a 8 inch by 10 inch print area (for USA)
51645AA	Black print cartridge (High capacity) - Prints approximately 840 pages based on 5% density on a 8 inch by 10 inch print area (for Asia/Pacific)
51645AC	Black print cartridge (high capacity) - Prints approximately 840 pages based on 5% density on a 8 inch by 10 inch print area (for Canada)
51645AE	Black print cartridge (high capacity) - Prints approximately 840 pages based on 5% density on a 8 inch by 10 inch print area (for Europe)
51645AL	Black print cartridge (high capacity) - Prints approximately 840 pages based on 5% density on a 8 inch by 10 inch print area (for Latin America)
51645G	Black print cartridge (economy) - Prints approximately 415 pages based on 5% density on a 8 inch by 10 inch print area (for USA)
51645GA	Black print cartridge (economy) - Prints approximately 415 pages based on 5% density on a 8 inch by 10 inch print area (for Asia/Pacific)
51645GC	Black print cartridge (economy) - Prints approximately 415 pages based on 5% density on a 8 inch by 10 inch print area (for Canada)



## Other Accessories

### Cartridge

- 51645GE Black print cartridge (economy) - Prints approximately 415 pages based on 5% density on a 8 inch by 10 inch print area (for Europe)
- 51645GL Black print cartridge (economy) - Prints approximately 415 pages based on 5% density on a 8 inch by 10 inch print area (for Latin America)
- C6613AN Black print cartridges (High capacity) - (2 pack of 51645A) each prints approximately 840 pages based on 5% density on a 8 inch (20.3cm) by 10 inch (25.4cm) print area (for USA)  
NO LONGER SUPPLIED

### Cleaning Supplies

- C6247A DesignJet cleaning kit - Includes cleaning solution and 20 cleaning rags

### Kit

- C4698A Color management kit - Includes pantone tables for Windows & Macintosh applications, Kodak precision profiles, Photoshop & IGC profiles in 4 disks, and color management user guide  
NO LONGER SUPPLIED

### Label

- C3195-00057 Safety label - Provides warning that encoder strip is sharp

### Lubricant

- 6040-0854 Synthetic Oil (1/2oz Plastic Bottle - for lubricating the front and rear slider rods)
- 6040-0855 Synthetic oil - 4oz (113g) plastic bottle

### Maintenance Kit

- C3195-69166 Maintenance kit - Includes service station (spittoon) assembly, carriage (Y-Axis) motor, encoder strip, and lubricating oil  
REQUIRES RETURN OF DEFECTIVE PART
- C3195-60166 New Part for C3195-69166*

### Manual

- 5959-9733 HP-GL/2 & HP RTL reference guide - Programming information, handbook for developers
- C4705-60023 DesignJet 700/750C Plus manual kit - Includes user's guide, quick reference guide, and front panel overlay (Taiwan)  
NO LONGER SUPPLIED
- C4705-90000 DesignJet 700, 750C, 750C plus and 755CM service manual (2nd edition, August 1996) - Note: Coverage limited to C3195A, C3196A, C3198A, C3198B, C4705A, C4706A, C4708A, and C4709A

### Manual Kit

- C4705-60021 DesignJet 700/750C Plus manual kit - Includes user's guide, quick reference guide, and front panel overlay (English)
- C4705-60022 DesignJet 700/750C Plus manual kit - Includes user's guide, quick reference guide, and front panel overlay (Korean)  
NO LONGER SUPPLIED
- C4705-60024 DesignJet 700/750C Plus manual kit - Includes user's guide, quick reference guide, and front panel overlay (German)  
NO LONGER SUPPLIED
- C4705-60025 DesignJet 700/750C Plus manual kit - Includes user's guide, quick reference guide, and front panel overlay (French)  
NO LONGER SUPPLIED
- C4705-60026 DesignJet 700/750C Plus manual kit - Includes user's guide, quick reference guide, and front panel overlay (Spanish)  
NO LONGER SUPPLIED
- C4705-60027 DesignJet 700/750C Plus manual kit - Includes user's guide, quick reference guide, and front panel overlay (Italian)  
NO LONGER SUPPLIED
- C4705-60028 DesignJet 700/750C Plus manual kit - Includes user's guide, quick reference guide, and front panel overlay (Japanese)  
NO LONGER SUPPLIED
- C4705-60029 DesignJet 700/750C Plus manual kit - Includes user's guide, quick reference guide, and front panel overlay (Portuguese)  
NO LONGER SUPPLIED
- C4705-60030 DesignJet 700/750C Plus manual kit - Includes user's guide, quick reference guide, and front panel overlay (Chinese)  
NO LONGER SUPPLIED



## Other Accessories

### Packaging

- C3196-00031 Repackaging kit - For stand/legs of plotter
- C3196-60113 Repackaging kit - For main plotter unit  
NO LONGER SUPPLIED

### Return Kit

- 5183-5268 Return kit with box and instructions - For returning defective Thermal InkJet (TIJ) 2.5 InkJet cartridges covered under the CREW program - For USA
- 5184-2833 Return kit with box and instructions - For returning defective Thermal InkJet (TIJ) 2.5 InkJet cartridges covered under the CREW program - For use outside of the USA

### Software

- C6072-60281 Toolbox and driver software - HP-GL/2 and RTL drivers for Windows 3.1/95/98/NT 4.0 (all DesignJets), and toolbox software for Windows 95/NT 4.0 (Only for DesignJet 430/450C/455CA/1050C/1055CM) - On 3.5-inch 1.44MB floppy disks (English)
- C6072-60284 Toolbox and driver software - HP-GL/2 and RTL drivers for Windows 3.1/95/98/NT 4.0 (all DesignJets), and toolbox software for Windows 95/NT 4.0 (Only for DesignJet 430/450C/455CA/1050C/1055CM) - On 3.5-inch 1.44MB floppy disks (German)
- C6072-60285 Toolbox and driver software - HP-GL/2 and RTL drivers for Windows 3.1/95/98/NT 4.0 (all DesignJets), and toolbox software for Windows 95/NT 4.0 (Only for DesignJet 430/450C/455CA/1050C/1055CM) - On 3.5-inch 1.44MB floppy disks (French)
- C6072-60286 Toolbox and driver software - HP-GL/2 and RTL drivers for Windows 3.1/95/98/NT 4.0 (all DesignJets), and toolbox software for Windows 95/NT 4.0 (Only for DesignJet 430/450C/455CA/1050C/1055CM) - On 3.5-inch 1.44MB floppy disks (Spanish)
- C6072-60287 Toolbox and driver software - HP-GL/2 and RTL drivers for Windows 3.1/95/98/NT 4.0 (all DesignJets), and toolbox software for Windows 95/NT 4.0 (Only for DesignJet 430/450C/455CA/1050C/1055CM) - On 3.5-inch 1.44MB floppy disks (Italian)
- C6072-60301 HP-GL/2 driver software for AutoCAD - For DOS and Windows 3.1/95/NT 4.0 - On 3.5-inch 1.44MB floppy disks (English)
- C6072-60304 HP-GL/2 driver software for AutoCAD - For DOS and Windows 3.1/95/NT 4.0 - On 3.5-inch 1.44MB floppy disks (German)
- C6072-60305 HP-GL/2 driver software for AutoCAD - For DOS and Windows 3.1/95/NT 4.0 - On 3.5-inch 1.44MB floppy disks (French)
- C6072-60306 HP-GL/2 driver software for AutoCAD - For DOS and Windows 3.1/95/NT 4.0 - On 3.5-inch 1.44MB floppy disks (Spanish)
- C6072-60307 HP-GL/2 driver software for AutoCAD - For DOS and Windows 3.1/95/NT 4.0 - On 3.5-inch 1.44MB floppy disks (Italian)
- C6071-60368 ZEHRaster software for UNIX - Allows TIFF and JPEG printing on DesignJet 700 series, 1000 series, and CP series (Japanese)
- C7779-60040 ZEHRaster software for UNIX - Allows TIFF and JPEG printing on DesignJet 700 series, 1000 series, and CP series (Chinese)
- C7779-60041 ZEHRaster software for UNIX - Allows TIFF and JPEG printing on DesignJet 700 series, 1000 series, and CP series (English)
- C7779-60042 ZEHRaster software for UNIX - Allows TIFF and JPEG printing on DesignJet 700 series, 1000 series, and CP series (Korean)
- C7779-60043 ZEHRaster software for UNIX - Allows TIFF and JPEG printing on DesignJet 700 series, 1000 series, and CP series (Taiwanese)
- C7779-60044 ZEHRaster software for UNIX - Allows TIFF and JPEG printing on DesignJet 700 series, 1000 series, and CP series (German)
- C7779-60045 ZEHRaster software for UNIX - Allows TIFF and JPEG printing on DesignJet 700 series, 1000 series, and CP series (French)
- C7779-60046 ZEHRaster software for UNIX - Allows TIFF and JPEG printing on DesignJet 700 series, 1000 series, and CP series (Spanish)
- C7779-60047 ZEHRaster software for UNIX - Allows TIFF and JPEG printing on DesignJet 700 series, 1000 series, and CP series (Italian)



## Other Accessories

### Training Kit

- C3195+49A-60001 Self paced training kit for DesignJet 750C/755CM plotters - Includes service manual, NTSC format video (VHS), test and return envelope
- C3195+49A-60002 Self paced training kit for DesignJet 750C/755CM plotters - Includes service manual, PAL format video, test, and return envelope

### Training Test

- C3195-94001 Additional self paced training test - Contains 1 test for DesignJet 750C, 755CM

## Other Internal Parts

### Cover

- 188 C3195-40047 Housing cover (L-shaped) - Right side cover (Cap) for the power switch housing (for enclosing the power switch)

### Cutter

- 189 C2858-60021 Cutter mechanism assembly - Auto cutter for rollfeed paper

### Enclosure

- C3196-60029 Cutter assembly enclosure bar - Mounts to left and right side side plates of chassis (Mounting bar for the media guides)

### Guide

- 191 C3195-40045 Media guide

### Housing

- 192 C3180-40012 Switch housing (mount) - For protecting the power switch

### Insulator

- 193 C3190-00016 Insulator - Mounts between the power supply and main cover/panel of the electronic enclosure assembly  
NO LONGER SUPPLIED

### Primer

- 194 C4705-60109 Primer assembly - Mounts under the service station assembly on the left side of the plotter

### Service Station

- 195 C3195-69165 Service station assembly - For conditioning the ink cartridges when the carriage is in its home position  
REQUIRES RETURN OF DEFECTIVE PART
- C3195-60165 *New Part for C3195-69165*

### Shield

- 196 C3195-80005 RFI shield (Gasket) - Braided shield with adhesive strip attached to electronic housing  
NO LONGER SUPPLIED
- 197 C4704-40050 SIMM module shield (Barrier) - Protective metal rectangular housing

### Spittoon

- 198 C3195-60027 Spittoon assembly - Contains absorbers which hold excess ink from cartridges

## Paper Drive Parts

### Bail

- C3196-60118 Bail assembly - Mounting strip assembly for the starwheel mount assemblies (Not included) - Extends width of plotter

### Cable

- 274 C3195-60102 Ribbon cable with ferrite - Has 5 pin (F) connectors - 16.5cm (6.5 inches) long

### Gear

- 275 C1633-40019 Overdrive gear cluster

### Gear Assembly

- 276 C4705-60089 Clutch / overdrive gear assembly

### Motor

- 277 C3195-60009 Bail stepper motor - Used to drive the bail assembly



### Paper Drive Parts

#### Motor/Gear

278 C4705-60068 Paper (X-axis) drive motor (includes helical drive gear - NOTE: motor and gear are only sold as a set)

#### Overdrive Assy

279 C4706-60121 Overdrive support assembly (E)

#### Platen

280 C3196-60173 Entry Platen Assembly - Cover/guide that is next to the paper drive (Platen) roller

#### Roller

281 C4700-60042 Paper drive (Platen) roller assembly - Long gear driven roller - Includes roller and mark encoder

#### Sensor

282 C3190-60140 Media sensor mechanical assembly - Includes, edge measuring and secondary levers, media sensor and holder

#### Starwheel Mount

283 C4713-60035 Starwheel mount assembly - Includes cover, body, spring and two starwheels

### Paper and Other Media

#### Film (Clear)

C3876A Clear film (4 mil) - 61cm (24in) x 22.9m (75ft) roll

C3875A Clear film (4 mil) - 91.4cm (36in) x 22.9m (75ft) roll

#### Film (Glossy)

C1829A High-gloss white film - A1 size (59.4cm x 84.1cm) - 125 sheets  
NO LONGER SUPPLIED

C1827A High-gloss white film - Architectural D size (24 x 36-inches) - 100 sheets  
NO LONGER SUPPLIED

C3886A High gloss white film (4 mil) - 61cm (24in) x 30.5m (100ft) roll

C1828A High-gloss white film - A0 size (84.1cm x 118.9cm) - 125 sheets  
NO LONGER SUPPLIED

C1826A High-gloss white film - Architectural E size (36 x 48-inches) - 100 sheets  
NO LONGER SUPPLIED

C3885A *New Part for C1826A*

C3885A High gloss white film (4 mil) - 91.4cm (36in) x 30.5m (100ft) roll

#### Film (Matte)

51642C Polyester matte film - B size (11 x 17-inches) - 40 sheets  
NO LONGER SUPPLIED

51642A *New Part for 51642C*

51642G Polyester matte film - D size (22 x 34-inches) - 40 sheets  
NO LONGER SUPPLIED

51642A *New Part for 51642G*

51642H Polyester matte film - A1 size (59.4cm x 84.1cm) - 40 sheets  
NO LONGER SUPPLIED

51642A Polyester matte film - 61cm (24in) x 36.6m (120ft) roll

51642J Polyester matte film - Architectural D size (24 x 36-inches) - 40 sheets  
NO LONGER SUPPLIED

51642A *New Part for 51642J*

51642M Polyester matte film - A0 size (84.1cm x 118.9cm) - 40 sheets  
NO LONGER SUPPLIED

51642K Polyester matte film - E size (34 x 44-inches) - 40 sheets  
NO LONGER SUPPLIED

51642B Polyester matte film - 91.4cm (36in) x 36.6m (120ft) roll

51642N Polyester matte film - Architectural E size (36 x 48-inches) - 40 sheets  
NO LONGER SUPPLIED



### Paper and Other Media

#### Paper

C7923A	Basic Heavyweight Paper - 61cm (24in) x 30.5m (100ft) (USA and Asia/Pacific)
C7924A	Basic Heavyweight Paper - 91.4cm (36in) x 30.5m (100ft) (USA and Asia/Pacific)
C7929A	Super Heavyweight Paper - 61cm (24in) x 22.9m (75ft) (USA and Asia/Pacific)
C7930A	Super Heavyweight Paper - 91.4cm (36in) x 22.9m (75ft) (USA and Asia/Pacific)
C3853A	Opaque bond paper - D size (22 x 34-inches) - 100 sheets NO LONGER SUPPLIED
C3857A	Opaque bond paper - A1 size (59.4cm x 84.1cm) - 125 sheets NO LONGER SUPPLIED
C3851A	Opaque bond paper - 61cm (24in) x 45.7m (150ft) roll NO LONGER SUPPLIED
C3855A	Opaque bond paper - Architectural D size (24 x 36-inches) - 100 sheets NO LONGER SUPPLIED
C1860A	<i>New Part for C3855A</i>
C3856A	Opaque bond paper - A0 size (84.1cm x 118.9cm) - 125 sheets NO LONGER SUPPLIED
C3852A	Opaque bond paper - E size (34 x 44-inches) - 100 sheets NO LONGER SUPPLIED
C3850A	Opaque bond paper - 91.4cm (36in) x 45.7m (150ft) roll NO LONGER SUPPLIED
C3854A	Opaque bond paper - Architectural E size (36 x 48-inches) - 100 sheets NO LONGER SUPPLIED

#### Paper (Bright White)

C6810A	Bright white InkJet paper - 91.4cm (36in) x 91.4m (300ft) roll
C1860A	Bright white InkJet paper - 61cm (24in) x 45.7m (150ft) roll
C1861A	Bright white InkJet paper - 91.4cm (36in) x 45.7m (150ft) roll

#### Paper (Coated)

C8281A	Basic Coated Paper - 61cm (24in) x 45.7m (150ft) (USA and Asia/Pacific)
C8282A	Basic Coated Paper - 91.4cm (36in) x 45.7m (150ft) roll (USA and Asia/Pacific)
C1831A	Coated paper - D size (22 x 34-inches) - 100 sheets NO LONGER SUPPLIED
C1835A	Coated paper - A1 size (59.4cm x 84.1cm) - 125 sheets NO LONGER SUPPLIED
C1833A	Coated paper - Architectural D size (24 x 36-inches) - 100 sheets NO LONGER SUPPLIED
C3880A	Heavyweight coated paper (6 mil) - 61cm (24in) x 30.5m (100ft) roll NO LONGER SUPPLIED
C6019B	Coated paper (98 gsm) - 61cm (24in) x 45.7m (150ft) roll (USA, Canada, and Latin America)
C6021B	Heavyweight coated paper - 61cm (24in) x 30.5m (100ft) roll (USA, Canada, and Latin America) NO LONGER SUPPLIED
C6029C	Heavyweight coated paper - 61cm (24in) x 30.5m (100ft) roll - For regular or UV resistant ink
C1834A	Coated paper - A0 size (84.1cm x 118.9cm) - 125 sheets NO LONGER SUPPLIED
C1830A	Coated paper - E size (34 x 44-inches) - 100 sheets NO LONGER SUPPLIED
C1832A	Coated paper - Architectural E size (36 x 48-inches) - 100 sheets NO LONGER SUPPLIED
C3879A	Heavyweight coated paper (6 mil) - 91.4cm (36in) x 30.5m (100ft) roll NO LONGER SUPPLIED
C6020B	Coated paper (98 gsm) - 91.4cm (36in) x 45.7m (150ft) roll (USA, Canada, and Latin America)



## Paper and Other Media

### Paper (Coated)

- C6022B Heavyweight coated paper - 91.4cm (36in) x 30.5m (100ft) roll (USA, Canada, and Latin America)  
NO LONGER SUPPLIED
- C6030C Heavyweight coated paper - 91.4cm (36in) x 30.5m (100ft) roll - For regular or UV resistant ink

### Paper (Glossy)

- C8315A High Gloss Photo Paper - 61cm (24in) x 30.5m (100ft) (USA and Asia/Pacific)
- C8316A High Gloss Photo Paper - 91.4cm (36in) x 30.5m (100ft) (USA and Asia/Pacific)
- C3882A High gloss photo paper - 61cm (24in) x 30.5m (100ft) roll
- C3881A High gloss photo paper - 91.4cm (36in) x 30.5m (100ft) roll

### Paper (Photo)

- C8310A Basic Photo Satin paper - 61cm (24in) x 30.5m (100ft) (USA and Asia/Pacific)
- C8311A Basic Photo Satin paper - 91.4cm (36in) x 30.5m (100ft) (USA and Asia/Pacific)

### Paper (Semi-Glossy)

- C3884A Semi-gloss photo paper - 61cm (24in) x 30.5m (100ft) roll  
NO LONGER SUPPLIED
- C3883A Semi-gloss photo paper - 91.4cm (36in) x 30.5m (100ft) roll

### Paper (Tracing)

- C3873A Natural tracing paper - A1 size (59.4cm x 84.1cm) - 125 sheets  
NO LONGER SUPPLIED
- C3869A Natural tracing paper - 61cm (24in) x 45.7m (150ft) roll
- C3872A Natural tracing paper - A0 size (84.1cm x 118.9cm) -125 sheets  
NO LONGER SUPPLIED
- C3868A Natural tracing paper - 91.4cm (36in) x 45.7m (150ft) roll

### Paper (Translucent)

- C3891A Translucent bond paper - D size (22 x 34-inches) - 100 sheets  
NO LONGER SUPPLIED
- C3893A Translucent bond paper - A1 size (59.4cm x 84.1cm) - 125 sheets  
NO LONGER SUPPLIED
- C3860A Translucent bond paper - 61cm (24in) x 45.7m (150ft) roll
- C3896A Translucent bond paper - Architectural D size (24 x 36-inches) - 100 sheets  
NO LONGER SUPPLIED
- C3892A Translucent bond paper - A0 size (84.1cm x 118.9cm) - 125 sheets  
NO LONGER SUPPLIED
- C3890A Translucent bond paper - E size (34 x 44-inches) - 100 sheets  
NO LONGER SUPPLIED
- C3859A Translucent bond paper - 91.4cm (36in) x 45.7m (150ft) roll
- C3894A Translucent bond paper - Architectural E size (36 x 48-inches) - 100 sheets  
NO LONGER SUPPLIED

### Vellum

- C3864A Vellum (75 gsm) - D size (22 x 34-inches), 20 lb, 3.0 mil - 100 sheets  
NO LONGER SUPPLIED
- C3862A Vellum - 61cm (24in) x 45.7m (150ft) roll
- C3866A Vellum (75 gsm) - Architectural D size (24 x 36-inches), 20 lb, 3.0 mil - 100 sheets  
NO LONGER SUPPLIED
- C3862A *New Part for C3866A*
- C3863A Vellum (75 gsm) - E size (34 x 44-inches) 20 lb, 3.0 mil - 100 sheets  
NO LONGER SUPPLIED
- C3861A Vellum - 91.4cm (36in) x 45.7m (150ft) roll
- C3865A Vellum (75 gsm) - Architectural E size (36 x 48-inches), 20 lb, 3.0 mil - 100 sheets  
NO LONGER SUPPLIED



## Pincharm Assembly Parts

### Bushing

284 C1633-40082 Pincharm spring retaining bushing

### Cam

285 C1633-20012 Pinch arm bar cam (E-size) - Long rod from left to right side of printer - Used to lift the pinch arms

### Lift Assembly

286 C3195-60116 Pincharm lift assembly - Does NOT include pincharm bar cam - Includes pinchwheel manual lift handle, spring, sensor, rocker plate, cam drive, cam journals, wire linkages, nuts, screws, and washer

### Pincharm

287 C4705-60091 Pincharm assembly - Curved black plastic plate with 4 small rollers (Does NOT include spring or bushing)

### Spring

288 C1633-80005 Compression spring between pincharm assembly and bushing

## Roll Feed Parts

### Brake/Housing

289 C4704-60199 Brake/housing assembly (on right side) - Accepts the flange end of the spindle rod assembly - Includes the 2 housing pieces, 2 brake shoes, brake gear, brake lever, and springs

### Cover

290 C4706-60084 Rollfeed access cover - Opens forward to allow access to paper spindle assembly - Includes cover and springs

### End Cap

291 C2858-40043 Spindle end cap (small) (or core spacer) - Removes for loading the media roll

292 C3172-40006 Spindle end cap (large)

### Housing

293 C4704-60082 Housing assembly (on left side)

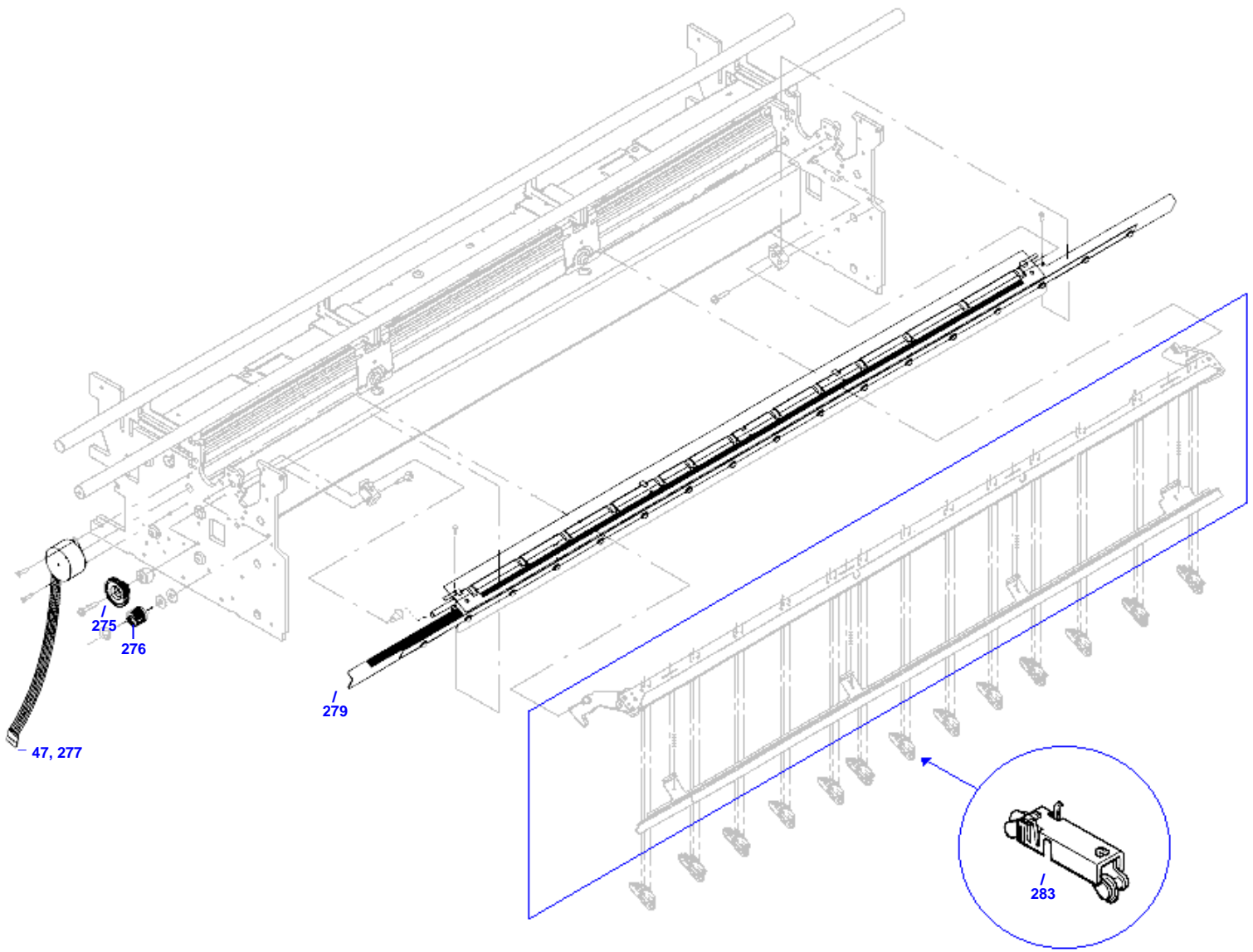
### Spindle Kit

C2848-60011 Rollfeed spindle rod assembly (E-size) - Includes spindle and end caps

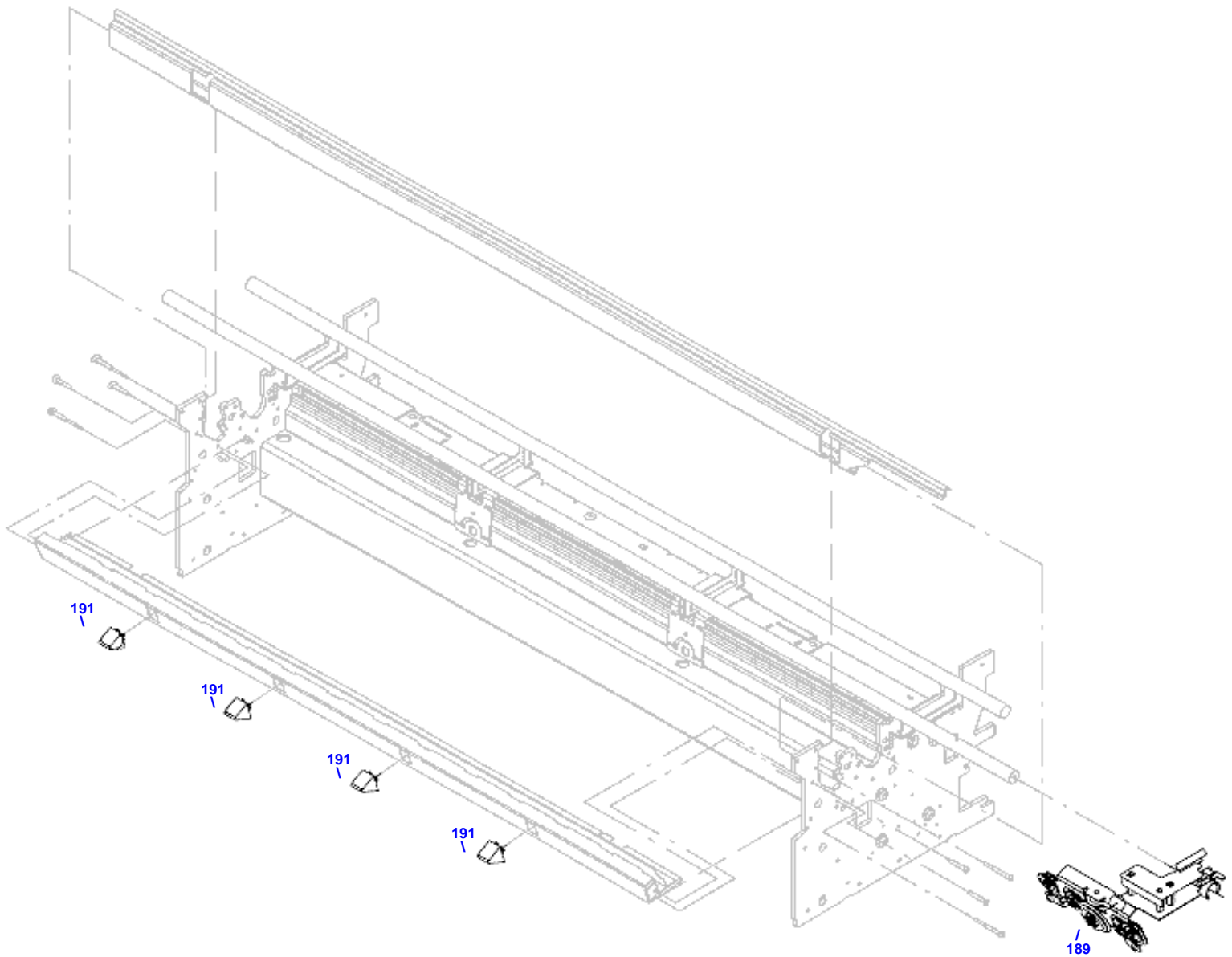
295 C3173-60003 Rollfeed spindle rod assembly (E-size) - Includes spindle and end caps - Special unit for use in China

296 C3173A E/A0 rollfeed spindle rod assembly for DesignJet 6xx/7xx - Includes spindle and end caps

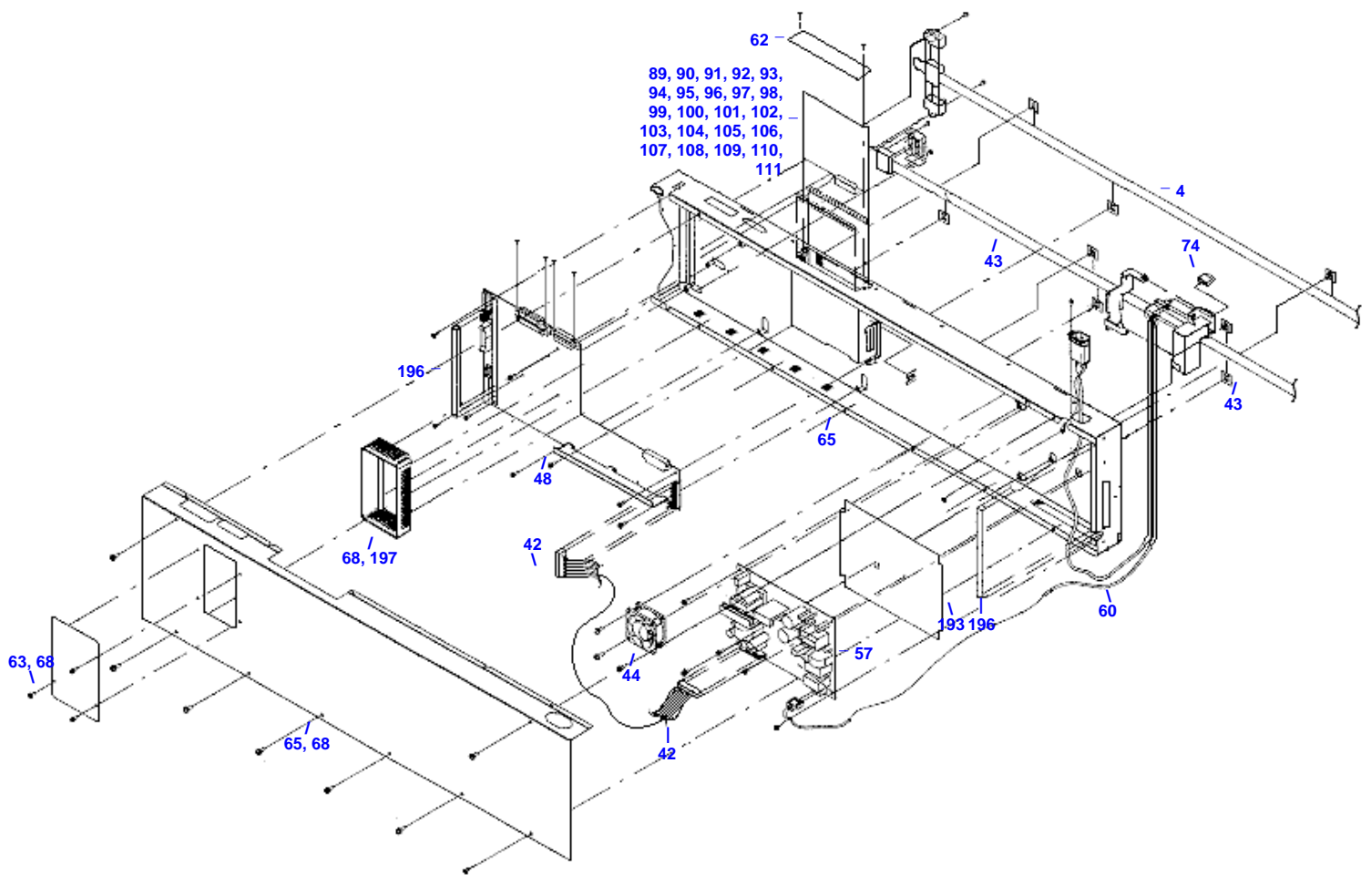
Bail and Overdrive



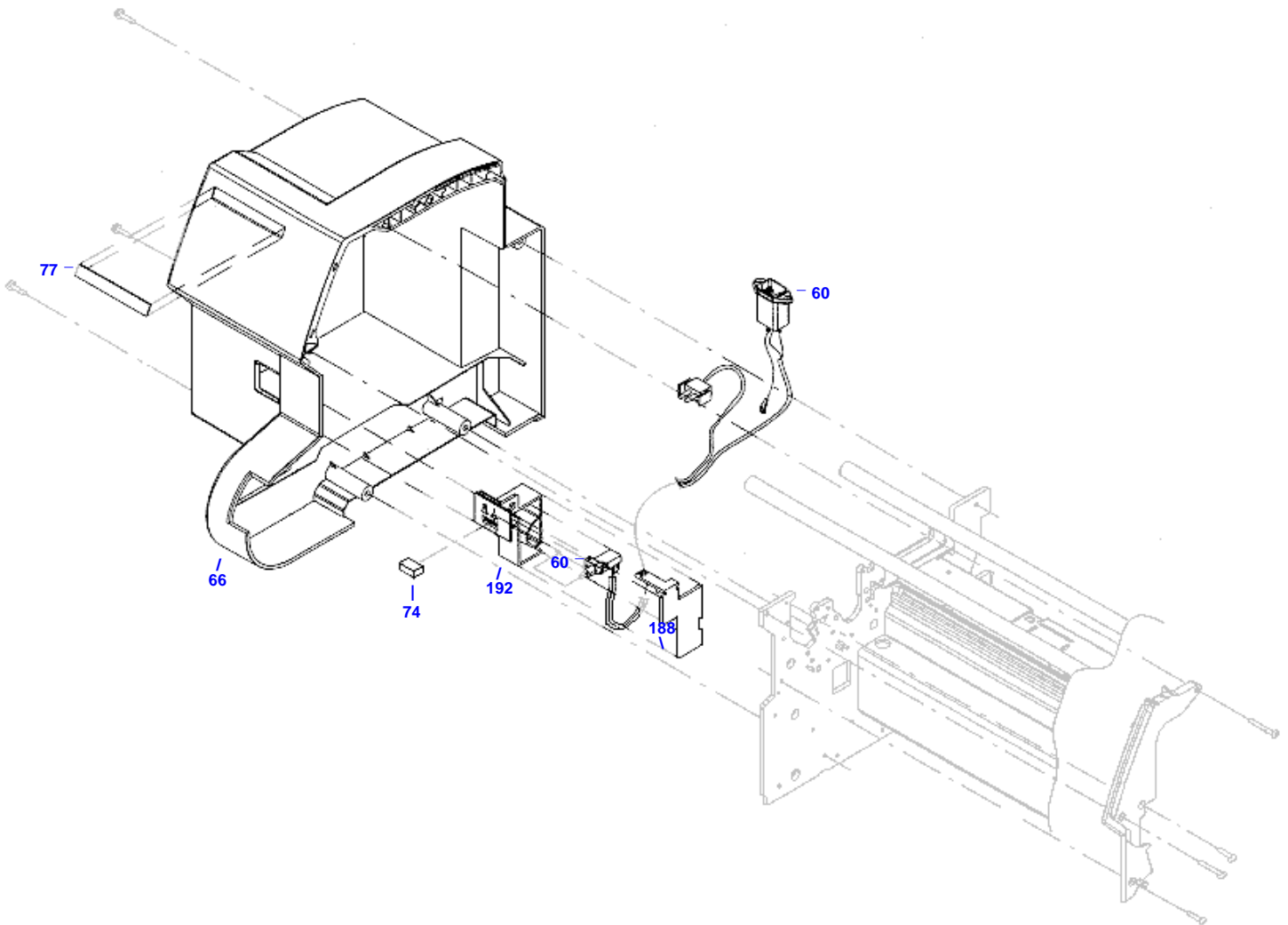
Cutter Assembly



Electronics Enclosure

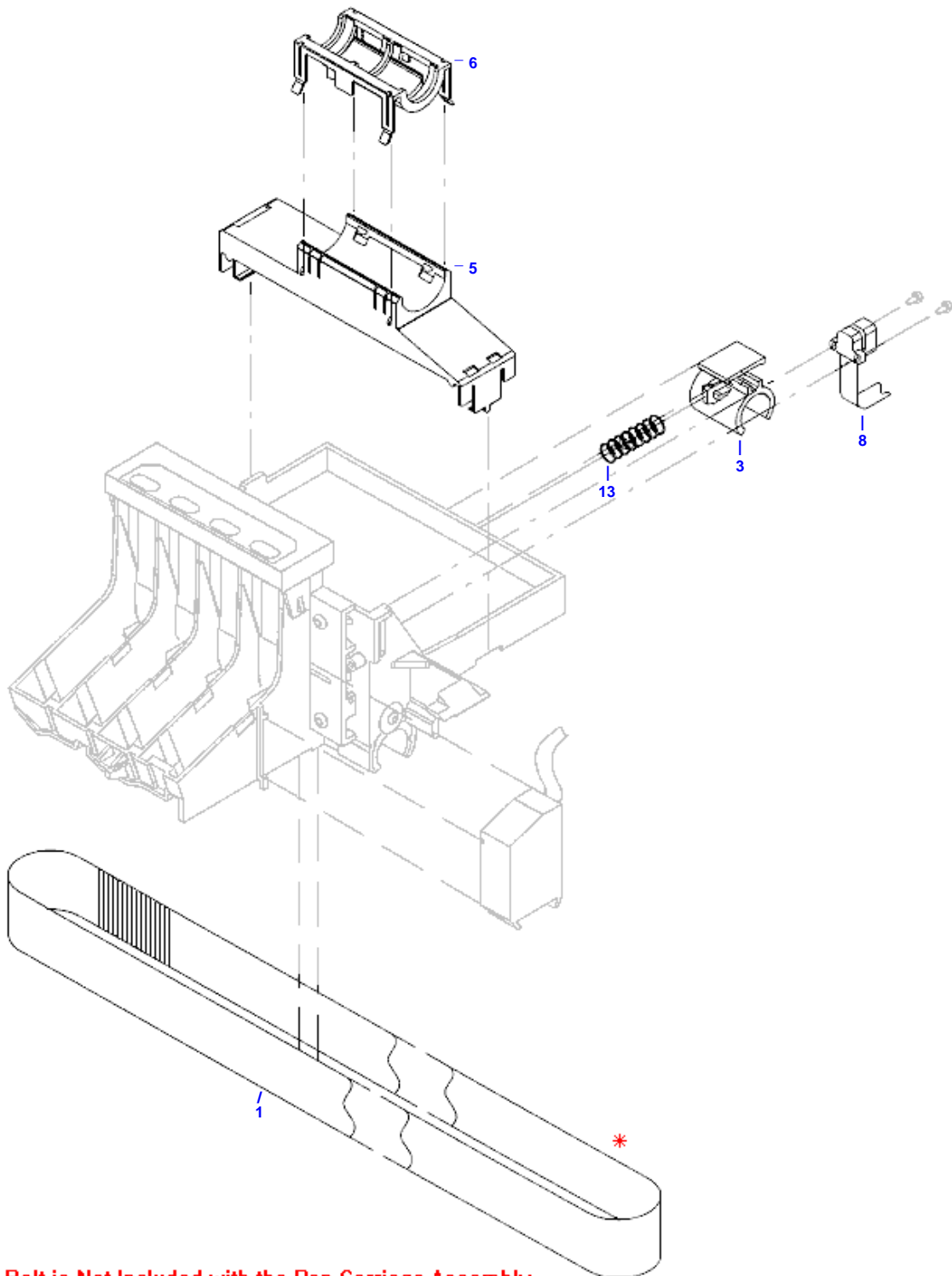


**Left Endcover**



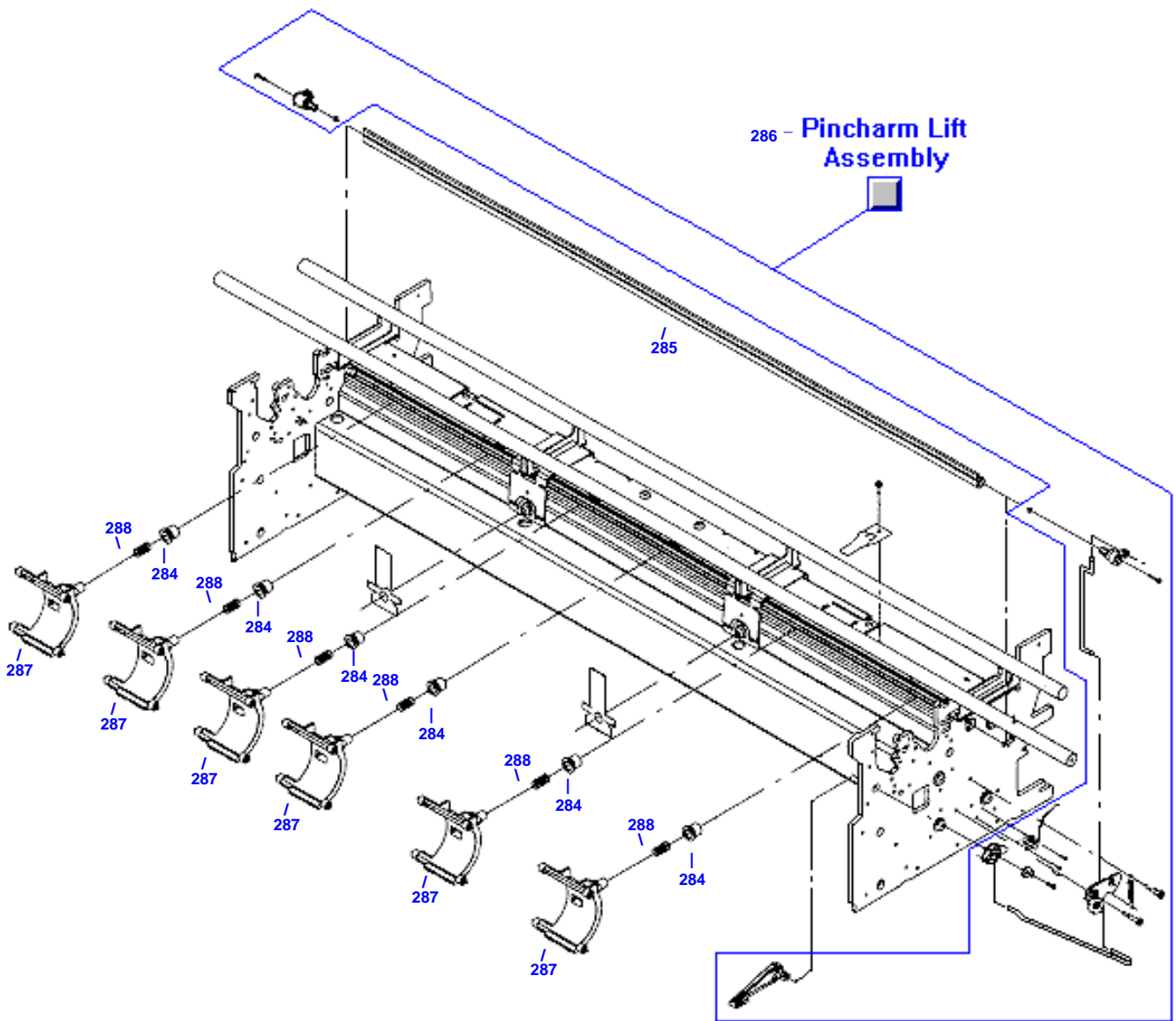
Pen Carriage Assembly

Pen Carriage Assembly - 7

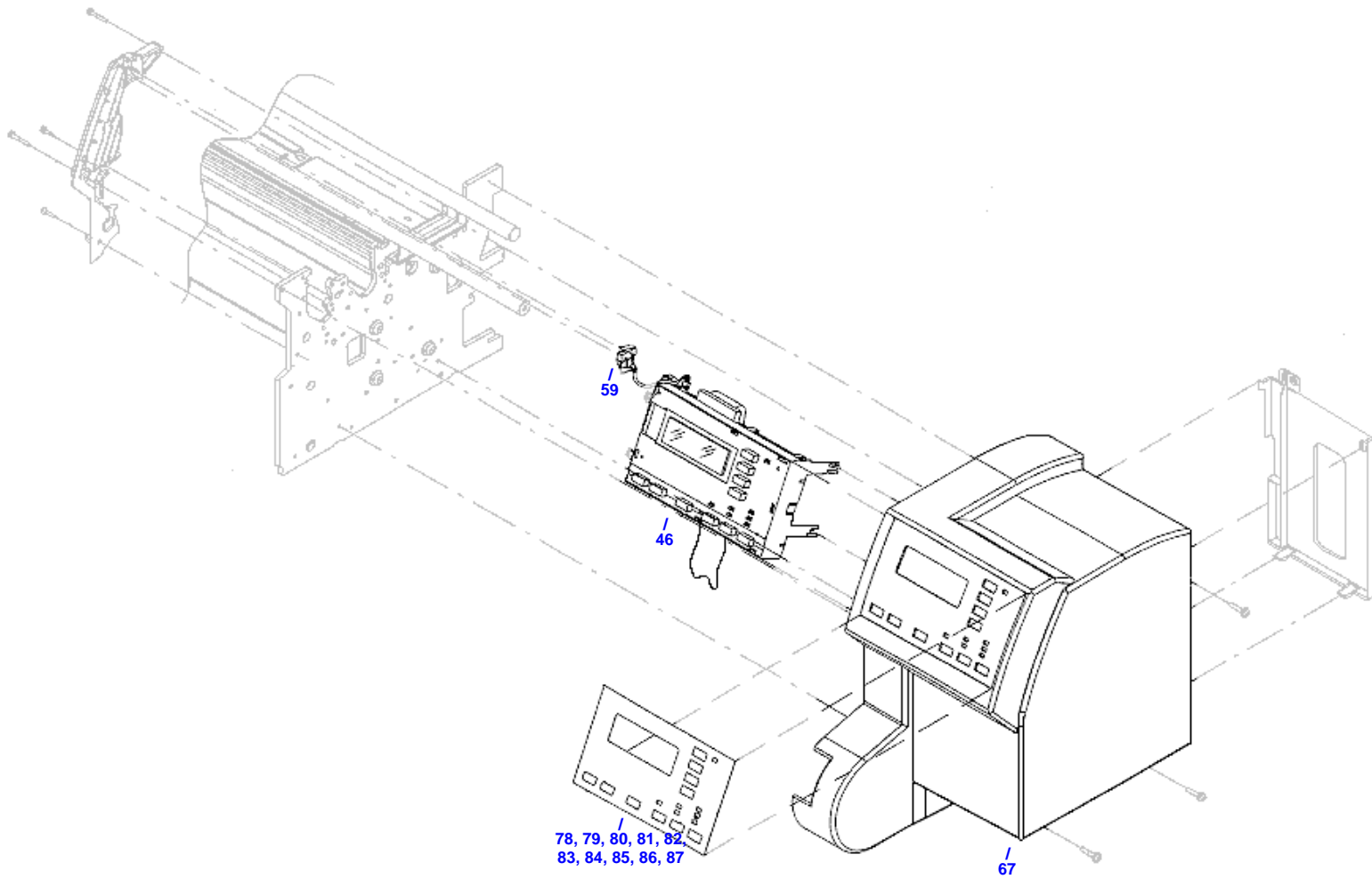


\* Note; Belt is Not Included with the Pen Carriage Assembly

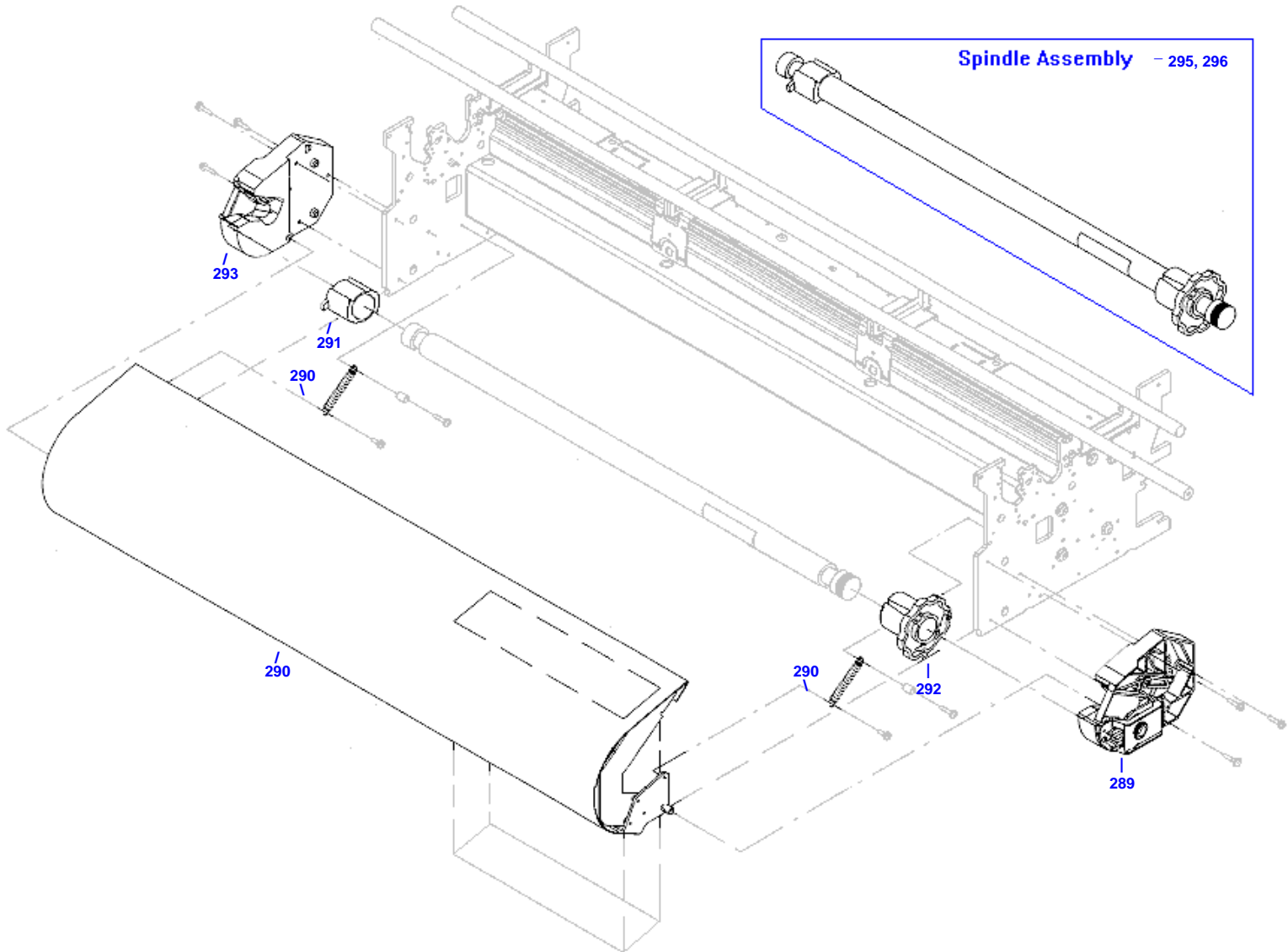
Pincharms



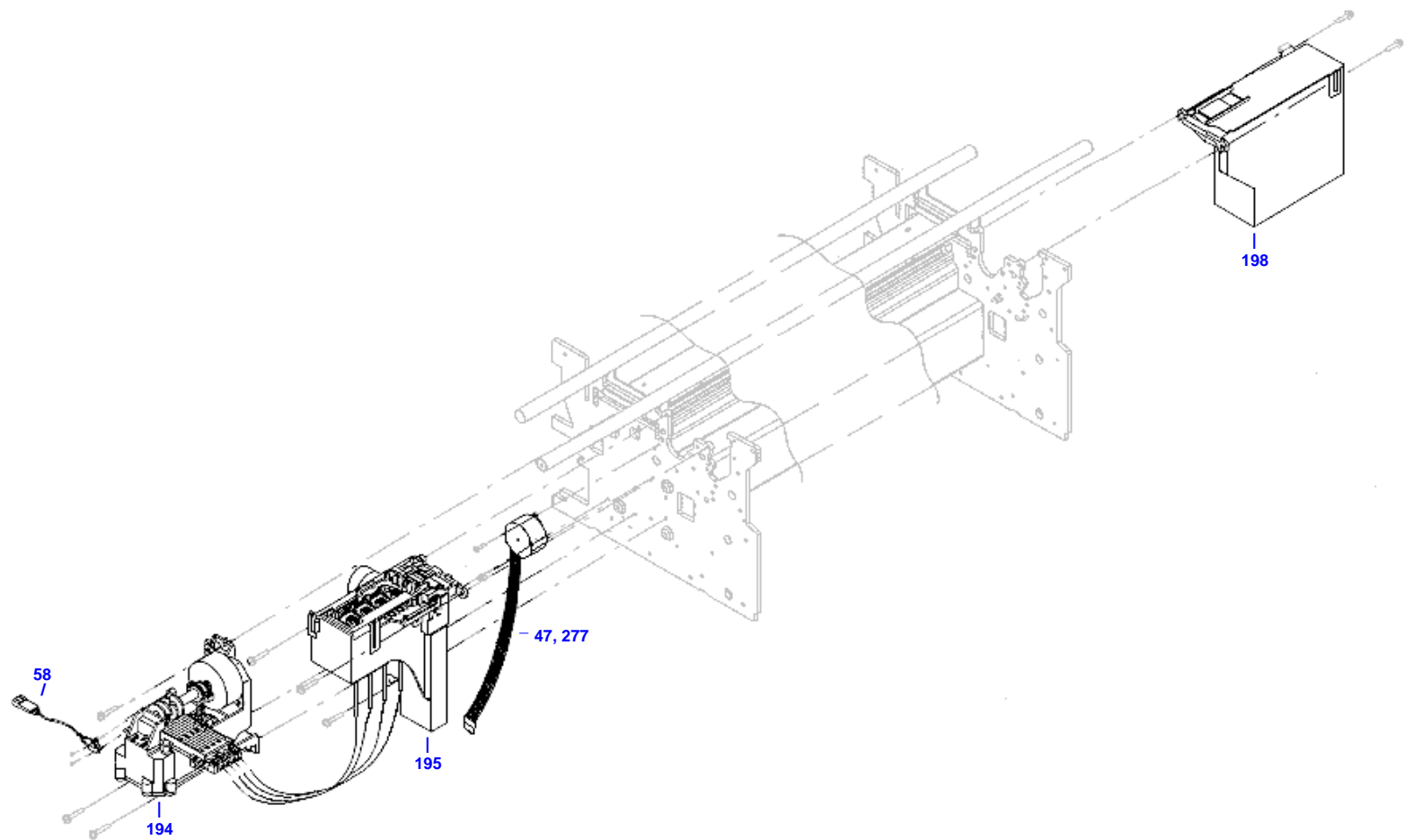
Right Endcover



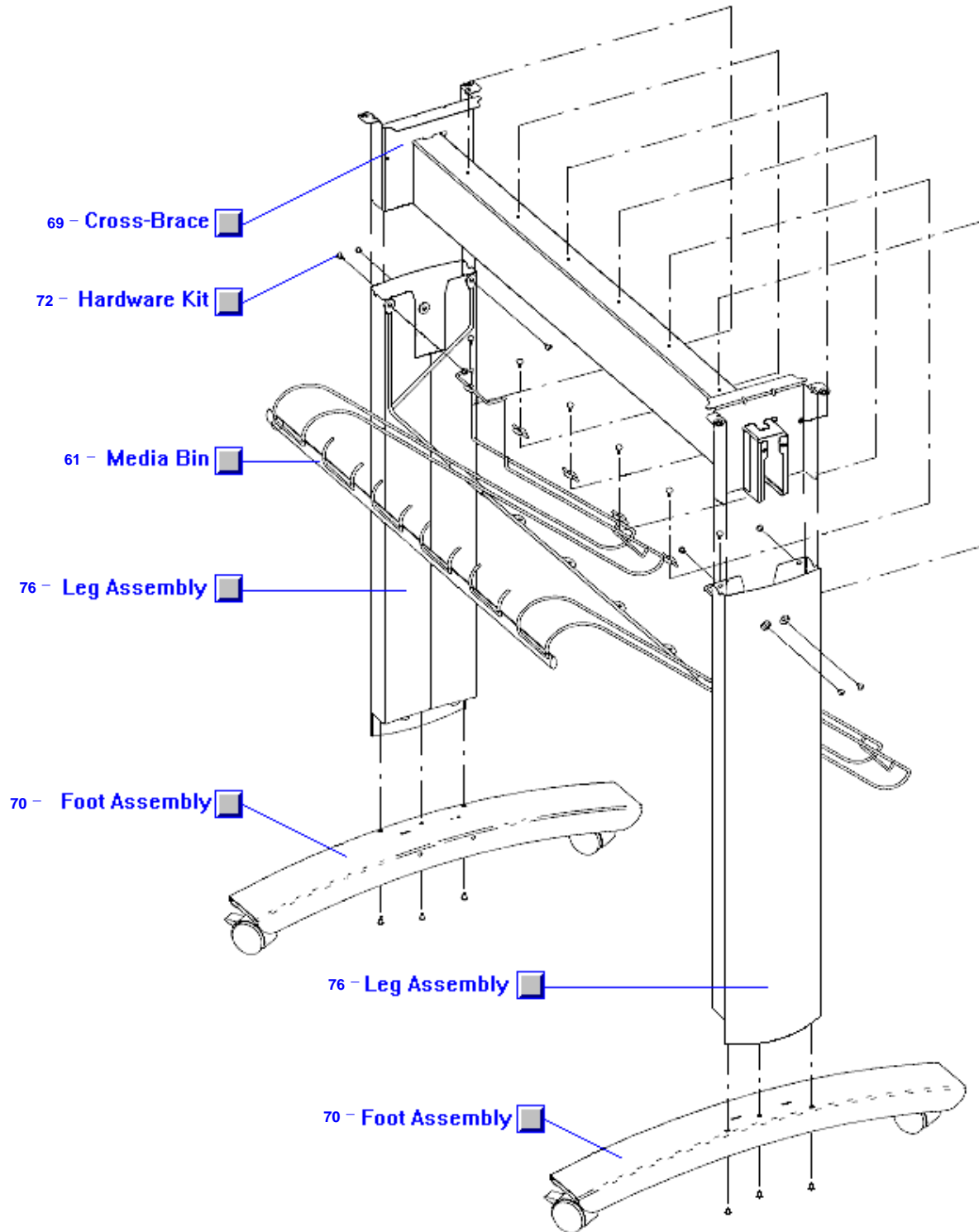
Rollfeed



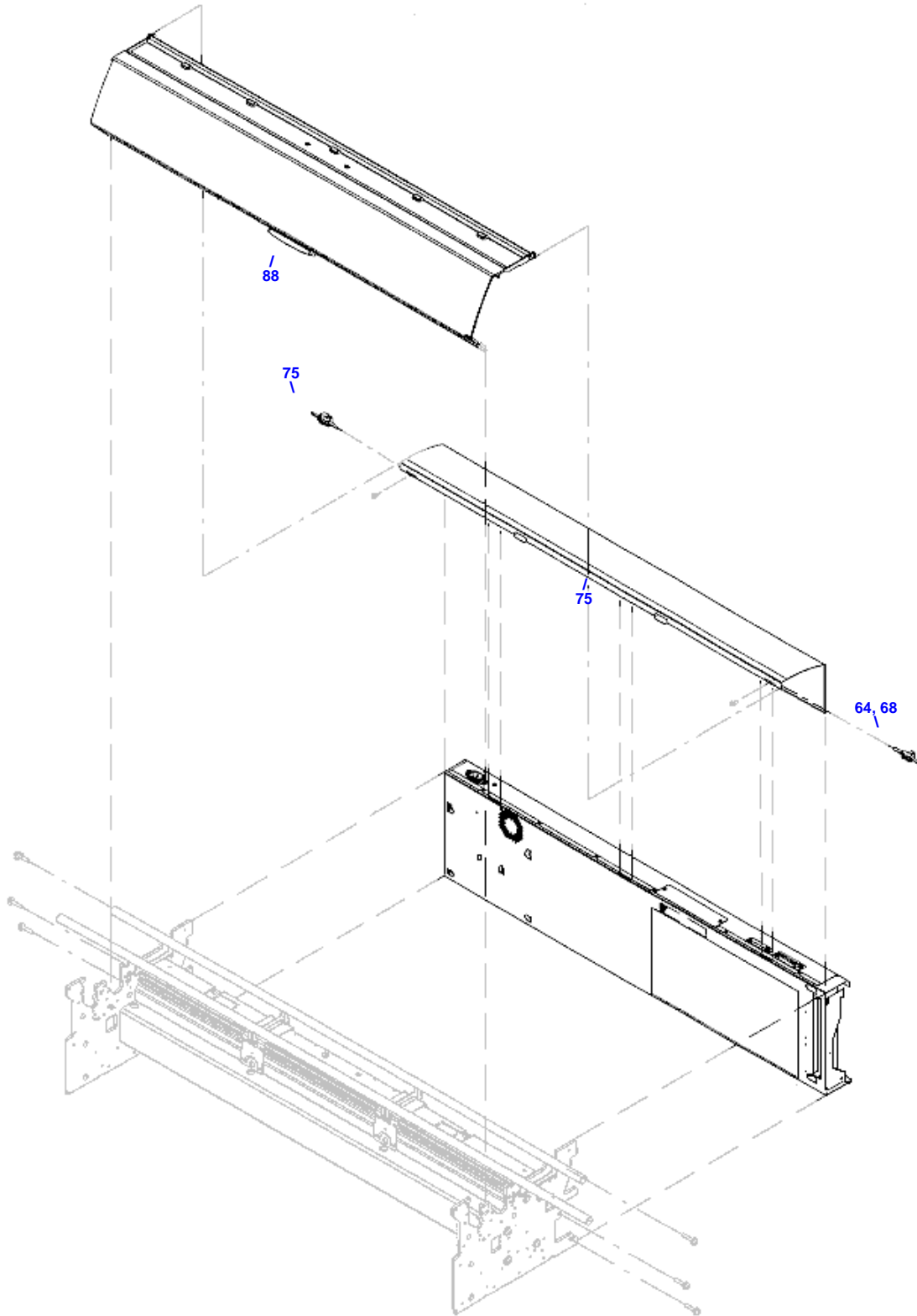
**Service Station and Primer**



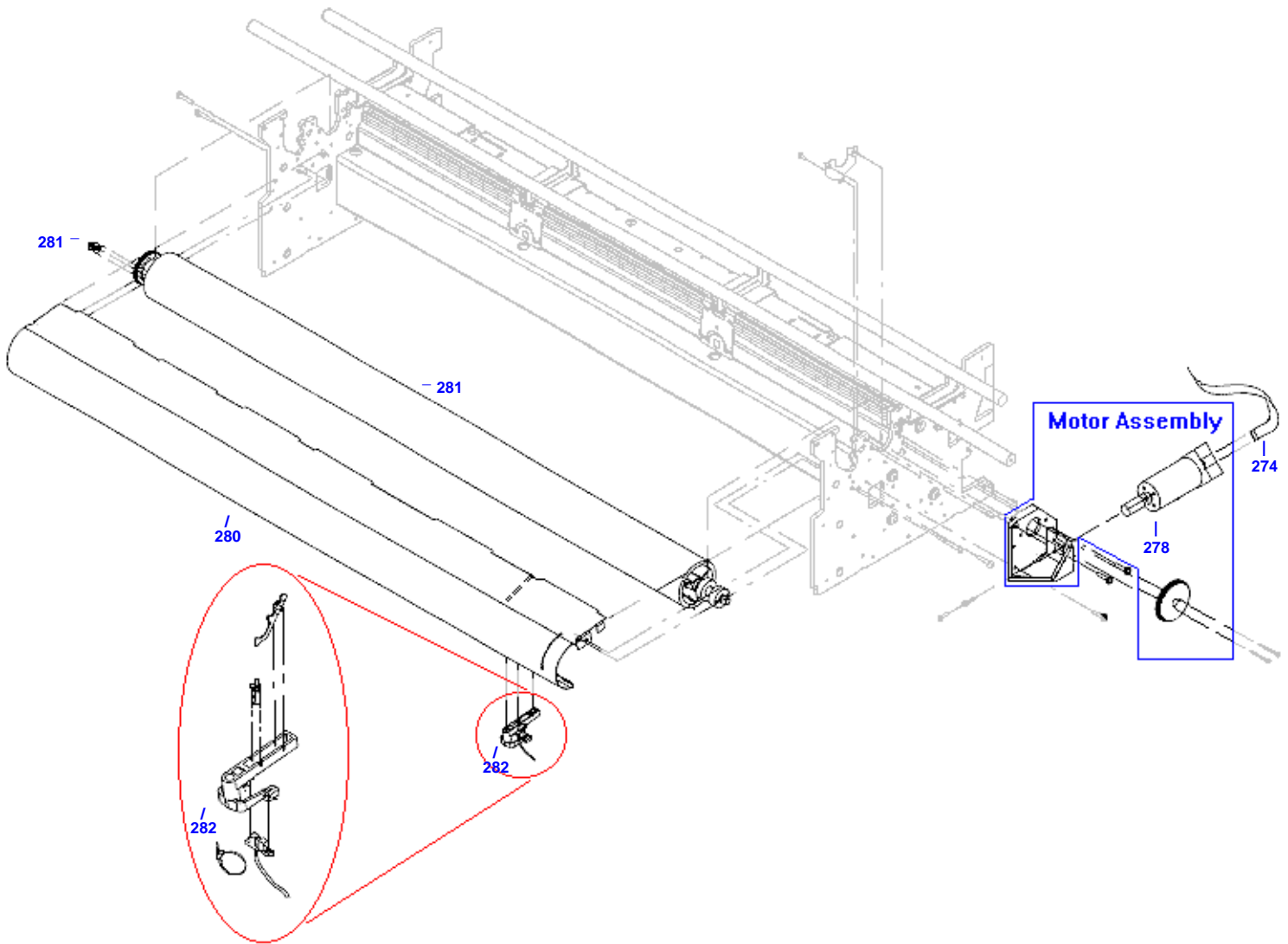
Stand



Window and Back Cover



X-Axis Drive







**HP Parts Reference Guide**

<http://www.hp.com/go/parts>

**HP PartSurfer**

<http://partsurfer.hp.com>

**HP Parts Ordering Information**

<http://www.hp.com/go/hpparts>

**HP Parts Questions/Comments**

<http://partsurfer.hp.com/contactus.htm>