



## Carriage Drive Parts

### Belt

- 1500-0855 'Y' axis drive belt
- 2 1500-0856 Carriage belt  
NO LONGER SUPPLIED

### Bracket

- 3 07575-40125 Drive-tensioner bracket - For pen carriage drive belt tensioning wedge
- 4 C1633-60029 Y-drive assembly bracket  
NO LONGER SUPPLIED
- 5 C2858-00007 Encoder spring bracket  
NO LONGER SUPPLIED

### Bushing

- 6 C1633-20034 Bushing for reduction pulley
- 7 C2858-40016 Carriage bushing - Supports front of carriage on slider rod  
NO LONGER SUPPLIED
- 8 C2858-40017 Rear slider rod bushing (Spring loaded) - Slides into the rear center of the carriage assembly

### Cable

- 9 C2858-60024 Carriage assembly trailing cable  
NO LONGER SUPPLIED

### Carriage

- 10 C2858-60023 Pen carriage assembly - Drafting 'Head' assembly (Holds the four ink cartridges)  
NO LONGER SUPPLIED

### Clamp

- 11 07575-40013 Left belt clamp - Attaches carriage belt to carriage  
NO LONGER SUPPLIED
- 12 07575-40014 Right belt clamp - Attaches carriage belt to carriage  
NO LONGER SUPPLIED

### Encoder

- 13 C2858-60010 Linear encoder IC - Detects carriage position as it moves along encoder strip  
NO LONGER SUPPLIED

### Motor

- 14 C2847-60221 Motor assembly - Includes power cable  
NO LONGER SUPPLIED

### Pulley

- 15 07570-60105 Idler pulley - For main drive belt
- 16 07570-60112 Idler drive pulley - Applies tension to the pen carriage drive belt (small belt)
- C3170-60009 Reduction pulley - Between the motor belt and carriage belt  
NO LONGER SUPPLIED

### Spring

- 18 1460-2061 Extension spring - Zinc plated music wire, 0.875in long, 0.187in OD, 0.020in wire diameter, 1.8 in/lb rate - For pen carriage drive belt pulley tensioning wedge  
NO LONGER SUPPLIED
- 19 C1633-80014 Compression spring - For the rear bushing on the carriage
- 20 C2858-00006 Encoder spring  
NO LONGER SUPPLIED

### Wedge

- 21 07550-40104 Tensioning wedge (cam tensioner) - For the pen carriage drive belt pulley  
NO LONGER SUPPLIED



## Electronic Accessories

### Cable (Interface)

17255D	RS-232C serial cable - 25 pin (M) to 25 pin (F) - 1.2m (3.9ft) long NO LONGER SUPPLIED
17302A	RS-232C serial cable - 25 pin (M) to 8 pin (M) DIN - 1.5m (4.9ft) long NO LONGER SUPPLIED
24540-80010	Centronics (parallel) cable - 36 pin (M) to 25 pin (M) - 2.0m (6.6ft) long
24542G	RS-232C serial cable - 25 pin (M) to 9 pin (F) - 3.0m (9.8ft) long - Used to connect to HP Vectra and IBM PC/AT compatibles
5063-1256	IEEE-1284 Bi-Tronics parallel cable - DB-25 (M) connector (type A) to 36 pin Centronics (M) connector (type B) - 2.0m (6.6ft) long
5063-1257	IEEE-1284 Bi-Tronics parallel cable - DB-25 (M) connector (type A) to 36 pin Centronics (M) connector (type B) - 3.0m (9.8ft) long
C2913A	RS-232C serial cable - 25 pin (M) to 25 pin (F) - 1.2m (3.9ft) long NO LONGER SUPPLIED
C2950A	IEEE-1284 Bi-Tronics parallel cable - DB-25 (M) connector (type A) to 36 pin Centronics (M) connector (type B) - 2.0m (6.6ft) long
5063-1256	<i>New Part for C2950A</i>
C2951A	IEEE-1284 Bi-Tronics parallel cable - DB-25 (M) connector (type A) to 36 pin Centronics (M) connector (type B) - 3.0m (9.8ft) long
C2990A	IEEE-1284 Bi-Tronics parallel cable - DB-25 (M) (type A) to 36 pin (M) Centronics (type B) - 1.8m (6ft) long NO LONGER SUPPLIED
C2991A	IEEE-1284 Bi-Tronics parallel cable - DB-25 (M) (type A) to 36 pin (M) Centronics (type B) - 3.0m (10ft) long NO LONGER SUPPLIED

### Memory (Product)

C2065A	4MB, 80nS, 36-bit SIMM memory module - For HP LaserJet IIISi, 4/4M, 4Si/MX NO LONGER SUPPLIED
C2066A	8MB, 80nS, 36-bit SIMM memory module - For HP LaserJet IIISi, 4/4M, 4Si/MX

### Memory (SIMM)

35	D2152-69001	8MB, 80nS, 36-bit SIMM memory module REQUIRES RETURN OF DEFECTIVE PART
	D2152-63001	<i>New Part for D2152-69001</i>
36	D2156-69001	4MB, 80nS, 36-bit SIMM memory module REQUIRES RETURN OF DEFECTIVE PART
	D2156-63001	<i>New Part for D2156-69001</i>
	D3578-69001	32MB, 70nS, 36-bit parity SIMM memory module REQUIRES RETURN OF DEFECTIVE PART
	D3578-63001	<i>New Part for D3578-69001</i>

### PostScript

C2882-60001	Adobe's PostScript (Level 2) SIMM module NO LONGER SUPPLIED
-------------	--

## Electronics/Power Supply

### Bracket

39	C1633-40064	Media sensor mounting bracket
----	-------------	-------------------------------

### Cable

40	C1633-60014	Cable assembly with ferrite - 18 pin (F) connector to four cables - Other connectors are two 4 pin (F), one 4 pin (M), and one 6 pin (F) - Overall length is 93cm (37.8 inches) NO LONGER SUPPLIED
41	C2858-60011	Cable harness assembly which connects the main logic board to the primer assembly, the primer sensor, the drop sensor, and the bail sensor cable NO LONGER SUPPLIED



## Electronics/Power Supply

### Control Panel

- 42 C2847-60087 Control panel assembly - Includes ribbon cable  
NO LONGER SUPPLIED

### Ferrite Assembly

- 43 9170-1535 Split ferrite - Installed inside electronics enclosure  
NO LONGER SUPPLIED

### Firmware

- 44 C2858-60162 ROM SIMM (Version 5.2) - Plugs into main logic board  
NO LONGER SUPPLIED

### IC ROM

- 45 1818-5637 EEPROM (U42) - On main logic board  
NO LONGER SUPPLIED

### Insulator

- 46 C1633-00080 Power supply insulator (Bottom)  
NO LONGER SUPPLIED
- 47 C2847-00019 Power supply insulator (Top) - Installed over the power supply  
NO LONGER SUPPLIED

### PC Board

- 48 0950-2417 Power supply board  
NO LONGER SUPPLIED
- 49 C2858-60105M Interconnect board
- 50 C2858-69207 Main logic board  
NO LONGER SUPPLIED

### Power Cord

- 8120-0698 Power cord (Black) - 18 AWG, 2.3m (7.5ft) long - Has straight (F) receptacle (For 220V/240V in the USA and Canada)
- 8120-1351 Power cord (Mint Gray) - 17 AWG, 2.3m (7.5ft) long - Has straight (F) receptacle (For 240V in the UK, Hong Kong, Singapore, Malaysia, and Brunei)
- 8120-1369 Power cord (Mint Gray) - 17 AWG, 2.0m (6.6ft) long - Has straight (F) receptacle (For 240V in Australia, New Zealand, and China)
- 8120-1378 Power cord (Jade Gray) - 18 AWG, 2.3m (7.5ft) long - Has straight (F) receptacle (For 120V in USA, Canada, Latin America, Korea, Taiwan, Thailand, Spain, Brazil, and Vietnam)
- 8120-1689 Power cord (Mint Gray) - 17 AWG, 2.0m (6.6ft) long - Has straight (F) receptacle (For 220V in Europe, Bangladesh, Indonesia, Pakistan, Burma, Sri Lanka, and Vietnam)
- 8120-2104 Power cord (Mint Gray) - 2.0m (6.6ft) long - Has straight (F) receptacle (For 220V in Switzerland)
- 8120-2956 Power cord (Mint Gray) - 2.0m (6.6ft) long - Has straight (F) receptacle (For 220V in Denmark)
- 8120-4211 Power cord (Mint Gray) - 17 AWG, 2.0m (6.6ft) long - Has straight (F) receptacle (For 240V in South Africa and India)

### Receptacle

- 59 C1633-60020 AC power receptacle assembly - Includes receptacle, wires, grounding lug, and socket to power supply  
NO LONGER SUPPLIED

### Sensor

- 60 C2858-60007 Optical primer sensor - Used to determine initial position of the primer assembly cam

### Switch

- 61 C2847-60044 Power switch assembly - Includes cable  
NO LONGER SUPPLIED

## External Case Parts

### Bin

- 62 C1633-00019 Media bin back - For top of wire rack below plotter  
NO LONGER SUPPLIED
- 63 C1633-00020 Media bin front - Main part of wire rack below plotter  
NO LONGER SUPPLIED



## External Case Parts

### Bin

64 C1633-00044 Media bin adjust - Adjustable media bottom stop in wire rack  
NO LONGER SUPPLIED

### Caster

65 1492-0145 Lockable caster assembly - Includes stem and washer  
NO LONGER SUPPLIED

### Cover

66 C1633-00031 MIO slot access cover  
67 C2848-00002 Electronic enclosure cover  
NO LONGER SUPPLIED  
68 C2858-40044 Right end cover - For end of upper stand (Chassis) assembly  
NO LONGER SUPPLIED  
69 C2858-60215 Left end cover assembly - For end of upper stand (Chassis)  
NO LONGER SUPPLIED

### Cross-Brace

C3186-00034 Cross-brace - Main structure that extends between stand legs

### Enclosure

71 C2848-60001 Enclosure - Metal structure that forms the base of the electronics enclosure assembly  
NO LONGER SUPPLIED

### Hardware Kit

C2847-60061 Hardware kit - Package of 6 screws for stand assembly  
NO LONGER SUPPLIED

### Hinge

73 07575-40012 Male half of hinge (on window) - For lift-up window  
NO LONGER SUPPLIED  
74 07575-40111 Female half of hinge (on chassis) - For lift-up window  
NO LONGER SUPPLIED

### Holder

75 C1633-40094 Holder - For 'Help' card and hand held cutter  
NO LONGER SUPPLIED

### Keycap

76 5041-1203 Power switch keycap (White)

### Leg

77 C2848-60002 Leg assembly - Side support with foot bar and 2 casters  
NO LONGER SUPPLIED

### Nameplate/Logo

78 C2858-00017 Nameplate - DesignJet 650C printer  
NO LONGER SUPPLIED

### Overlay

79 C2858-60026 Control panel overlay (English)  
NO LONGER SUPPLIED  
80 C2858-60027 Control panel overlay (German)  
NO LONGER SUPPLIED  
C2858-60026 *New Part for C2858-60027*  
81 C2858-60028 Control panel overlay (Spanish)  
NO LONGER SUPPLIED  
82 C2858-60029 Control panel overlay (French)  
NO LONGER SUPPLIED  
83 C2858-60030 Control panel overlay (Japanese)  
NO LONGER SUPPLIED



### External Case Parts

#### Overlay

- 84 C2858-60031 Control panel overlay (Italian)  
NO LONGER SUPPLIED
- 85 C2858-60033 Control panel overlay (Portuguese)  
NO LONGER SUPPLIED

#### Plate

- 86 C2847-00027 SIMM Plate - Covers access to SIMM slot connectors  
NO LONGER SUPPLIED

#### Window

- 87 C1633-40075 Lift-up viewing window - Clear  
NO LONGER SUPPLIED

### Optional Interfaces

#### Interface (Module)

- J4101-61011 External JetDirect 300X print server module (10Base-T and 100Base-T) - Connects between printer parallel port and LAN network - Does NOT include power module - (J4101A, J4101B)

#### Interface (Product)

- J2550B EtherTwist (10Base-T) LAN interface board  
NO LONGER SUPPLIED
- J2552B LAN & LocalTalk interface - Has EtherTwist (10Base-T), ThinLAN (10Base-2), and LocalTalk (DIN-8) connectors  
NO LONGER SUPPLIED
- J2555B Token ring LAN interface board - DB-9 and RJ-45 connectors  
NO LONGER SUPPLIED
- J2590A External JetDirect LAN interface module with RJ-45 connector for EtherTwist (10Base-T) or 100VG/802.12 input and 3 parallel (DB-25) output connectors  
NO LONGER SUPPLIED
- J2591A External JetDirect LAN interface module and power module - Has EtherTwist (10Base-T) and ThinLAN (10Base-2) connectors  
NO LONGER SUPPLIED
- J3258B External JetDirect 170X LAN interface module - Interfaces a parallel printer to an ethernet 10Base-T (RJ-45) LAN
- J3264A External JetDirect 500X token ring interface module - Interfaces up to 3 parallel printers to a token ring (DB-9 or RJ-45) LAN
- J3265A External JetDirect 500X LAN interface module - Interfaces up to 3 parallel printers to an ethernet 10Base-T (RJ-45), 10Base2 (BNC), or 100Base-TX (RJ-45) LAN

#### Module

- J2382-69003 External JetDirect LAN interface module with ethertwist (10Base-T) and ThinLAN (10BASE-2) connectors
- J2383-61005 External token ring interface module - Has DB-9 connector
- J2590-69001 External JetDirect LAN interface module with RJ-45 connector for ethertwist (10Base-T) or 100VG/802.12 input and 3 parallel (DB-25) output connectors  
REQUIRES RETURN OF DEFECTIVE PART
- J2590-61011 *New Part for J2590-69001*
- J2591-69001 External JetDirect LAN interface module with ethertwist (10Base-T) and ThinLAN (10BASE-2) connectors
- J2592-69001 External JetDirect LAN interface module with ethertwist (10Base-T) connector  
REQUIRES RETURN OF DEFECTIVE PART
- J2592-61001 *New Part for J2592-69001*
- J2593-69001 External JetDirect LAN interface module with Ethertwist (10Base-T) and ThinLAN (10BASE-2) input connectors and 3 parallel (DB-25) output connectors - (part of J2593A)
- J2594-69001 External JetDirect token ring interface module with DB-9 and RJ-45 input connectors and 3 parallel (DB-25) output connectors - (part of J2594A)  
REQUIRES RETURN OF DEFECTIVE PART
- J2594-61011 *New Part for J2594-69001*
- J3258-61011 External JetDirect LAN interface module with EtherTwist (10Base-T) connector - (J3258A, J3258B)



## Optional Interfaces

### Module

- J4102-69011 External JetDirect LAN interface module with EtherTwist (10Base-T) connector - (J4102A, J4102B)  
REQUIRES RETURN OF DEFECTIVE PART
- J4102-61011 *New Part for J4102-69011*

### Module (Product)

- J4101B External JetDirect LAN interface module with EtherTwist (10Base-T/Base-TX) connector
- J4102B External JetDirect LAN interface module with EtherTwist (10Base-T) connector

### PC Board (Interface)

- J2371-69001 EtherTwist 10Base-T interface board  
NO LONGER SUPPLIED
- J2372-69001 LAN interface board with EtherTwist 10Base-T and ThinLAN 10Base-2 connectors
- J4100-69001 *New Part for J2372-69001*
- J2373-60001 Token ring interface board - Has DB-9 connector  
NO LONGER SUPPLIED
- J2550-69013 EtherTwist 10Base-T LAN interface board
- J2552-69013 LAN and LocalTalk interface - EtherTwist (10Base-T), ThinLAN (10Base-2), and LocalTalk (DIN-8) connectors
- J2555-69013 Token ring LAN interface board - DB-9 and RJ-45 connectors

### Power Cord

- 8120-1351 Power cord (Mint Gray) - 17 AWG, 2.3m (7.5ft) long - Has straight (F) receptacle (For 240V in the UK, Hong Kong, Singapore, Malaysia, and Brunei)
- 8120-1369 Power cord (Mint Gray) - 17 AWG, 2.0m (6.6ft) long - Has straight (F) receptacle (For 240V in Australia, New Zealand, and China)
- 8120-1378 Power cord (Jade Gray) - 18 AWG, 2.3m (7.5ft) long - Has straight (F) receptacle (For 120V in USA, Canada, Latin America, Korea, Taiwan, Thailand, Spain, Brazil, and Vietnam)
- 8120-1689 Power cord (Mint Gray) - 17 AWG, 2.0m (6.6ft) long - Has straight (F) receptacle (For 220V in Europe, Bangladesh, Indonesia, Pakistan, Burma, Sri Lanka, and Vietnam)
- 8120-2104 Power cord (Mint Gray) - 2.0m (6.6ft) long - Has straight (F) receptacle (For 220V in Switzerland)
- 8120-2956 Power cord (Mint Gray) - 2.0m (6.6ft) long - Has straight (F) receptacle (For 220V in Denmark)
- 8120-4753 Power cord (Flint Gray) - 18 AWG, 2.3m (7.5ft) long - Has straight (F) receptacle (For 100V in Japan)
- 8120-6302 'Daisy chain' power cord (Dove Gray) - 18 AWG, 1.2m (4.0ft) long - Has C14 (M) plug for power input and C13 (F) plug for power output

### Power Module

- 0950-2372 Power supply module - 100-240VAC input, 47-63Hz, requires separate AC power cord - 5VDC output, 1A, 5 watts - For J2382/83A/B
- 0950-3169 Wall mount power supply module - 110-127V AC 57-63Hz input - 13V DC output at 300mA (USA, Canada) - For use with the J2592A external JetDirect LAN interface module
- 0950-3170 Power supply module - 209-253VAC input, 47-53Hz - 13VDC output, 300mA (Europe, Israel) - For use with the J2592A external JetDirect LAN interface module
- 0950-3171 Power supply module - 220-240VAC input, 47-53Hz - 13VDC output, 300mA (U.K., Hong Kong) - For use with the J2592A external JetDirect LAN interface module
- 0950-3172 Power supply module - 240VAC input, 47-53Hz - 13VDC output, 300mA (Australia) - For use with the J2592A external JetDirect LAN interface module
- 0950-3348 Wall mount power supply module (MEI-AH ED12006) - 110-127VAC input, 57-63Hz - 13VDC output, 800mA, 10.4 watts (for use in the United States and Canada) - For models J2590/91/93/94A, J2964A, J3258A/B, J3263/64/65A, J3282B, J4101A/B, J4102A/B
- 0950-3349 Wall mount power supply module (MEI-AH ED12007) - 230VAC input, 47-53Hz - 13VDC output, 800mA, 10.4 watts (for use in Europe and Israel) - For JetDirect/infrared interface models J2590/91/93/94A, J2964A, J3258A/B, J3263/64/65A, J3282B, J4101A/B, J4102A/B
- 0950-3350 Wall mount power supply module (MEI-AH ED12008) - 220-240VAC input, 47-53Hz - 13VDC output, 800mA, 10.4 watts (for use in the United Kingdom) - For JetDirect/infrared interfaces J2590/91/93/94A, J2964A, J3258A/B, J3263/64/65A, J3282B, J4101A/B, J4102A/B



## Optional Interfaces

### Power Module

0950-3351	Wall mount power supply module (MEI-AH ED12009) - 220VAC input, 47-63Hz - 13VDC output, 800mA, 10.4 watts (for use in South Korea) - For JetDirect/infrared interface models J2590/91/93/94A, J2964A, J3258A/B, J3263/64/65A, J3282B, J4101A/B, J4102A/B
0950-3352	Wall mount power supply module (MEI-AH ED12010) - 100VAC input, 47-63Hz - 13VDC output, 800mA, 10.4 watts (for use in Japan) - For JetDirect/infrared interface models J2590/91/93/94A, J2964A, J3258A/B, J3263/64/65A, J3282B, J4101A/B, J4102A/B
0950-3354	Wall mount power supply module (MEI-AH ED12010) - 220-250VAC input, 47-53Hz - 13VDC output, 800mA, 10.4 watts (for use in South Africa) - For JetDirect/infrared interface models J2590/91/93/94A, J2964A, J3258A/B, J3263/64/65A, J3282B, J4101A/B, J4102A/B
9100-5176	Wall mount power supply module (Leader Electronics 48130625HK) - 200VAC input, 48-52Hz - 13VDC output, 625mA (Hong Kong) - For JetDirect Modules and Infrared Interface Models J2590/91/93/94A, J2964A, J3258A/B, J3263/64/65A, J3282B, J4101A/B, J4102A/B
0950-3350	<i>New Part for 9100-5176</i>

## Other Accessories

### CD-ROM (Support)

C7769-90066	DesignJet support CD ROM - Version A.04.01 - Has product information, user's manuals, service manuals, diagnostic software, test drawings, newsletters, and service notes
-------------	---

### Cartridge

51640A	Black print cartridge (w/ level indicator) - Prints approx.1120 pages based on 5% density on a 8 inch by 10 inch print area (for USA)
51640AA	Black print cartridge (with level indicator) - Prints approx.1120 pages based on 5% density on a 8 inch by 10 inch print area (for Asia/Pacific)
51640AE	Black print cartridge (with level indicator) - Prints approx.1120 pages based on 5% density on a 8 inch by 10 inch print area (for Europe)
51640AL	Black print cartridge (with level indicator) - Prints approx.1120 pages based on 5% density on a 8 inch by 10 inch print area (for Latin America)
51650C	Cyan (Blue) ink cartridge (with level indicator) - For USA
51650CA	Cyan (Blue) ink cartridge (with level indicator) - For Asia/Pacific
51650CE	Cyan (Blue) ink cartridge (with level indicator) - For Europe
51650CL	Cyan (Blue) ink cartridge (with level indicator) - For Latin America
51650M	Magenta (Red) ink cartridge (with level indicator) - For USA
51650MA	Magenta (Red) ink cartridge (with level indicator) - For Asia/Pacific
51650ME	Magenta (Red) ink cartridge (with level indicator) - For Europe
51650ML	Magenta (Red) ink cartridge (with level indicator) - For Latin America
51650Y	Yellow ink cartridge (with level indicator) - For USA
51650YA	Yellow ink cartridge (with level indicator) - For Asia/Pacific
51650YE	Yellow ink cartridge (with level indicator) - For Europe
51650YL	Yellow ink cartridge (with level indicator) - For Latin America

### Cleaning Supplies

C6247A	DesignJet cleaning kit - Includes cleaning solution and 20 cleaning rags
--------	--

### Envelope

5960-8286	Final exam return envelopes - Contains 10 envelopes
-----------	---

### Kit

5182-7317	Maintenance kit - Carriage assembly, left bail bracket, reduction pulley, service station kit, 'Y' belt, and a small end cap for the paper spindle (for sale in Korea/Asia Pacific ONLY) NO LONGER SUPPLIED
-----------	--



## Other Accessories

### Label

C3195-00057 Safety label - Provides warning that encoder strip is sharp

### Lubricant

6040-0854 Synthetic Oil (1/2oz Plastic Bottle - for lubricating the front and rear slider rods

6040-0855 Synthetic oil - 4oz (113g) plastic bottle

C3190-60155 Grease - For helical gear (Drive roller gear)

### Manual

07595-90001 HP-GL reference guide - Programming information  
NO LONGER SUPPLIED

5959-9733 HP-GL/2 & HP RTL reference guide - Programming information, handbook for developers

5960-3743 HP RTL reference guide - Programming information

C2858-90000 DesignJet 650C service manual (English)  
NO LONGER SUPPLIED

### Manual Kit

C2858-90169 DesignJet 650C manual kit - Includes 'Using Front Panel', 'Setting Up for Plotting', and 'Quick Reference' guides (English)  
NO LONGER SUPPLIED

C2858-90170 DesignJet 650C manual kit - Includes 'Using Front Panel', 'Setting Up for Plotting', and 'Quick Reference' guides (Chinese)  
NO LONGER SUPPLIED

C2858-90171 DesignJet 650C manual kit - Includes 'Using Front Panel', 'Setting Up for Plotting', and 'Quick Reference' guides (Thai)  
NO LONGER SUPPLIED

C2858-90172 DesignJet 650C manual kit - Includes 'Using Front Panel', 'Setting Up for Plotting', and 'Quick Reference' guides (German)  
NO LONGER SUPPLIED

C2858-90173 DesignJet 650C manual kit - Includes 'Using Front Panel', 'Setting Up for Plotting', and 'Quick Reference' guides (French)  
NO LONGER SUPPLIED

C2858-90174 DesignJet 650C manual kit - Includes 'Using Front Panel', 'Setting Up for Plotting', and 'Quick Reference' guides (Spanish)  
NO LONGER SUPPLIED

C2858-90175 DesignJet 650C manual kit - Includes 'Using Front Panel', 'Setting Up for Plotting', and 'Quick Reference' guides (Italian)  
NO LONGER SUPPLIED

C2858-90176 DesignJet 650C manual kit - Includes 'Using Front Panel', 'Setting Up for Plotting', and 'Quick Reference' guides (Japanese)  
NO LONGER SUPPLIED

C2858-90177 DesignJet 650C manual kit - Includes 'Using Front Panel', 'Setting Up for Plotting', and 'Quick Reference' guides (Portuguese)  
NO LONGER SUPPLIED

C2858-90178 DesignJet 650C manual kit - Includes 'Using Front Panel', 'Setting Up for Plotting', and 'Quick Reference' guides (Korean)  
NO LONGER SUPPLIED

### Packaging

C3196-60113 Repackaging kit - For main plotter unit  
NO LONGER SUPPLIED

### Return Kit

5183-5268 Return kit with box and instructions - For returning defective Thermal InkJet (TIJ) 2.5 InkJet cartridges covered under the CREW program - For USA

5184-2833 Return kit with box and instructions - For returning defective Thermal InkJet (TIJ) 2.5 InkJet cartridges covered under the CREW program - For use outside of the USA



## Other Accessories

### Software

C6072-60281	Toolbox and driver software - HP-GL/2 and RTL drivers for Windows 3.1/95/98/NT 4.0 (all DesignJets), and toolbox software for Windows 95/NT 4.0 (Only for DesignJet 430/450C/455CA/1050C/1055CM) - On 3.5-inch 1.44MB floppy disks (English)
C6072-60284	Toolbox and driver software - HP-GL/2 and RTL drivers for Windows 3.1/95/98/NT 4.0 (all DesignJets), and toolbox software for Windows 95/NT 4.0 (Only for DesignJet 430/450C/455CA/1050C/1055CM) - On 3.5-inch 1.44MB floppy disks (German)
C6072-60285	Toolbox and driver software - HP-GL/2 and RTL drivers for Windows 3.1/95/98/NT 4.0 (all DesignJets), and toolbox software for Windows 95/NT 4.0 (Only for DesignJet 430/450C/455CA/1050C/1055CM) - On 3.5-inch 1.44MB floppy disks (French)
C6072-60286	Toolbox and driver software - HP-GL/2 and RTL drivers for Windows 3.1/95/98/NT 4.0 (all DesignJets), and toolbox software for Windows 95/NT 4.0 (Only for DesignJet 430/450C/455CA/1050C/1055CM) - On 3.5-inch 1.44MB floppy disks (Spanish)
C6072-60287	Toolbox and driver software - HP-GL/2 and RTL drivers for Windows 3.1/95/98/NT 4.0 (all DesignJets), and toolbox software for Windows 95/NT 4.0 (Only for DesignJet 430/450C/455CA/1050C/1055CM) - On 3.5-inch 1.44MB floppy disks (Italian)
C6072-60301	HP-GL/2 driver software for AutoCAD - For DOS and Windows 3.1/95/NT 4.0 - On 3.5-inch 1.44MB floppy disks (English)
C6072-60304	HP-GL/2 driver software for AutoCAD - For DOS and Windows 3.1/95/NT 4.0 - On 3.5-inch 1.44MB floppy disks (German)
C6072-60305	HP-GL/2 driver software for AutoCAD - For DOS and Windows 3.1/95/NT 4.0 - On 3.5-inch 1.44MB floppy disks (French)
C6072-60306	HP-GL/2 driver software for AutoCAD - For DOS and Windows 3.1/95/NT 4.0 - On 3.5-inch 1.44MB floppy disks (Spanish)
C6072-60307	HP-GL/2 driver software for AutoCAD - For DOS and Windows 3.1/95/NT 4.0 - On 3.5-inch 1.44MB floppy disks (Italian)

### Training Kit

C2858A+49A-61	Self paced training kit for DesignJet 650C plotters - Includes service manual, NTSC format video (VHS), and ten tests NO LONGER SUPPLIED
C2858A+49A-62	Self paced training kit for DesignJet 650C plotters - Includes service manual, PAL format video (VHS), and ten tests NO LONGER SUPPLIED

## Other Internal Parts

### Bracket

187	C2847-00051	Y-tensioner bracket on left side plate NO LONGER SUPPLIED
-----	-------------	--

### Bushing

188	C3195-40076	Cutter bushing - Connects cutter assembly to slider rod
-----	-------------	---

### Cap

C3190-40076	Cartridge cap - Keeps cartridges from drying out when carriage is parked in service station NO LONGER SUPPLIED
-------------	---

### Clamp

190	1400-1021	Cable clamp
191	9170-1533	Clamp - Holds ferrite in place within electronics enclosure NO LONGER SUPPLIED

### Cutter

192	C2858-60021	Cutter mechanism assembly - Auto cutter for rollfeed paper
-----	-------------	--

### Fan

193	3160-0814	Tubeaxial fan (Matsushita FBK-09A12M2-MOD) - 12VDC, 35.3cfm - Mounting hole center spacing 82.5mm, 25.5mm thick NO LONGER SUPPLIED
-----	-----------	---

**Other Internal Parts**
**Guide**

194 C4704-40109 MIO board guide

**Housing**

195 C1633-00033 MIO support - Metal housing for the plug-in MIO card - Does not include the board guides  
NO LONGER SUPPLIED

196 C2858-40001 Service station housing  
NO LONGER SUPPLIED

**Primer**

197 C2858-60003 Primer assembly - Mounts under the service station assembly on the left side of the plotter  
NO LONGER SUPPLIED

**Reservoir**

198 C2858-40038 Reservoir - Attaches to left side chassis - Ink absorber is inserted into this reservoir  
NO LONGER SUPPLIED

**Sensor**

199 C2847-60069 Sensor assembly (for lift-up window)  
NO LONGER SUPPLIED

**Service Station**

200 C2858-60152 Service station kit - Includes service station cap, 4 primer tubes, absorber, sled, wiper, drop detect sensor, and bail sensor cable  
NO LONGER SUPPLIED

**Shield**

C4704-40050 SIMM module shield (Barrier) - Protective metal rectangular housing

**Spring**

202 C4723-80027 Cutter shim / bail spring  
NO LONGER SUPPLIED

**Strip**

203 C4714-60098 Encoder strip assembly (E-size) - Includes encoder strip and encoder strip spring

**Paper Drive Parts**
**Absorber**

235 C2858-00078 Absorber  
NO LONGER SUPPLIED

**Bail**

236 C2858-60115 Bail assembly - Has star wheel assemblies attached  
NO LONGER SUPPLIED

**Bail Lift Mechanism**

237 C2858-60209 Bail lift mechanism kit - Includes cam gear, engaging lever, engaging lever gear, engaging lever spring, Y-tensioner bracket, bail lift cam, cam gear support, screws, and washers  
NO LONGER SUPPLIED

**Bearing**

238 1410-0708 Sleeve bearing - Used on left end of overdrive assembly

**Bracket**

239 C1633-40037 Right bail bracket  
NO LONGER SUPPLIED

240 C1633-40038 Left bail bracket

241 C2847-00051 Y-tensioner bracket on left side plate  
NO LONGER SUPPLIED



### Paper Drive Parts

#### Cable

242 C2847-60019 Ribbon cable - 5 pin (F) connector to 5 pin (F) connector - 40.3cm (15.9 inches) long  
NO LONGER SUPPLIED

#### Cam

243 C1633-40052 Bail lift cam - Activates the bail lift lever (part of the bail lift mechanism kit)  
NO LONGER SUPPLIED

#### Gear

244 C1633-40019 Overdrive gear cluster  
245 C1633-40027 Bail engaging lever gear  
246 C1633-40028 Bail lift cam gear  
NO LONGER SUPPLIED

#### Gear Assembly

247 C4705-60089 Clutch / overdrive gear assembly

#### Handle

248 C1633-40030 Pinchwheel manual lift handle - Paper loading lever  
NO LONGER SUPPLIED

#### Hardware

249 0510-0083 Retaining E-ring - 0.250-in diameter, steel zinc-dichromate dip

#### Lever

250 C2847-40013 Bail engaging lever - Used to move engaging lever gear  
NO LONGER SUPPLIED

#### Motor/Gear

251 C2848-60003 Motor/encoder assembly (includes helical drive gear) - 'X' axis drive - NOTE: motor and gear are only sold as a set

#### Mount

252 C1633-20006 'X' axis motor mount  
NO LONGER SUPPLIED  
253 C1633-40089 Overdrive mount block

#### Overdrive Assy

254 C4706-60121 Overdrive support assembly (E)

#### Plate

255 C1633-00009 Axial Bias Plate - Installed between the paper drive (Platen) Roller Assembly and the right frame  
NO LONGER SUPPLIED

#### Platen

256 C2848-00010 Entry Platen - Installed over the paper drive (Platen) roller assembly  
NO LONGER SUPPLIED

#### Reservoir

257 C2858-40039 Ink drop reservoir - Installs on right side of plotter

#### Roller

258 C2859-60004 Paper drive (Platen) roller assembly - Long gear driven roller  
C4700-60042 *New Part for C2859-60004*

#### Sensor

259 C2847-60021 Media sensor assembly - Includes cable  
C2847-60022 Pincharm sensor - Includes cable  
NO LONGER SUPPLIED  
261 C3180-60034 Pincharm sensor - Includes cable  
NO LONGER SUPPLIED



### Paper Drive Parts

#### Spring

262 C1633-80006 Bail engaging lever spring  
NO LONGER SUPPLIED

#### Starwheel Mount

263 C4713-60035 Starwheel mount assembly - Includes cover, body, spring and two starwheels

#### Support

264 C2847-40015 Cam gear support - Supports bail lift cam gear - Mounted on Y-tensioner bracket (Part of the bail lift mechanism kit)  
NO LONGER SUPPLIED

C2858-60209 *New Part for C2847-40015*

### Paper and Other Media

#### Film (Matte)

51642C Polyester matte film - B size (11 x 17-inches) - 40 sheets  
NO LONGER SUPPLIED

51642A *New Part for 51642C*

51642F Polyester matte film - A3 size (29.7cm x 42.0cm) - 40 sheets  
NO LONGER SUPPLIED

51642G Polyester matte film - D size (22 x 34-inches) - 40 sheets  
NO LONGER SUPPLIED

51642A *New Part for 51642G*

51642H Polyester matte film - A1 size (59.4cm x 84.1cm) - 40 sheets  
NO LONGER SUPPLIED

51642A Polyester matte film - 61cm (24in) x 36.6m (120ft) roll

51642J Polyester matte film - Architectural D size (24 x 36-inches) - 40 sheets  
NO LONGER SUPPLIED

51642A *New Part for 51642J*

51642M Polyester matte film - A0 size (84.1cm x 118.9cm) - 40 sheets  
NO LONGER SUPPLIED

51642K Polyester matte film - E size (34 x 44-inches) - 40 sheets  
NO LONGER SUPPLIED

51642B Polyester matte film - 91.4cm (36in) x 36.6m (120ft) roll

51642N Polyester matte film - Architectural E size (36 x 48-inches) - 40 sheets  
NO LONGER SUPPLIED

#### Paper

C3851A Opaque bond paper - 61cm (24in) x 45.7m (150ft) roll  
NO LONGER SUPPLIED

C3855A Opaque bond paper - Architectural D size (24 x 36-inches) - 100 sheets  
NO LONGER SUPPLIED

C1860A *New Part for C3855A*

C3889A Color InkJet cut sheet paper - Architectural D size (24 x 36-inches) - 100 sheets  
NO LONGER SUPPLIED

51631D *New Part for C3889A*

C3850A Opaque bond paper - 91.4cm (36in) x 45.7m (150ft) roll  
NO LONGER SUPPLIED

C3854A Opaque bond paper - Architectural E size (36 x 48-inches) - 100 sheets  
NO LONGER SUPPLIED

C3888A Color InkJet cut sheet paper - Architectural E size (36 x 48-inches) - 100 sheets  
NO LONGER SUPPLIED



## Paper and Other Media

### Paper (Bright White)

C1861A Bright white InkJet paper - 91.4cm (36in) x 45.7m (150ft) roll

### Paper (Coated)

C6020B Coated paper (98 gsm) - 91.4cm (36in) x 45.7m (150ft) roll (USA, Canada, and Latin America)

### Paper (InkJet)

51630Z Color InkJet CX cut sheet paper - A4 size (21.0cm x 29.7cm) - 200 sheets per package  
NO LONGER SUPPLIED

51630Y Color InkJet CX cut sheet paper - A size (8.5 x 11-inches) - 200 sheets per package  
NO LONGER SUPPLIED

51631A Color InkJet CX cut sheet paper - B size (11 x 17-inches) - 200 sheets per package  
NO LONGER SUPPLIED

51631B Color InkJet CX cut sheet paper - A3 size (29.7cm x 42.0cm) - 200 sheets per package  
NO LONGER SUPPLIED

51631G Color InkJet cut sheet paper - D size (22 x 34-inches) - 100 sheets per package  
NO LONGER SUPPLIED

51631D *New Part for 51631G*

51631H Color InkJet cut sheet paper - A1 size (59.4cm x 84.1cm) - 100 sheets per package  
NO LONGER SUPPLIED

51631D Color InkJet paper - 61cm (24in) x 45.7m (150ft) roll

51648D Heavyweight color InkJet paper - 61cm (24in) x 45.7m (150ft) roll  
NO LONGER SUPPLIED

51631M Color InkJet cut sheet paper - A0 size (84.1cm x 118.9cm) - 100 sheets per package  
NO LONGER SUPPLIED

C3887A Special InkJet cut sheet paper - E size (34 x 44-inches) - 100 sheets per package  
NO LONGER SUPPLIED

51631E Color InkJet paper - 91.4cm (36in) x 45.7m (150ft) roll

51648E Heavyweight color InkJet paper - 91.4cm (36in) x 45.7m (150ft) roll

### Paper (Translucent)

C3859A Translucent bond paper - 91.4cm (36in) x 45.7m (150ft) roll

## Roll Feed Parts

### Brake/Housing

265 C4704-60199 Brake/housing assembly (on right side) - Accepts the flange end of the spindle rod assembly - Includes the 2 housing pieces, 2 brake shoes, brake gear, brake lever, and springs

### Cover

266 C4706-60084 Rollfeed access cover - Opens forward to allow access to paper spindle assembly - Includes cover and springs

### End Cap

267 C2858-40043 Spindle end cap (small) (or core spacer) - Removes for loading the media roll

268 C3172-40006 Spindle end cap (large)

### Housing

269 C4704-60082 Housing assembly (on left side)

### Spindle Kit

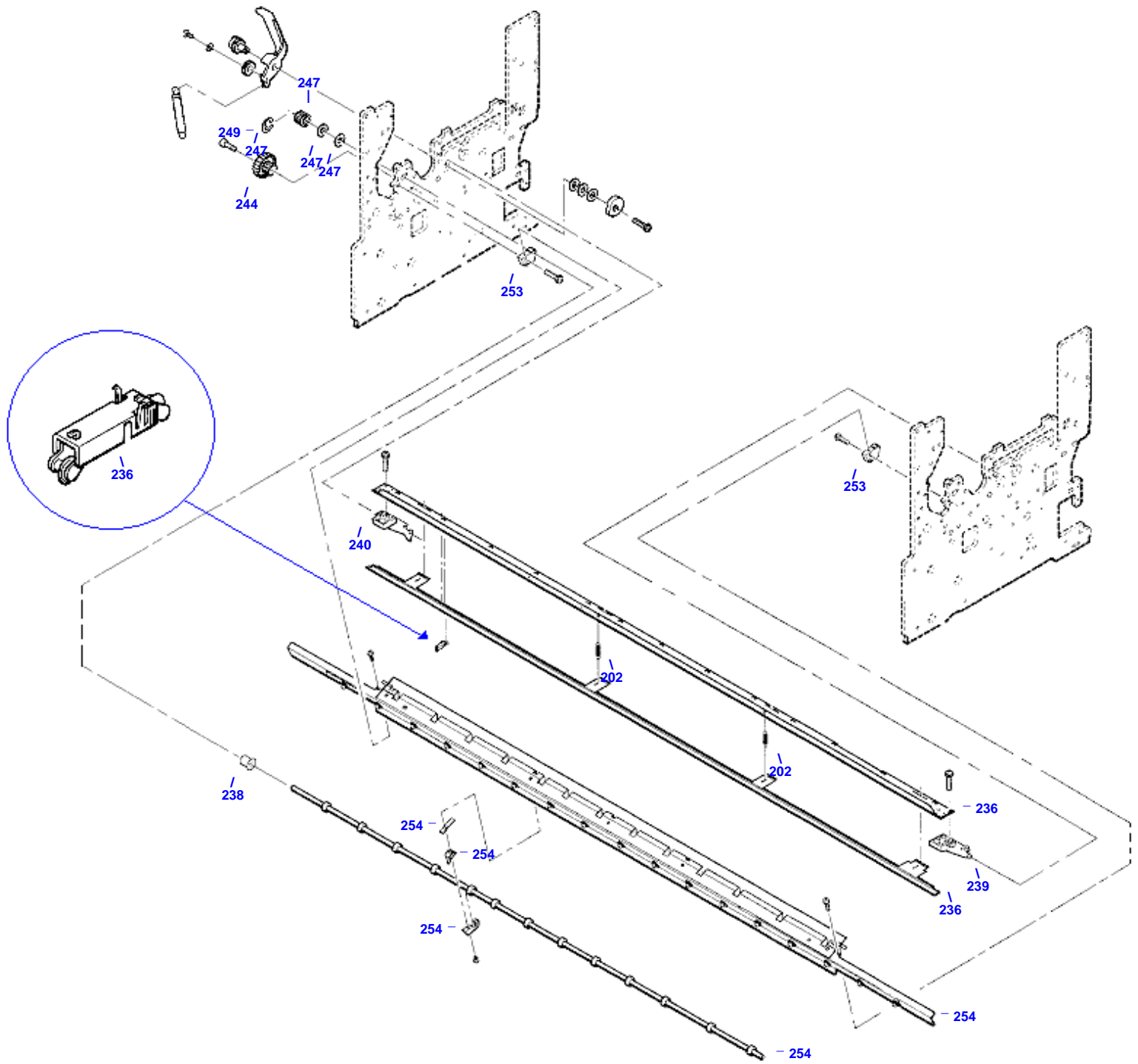
270 C2848-60011 Rollfeed spindle rod assembly (E-size) - Includes spindle and end caps

271 C3173A E/A0 rollfeed spindle rod assembly for DesignJet 6xx/7xx - Includes spindle and end caps

### Spring

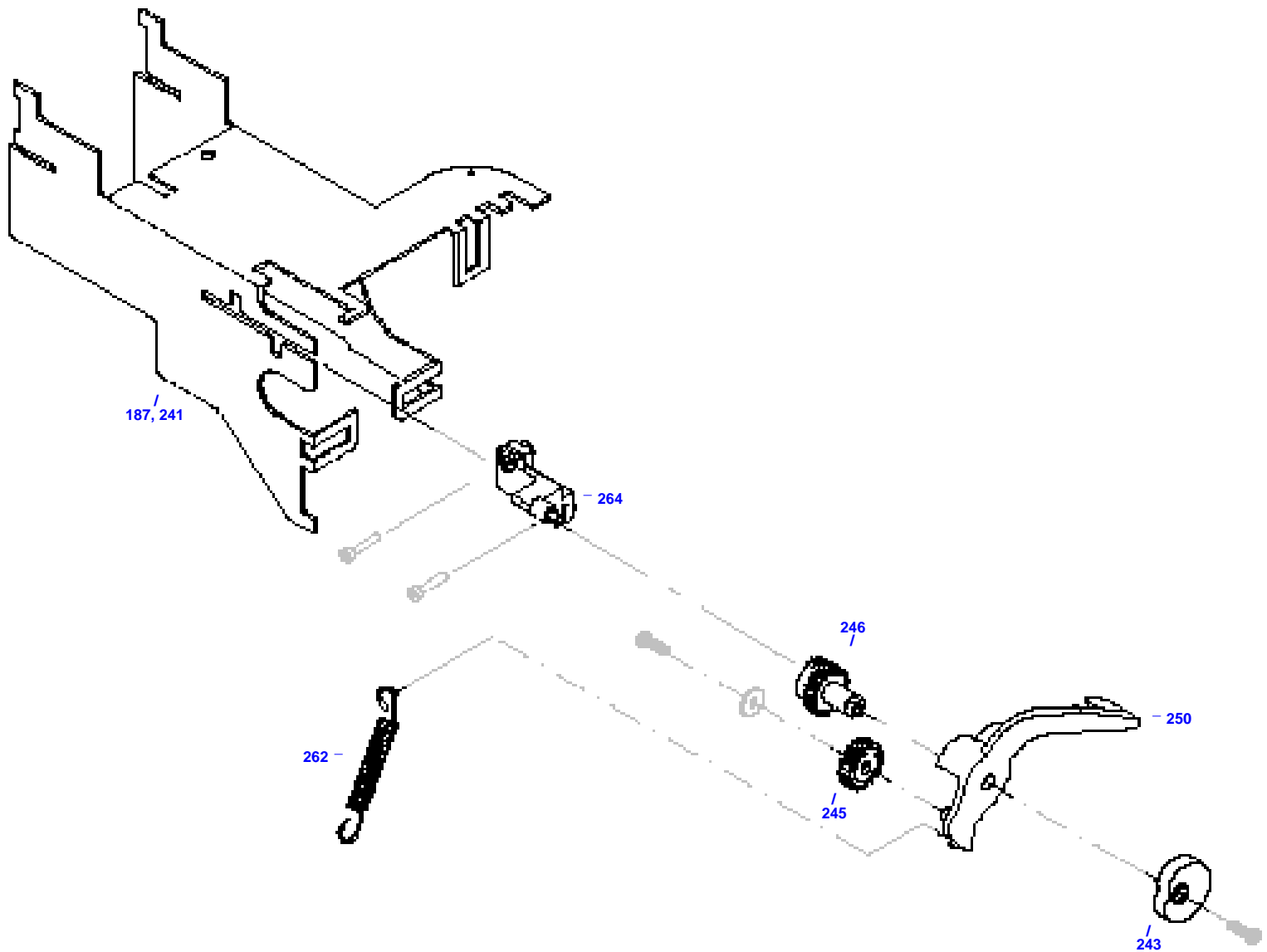
272 C1633-80004 Extension spring - Holds the rollfeed access cover closed

Bail and Overdrive Assemblies

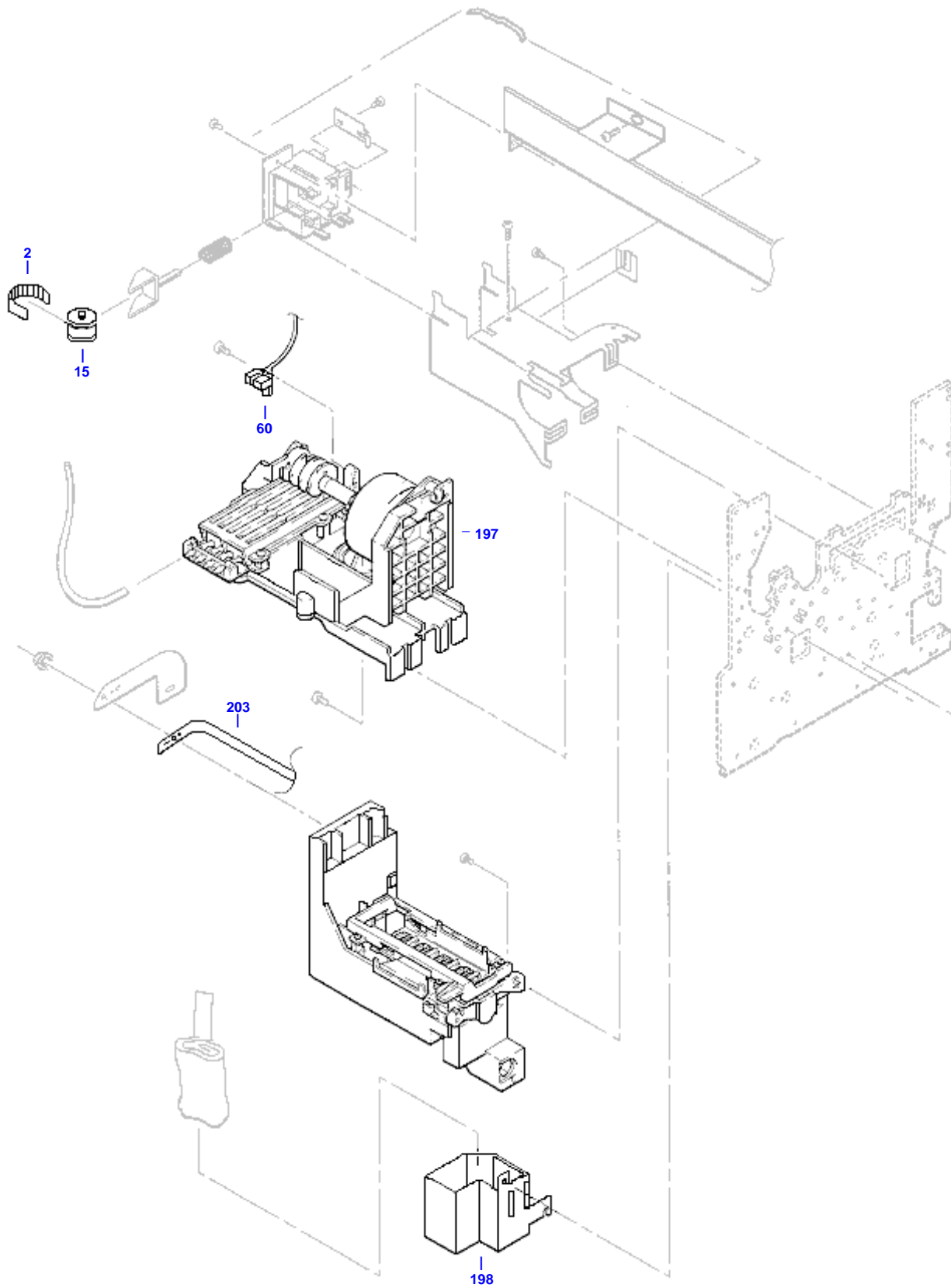


Bail Lift Mechanism Kit

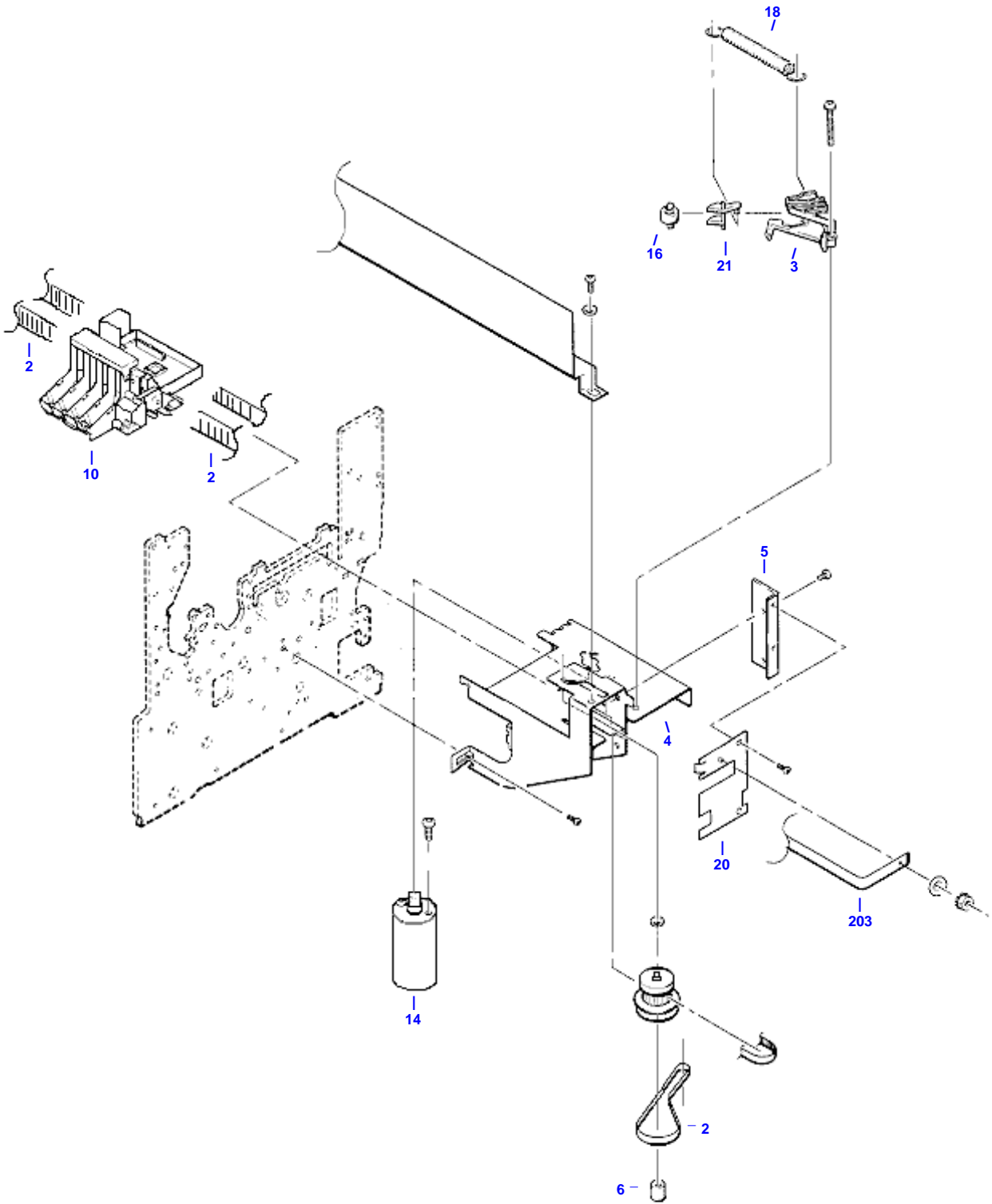
 **Bail Lift Mechanism Kit** - 237, 264



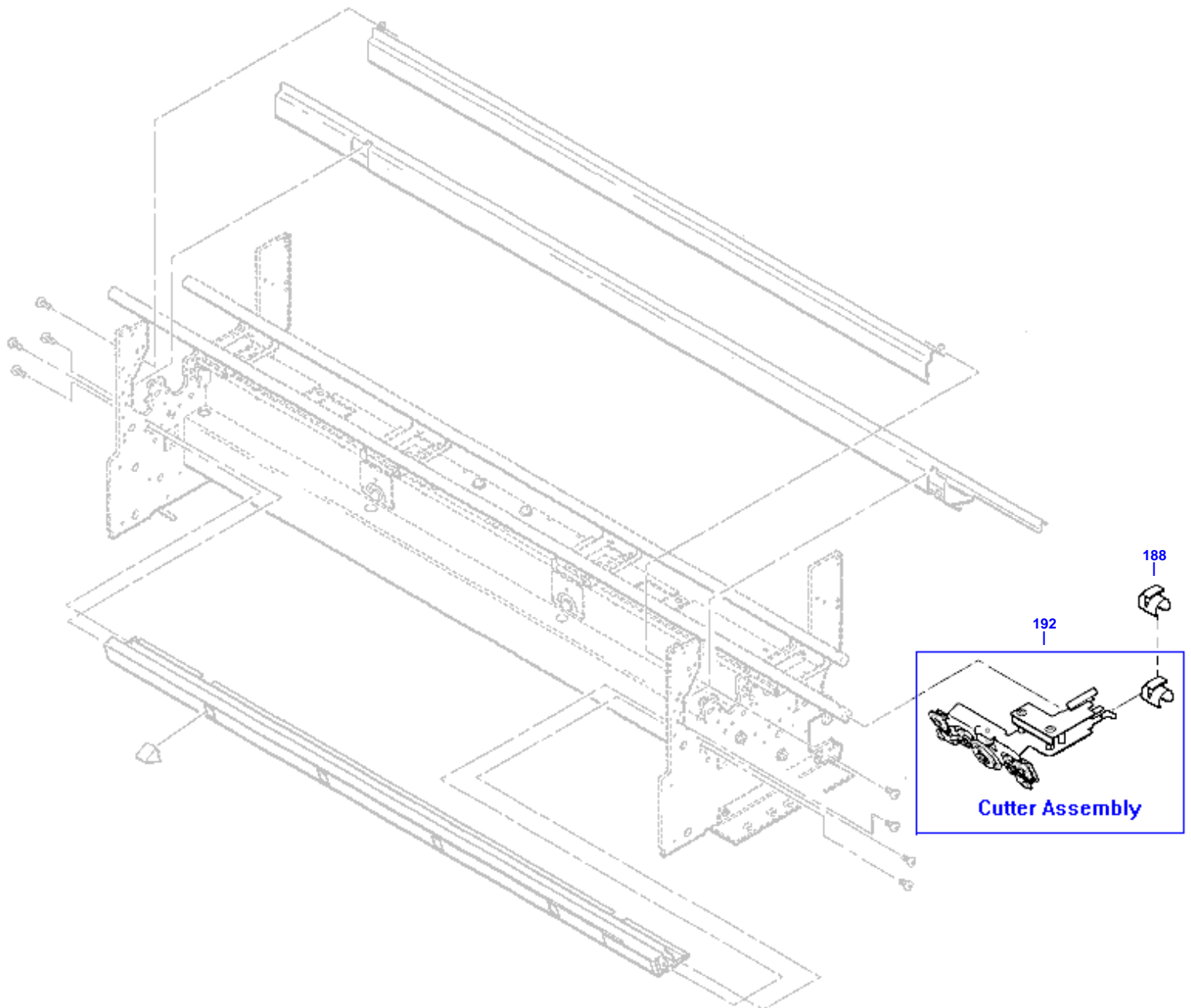
### Carriage Axis Drive (Left End)



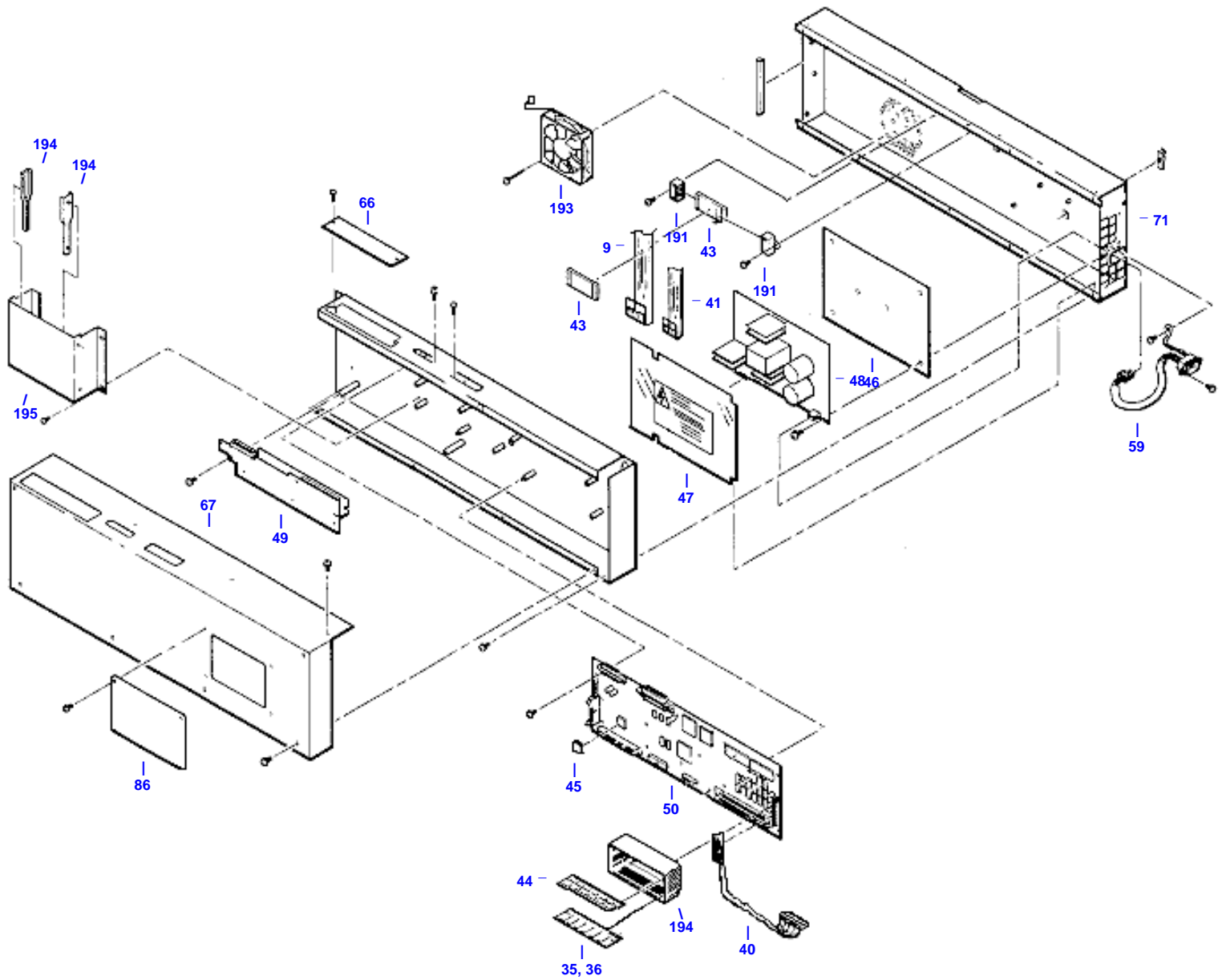
Carriage Axis Drive (Right End)



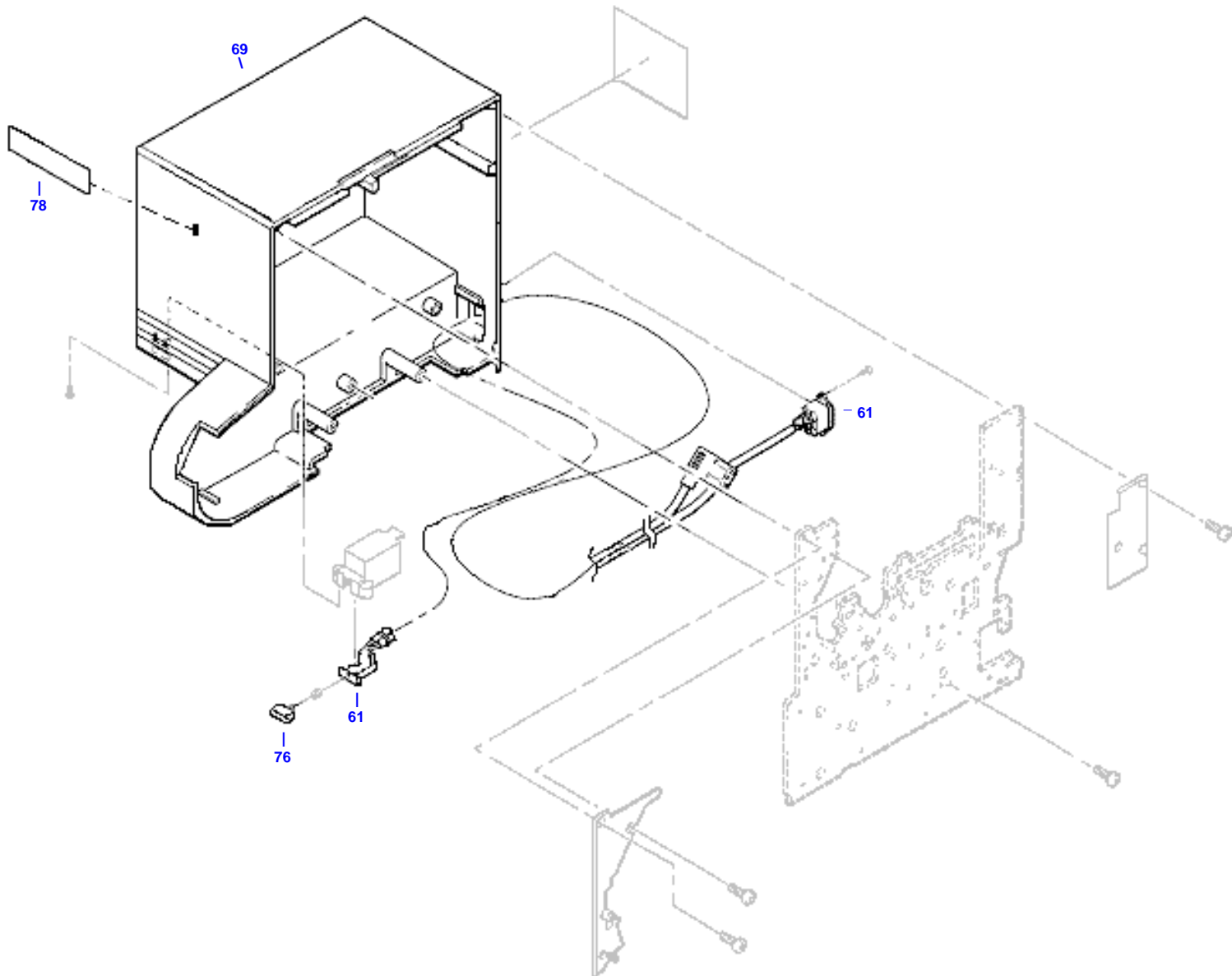
Cutter Assembly



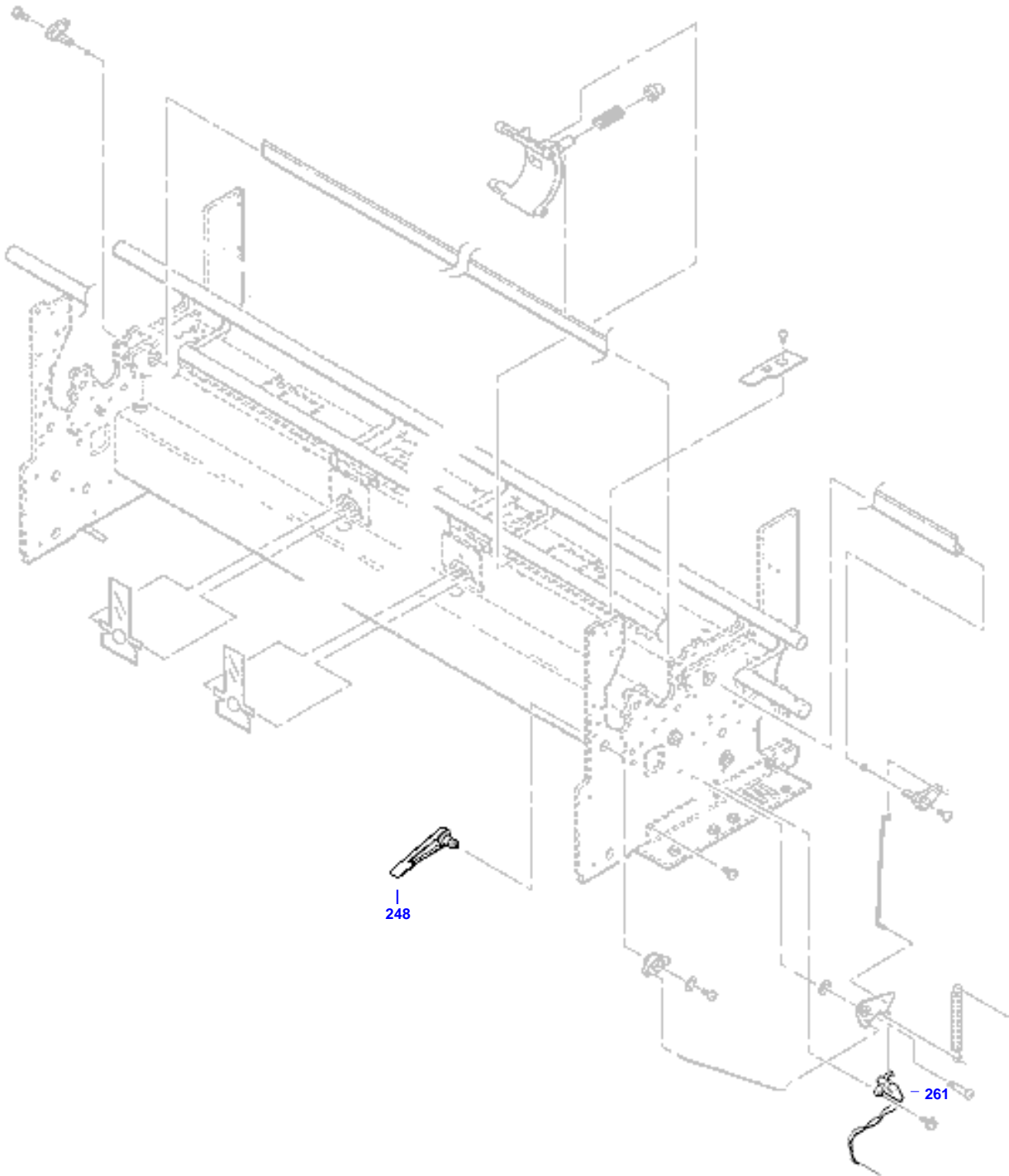
Electronics Enclosure



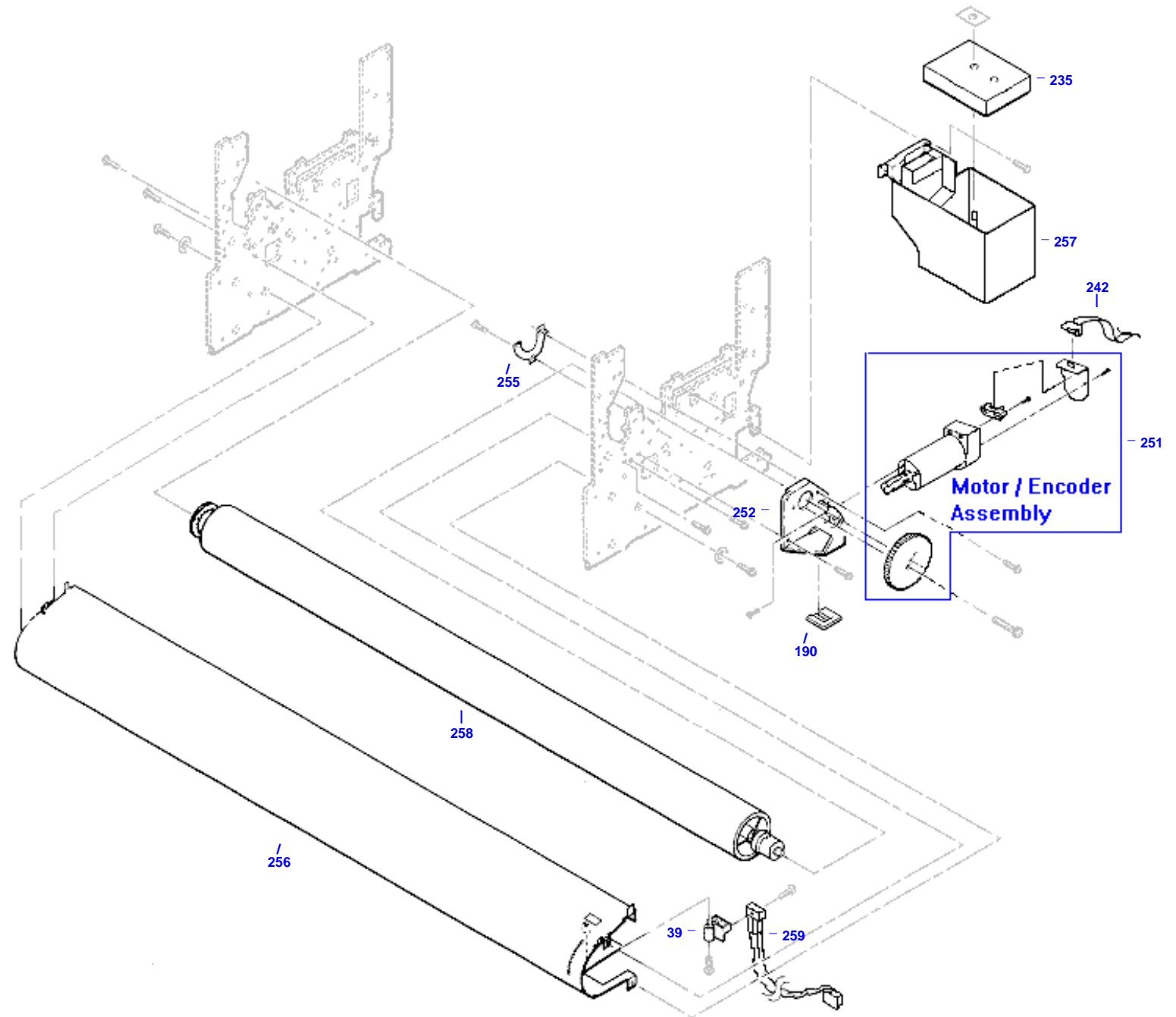
Left Endcover and Trim



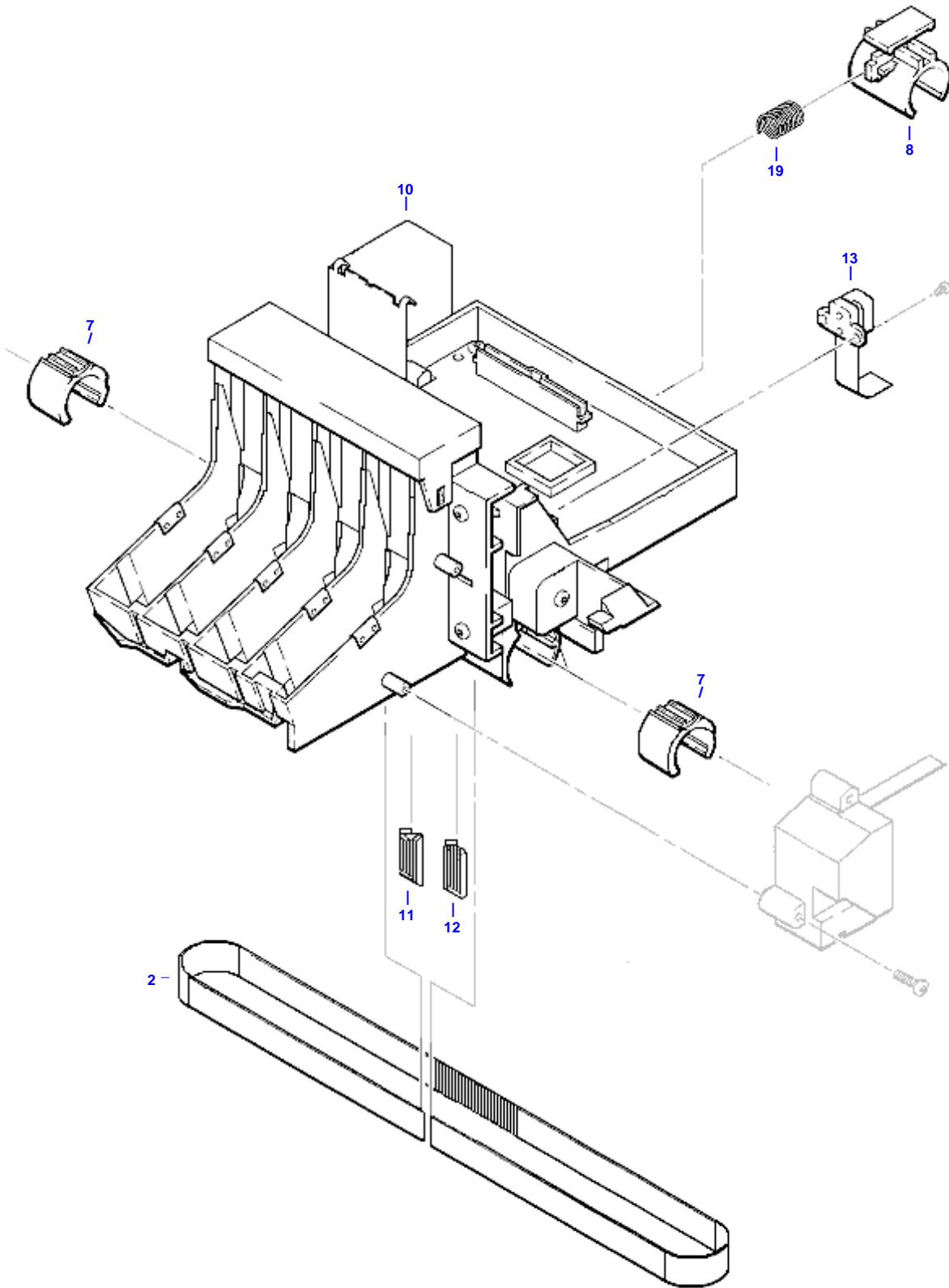
Manual Lift Lever



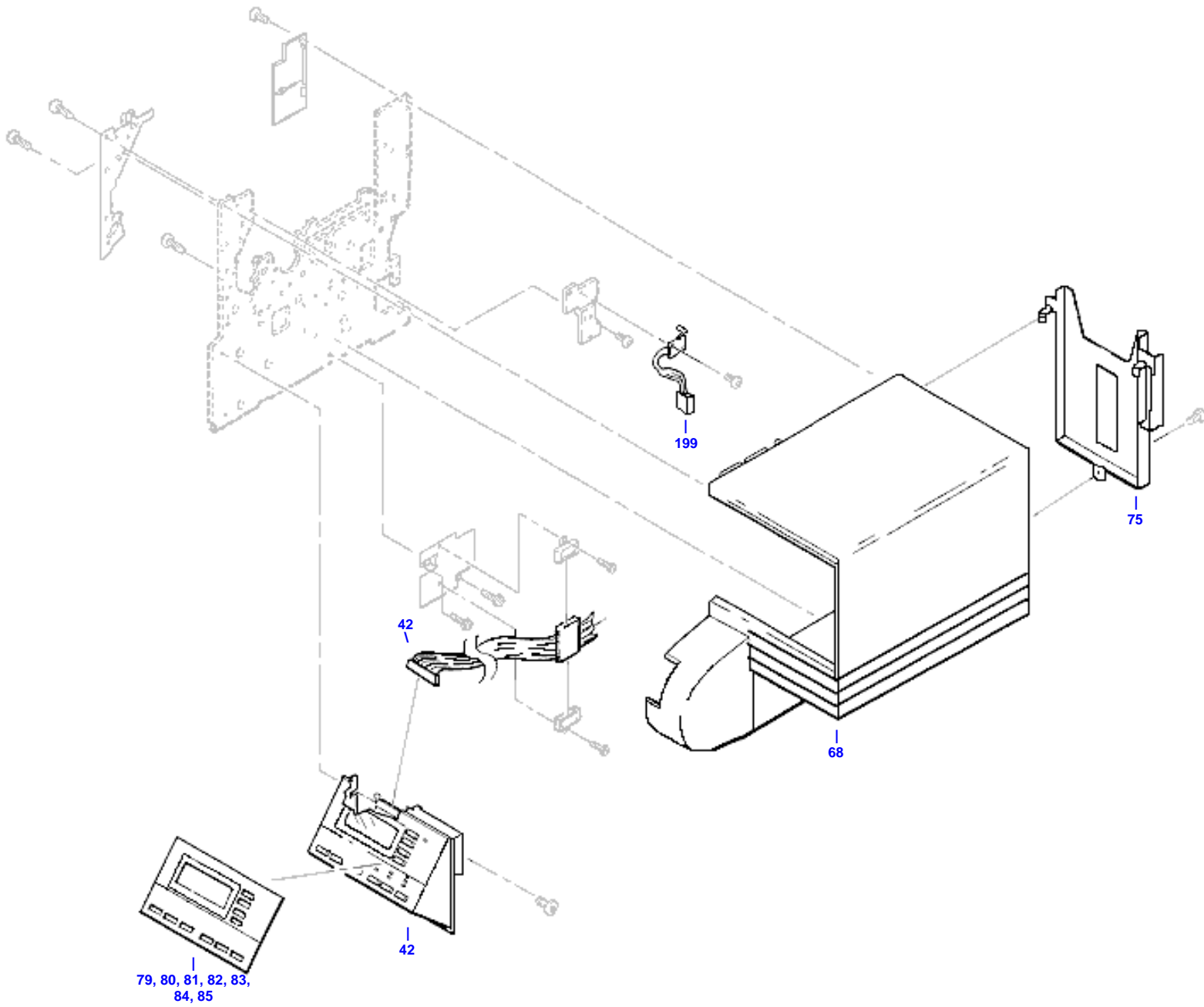
Paper Drive Assemblies



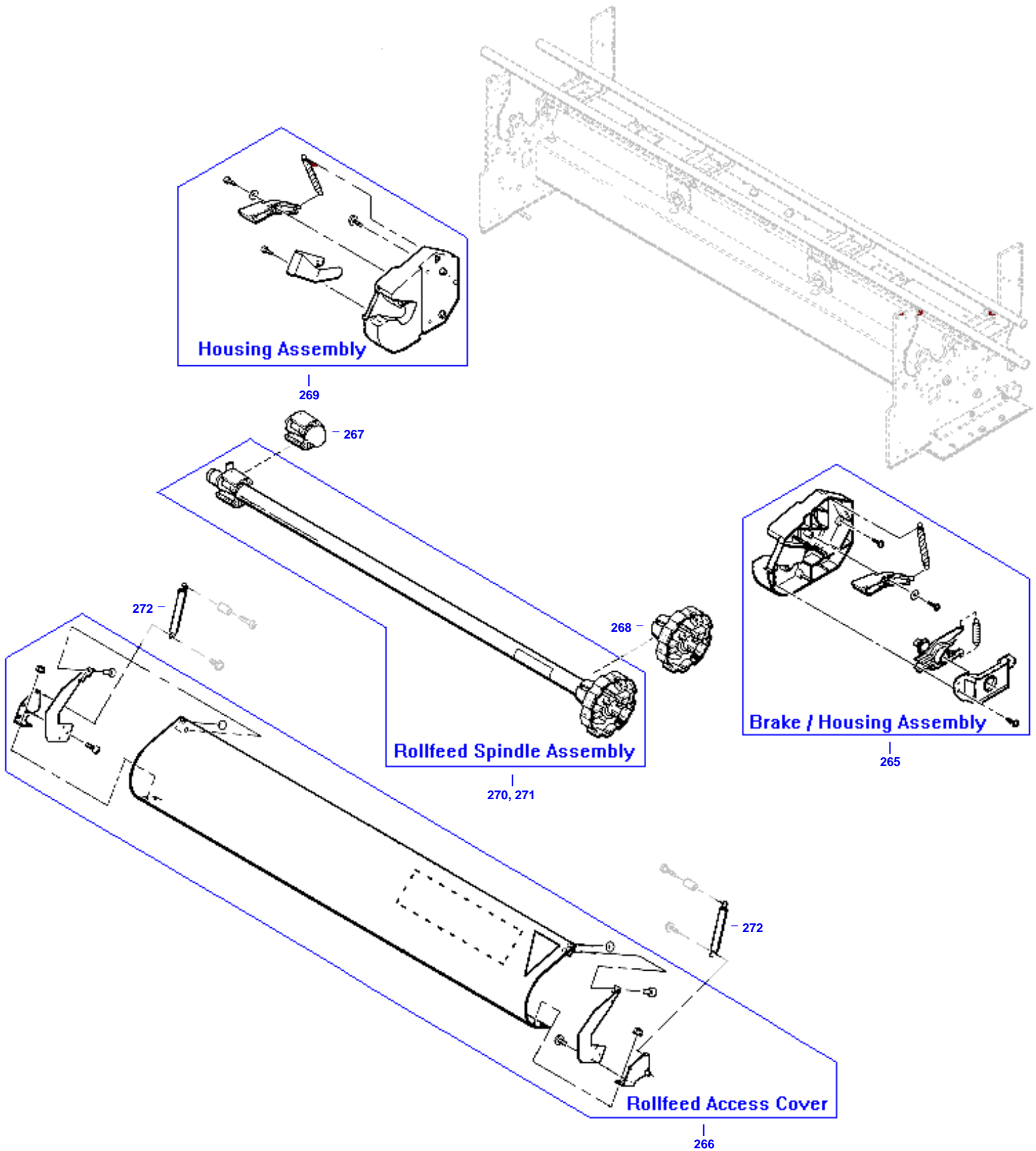
Pen Carriage Assembly



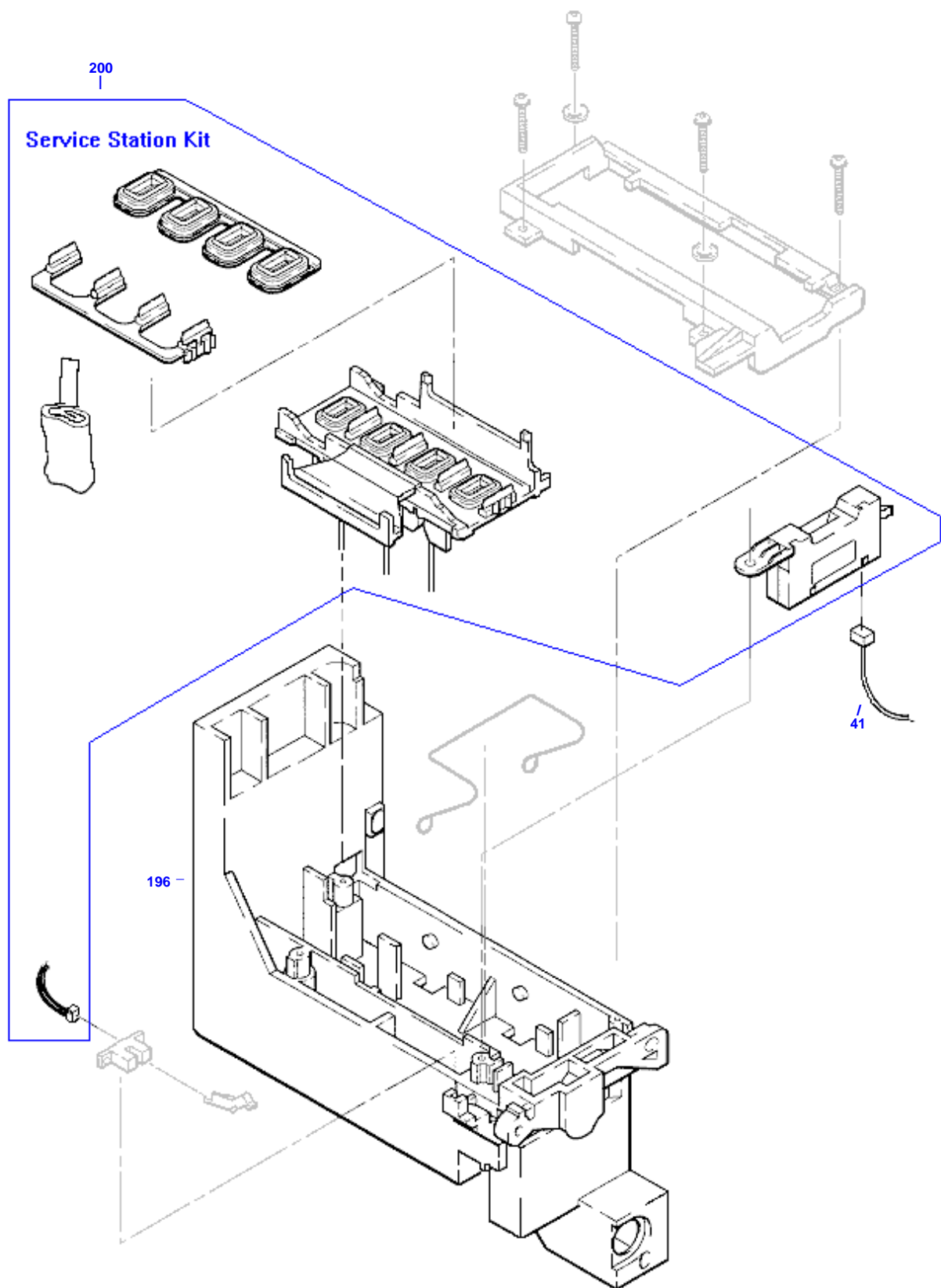
Right Endcover and Trim



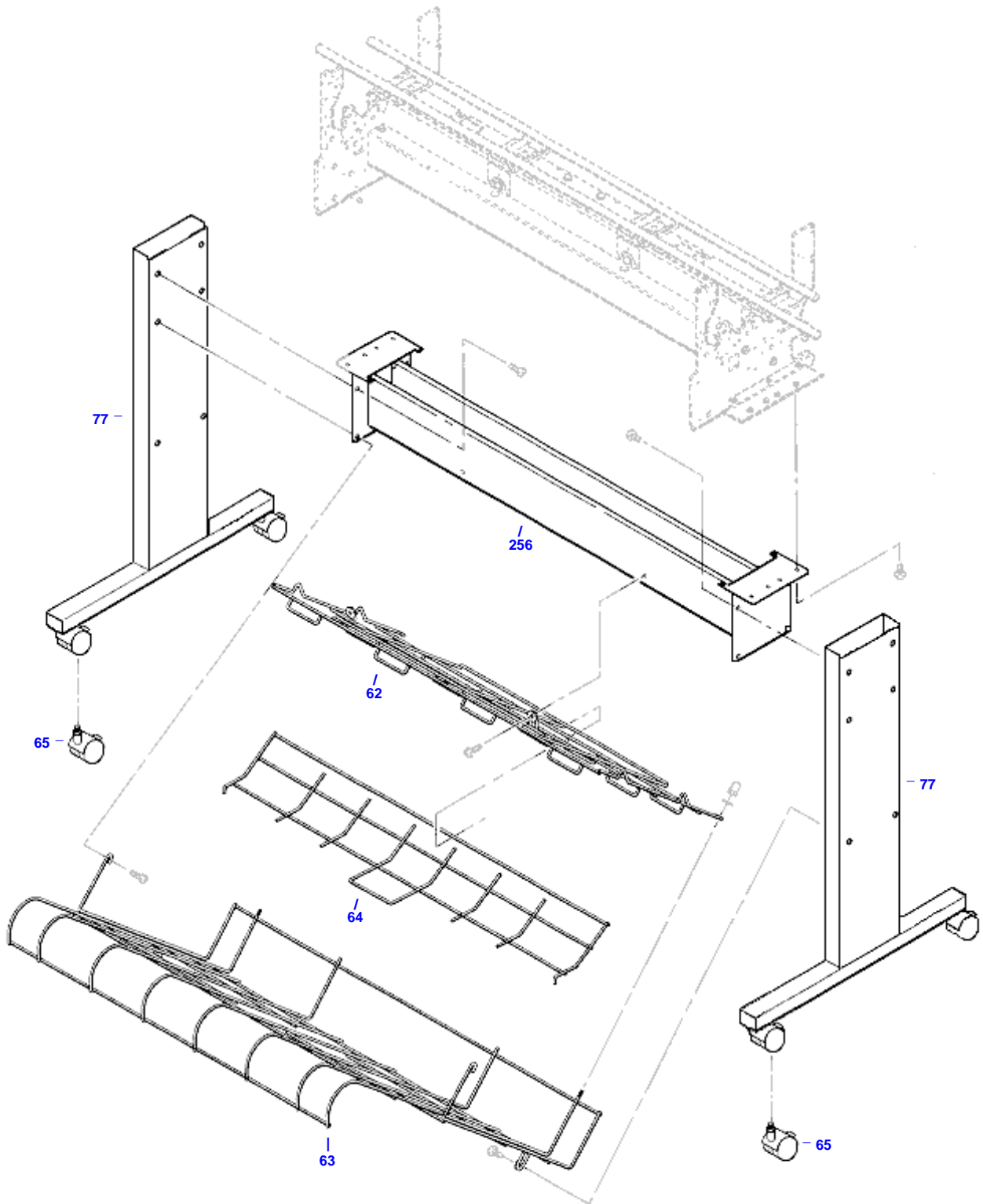
Rollfeed Components



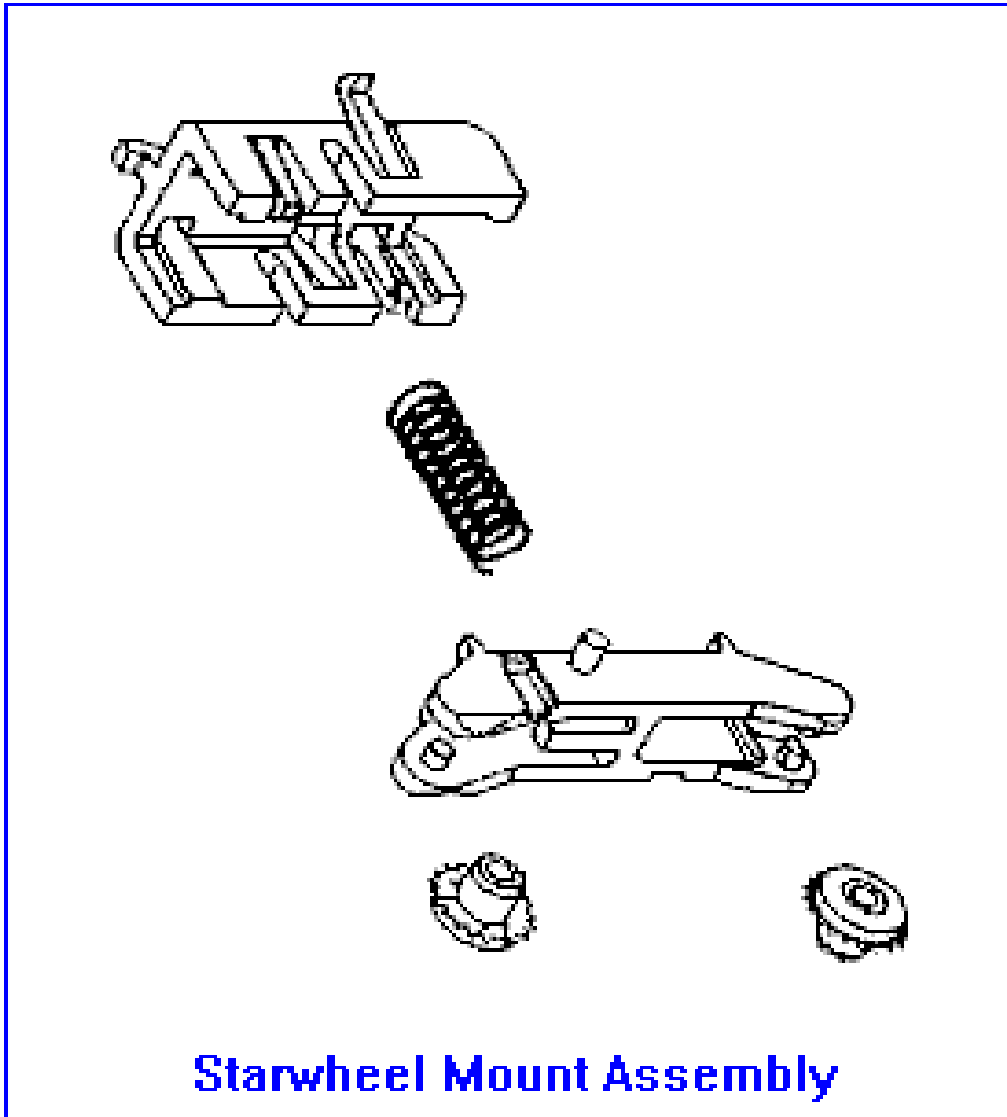
Service Station Assembly



Stand Assemblies

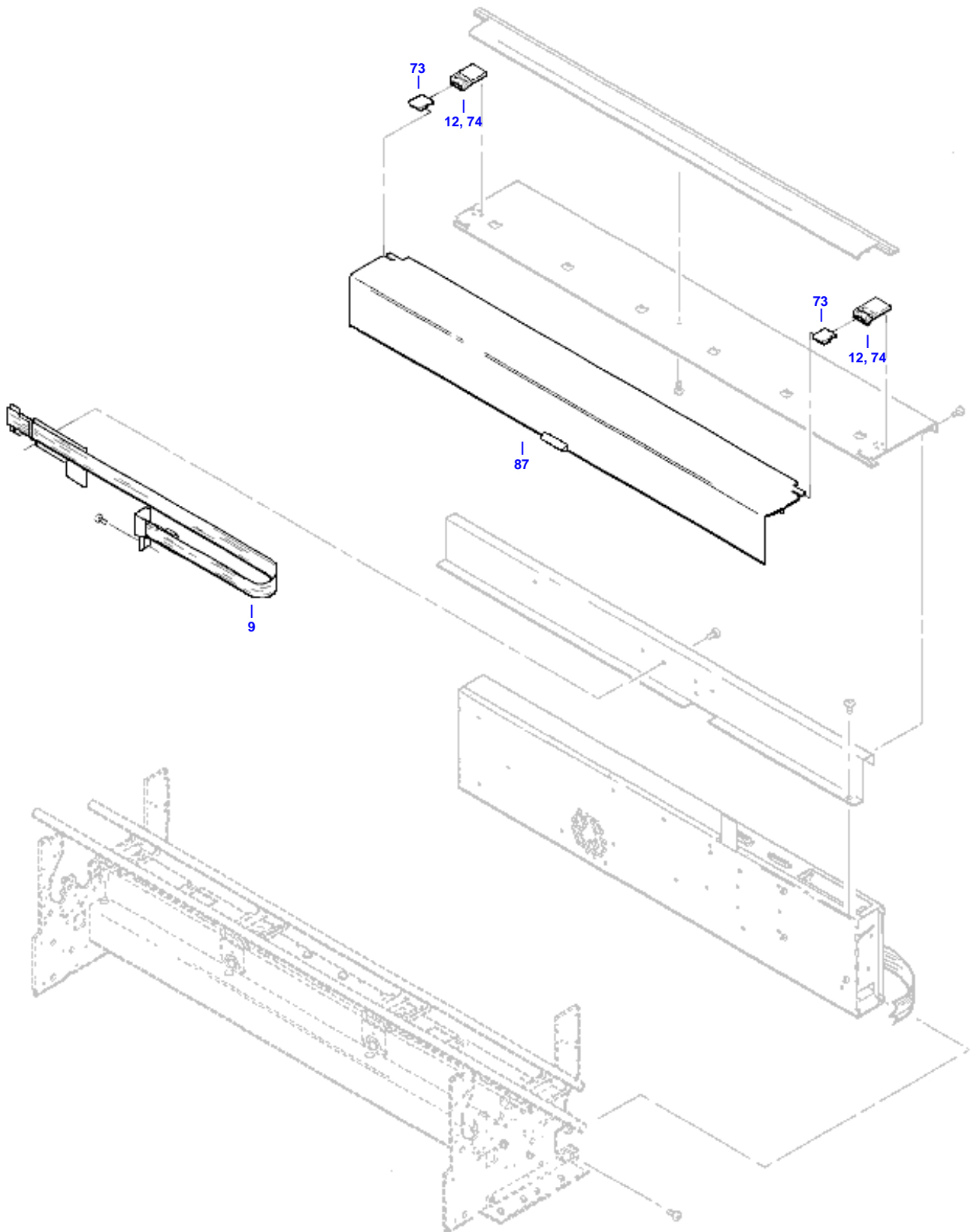


Starwheel Mount Assembly

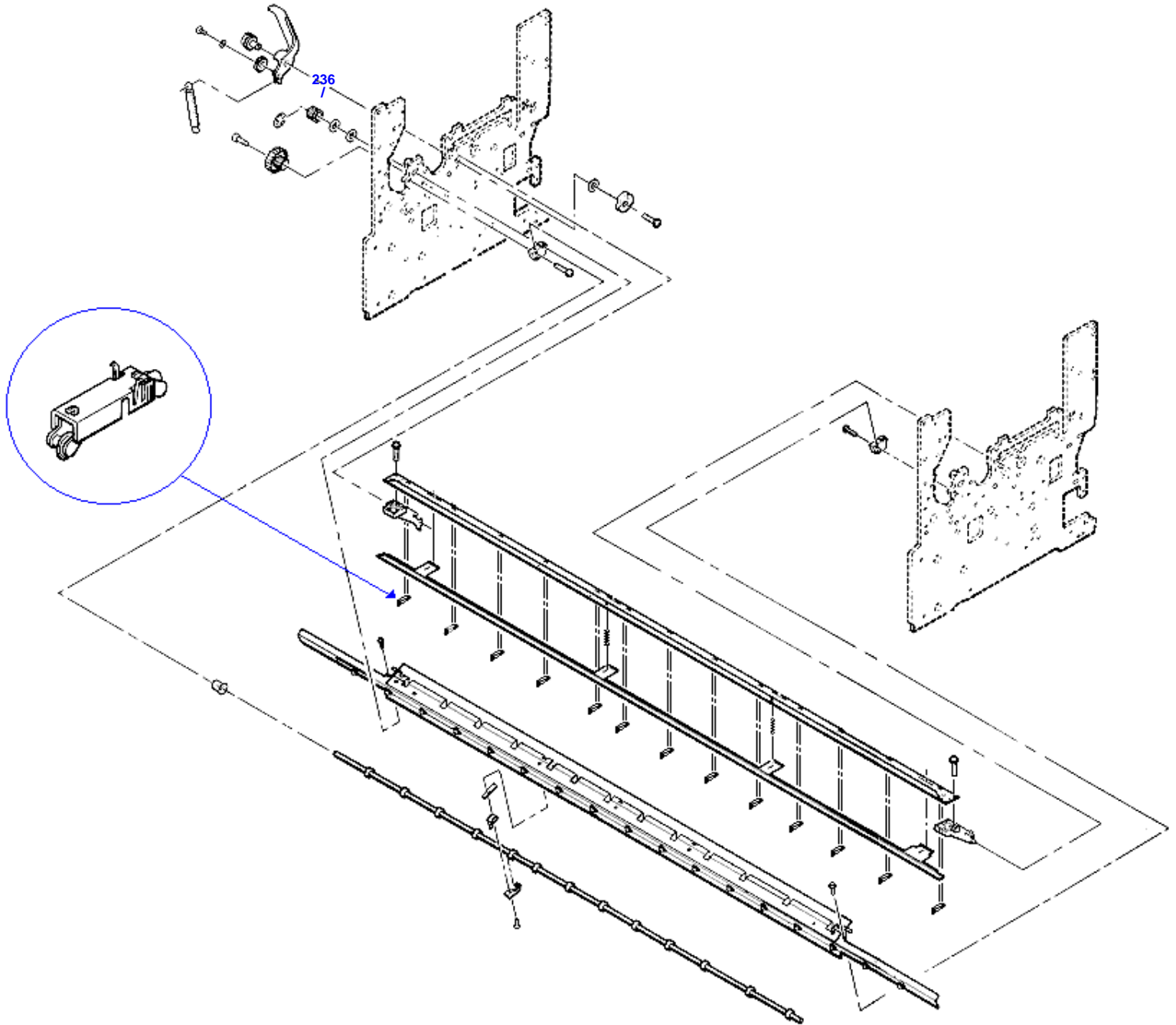


|  
263

### Window and Back Cover Assemblies



Bail and Overdrive Assemblies





**HP Parts Reference Guide**

<http://www.hp.com/go/parts>

**HP PartSurfer**

<http://partsurfer.hp.com>

**HP Parts Ordering Information**

<http://www.hp.com/go/hpparts>

**HP Parts Questions/Comments**

<http://partsurfer.hp.com/contactus.htm>