



Carriage Drive Parts

Belt

1 C7770-60014 Carriage Belt - Drives the carriage assembly (42-inch)

Bracket/Guide

2 C7769-60170 Left cutter guide bracket and left encoder holder kit

Cable Kit

3 C7770-60274 Carriage assembly trailing cable kit - Includes installation instructions, trailing cables, mounting clips, and a ferrite - Cables have 30-pin (M) edge connectors - 2.0m (6.5ft) long - For 42-inch models

Carriage

4 C7769-60272 Printhead carriage assembly - Includes carriage, bushings, pen latches, carriage position sensor, and line sensor

Motor

5 C7769-60146 Carriage (scan-axis) motor assembly - Includes cable

Strip

6 C7770-60013 Encoder strip (42-inch) - Connects from Left to Right Side of Printer

Tensioner

7 C7769-60176 Belt tensioner kit - Keeps carriage belt tight - Includes pulley and pulley mount bracket

Cutter Assembly Parts

Bracket/Guide

8 C7769-60170 Left cutter guide bracket and left encoder holder kit

Bushing

9 C7769-60169 Cutter bushing

Cutter

10 C7769-60163 Cutter assembly

Guide

C7770-60017 Cutter guide - Long Rail Installed Near the Pinch-Wheels

Electronic Accessories

Cable (Interface)

C2951A IEEE-1284 Bi-Tronics parallel cable - DB-25 (M) connector (type A) to 36 pin Centronics (M) connector (type B) - 3.0m (9.8ft) long

8120-8485 Universal Serial Bus (USB) interface cable - Type 'A' connector to type 'B' connector, 1.8m (6.0 ft) long

C2392A Universal serial bus (USB) interface cable - Type 'A' connector to type 'B' connector - 5.0m (16ft) long

Interface (Product)

15 J3110A Ethernet 10Base-T (RJ-45) EIO network internal print server PC board

16 J3111A Ethernet 10Base-T/10Base2 and LocalTalk (RJ-45, BNC, LocalTalk) EIO network PCA

17 J3112A JetDirect 600N token ring LAN interface board - DB-9 and RJ-45 connectors
NO LONGER SUPPLIED

18 J3113A JetDirect 600N internal print server (10Base-T and 100Base-TX) LAN interface board - Plugs into peripheral EIO slot

J3258B External JetDirect 170X LAN interface module - Interfaces a parallel printer to an ethernet 10Base-T (RJ-45) LAN

J3263A External JetDirect 300X LAN interface module - Interfaces a parallel printer to an ethernet 10Base-T (RJ-45) or 100Base-TX (RJ-45) LAN

J3264A External JetDirect 500X token ring interface module - Interfaces up to 3 parallel printers to a token ring (DB-9 or RJ-45) LAN

J3265A External JetDirect 500X LAN interface module - Interfaces up to 3 parallel printers to an ethernet 10Base-T (RJ-45), 10Base2 (BNC), or 100Base-TX (RJ-45) LAN

23 J4167A JetDirect 610N token ring LAN interface board - DB-9 and RJ-45 connectors

24 J4169A JetDirect 610N internal print server (10Base-T and 100Base-TX) LAN interface board - Plugs into peripheral EIO slot - Has a RJ-45 connector - Comes with software on CD-ROM and manual

J6057A JetDirect 615N internal print server (10Base-T and 100Base-TX) LAN interface board - Plugs into peripheral EIO slot - Has a RJ-45 connector - Comes with software on CD-ROM and manual



Electronic Accessories

Interface (Product)

- J6057AR JetDirect 615N internal print server (10Base-T and 100Base-TX) LAN interface board - Plugs into peripheral EIO slot - Has a RJ-45 connector - Comes with software on CD-ROM and manual
- J6058A JetDirect 680N internal wireless IEEE-802.11b (Wi-Fi) print server - Plugs into peripheral EIO slot

Memory (Product)

- 28 C2387A 64MB SO-DIMM memory module
- 29 C2388A 128MB SO-DIMM memory module

Module (Product)

- J4101B External JetDirect LAN interface module with EtherTwist (10Base-T/Base-TX) connector
- J4102B External JetDirect LAN interface module with EtherTwist (10Base-T) connector

PC Board (Interface)

- 32 J3110-69001 JetDirect 600N EIO internal print server 10Base-T LAN interface board - Has one RJ-45 connector - (J3110A) - NOTE: EIO Interface Boards are NOT Interchangeable with MIO Boards
J6057-69001 New Part for J3110-69001
- 33 J3111-69001 JetDirect 600N EIO internal print server 10Base-T, 10BASE-2, and LocalTalk LAN interface board - Has one RJ-45, BNC, and 8-pin DIN connector - (J3111A) - NOTE: EIO interface boards are NOT interchangeable with MIO boards REQUIRES RETURN OF DEFECTIVE PART
J3111-61001 New Part for J3111-69001
- 34 J3112-69001 JetDirect 600N EIO internal print server token ring LAN interface board - Has one RJ-45 and DB-9 connector
J4167-69001 New Part for J3112-69001
- 35 J3113-69001 JetDirect 600N EIO internal print server 10Base-T and 100Base-T LAN interface board - Has one RJ-45 connector
- 36 J4169-69001 JetDirect 610N internal print server 10Base-T and 100Base-T LAN interface board - Has one RJ-45 connector
J6057-69001 New Part for J4169-69001

Upgrade Kit

- 37 C7772A Formatter upgrade kit - Adds HP-GL/2 and RTL support and a slot for an additional memory module - Plugs into an EIO card slot

Electronics/Power Supply

Cable Kit

- C7770-60267 Ribbon cable kit - Includes installation instructions and ribbon cable with ferrite - Cable has 40 pin (F) connectors - 2.0m (6.5ft) long

Control Panel

- 39 C7769-60161 Control panel assembly - Includes ribbon cable and english overlay marked with 'Menu', 'Back', 'Enter', 'Cancel', and 'Form feed and cut'

Fan

- 40 C7769-60150 Vacuum fan assembly - Installed under the main printer chassis

Memory (DIMM)

- 41 C7769-60244 64MB SO-DIMM memory module - Can be Installed ONLY into the Formatter Board
- 42 C7769-60245 128MB SO-DIMM memory module - Can be Installed ONLY into the Formatter Board

Module

- 43 C7779-69144 Electronics module - Contains main logic board, connectors for plug-in cards, connector for parallel interface cable, connector for USB cable, and cooling fan
REQUIRES RETURN OF DEFECTIVE PART
C7779-60144 New Part for C7779-69144

PC Board

- 44 C7769-60173 Interconnect PC board - Installed in right-side of printer
- 45 C7769-69260 HP-GL/2 and RTL formatter PC board
REQUIRES RETURN OF DEFECTIVE PART
C7769-60260 New Part for C7769-69260



Electronics/Power Supply

PC Board (Interface)

46 J3113-69001 JetDirect 600N EIO internal print server 10Base-T and 100Base-T LAN interface board - Has one RJ-45 connector

Power Cord

8120-0698 Power cord (Black) - 18 AWG, 2.3m (7.5ft) long - Has straight (F) receptacle (For 220V/240V in the USA and Canada)

8120-1351 Power cord (Mint Gray) - 17 AWG, 2.3m (7.5ft) long - Has straight (F) receptacle (For 240V in the UK, Hong Kong, Singapore, Malaysia, and Brunei)

8120-1369 Power cord (Mint Gray) - 17 AWG, 2.0m (6.6ft) long - Has straight (F) receptacle (For 240V in Australia, New Zealand, and China)

8120-1378 Power cord (Jade Gray) - 18 AWG, 2.3m (7.5ft) long - Has straight (F) receptacle (For 120V in USA, Canada, Latin America, Korea, Taiwan, Thailand, Spain, Brazil, and Vietnam)

8120-1689 Power cord (Mint Gray) - 17 AWG, 2.0m (6.6ft) long - Has straight (F) receptacle (For 220V in Europe, Bangladesh, Indonesia, Pakistan, Burma, Sri Lanka, and Vietnam)

8120-2104 Power cord (Mint Gray) - 2.0m (6.6ft) long - Has straight (F) receptacle (For 220V in Switzerland)

8120-2956 Power cord (Mint Gray) - 2.0m (6.6ft) long - Has straight (F) receptacle (For 220V in Denmark)

8120-4211 Power cord (Mint Gray) - 17 AWG, 2.0m (6.6ft) long - Has straight (F) receptacle (For 240V in South Africa and India)

Power Supply

55 C7769-60145 Power supply assembly - Includes power switch

Sensor

56 C7769-60168 Media sensor - Installed in the front of the rear platen

57 C7769-60172 Drive roller encoder sensor - Installed on left end of paper drive roller

58 C7769-60194 Pincharm sensor - Installed in right front of print chassis

Service Station

59 C7769-60149 Service station - Includes wipers, pen caps, and the right hand spittoon - Installed in Right Side of Printer

Optional Interfaces

Power Cord

8120-1351 Power cord (Mint Gray) - 17 AWG, 2.3m (7.5ft) long - Has straight (F) receptacle (For 240V in the UK, Hong Kong, Singapore, Malaysia, and Brunei)

8120-1369 Power cord (Mint Gray) - 17 AWG, 2.0m (6.6ft) long - Has straight (F) receptacle (For 240V in Australia, New Zealand, and China)

8120-1378 Power cord (Jade Gray) - 18 AWG, 2.3m (7.5ft) long - Has straight (F) receptacle (For 120V in USA, Canada, Latin America, Korea, Taiwan, Thailand, Spain, Brazil, and Vietnam)

8120-1689 Power cord (Mint Gray) - 17 AWG, 2.0m (6.6ft) long - Has straight (F) receptacle (For 220V in Europe, Bangladesh, Indonesia, Pakistan, Burma, Sri Lanka, and Vietnam)

8120-2104 Power cord (Mint Gray) - 2.0m (6.6ft) long - Has straight (F) receptacle (For 220V in Switzerland)

8120-2956 Power cord (Mint Gray) - 2.0m (6.6ft) long - Has straight (F) receptacle (For 220V in Denmark)

Other Accessories

CD-ROM (Support)

C7769-90066 DesignJet support CD ROM - Version A.04.01 - Has product information, user's manuals, service manuals, diagnostic software, test drawings, newsletters, and service notes

C7769-90221 DesignJet 500/800 series interactive support CD-ROM

Cartridge

C4844-60053 No. 10 High Capacity Black Ink Cartridge (Holds 69ml of Ink)

C4844A No. 10 high capacity Black ink cartridge (holds 69ml of ink) - Prints approximately 1400 pages at 5% printing density (USA)

C4844AA No.10 high capacity Black ink cartridge (holds 69ml of ink) - Prints approximately 1400 pages at 5% printing density (for Asia/Pacific)

C4844AE No.10 high capacity Black ink cartridge (holds 69ml of ink) - Prints approximately 1400 pages at 5% printing density (for Europe)



Other Accessories

Cartridge

C4844AL	No.10 high capacity Black ink cartridge (holds 69ml of ink) - Prints approximately 1400 pages at 5% printing density (for Latin America)
C4911-61002	No.82 standard capacity cyan ink cartridge (69ml)
C4911A	No.82 standard capacity cyan ink cartridge (69ml ink)
C4912-61003	No.82 standard capacity magenta ink cartridge (69ml)
C4912A	No.82 standard capacity magenta ink cartridge (69ml ink)
C4913-61003	No.82 standard capacity yellow ink cartridge (69ml)
C4913A	No.82 standard capacity yellow ink cartridge (69ml)

Lubricant

6040-0854	Synthetic Oil (1/2oz Plastic Bottle - for lubricating the front and rear slider rods)
-----------	---

Printhead

C4810-60066	No. 11 Black Ink Printhead
C4810A	No. 11 Black ink printhead
C4810-60067	No.11 cyan ink printhead
C4811A	No. 11 Cyan ink printhead
C4812-60005	No.11 magenta ink printhead
C4812A	No. 11 Magenta ink printhead
C4813-60004	No.11 yellow ink printhead
C4813A	No. 11 Yellow ink printhead

Return Kit

5183-5269	Return kit with box and instructions - For returning defective TIJ 3.0 printheads covered under the CREW program
-----------	--

Other External Parts

Cover

89	C7769-60158	Left end cover and EIO cover (Gray)
90	C7769-60159	Right end cover (Gray)
	C7770-60154	Top cover assembly (Gray)

Deflector Kit

92	C7769-60283	Media deflector kit - Kit includes 3 deflectors - Installed in front of pinch-wheels - Kit Includes 3 Deflectors
----	-------------	--

Overlay

93	C7769-60111	Front panel overlay (English)
94	C7769-60112	Front panel overlay (Korean)
95	C7769-60113	Front panel overlay (Taiwanese)
96	C7769-60114	Front panel overlay (German)
97	C7769-60115	Front panel overlay (French)
98	C7769-60116	Front panel overlay (Spanish)
99	C7769-60117	Front panel overlay (Italian)
100	C7769-60118	Front panel overlay (Japanese)
101	C7769-60119	Front panel overlay (Portuguese)
102	C7769-60120	Front panel overlay (Chinese)

Platen

103	C7769-60174	Front Platen Kit - Includes platens for both the 24 inch and the 42 inch models
104	C7770-60155	Back Platen Assembly - Curved cover/guide that is installed below the paper drive roller (42-inch)



Other External Parts

Trim Kit

- 105 C7769-60160 Trim kit - Installed between the main printer chassis and the left or right end covers (4 items in kit)

Other Internal Parts

Bracket

- 106 C7769-60156 Service Station Bracket - Installed on right-side of service station

Cover

- 107 C7769-60171 Cover kit for drive roller encoder sensor

Ink Supply Station

- 108 C7769-60148 Ink Supply Station (ISS) - Includes ink pump motor, pump sensor, and out-of-ink sensors

Ink Tubes Assembly

- C7770-60251 Ink tubes assembly - Includes 4 ink tubes complete with hardware assemblies at both ends (Carriage crane and ink supply station crane), and 4 setup pens

Printhead

- 110 C7769-60164 Setup Printhead kit - Used to prime the ink tubes - Includes 4 setup printheads

Service Station

- 111 C7769-60149 Service station - Includes wipers, pen caps, and the right hand spittoon - Installed in Right Side of Printer

Spittoon

- 112 C7769-60165 Left spittoon assembly - Contains absorbers which hold excess ink from printheads

Paper Drive Parts

Gear Assembly

- 197 C7769-60177 Paper drive transmission gear kit - Includes 2 gears used to drive the paper drive roller

Lifter

- C7770-60015 Pincharm lift mechanism - Includes cam (a long bar) , cam bushings, pinch arm lever, pinch arm lever bushing

Motor

- 199 C7769-60152 Paper axis motor assembly - Includes cables

Pincharm

- 200 C7769-60175 Pincharm assembly with wheels

Roller

- 201 C7770-60260 Paper drive roller kit - Includes roller assembly, bushings, gear on roller, transmission gear kit, encoder disc, end thrust (Axial) spring, lint free cloth, rubber glove, and instruction sheets - For 42-inch model

Paper and Other Media

Canvas

- Q1718A Canvas Paper (140 gsm) - 91.4cm (36in) x 10.7m (35ft) (USA)
Q1724A Canvas Paper (180 gsm) - 91.4cm (36in) x 10.7m (35ft) (USA)
C6771A Studio canvas (368 gsm) - 91.4cm (36in) x 10.7m (35ft) roll - For regular ink or UV resistant ink

Film (Clear)

- C3876A Clear film (4 mil) - 61cm (24in) x 22.9m (75ft) roll
C3875A Clear film (4 mil) - 91.4cm (36in) x 22.9m (75ft) roll

Film (Matte)

- C7909A Double Matte Eraseable Film - 61cm (24in) x 38.1m (125ft) (USA)
Q1736A Polyester Film White Matte - 91.4cm (36in) x 15.2m (50ft) (USA)
51642A Polyester matte film - 61cm (24in) x 36.6m (120ft) roll
51642B Polyester matte film - 91.4cm (36in) x 36.6m (120ft) roll



Paper and Other Media

Paper

C7923A	Basic Heavyweight Paper - 61cm (24in) x 30.5m (100ft) (USA and Asia/Pacific)
C7924A	Basic Heavyweight Paper - 91.4cm (36in) x 30.5m (100ft) (USA and Asia/Pacific)
C7925A	Basic Heavyweight Paper - 106.7cm (42in) x 30.5m (100ft) (USA and Asia/Pacific)
C7929A	Super Heavyweight Paper - 61cm (24in) x 22.9m (75ft) (USA and Asia/Pacific)
C7930A	Super Heavyweight Paper - 91.4cm (36in) x 22.9m (75ft) (USA and Asia/Pacific)
C7931A	Super Heavyweight Paper - 106.7cm (42in) x 22.9m (75ft) (USA)
Q1703A	Fine Art Aquarella paper - 91.4cm (36in) x 10.7m (35ft) roll (USA)
Q1706A	Fine Art Vanilla paper - 91.4cm (36in) x 10.7m (35ft) (USA)
Q1709A	Fine Art Cream paper - 91.4cm (36in) x 10.7m (35ft) roll (USA)
Q1712A	Fine Art Ice Blue paper - 91.4cm (36in) x 10.7m (35ft) (USA)
Q1715A	Fine Art Sahara paper - 91.4cm (36in) x 10.7m (35ft) roll (USA)
Q1721A	Embossed Paper (140 gsm) - 91.4cm (36in) x 10.7m (35ft) (USA)
Q1733A	Indoor Self Adhesive Paper - 91.4cm (36in) x 22.9m (75ft) (USA)
Q1739A	Heat Transfer Paper - 91.4cm (36in) x 30.5m (100ft) (USA)
Q1909A	Polypropylene Adhesive Back print media - 106.7cm (42in) x 21.3m (70ft)

Paper (Banner)

C6786A	Banner paper with Tyvek (140 gsm) - UV ink only - 61cm (24in) x 15.2m (50ft) roll NO LONGER SUPPLIED
C6787A	Banner paper with Tyvek (140 gsm) - UV ink only - 91.4cm (36in) x 15.2m (50ft) roll

Paper (Bright White)

C1860A	Bright white InkJet paper - 61cm (24in) x 45.7m (150ft) roll
C1861A	Bright white InkJet paper - 91.4cm (36in) x 45.7m (150ft) roll
C6810A	Bright white InkJet paper - 91.4cm (36in) x 91.4m (300ft) roll

Paper (Coated)

C8281A	Basic Coated Paper - 61cm (24in) x 45.7m (150ft) (USA and Asia/Pacific)
C8282A	Basic Coated Paper - 91.4cm (36in) x 45.7m (150ft) roll (USA and Asia/Pacific)
Q1412A	Universal Heavyweight Coated paper - 61cm (24in) x 30.5m (100ft)
Q1413A	Universal Heavyweight Coated Paper - 91.4cm (36in) x 30.5m (100ft)
C6019B	Coated paper (98 gsm) - 61cm (24in) x 45.7m (150ft) roll (USA, Canada, and Latin America)
C6021B	Heavyweight coated paper - 61cm (24in) x 30.5m (100ft) roll (USA, Canada, and Latin America) NO LONGER SUPPLIED
C6029C	Heavyweight coated paper - 61cm (24in) x 30.5m (100ft) roll - For regular or UV resistant ink
C6020B	Coated paper (98 gsm) - 91.4cm (36in) x 45.7m (150ft) roll (USA, Canada, and Latin America)
C6022B	Heavyweight coated paper - 91.4cm (36in) x 30.5m (100ft) roll (USA, Canada, and Latin America) NO LONGER SUPPLIED
C6030C	Heavyweight coated paper - 91.4cm (36in) x 30.5m (100ft) roll - For regular or UV resistant ink
C6980A	Coated paper (98 gsm) - 91.4cm (36in) x 91.4m (300ft) roll (USA, Canada, and Latin America)
C6559B	Coated paper (98 gsm) - 106.7cm (42in) x 45.7m (150ft) roll (USA, Canada, and Latin America)
C6561B	Heavyweight coated paper - 106.7cm (42in) x 30.5m (100ft) roll (USA, Canada, and Latin America) NO LONGER SUPPLIED
C6569C	Heavyweight coated paper - 106.7cm (42in) x 30.5m (100ft) roll - For regular or UV resistant ink

Paper (Fabric)

Q1918A	Viscose Paper-Back Fabric print media - 91.4cm (36in) x 10.1m (33ft)
Q1919A	Viscose Paper-Back Fabric print media - 106.7cm (42in) x 10.1m (33ft)



Paper and Other Media

Paper (Glossy)

C8315A	High Gloss Photo Paper - 61cm (24in) x 30.5m (100ft) (USA and Asia/Pacific)
C8316A	High Gloss Photo Paper - 91.4cm (36in) x 30.5m (100ft) (USA and Asia/Pacific)
Q1426A	Universal High-Gloss Photo Paper - 61cm (24in) x 30.5m (100ft)
Q1427A	Universal High-Gloss Photo Paper - 91.4cm (36in) x 30.5m (100ft)
Q1428A	Universal High-Gloss Photo Paper - 106.7cm (42in) x 30.5m (100ft)
Q1430A	Universal High-Gloss Photo Paper - 152.4cm (60in) x 30.5m (100ft)
C3882A	High gloss photo paper - 61cm (24in) x 30.5m (100ft) roll
C6025A	High gloss photo paper - 61cm (24in) x 30.5m (100ft) roll (USA, Canada, and Latin America)
C3881A	High gloss photo paper - 91.4cm (36in) x 30.5m (100ft) roll
C6026A	High gloss photo paper - 91.4cm (36in) x 30.5m (100ft) roll (USA, Canada, and Latin America)
C6814A	High gloss photo paper - 91.4cm (36in) x 30.5m (100ft) roll
C6565A	High gloss photo paper - 106.7cm (42in) x 30.5m (100ft) roll (USA, Canada, and Latin America)

Paper (Photo)

C6813A	High gloss photo paper - 61cm (24in) x 30.5m (100ft) roll
C7946A	Photo Paper RC Matte - 91.4cm (36in) x 30.5m (100ft) (USA)
C8310A	Basic Photo Satin paper - 61cm (24in) x 30.5m (100ft) (USA and Asia/Pacific)
C8311A	Basic Photo Satin paper - 91.4cm (36in) x 30.5m (100ft) (USA and Asia/Pacific)
C8312A	Basic Photo Satin paper - 106.7cm (42in) x 30.5m (100ft) (USA)
C8317A	High Gloss Photo Paper - 106.7cm (42in) x 30.5m (100ft) (US and Asia/Pacific)
Q1420A	Semi-Gloss Photo Paper - 61cm (24in) x 30.5m (100ft)
Q1421A	Semi-Gloss Photo Paper - 91.4cm (36in) x 30.5m (100ft)
Q1422A	Semi-Gloss Photo Paper - 106.7cm (42in) x 30.5m (100ft)

Paper (Poster)

C7949A	Outdoor Billboard Paper - Blue back - 91.4cm (36in) x 30.5m (100ft) (USA)
C7011A	Satin poster paper (162 gsm) - 91.4cm (36in) x 30.5m (100ft) roll NO LONGER SUPPLIED

Paper (Satin)

C7879A	Satin Poster Paper - 91.4cm (36in) x 4.6m (15ft)
C7952A	Proofing Paper RC Satin - 91.4cm (36in) x 30.5m (100ft) (USA)

Paper (Semi-Glossy)

C6023A	Semi-gloss photo paper - 61cm (24in) x 30.5m (100ft) roll (USA, Canada, and Latin America)
C6024A	Semi-gloss photo paper - 91.4cm (36in) x 30.5m (100ft) roll (USA, Canada, and Latin America)
C6563A	Semi-gloss photo paper - 106.7cm (42in) x 30.5m (100ft) roll (USA, Canada, and Latin America)
C3884A	Semi-gloss photo paper - 61cm (24in) x 30.5m (100ft) roll NO LONGER SUPPLIED
C6782A	Paper based semi-gloss media - 61cm (24in) x 30.5m (100ft) roll NO LONGER SUPPLIED
C3883A	Semi-gloss photo paper - 91.4cm (36in) x 30.5m (100ft) roll
C6783A	Paper based semi-gloss media - 91.4cm (36in) x 30.5m (100ft) roll NO LONGER SUPPLIED

Paper (Tracing)

C3869A	Natural tracing paper - 61cm (24in) x 45.7m (150ft) roll
C3868A	Natural tracing paper - 91.4cm (36in) x 45.7m (150ft) roll



Paper and Other Media

Paper (Translucent)

- C3860A Translucent bond paper - 61cm (24in) x 45.7m (150ft) roll
- C3859A Translucent bond paper - 91.4cm (36in) x 45.7m (150ft) roll

Vellum

- C3862A Vellum - 61cm (24in) x 45.7m (150ft) roll
- C3861A Vellum - 91.4cm (36in) x 45.7m (150ft) roll

Vinyl (Adhesive)

- C6775A Colorfast adhesive vinyl (328 gsm) - 91.4cm (36in) x 12.2m (40ft) roll - For regular ink or UV-resistant ink

Roll Feed Assembly Parts

Mount Kit

- 202 C7769-60162 Rollfeed mount kit - Includes left and right housing

Spindle Kit

- C2390A 42-inch rollfeed spindle rod assembly for DesignJet 500/800 series - Includes spindle, hubs, and end caps
- C7769-60243 42-inch rollfeed spindle rod assembly - Includes spindle, hubs, and end caps

Stand Parts

Bin

- C7770-60023 Media bin (Flint gray) - Plastic tray that mounts to the printer stand legs
- C7770-60148 *New Part for C7770-60023*

Brace

- C7770-60031 Foot brace

Cross-Brace

- C7770-60020 Cross-brace - Main structure that extends between stand legs

Foot

- 208 C7770-60022 Foot assembly (includes casters)

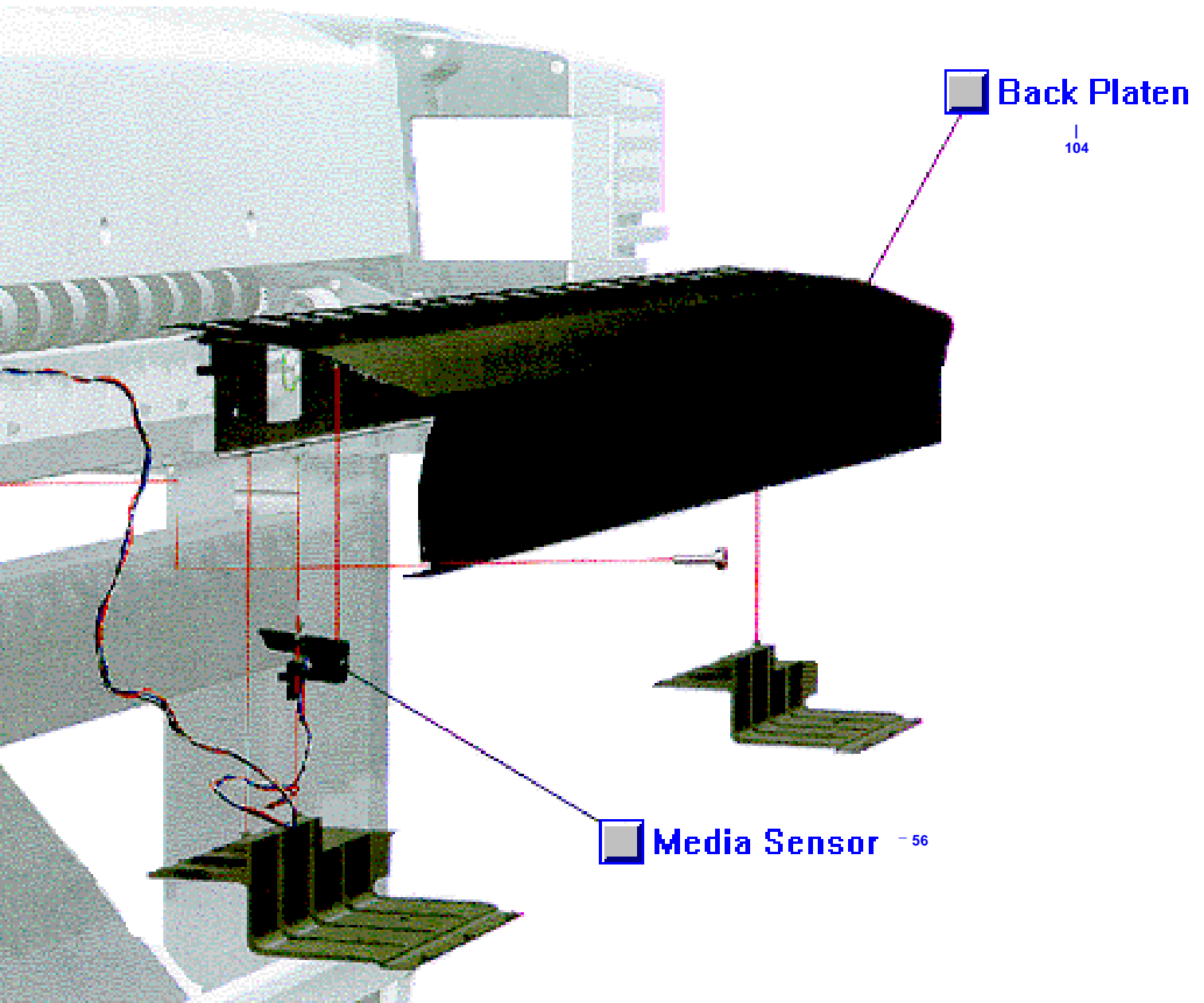
Hardware Kit

- 209 C7770-60018 Hardware kit for printer stand - Includes screwdriver and screws

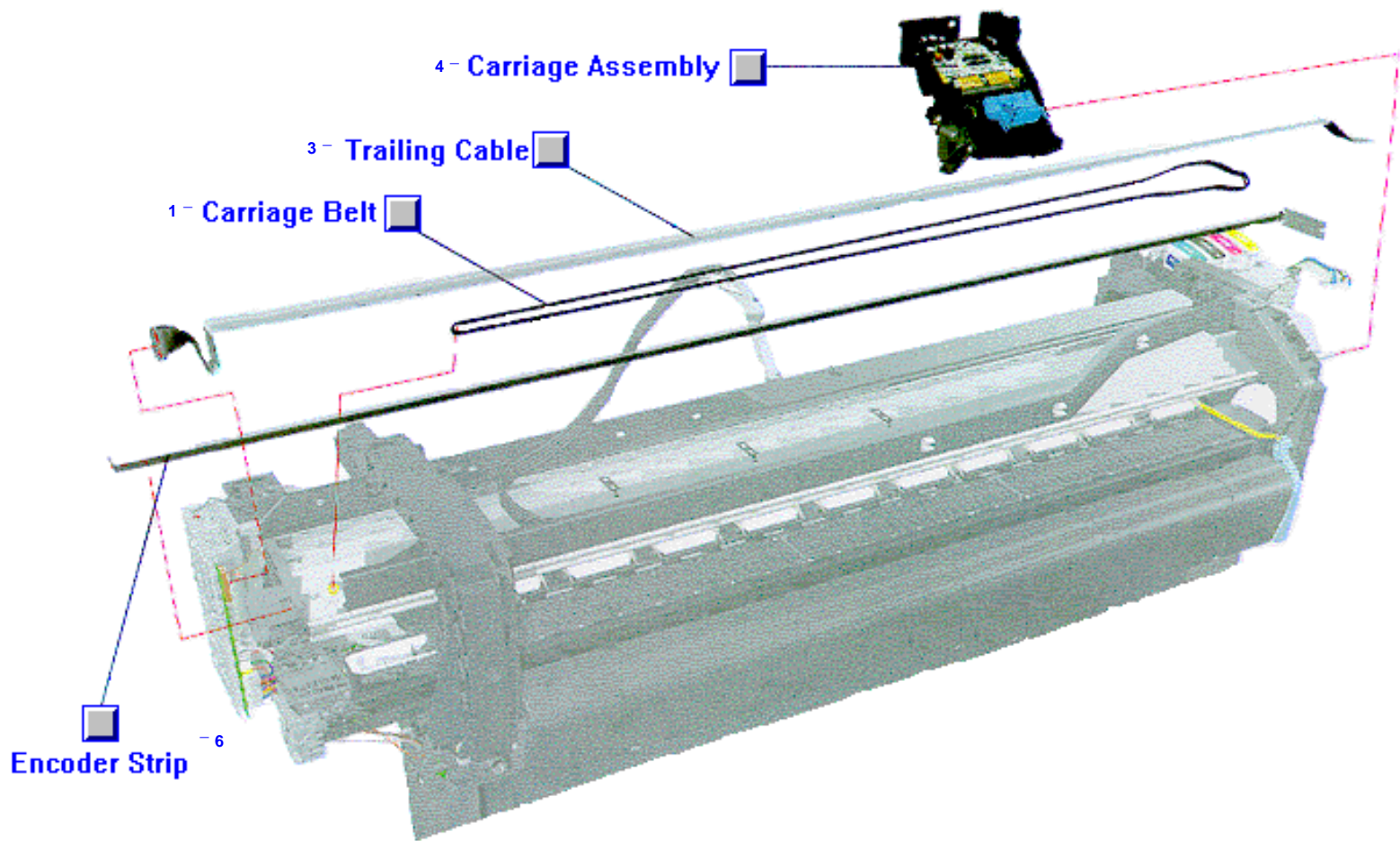
Leg

- 210 C7770-60021 Leg assembly - Side support for the printer - Does NOT include the foot assembly

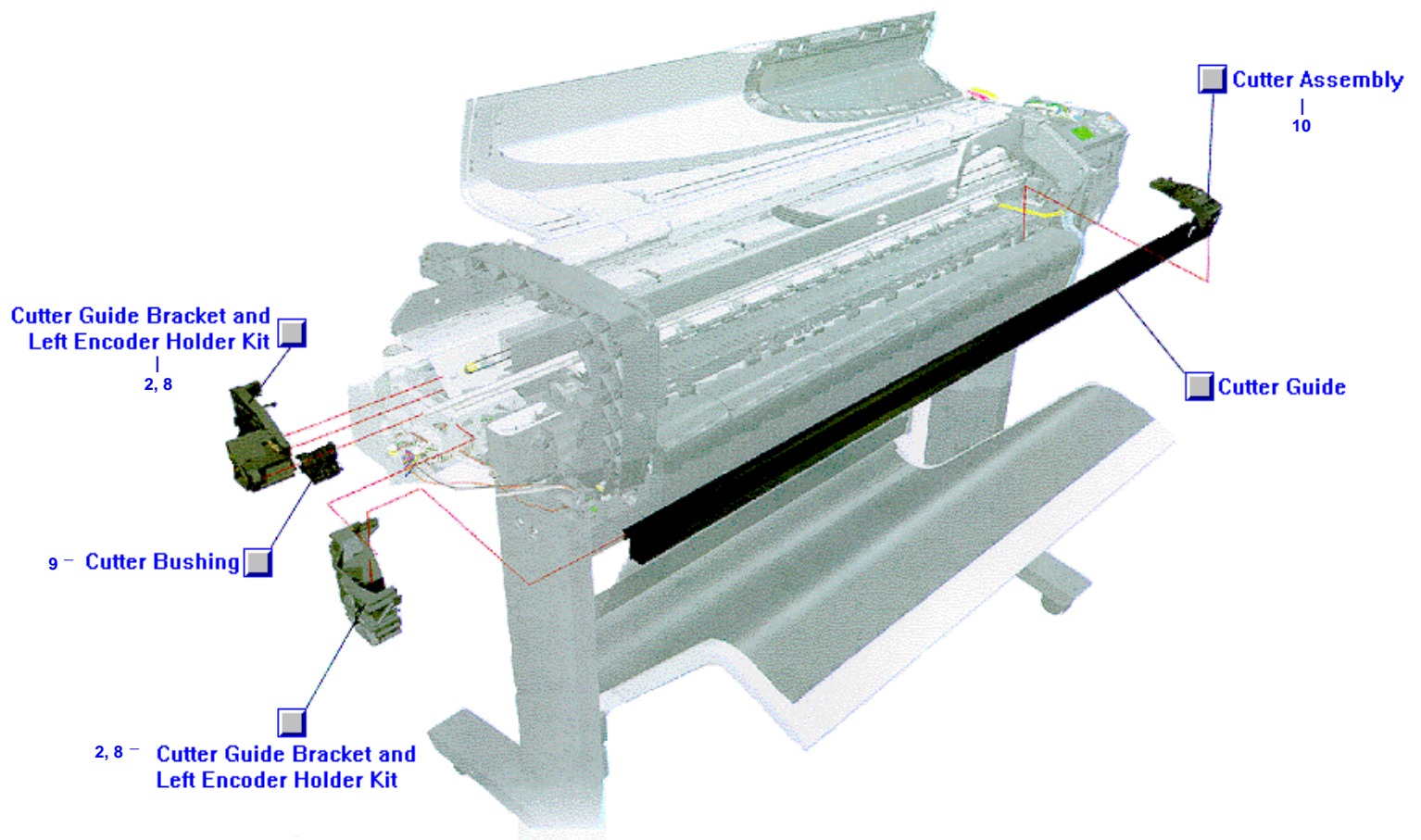
Back Platen and Media Sensor



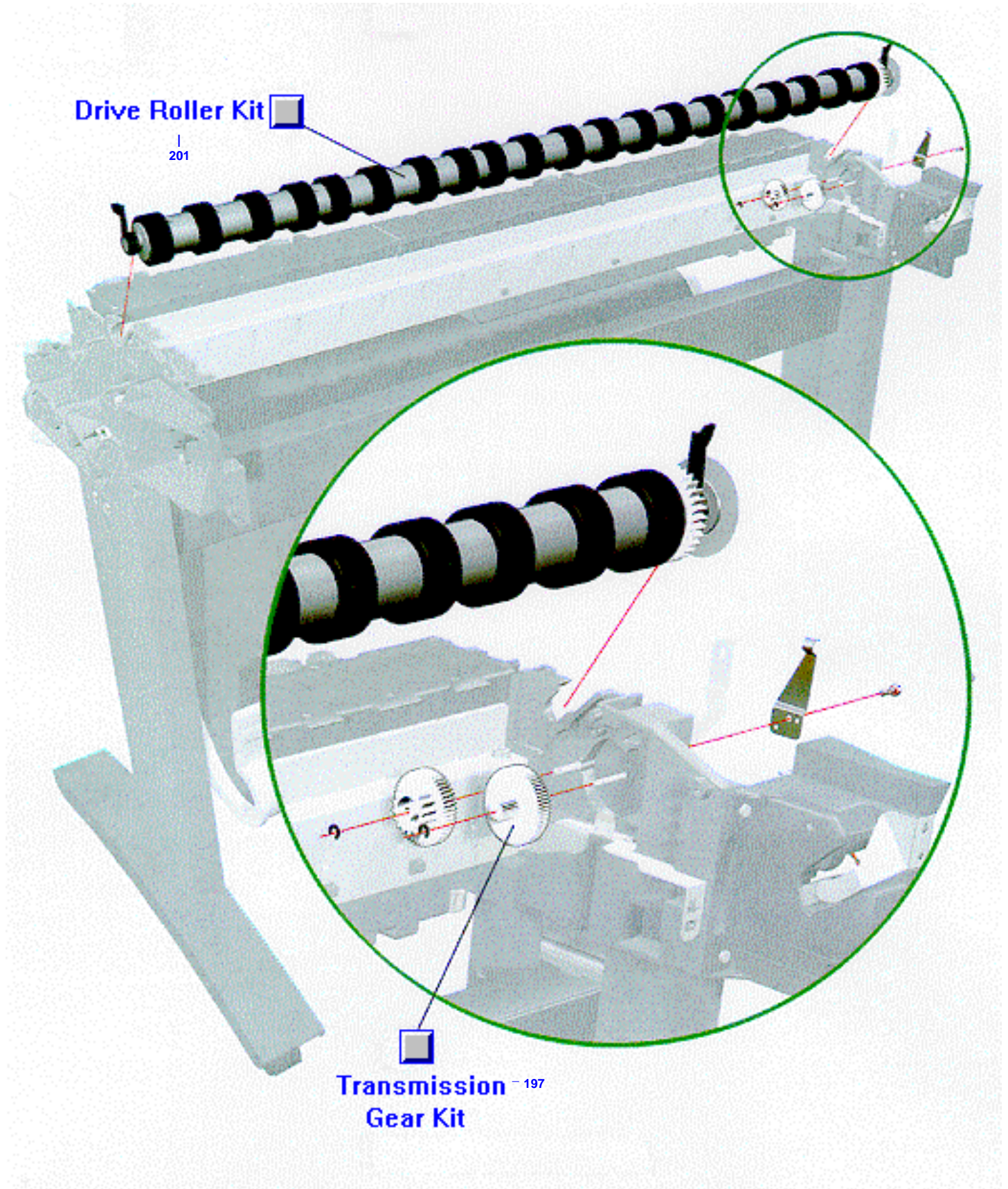
Carriage, Trailing Cable, Belt, Encoder Strip



Cutter



Drive Roller and Transmission Gears



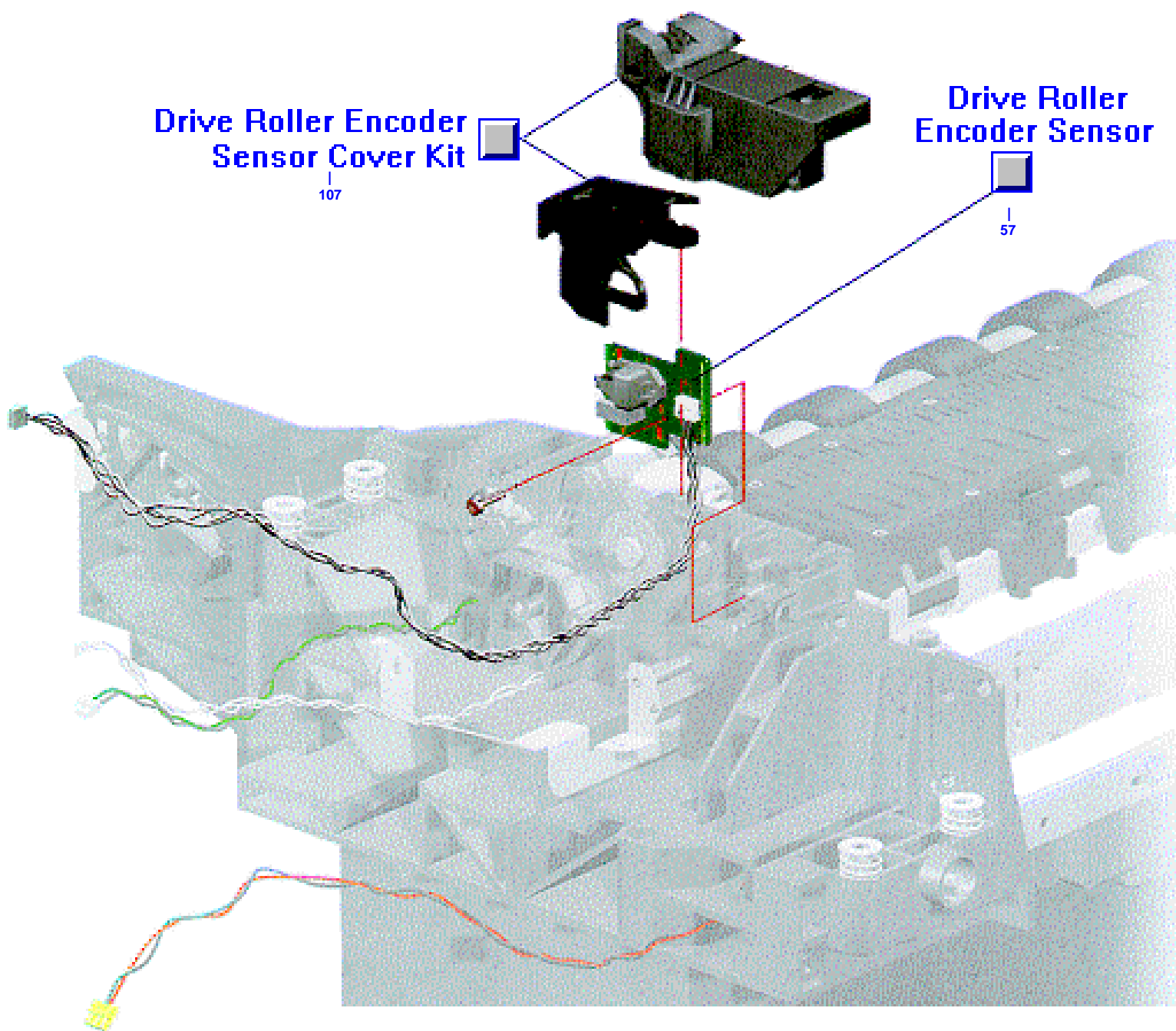
Drive Roller Encoder Sensor

Drive Roller Encoder
Sensor Cover Kit

107


Drive Roller
Encoder Sensor

57



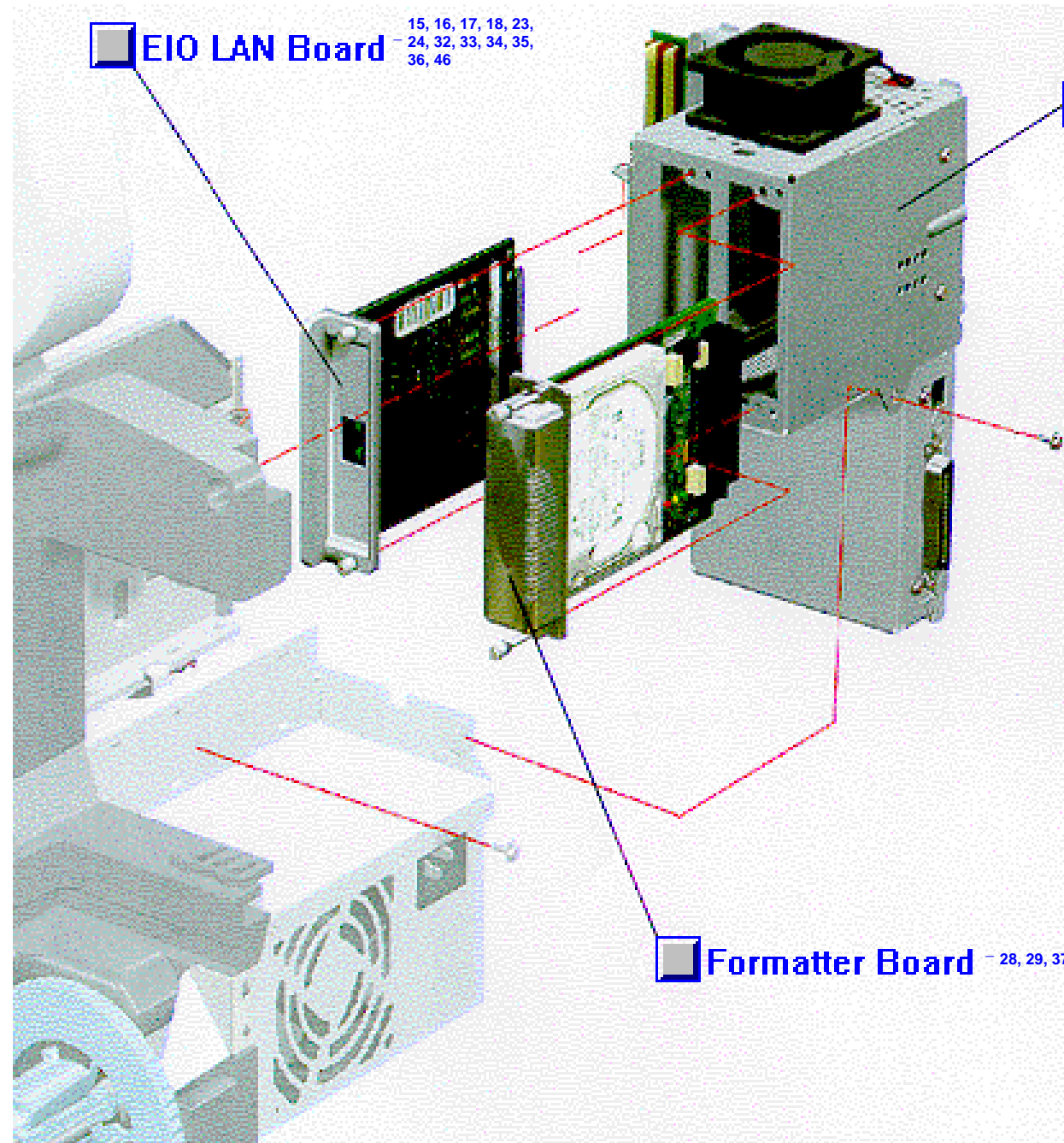
Electronics Module and Plugin Cards

 **EIO LAN Board** - 15, 16, 17, 18, 23,
24, 32, 33, 34, 35,
36, 46

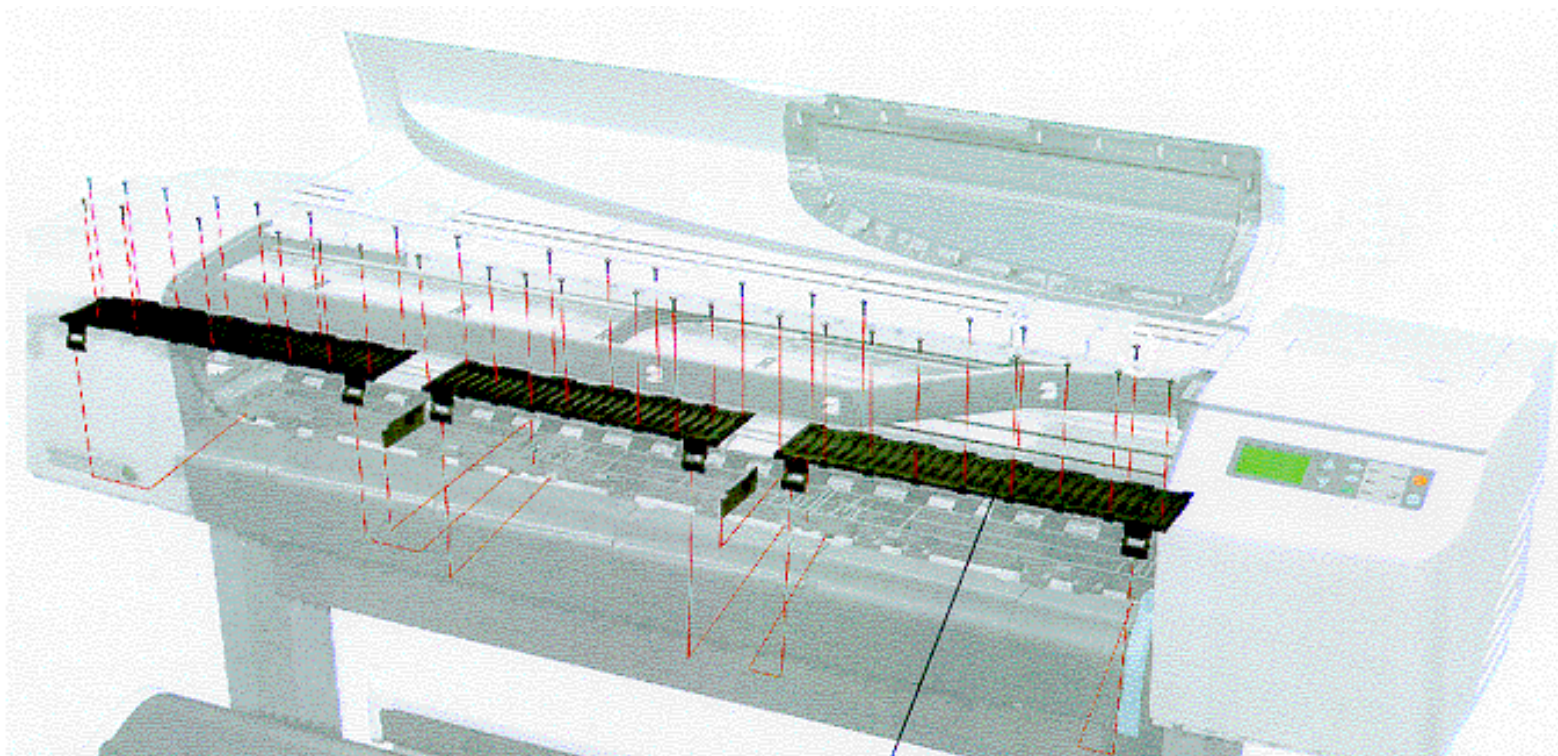
 **Electronics Module**

|
43

 **Formatter Board** - 28, 29, 37, 41, 42, 45

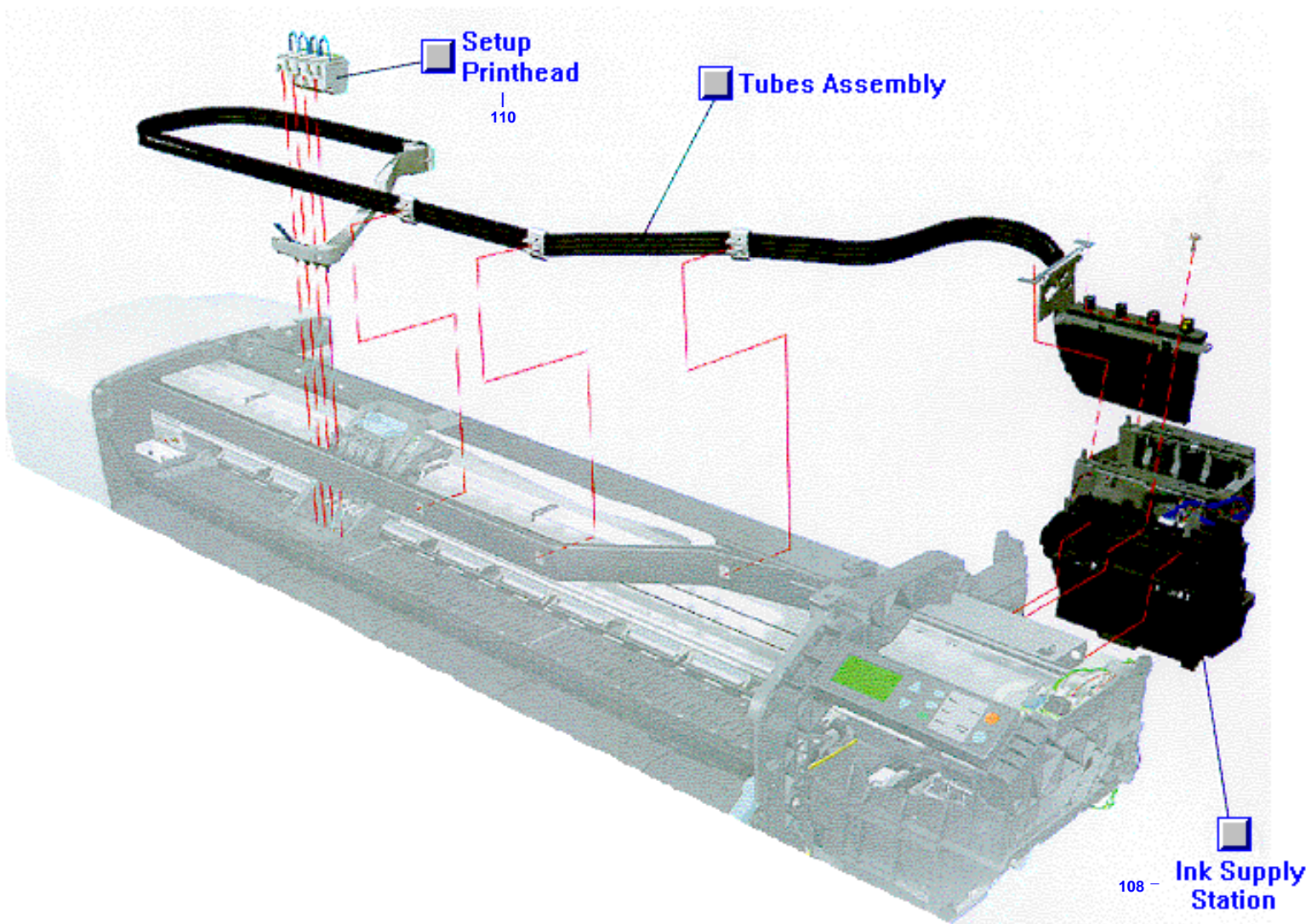


Front Platen

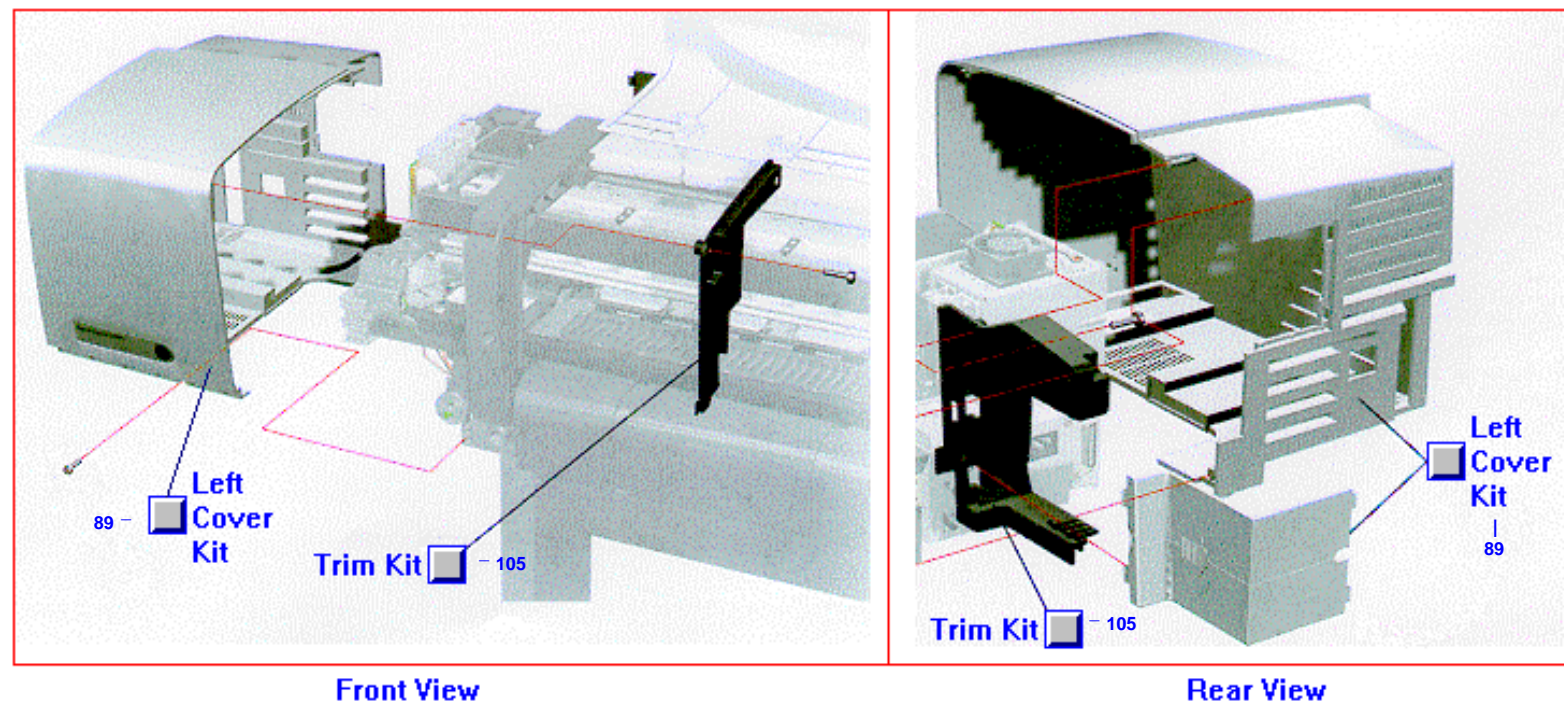


**Front (Print)
Platen Kit** - 103

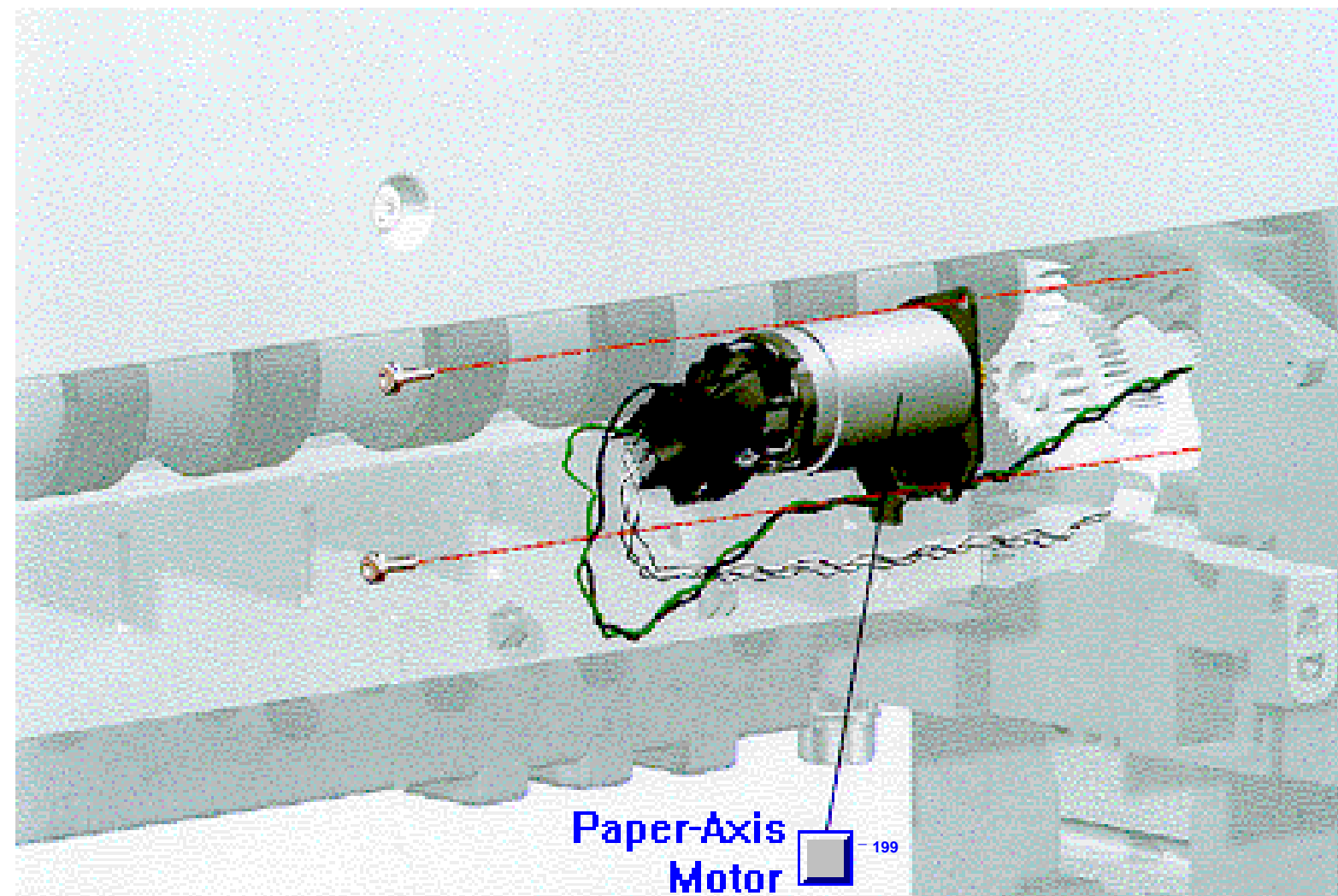
Ink Tubes and Ink Supply Station



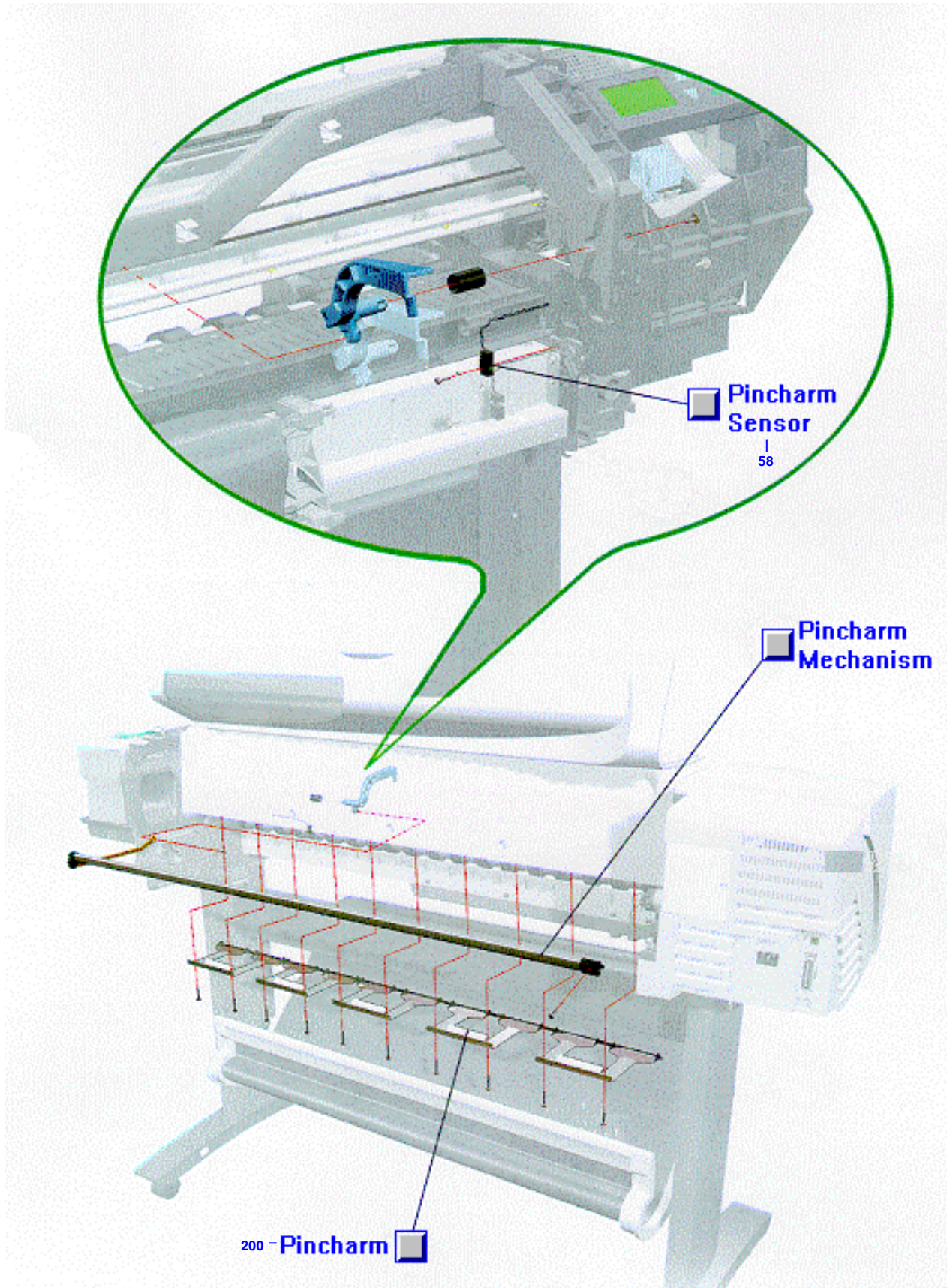
Left Cover



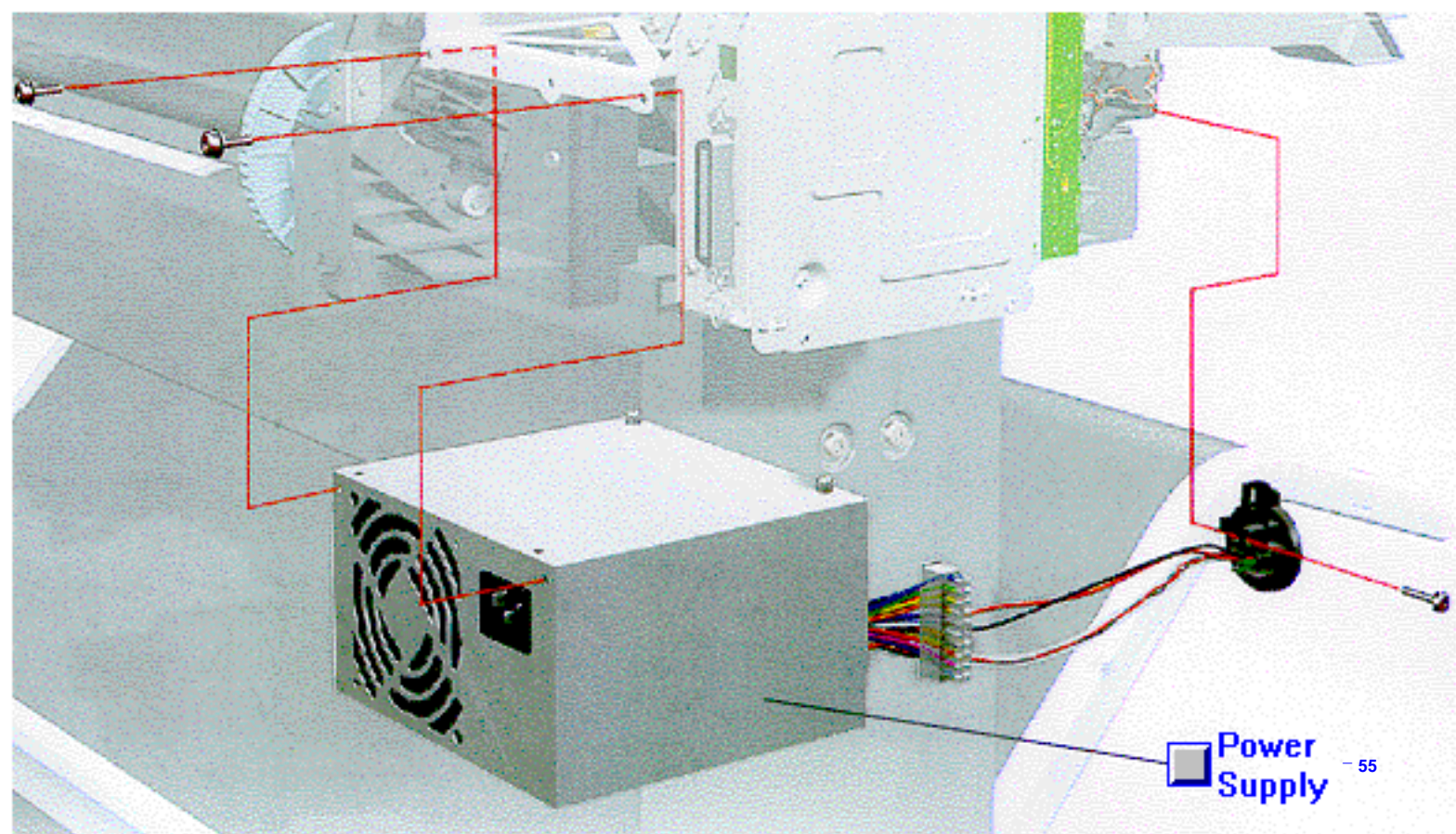
Paper-Axis Motor



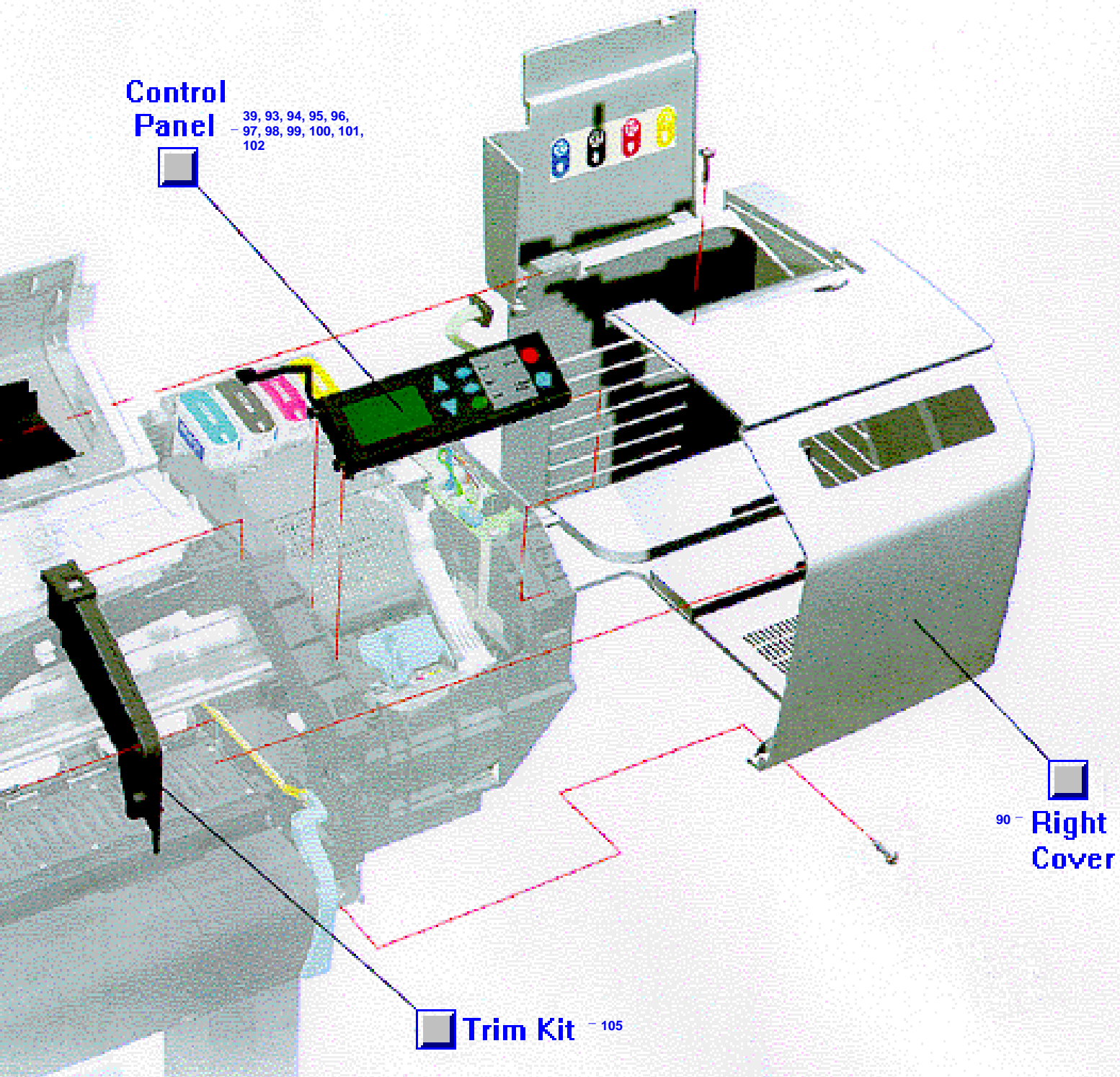
Pinchwheels and Pincharms



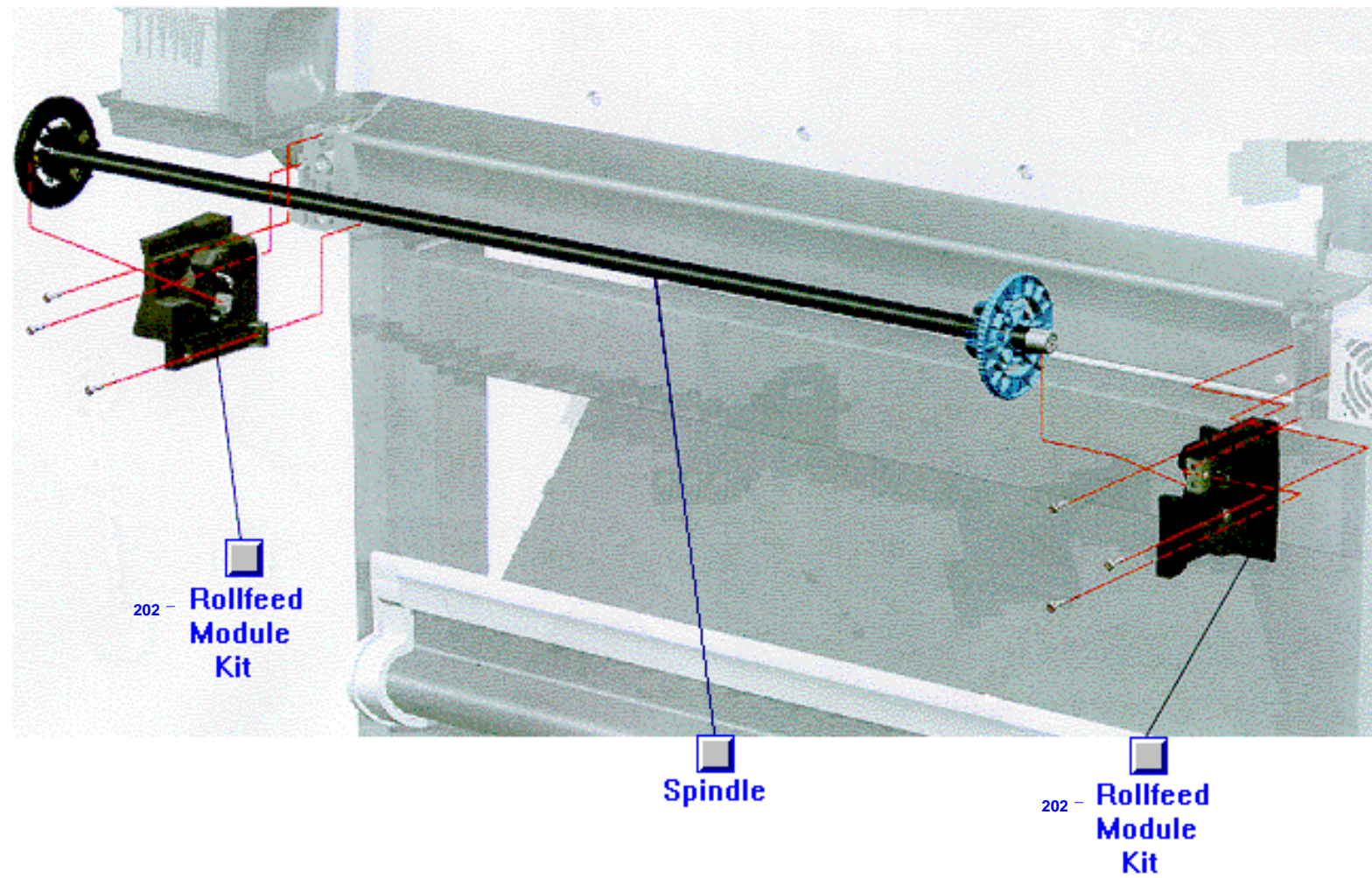
Power Supply and Power Switch



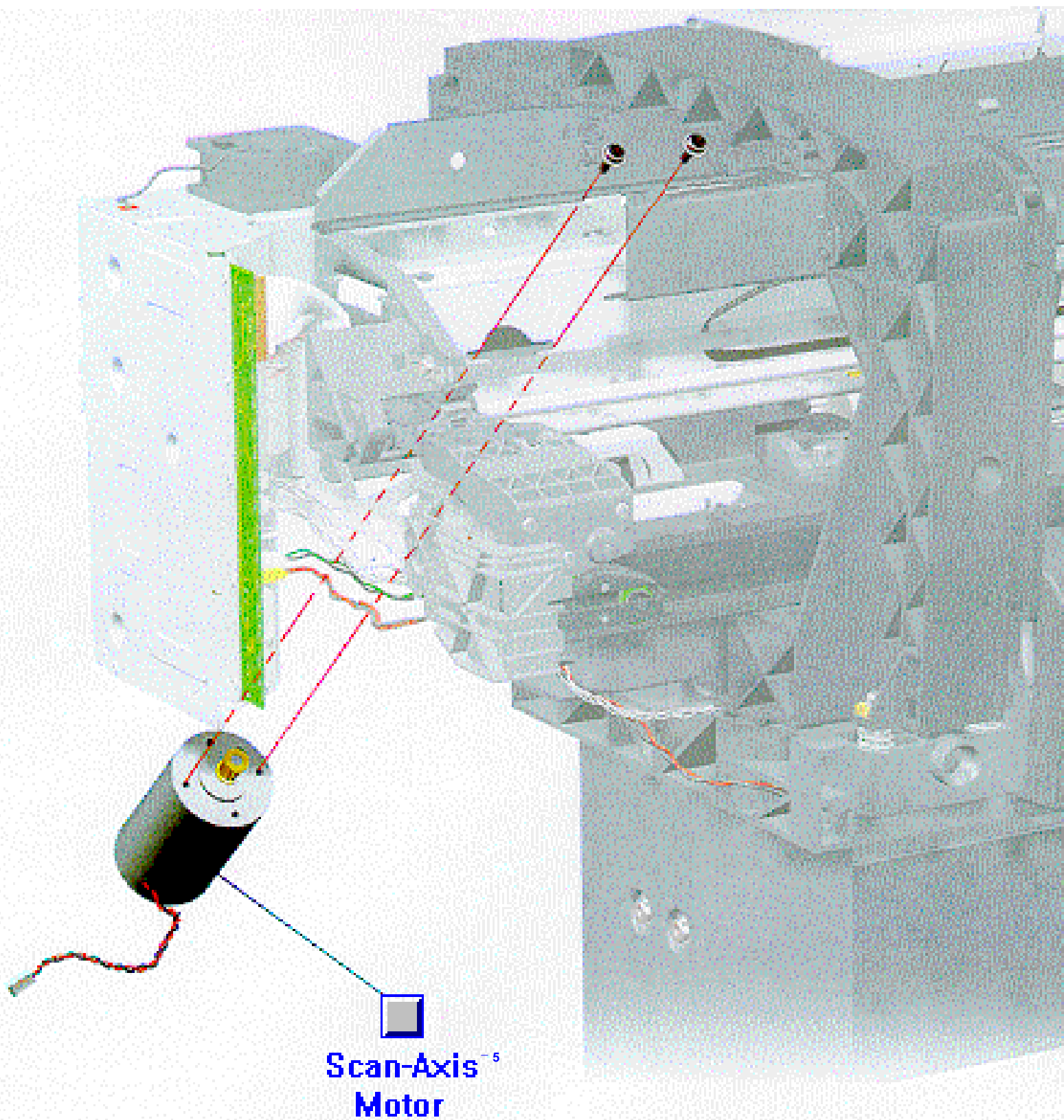
Right Cover and Control Panel



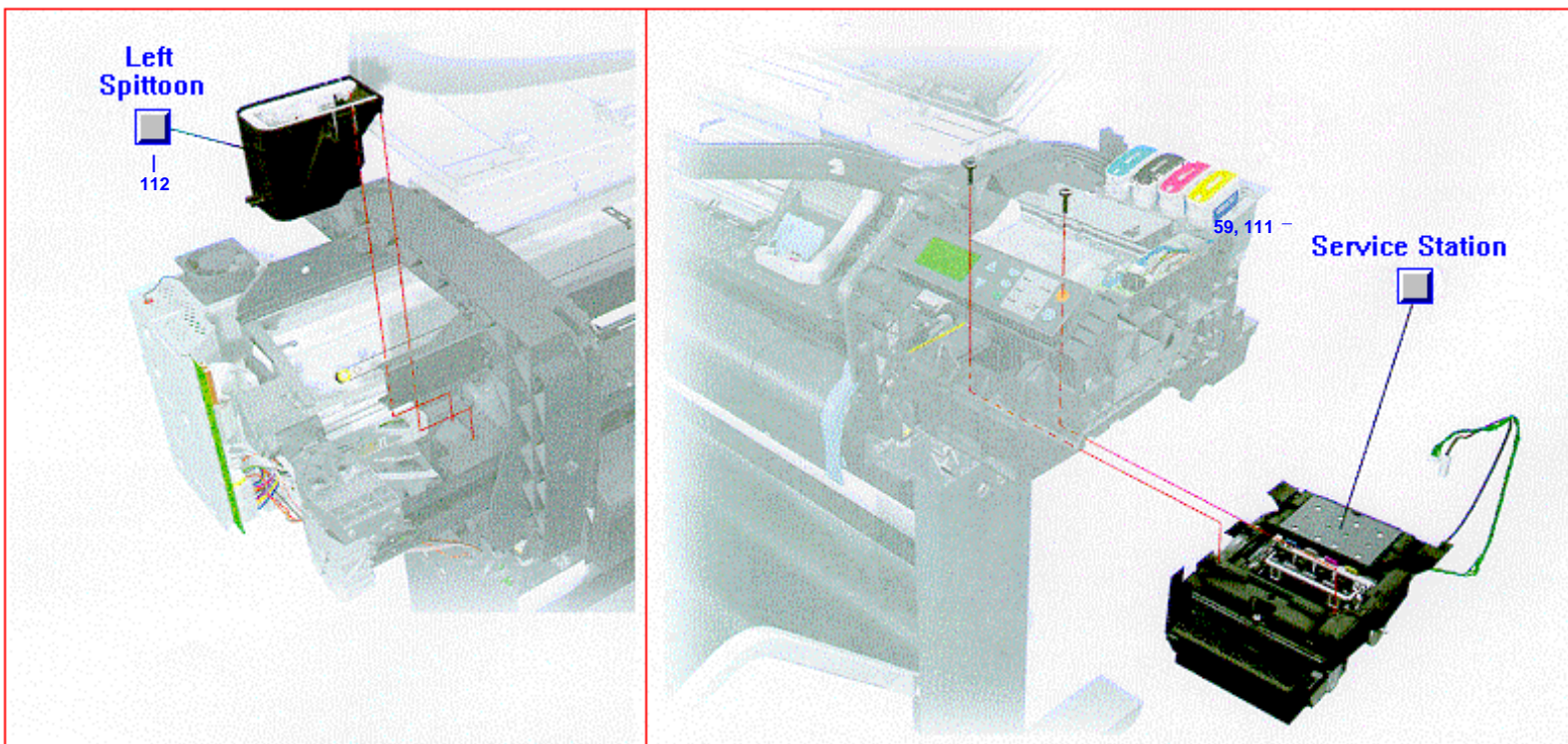
Rollfeed and Spindle



Scan-Axis Motor



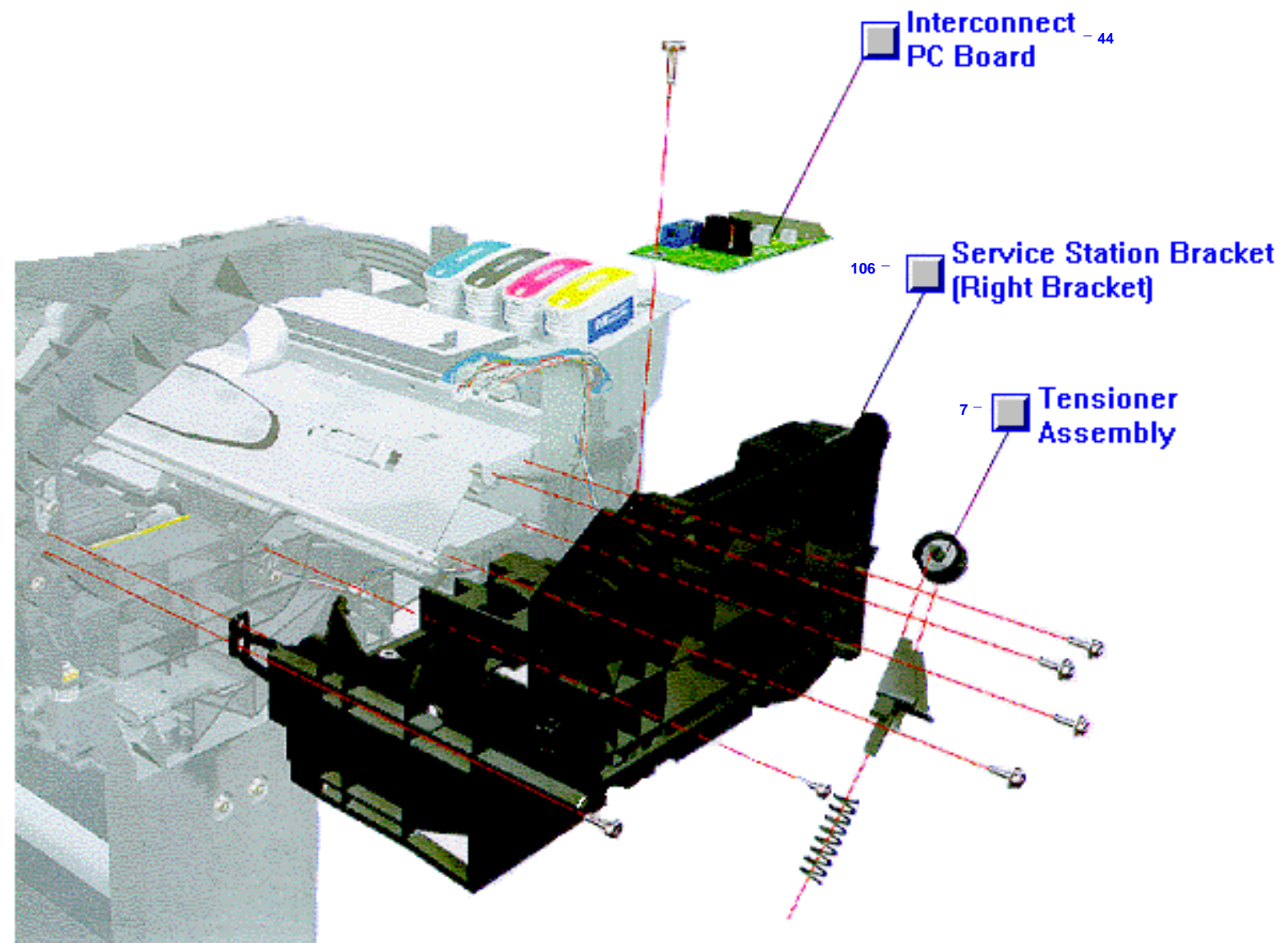
Service Station and Left Spittoon



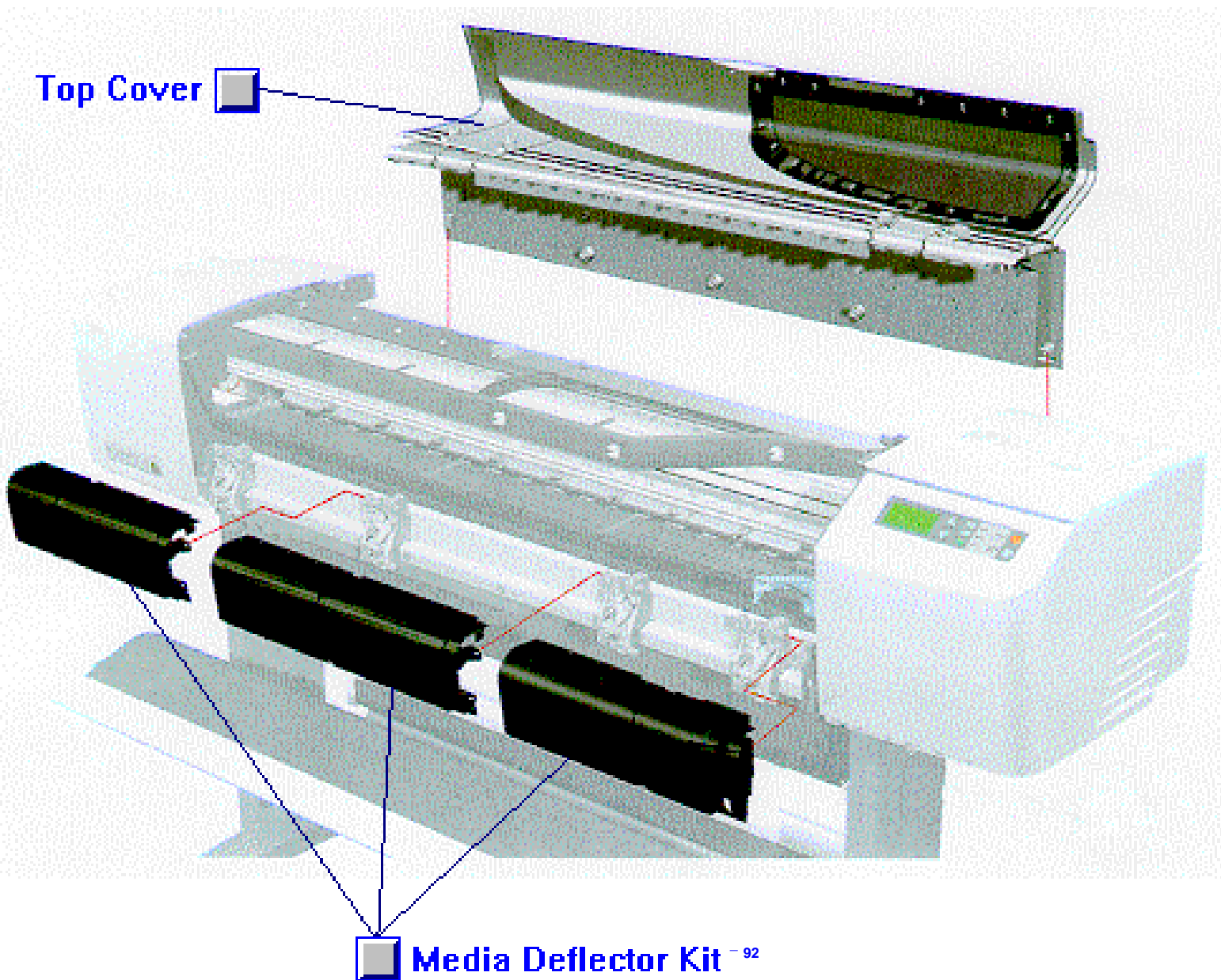
Left Side

Right Side

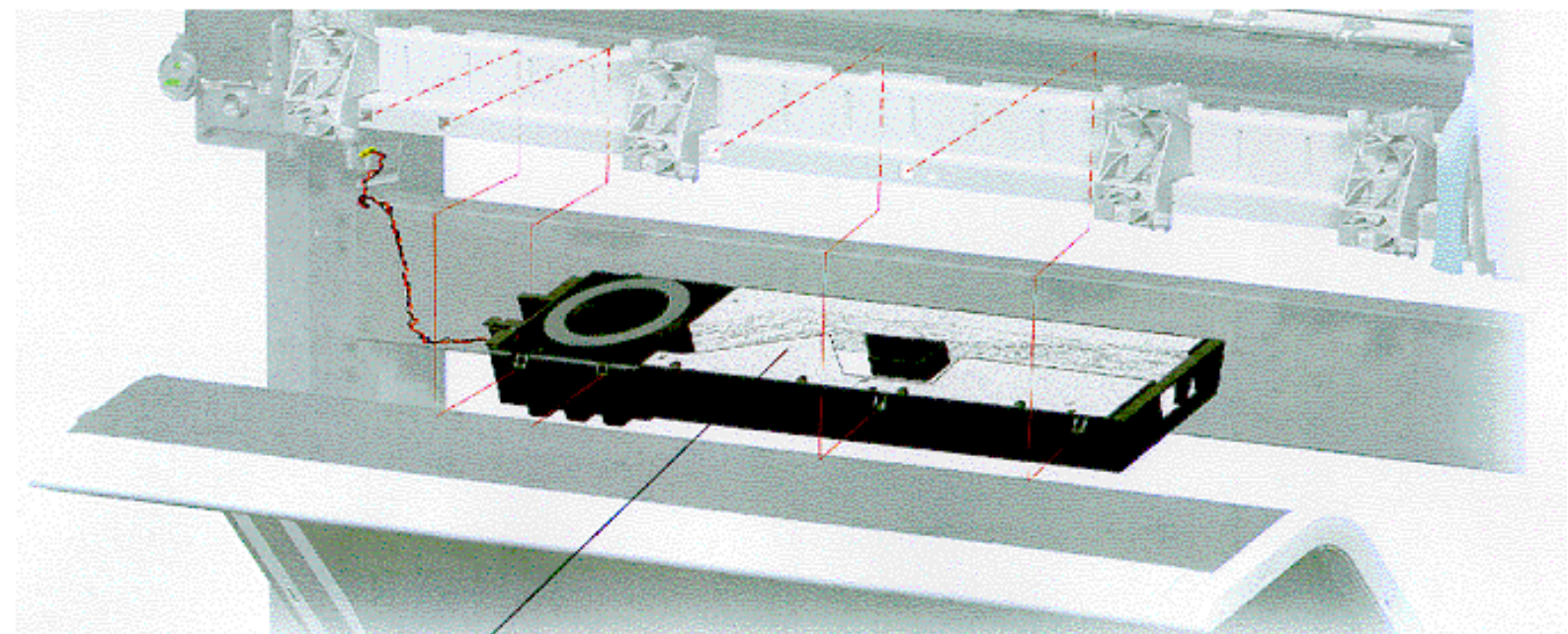
Service Station Holder and Belt Tensioner



Top Cover and Media Deflectors



Vacuum Fan



40 -  Vacuum Fan



HP Parts Reference Guide

<http://www.hp.com/go/parts>

HP PartSurfer

<http://partsurfer.hp.com>

HP Parts Ordering Information

<http://www.hp.com/go/hpparts>

HP Parts Questions/Comments

<http://partsurfer.hp.com/contactus.htm>