

Parts and Diagrams

7

Printer

Printer Support 7-2
Center Covers 7-4
Electronics Module 7-6
Right Hand Cover 7-8
Left Hand Cover 7-10
Right Hand Assemblies 7-12
Left Hand Assemblies 7-14
Carriage Assembly 7-16
Scan-Axis Assemblies 7-18
Drive Roller and Media-Axis Motor 7-20
Paper Path Assemblies 7-22
Pinchwheel Assembly 7-24
Rear Path Assembly 7-26
Roll 1 Module (Front Path) 7-28
Roll 1 Drawer Assembly 7-30
Roll 2 Module 7-32
Roll 2 Drawer Assembly 7-34
Miscellaneous Parts 7-36

Stacker

Stacker Stand 7-38
Covers and Sensors 7-40
Stacker Paper Trays 7-42
Rollers and Transport Belt 7-44
Roller Bushings 7-46
Drive Motor 7-48
Electronics Module 7-50
Input Trays 7-52
Miscellaneous 7-54

Printer Support


Printer Support			
Reference on Drawing	HP Part Number	Quantity	Description/Comments
	Q1271-60670	2	Foot Assembly
2	Q1271-60672	2	Legs Assembly
3	Q1271-60675	1	X-Brace Assembly
4	Q1271-60457	1	Bin Assembly
.	Q1271-60675	1	Hardware Kit (Includes screws for Legs Assembly)
5	Q1271-60459	2	Leg Cover



Figure 1: Printer Support

Center Covers

Center Covers			
Reference on Drawing	HP Part Number	Quantity	Description/Comments
1	Q1273-60057	1	Window
2	Q1273-60256	1	Top Cover
3	Q1273-60107	1	Rear Door
4	Q1273-60105	1	Left Connector Cover
5	Q1273-60106	1	Right Connector Cover
6	Q1273-60072	1	Window Sensor

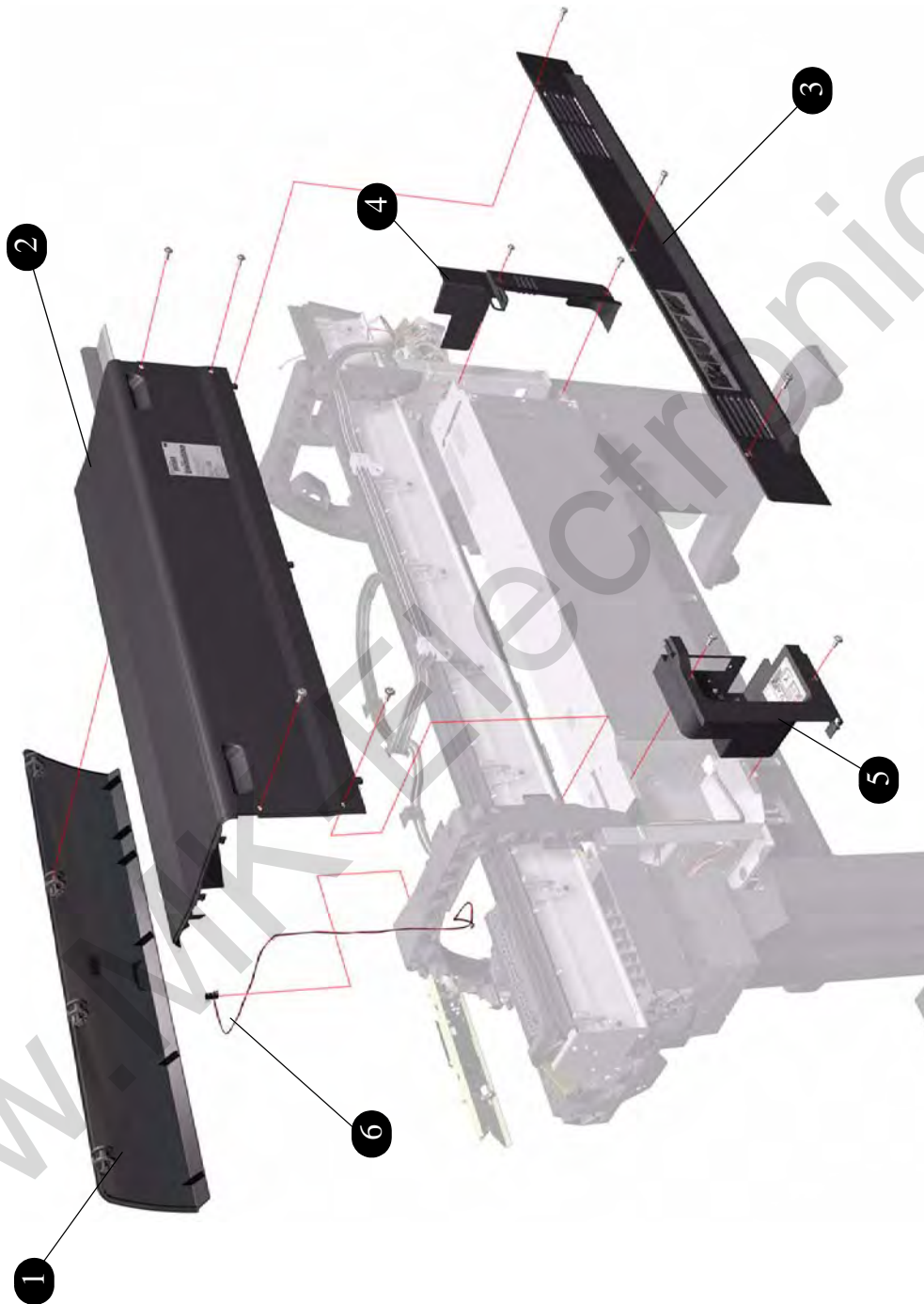



Figure 2: Center Covers

Electronics Module

Electronics Module			
Reference on Drawing	HP Part Number	Quantity	Description/Comments
	Q1273-60043	1	Main PCA Formatter (Includes Processor & Heatsink)
2	Q1273-60241	1	Gamut PCI PCA
3	Q1271-60638	1	Printmech PCA
4	Q1273-60243	1	Hard Disk Drive (Includes Holder and screws)
5	Q1271-60727	1	Power Supply Unit
6	Q1271-60639	1	Interconnect PCA
7	Q1273-60249	1	Memory Module 256MB
8	Q1273-60237	1	EIO2PCI Interface
9	Q1273-60238	1	Empty Electronics Module Assembly
10	Q1273-60230	1	Electronics Module Cables Kit
11	Q1273-60065	1	Electronics Module Metal Parts Kit
12	Q5680-60001	1	PCI USB PCA
13	Q5679-60001	1	Gigabit Ethernet PCI Card

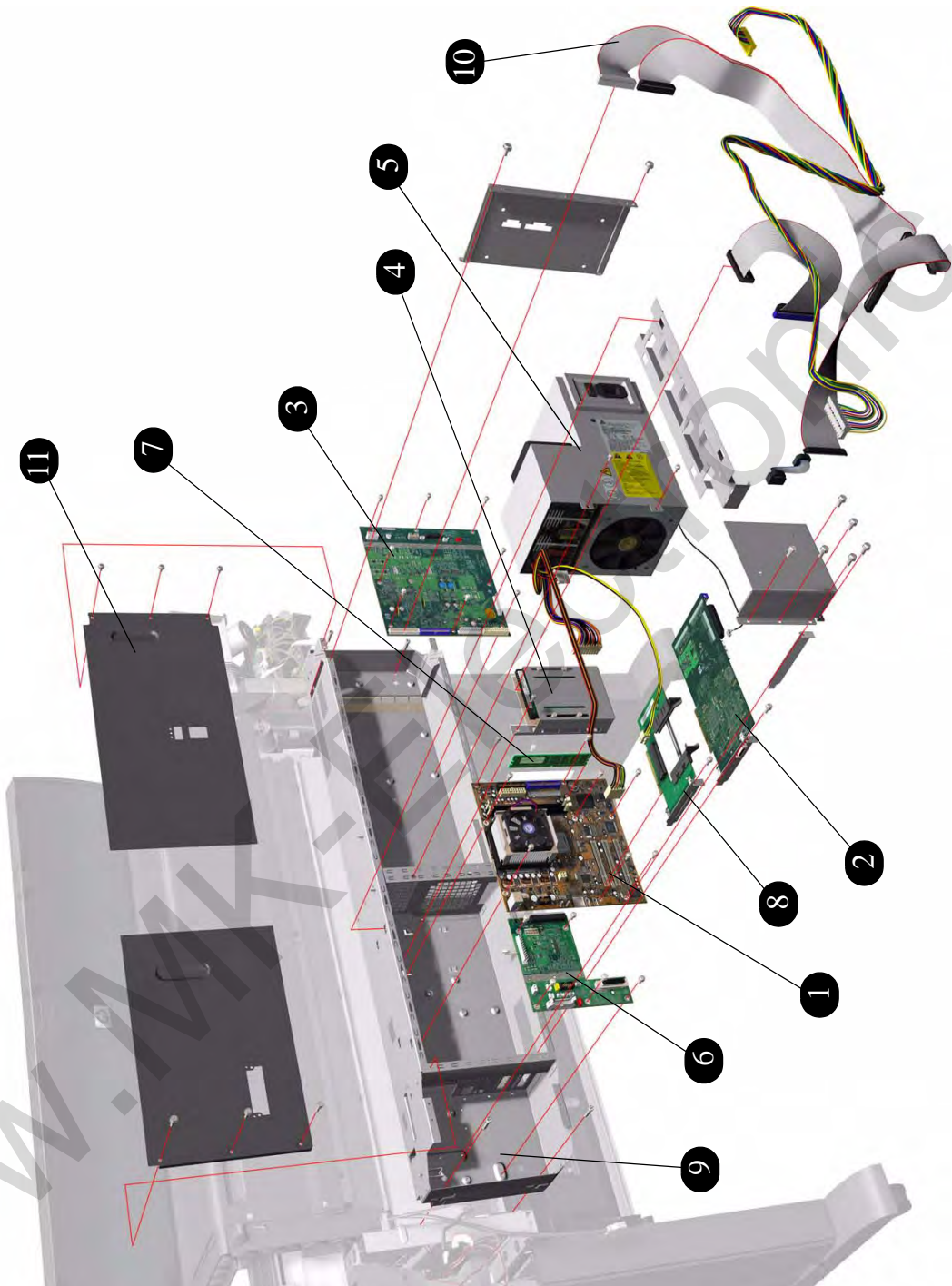


Figure 3: Electronics Module

Right Hand Cover

Right Hand Cover			
Reference on Drawing	HP Part Number	Quantity	Description/Comments
1	Q1273-60054	1	Right Hand Cover (without Door)
2	Q1271-60646	1	Trim Kit (Includes Left Trim, Right Trim and Drive Pinch Lever Bezel)
3	Q1273-60240	1	Front Panel (Includes Cable)
4	Q1273-60101	1	Front Panel Bezel
5	Q1271-60643	1	Printhead Cleaner Access Door (for hp designjet 4500)
	Q1271-60642	1	Printhead Cleaner Access Door (for hp designjet 4500ps) (includes Adobe and Pantone Logo)
	Q1271-60707	1	Printhead Cleaner Access Door (for hp designjet 4500mfp)
6	Q1273-60092	1	Push-Push Mechanism
7	Q1273-60088	1	Quick Reference Guide Holder

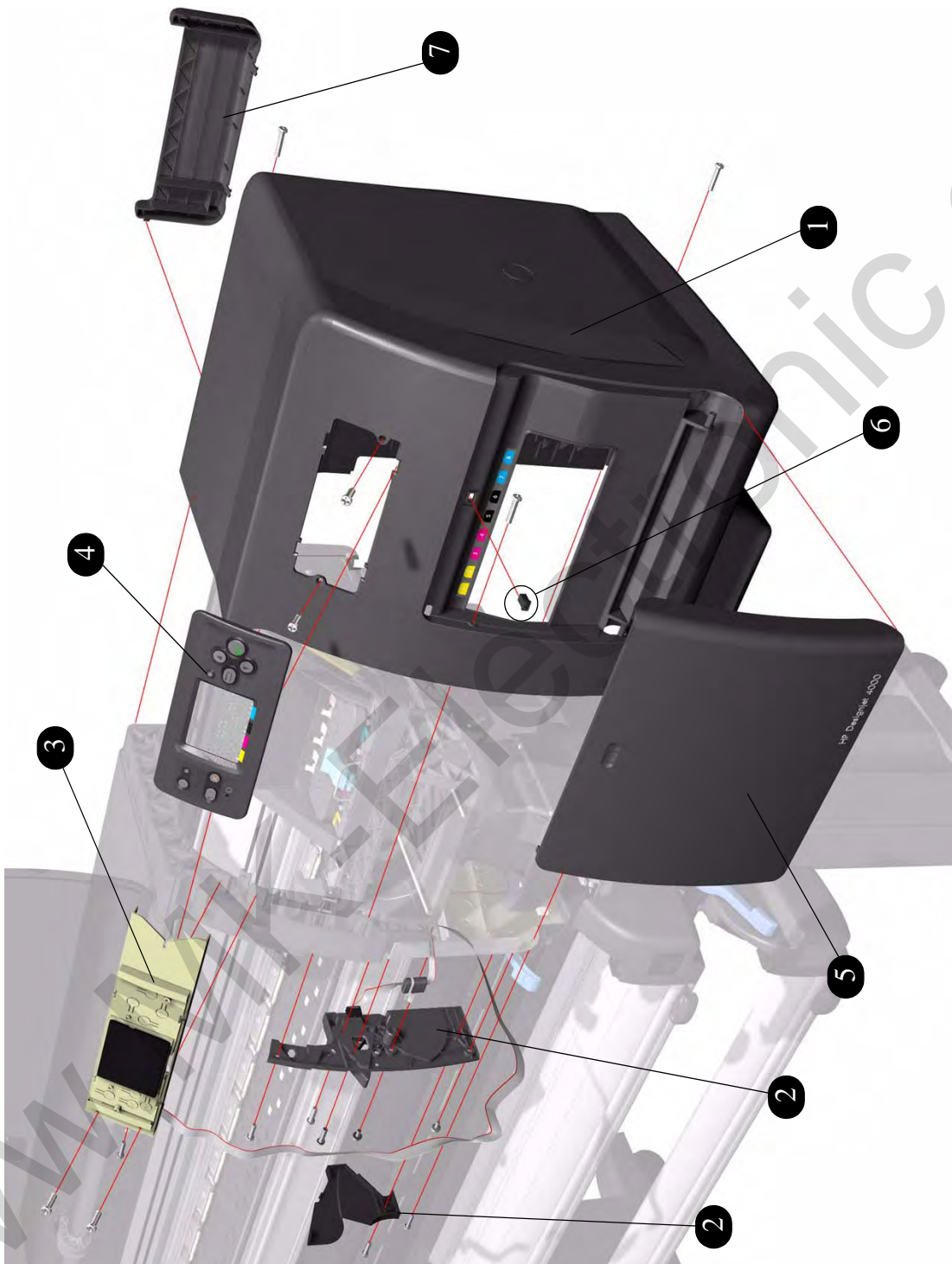


Figure 4: Right Hand Cover

Left Hand Cover

Left Hand Cover			
Reference on Drawing	HP Part Number	Quantity	Description/Comments
1	Q1273-60053	1	Left Hand Cover (without Door)
2	Q1271-60646	1	Trim Kit (Includes Left and Right Trim)
3	Q1273-60091	1	Cartridge Access Door
4	Q1273-60092	1	Push-Push Mechanism

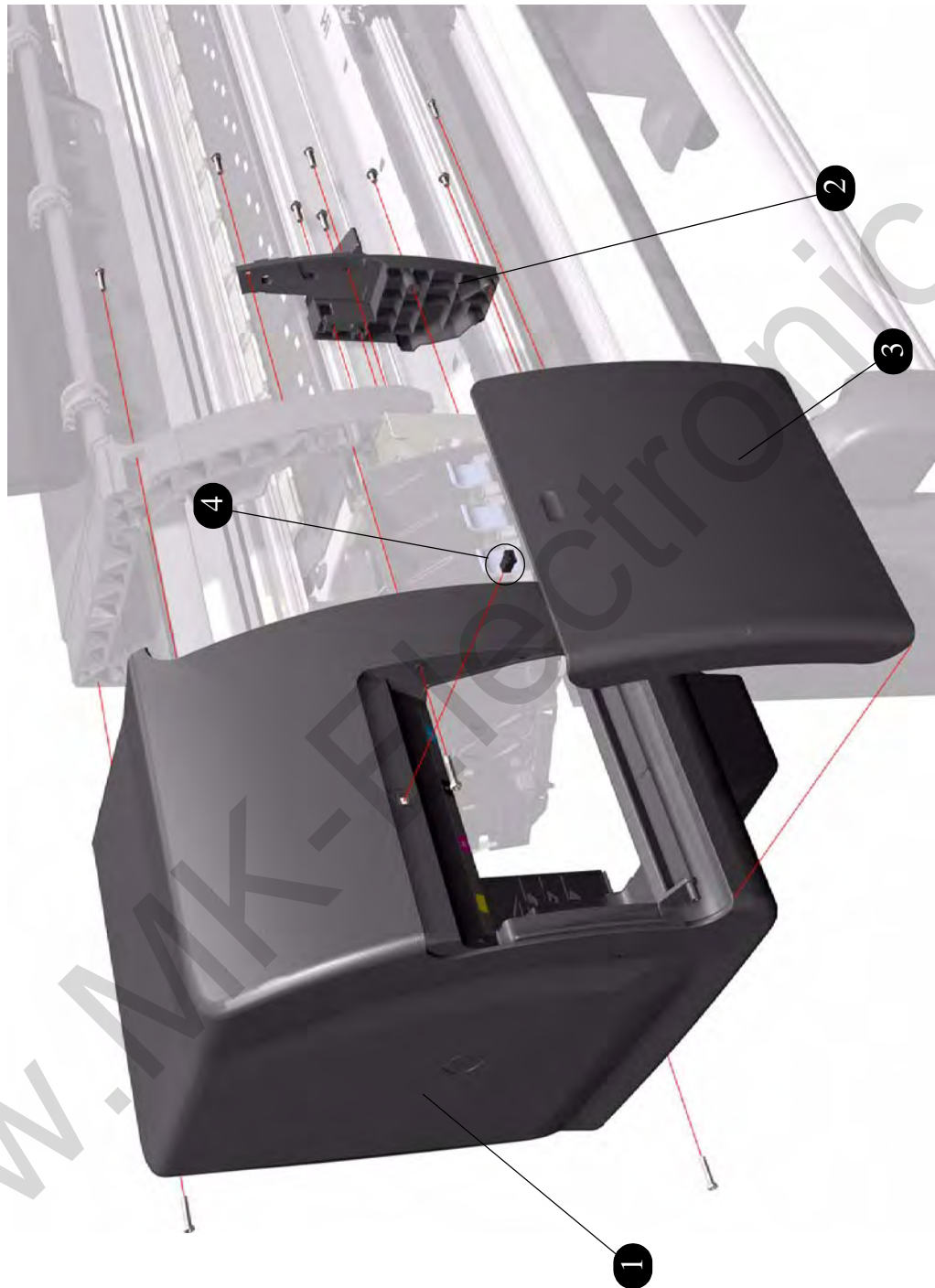


Figure 5: Left hand Cover

Right Hand Assemblies

Right Hand Assemblies			
Reference on Drawing	HP Part Number	Quantity	Description/Comments
1	Q1273-60255	1	Service Station (Includes Drop Detector)
2	Q1273-60226	1	Aerosol Fan Assembly
3	Q1273-60257	1	Vacuum Fan Assembly
4	Q1273-60236	1	Drop Detector
5	Q1273-60067	1	Service Station Cable (Includes Printhead Cleaner Door Switch)
6	Q1273-60084	1	Aerosol Filter
7	Q1273-60086	1	Right Bracket
8	Q1273-60284	1	Right door Switch

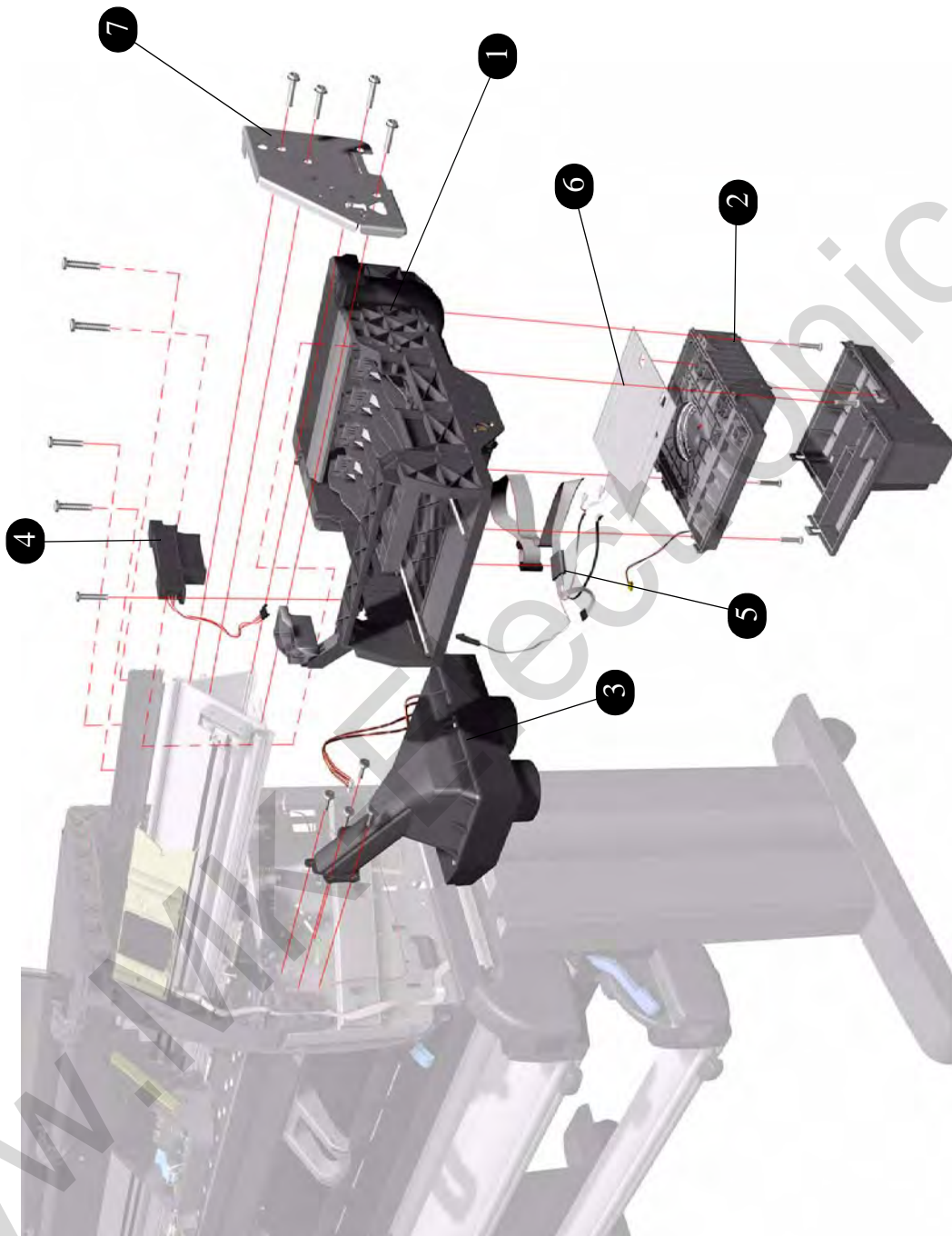


Figure 6: Right Hand Assemblies

Left Hand Assemblies

Left Hand Assemblies			
Reference on Drawing	HP Part Number	Quantity	Description/Comments
1	Q1273-60244	1	Ink Supply Station (without APS)
2	Q1273-60227	1	Air Pressurization Pump (APS)
3	Q1273-60234	4	Cartridge Trays
4	Q1273-60229	1	Left Bracket
5	Q1273-60245	1	ISS to Cartridge Cable
6	Q1273-60099	1	Most Left Spittoons
7	Q1273-60100	1	Middle Left Spittoons

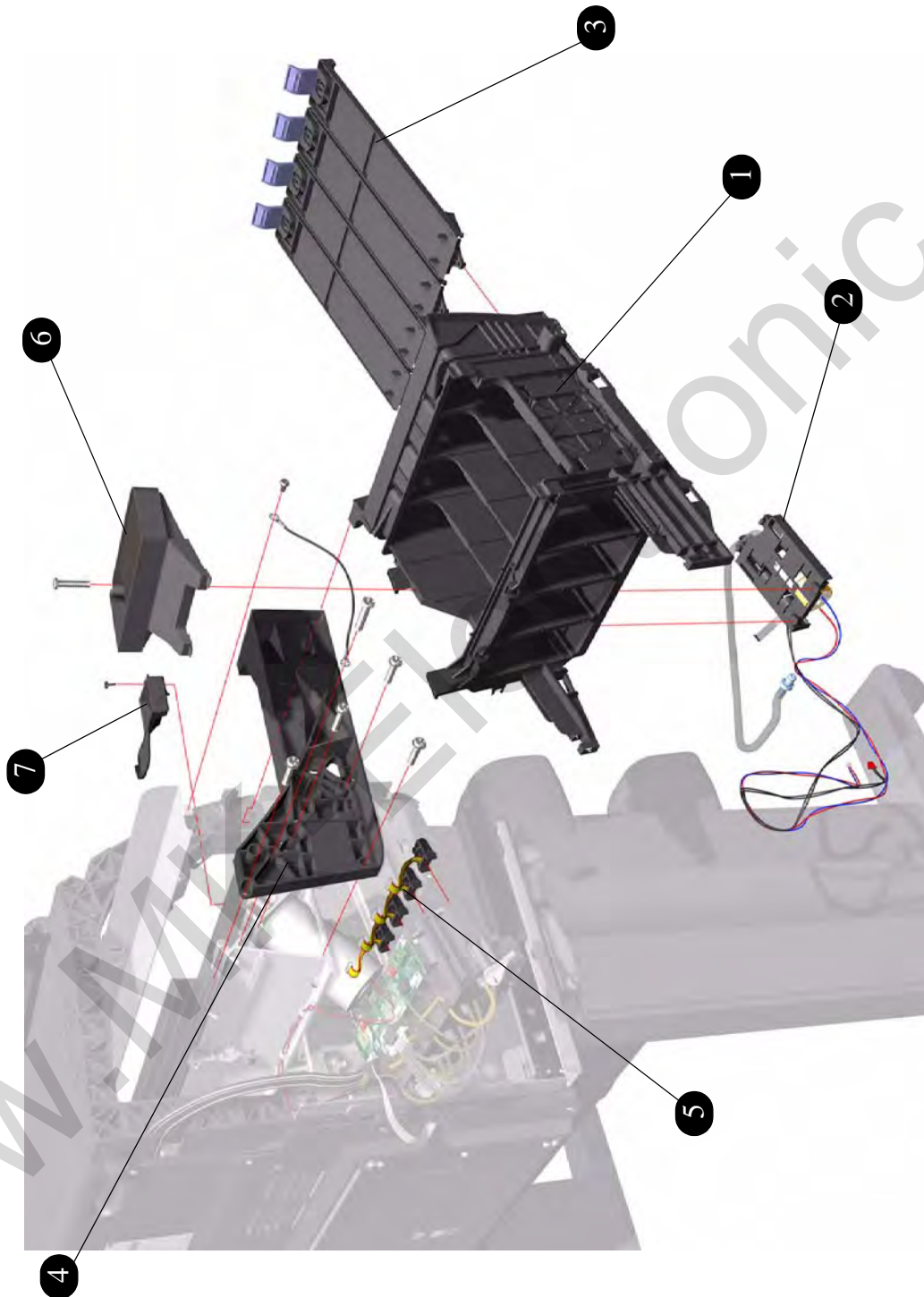


Figure 7: Left Hand Assemblies

Carriage Assembly

Carriage Assembly			
Reference on Drawing	HP Part Number	Quantity	Description/Comments
1	Q1273-60231	1	Carriage Assembly (does not include Cutter, Carriage PCA, Encoder and Line Sensors)
2	Q1273-60062	1	Cutter Assembly
3	Q1273-60246	1	Line Sensor
4	-	1	Encoder Sensor (this sensor is included within the Encoder Strip and Encoder Sensor Kit, pn Q1273-60239)
5	Q1273-60111	1	Setup Printhead Kit
6	Q1273-60232	1	Carriage Flex Cables
7	Q1273-60233	1	Carriage PCA
8	Q1273-60252	1	Carriage Stopper (includes Carriage Stopper Screw and Media-Axis Motor Bracket)
-	Q1271-60420	1	GW Maintenance Kit Generic

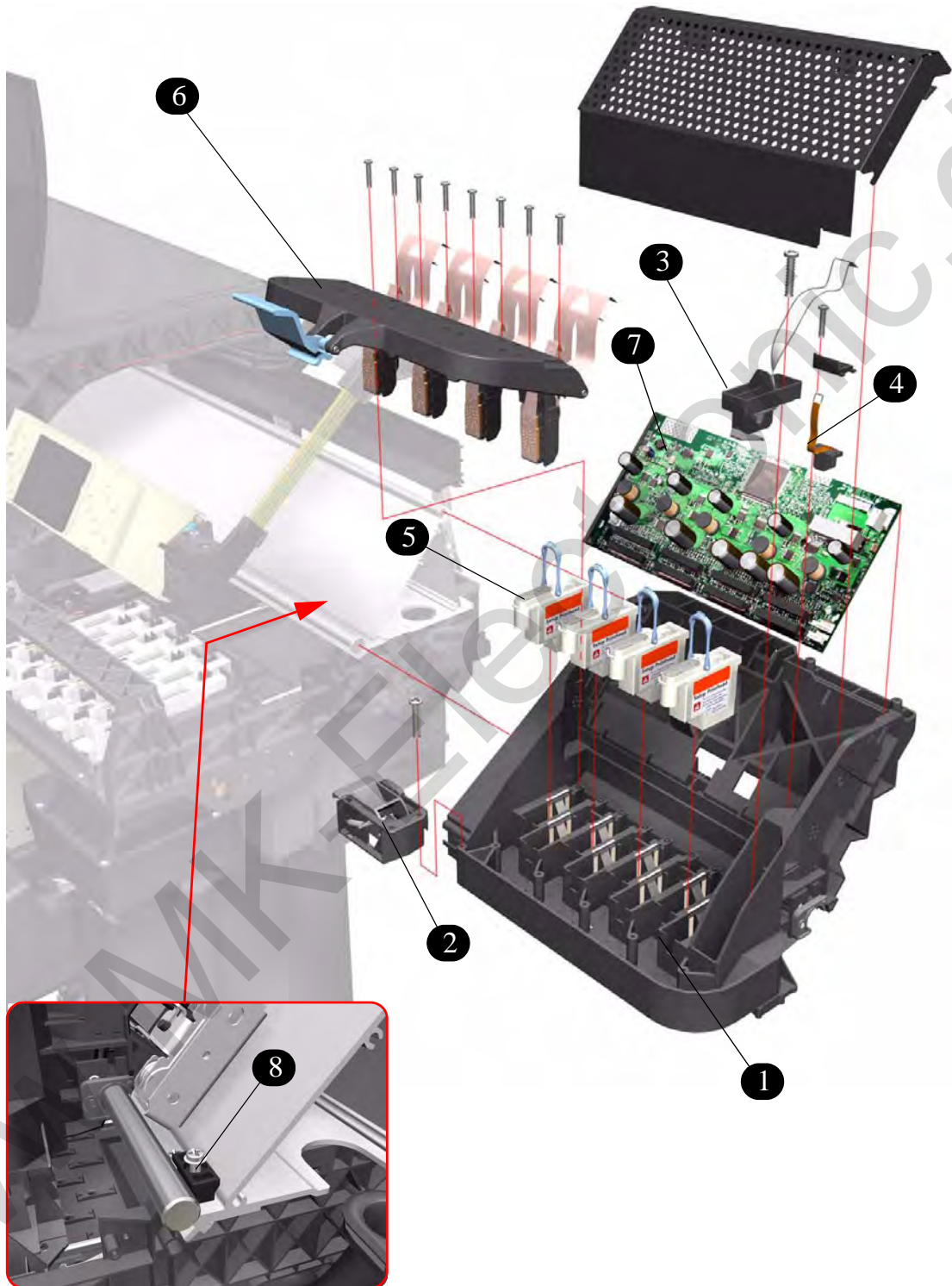


Figure 8: Carriage Assembly

Scan-Axis Assemblies

Scan-Axis Assemblies			
Reference on Drawing	HP Part Number	Quantity	Description/Comments
1	Q1273-60254	1	Ink Supply Tubes and Trailing Cable
2	Q1273-60228	1	Belt and Tensioner Assembly
3	Q1273-60071	1	Scan-Axis Motor
4	Q1273-60239	1	Encoder Strip and Encoder Sensor Kit
5	Q1273-60108	5	Ink Supply Tubes Clips
6	Q1273-60112	2	Rear Tube Brackets

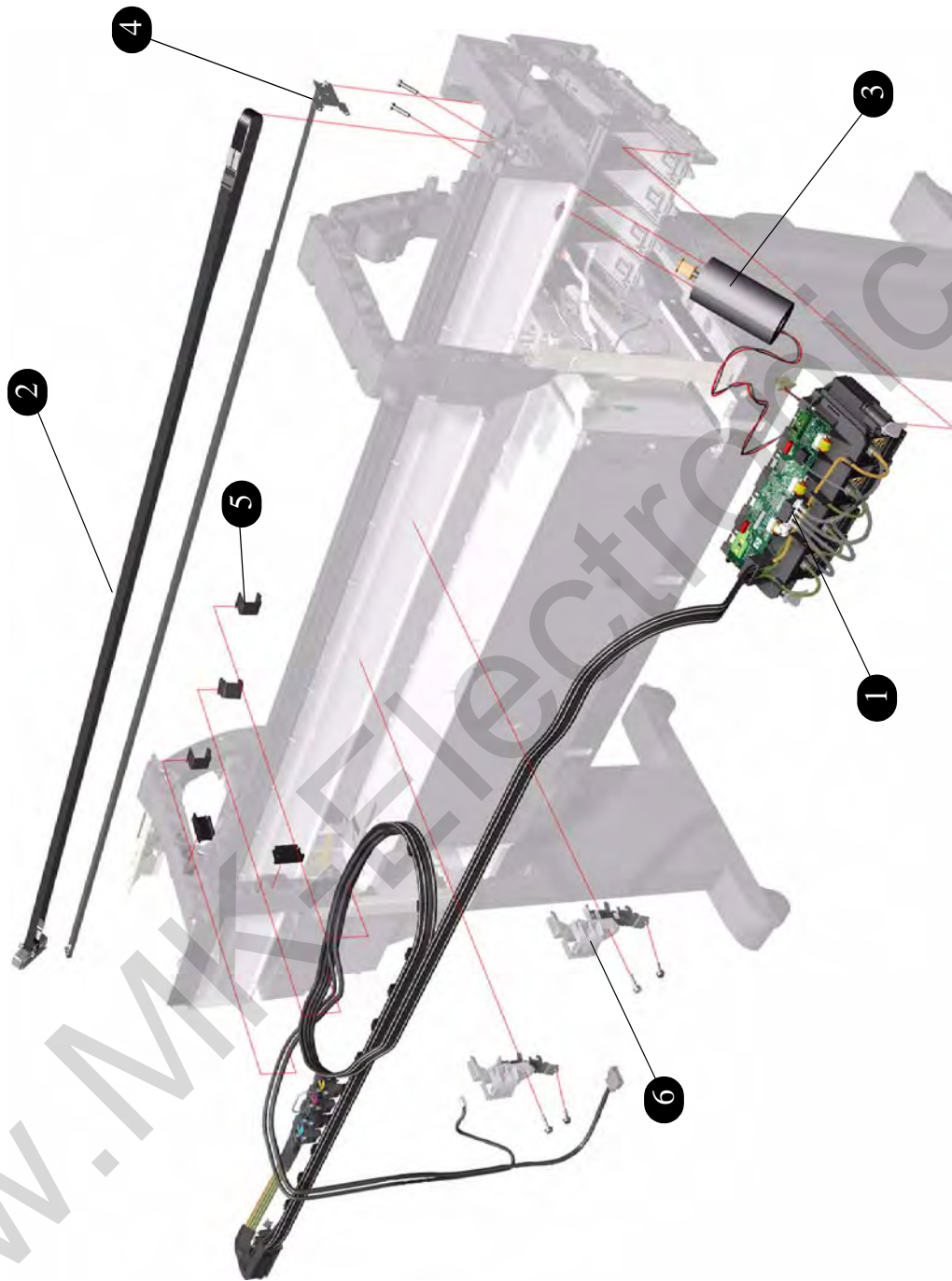


Figure 9: Scan-Axis Assembly

Drive Roller and Media-Axis Motor

Drive Roller and Media-Axis Motor			
Reference on Drawing	HP Part Number	Quantity	Description/Comments
1	Q1273-60039	1	Drive Roller
2	Q1273-60248	1	Drive Roller Encoder Kit
3	Q1273-60242	1	Gears and Drive Roller Brake Kit
4	Q1273-60247	1	Media-Axis Motor
5	Q1273-60252	1	Carriage Stopper (includes Carriage Stopper Screw and Media-Axis Motor Bracket)

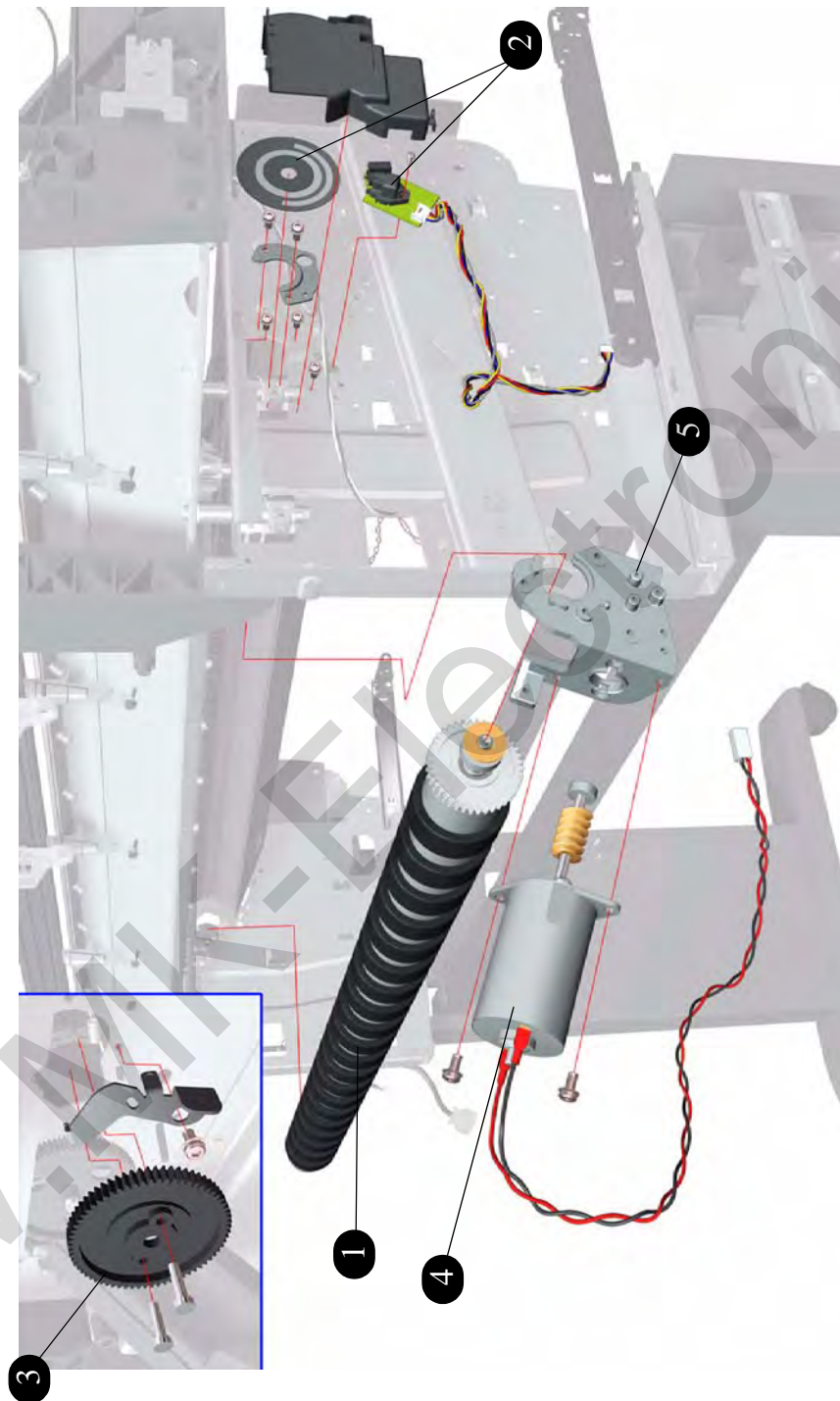


Figure 10: Drive Roller and Media Axis Motor

Paper Path Assemblies

Paper Path Assemblies			
Reference on Drawing	HP Part Number	Quantity	Description/Comments
1	Q1271-60644	1	Center Platen
2	Q1271-60622	1	Output Platen
3	Q1271-60623	2	Media Deflectors Kit
4	Q1271-60624	1	Media Deflector with Sensor

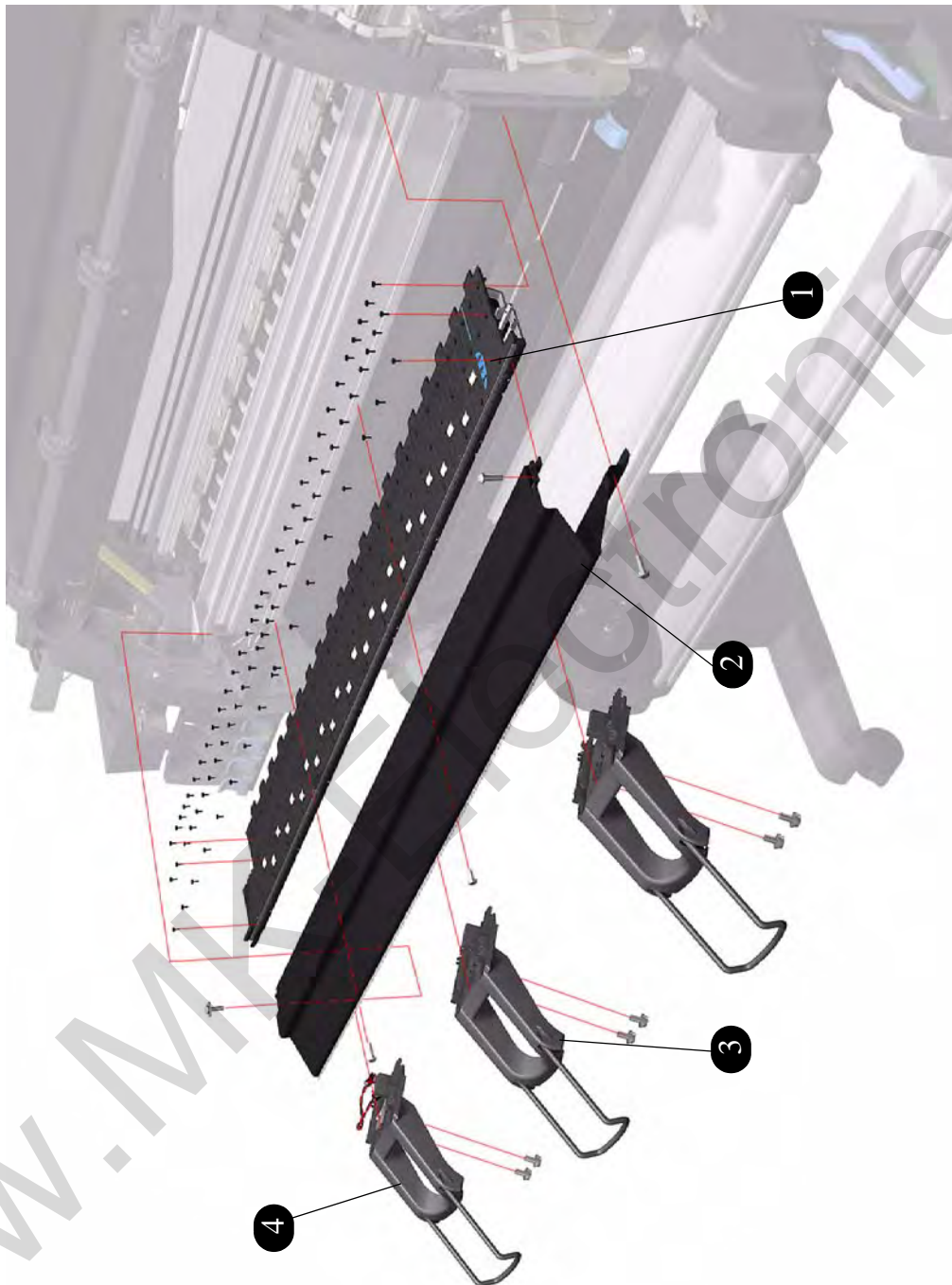


Figure 11: Paper Path Assemblies

Pinchwheel Assembly

Pinchwheel Assembly			
Reference on Drawing	HP Part Number	Quantity	Description/Comments
1	Q1271-60625	1	Complete Pinchwheels Assembly
2	Q1271-60635	1	Pinchwheels Kit (only contains the wheels)
3	Q1271-60647	1	Drive Pinchwheel Lever
4	Q1273-60082	1	Media Lever Sensor

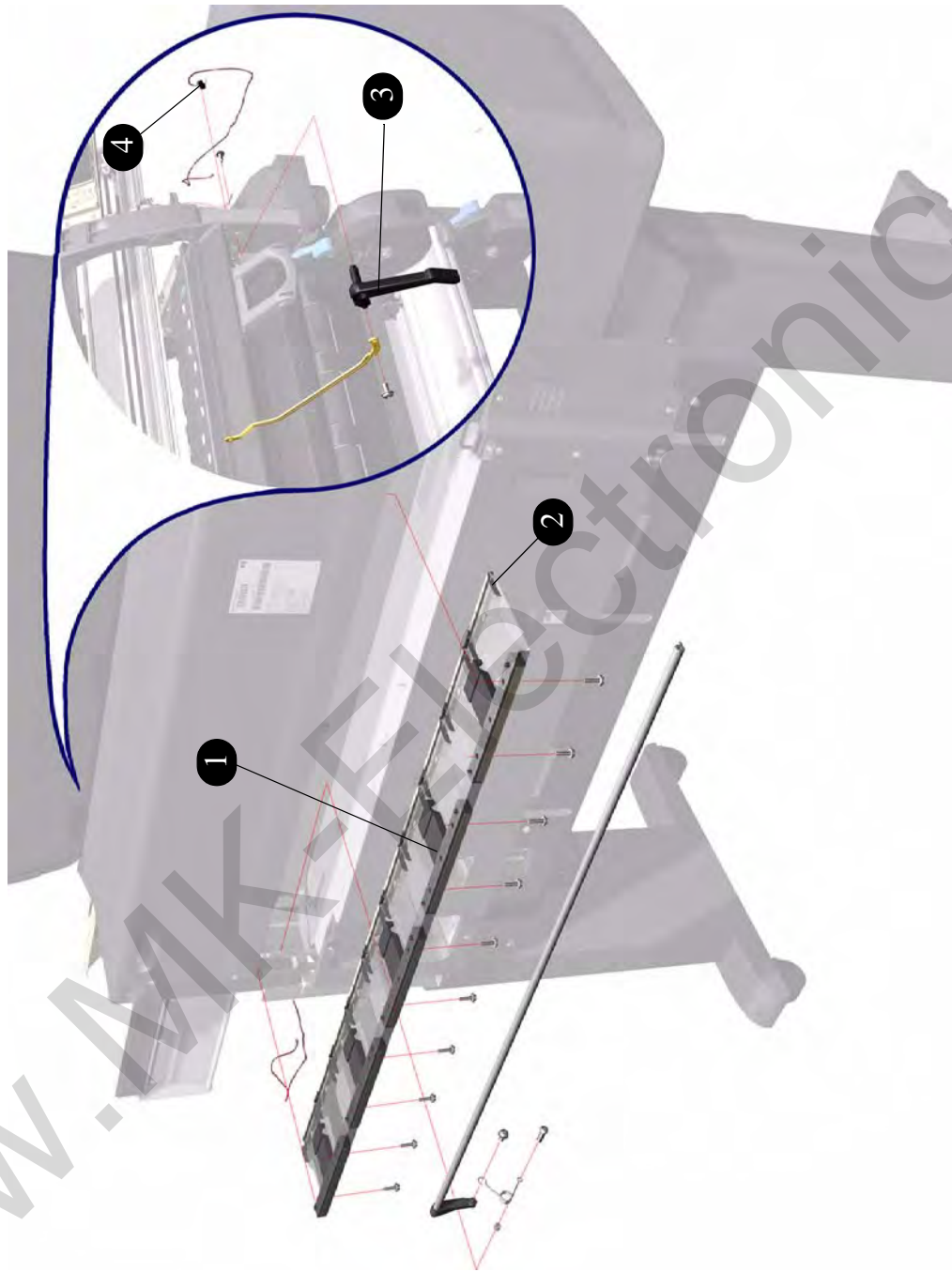


Figure 12: Pinchwheel Assembly

Rear Path Assembly

Rear Path Assembly			
Reference on Drawing	HP Part Number	Quantity	Description/Comments
1	Q1271-60611	1	Rear Path Assembly
2	Q1271-60640	1	Rear Path Cable Kit
3	Q1271-60649	1	Left & Right Cable Arm
4	Q1271-60636	1	Main Media Sensor
5	Q1271-60637	1	Single Sheet Loading Media Sensor
6	Q1271-60637	1	Roll 1 Media Sensor
7	Q1271-60637	1	Back Channel Sensor
8	Q1271-60732	1	Mylar Strip

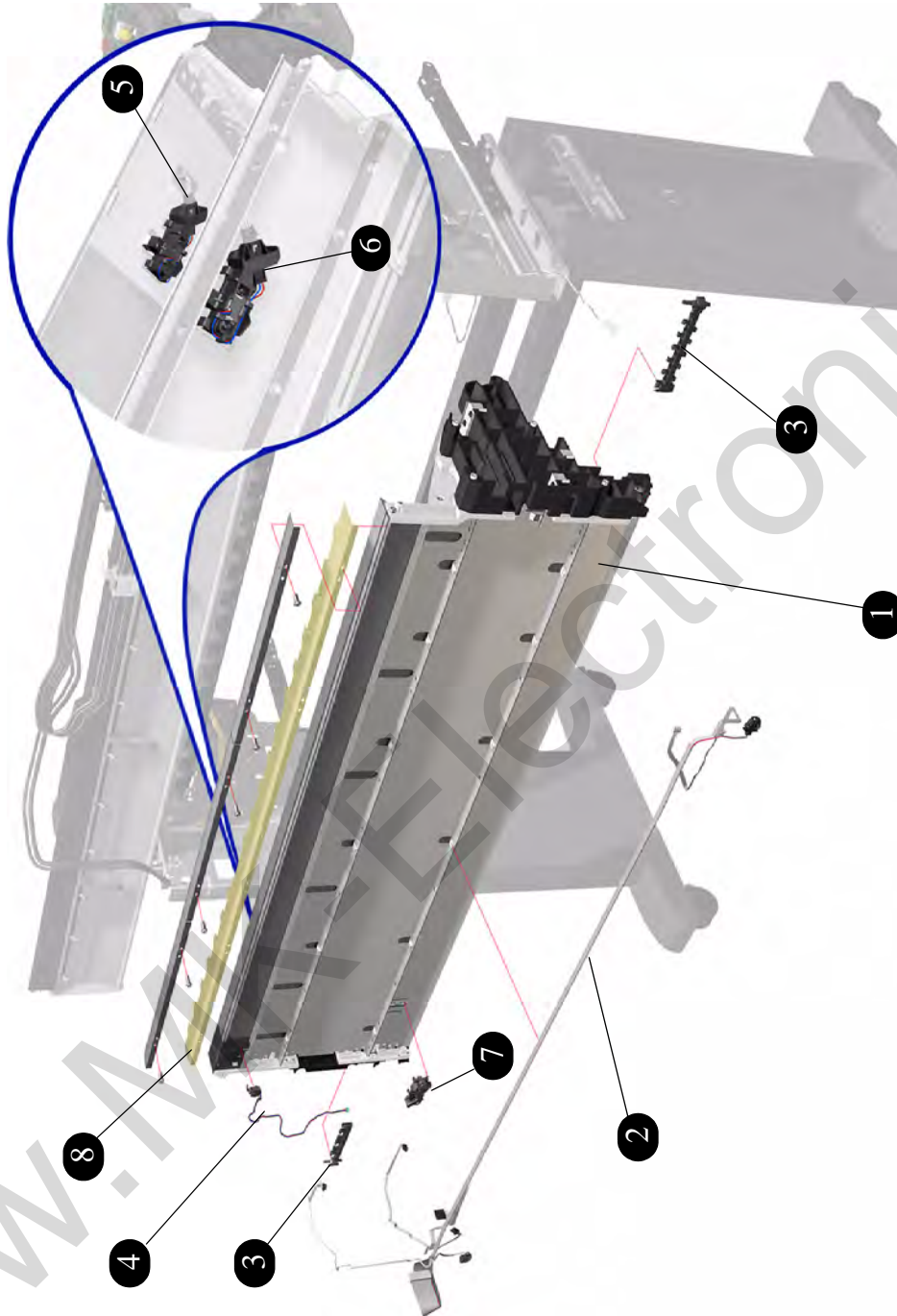


Figure 13: Rear Path Assmbly

Roll 1 Module (Front Path)

Roll 1 Module			
Reference on Drawing	HP Part Number	Quantity	Description/Comments
1	Q1271-60618	1	Front Path Assembly (without Media Feed Motor or BT Arm)
2	Q1271-60697	1	BT Arm Assembly
3	Q1271-60614	2	Left and Right Locking Levers
4	Q1271-60615	1	Paper Load Lever
5	Q1271-60617	1	BT Arm Encoder and Paper Load Lever Switch
6	Q1271-60613	1	Media Feed Motor
7	Q1271-60612	1	Reference Shaft Wheel
8	Q1271-60713	1	Feed Roller Assembly
-	Q1271-60645	1	Roll 1 Module ESD Parts



Figure 14: Roll 1 Module (Front Path Assembly)

Roll 1 Drawer Assembly

Roll 1 Drawer Assembly			
Reference on Drawing	HP Part Number	Quantity	Description/Comments
1	Q1271-60619	1	Right Spindle Support
2	Q1271-60620	1	Left Spindle Support
3	Q1271-60621	1	Drawer Guide and Bar
4	Q1271-60627	1	42" Spindle (does NOT include Blue Hub)
5	Q1271-60628	1	Blue Hub
6	Q1271-60650	1	Left and Right Drawer Sliders
7	Q1271-60641	1	Drawer Switch Sensor
8	Q1271-60699	1	Cutter
-	Q1271-60629	1	3" Spindle Adaptors



Figure 15: Roll 1 Drawer Assembly

Roll 2 Module

Roll 2 Module			
Reference on Drawing	HP Part Number	Quantity	Description/Comments
1	Q1271-60695	1	Roll 2 Module Chassis
2	Q1271-60697	1	BT Arm Assembly
3	Q1271-60689	1	BT Arm Encoder Disc and Switch Kit
4	Q1271-60692	1	Feed Roller Assembly
5	Q1271-60688	1	Media Feed Motor
6	Q1271-60693	1	Paper Load Lever
7	Q1271-60691	1	Pinch Wheel
8	Q1271-60690	1	Roll Module 2 Interconnect PCA
9	Q1271-60637	1	Roll 2 Media Detector Sensor
10	Q1271-60731	1	Interconnect PCA Cables and Screws kit
11	Q1271-60696	1	Motor Cover and Miscellaneous Parts
-	Q1271-60694	1	Roll 2 Module Cables and Springs Kit



Figure 16: Roll 2 Module

Roll 2 Drawer Assembly

Roll 1 Drawer Assembly			
Reference on Drawing	HP Part Number	Quantity	Description/Comments
1	Q1271-60684	1	Right Spindle Support
2	Q1271-60685	1	Left Spindle Support
3	Q1271-60686	1	Drawer Bar
4	Q1273-60121	1	42" Spindle (does NOT include Blue Hub)
5	C6090-60105	1	Blue Hub
6	Q1271-60687	1	Left and Right Drawer Sliders
7	Q1271-60641	2	Drawer Switch Sensor
8	Q1271-60699	1	Cutter
-	C6090-60112	1	3" Spindle Adaptors



Figure 17: Roll 2 Drawer Assembly

Miscellaneous Parts

Arc Assemblies			
Reference on Drawing	HP Part Number	Quantity	Description/Comments
1	Q1273-60097	1	Right Arc
2	Q1273-60098	1	Left Arc
3	Q1271-60700	1	Cutter Blades
4	Q1271-60728	1	Servicing Tool Kit (includes right -angled keys)
5	Q1271-60420	1	Maintenance Kit Generic
6	8121-0913	1	Power Cord (2.5 meters) for Australia
-	8121-0731	1	Power Cord (2.5 meters) for most European Countries, Korea, Indonesia, Portugal, Germany, Spain, France, Italy and Arabic Countries
-	8121-0739	1	Power Cord (2.5 meters) for Singapore, Hong Kong, Arabic Countries and United Kingdom
-	8121-0564	1	Power Cord (2.5 meters) for India.
-	8121-0737	1	Power Cord (2.5 meters) for South Africa.
-	8121-0734	1	Power Cord (2.5 meters) for Brazil.
-	8121-0740	1	Power Cord (2.5 meters) for USA, Mexico, Canada and Arabic Countries.
-	8121-0735	1	Power Cord (2.3 meters) for Chile and Uruguay.
-	8121-0742	1	Power Cord (2.5 meters) for China
-	8121-0729	1	Power Cord (2.5 meters) for Argentina
-	8121-0736	1	Power Cord (2.5 meters) for Japan (adapter nema plug) 5080-3149)
-	8121-0964	1	Power Cord (2.5 meters) for Taiwan
-	8121-0733	1	Power Cord (2.5 meters) for Denmark
-	8121-0738	1	Power Cord (2.5 meters) for Switzerland

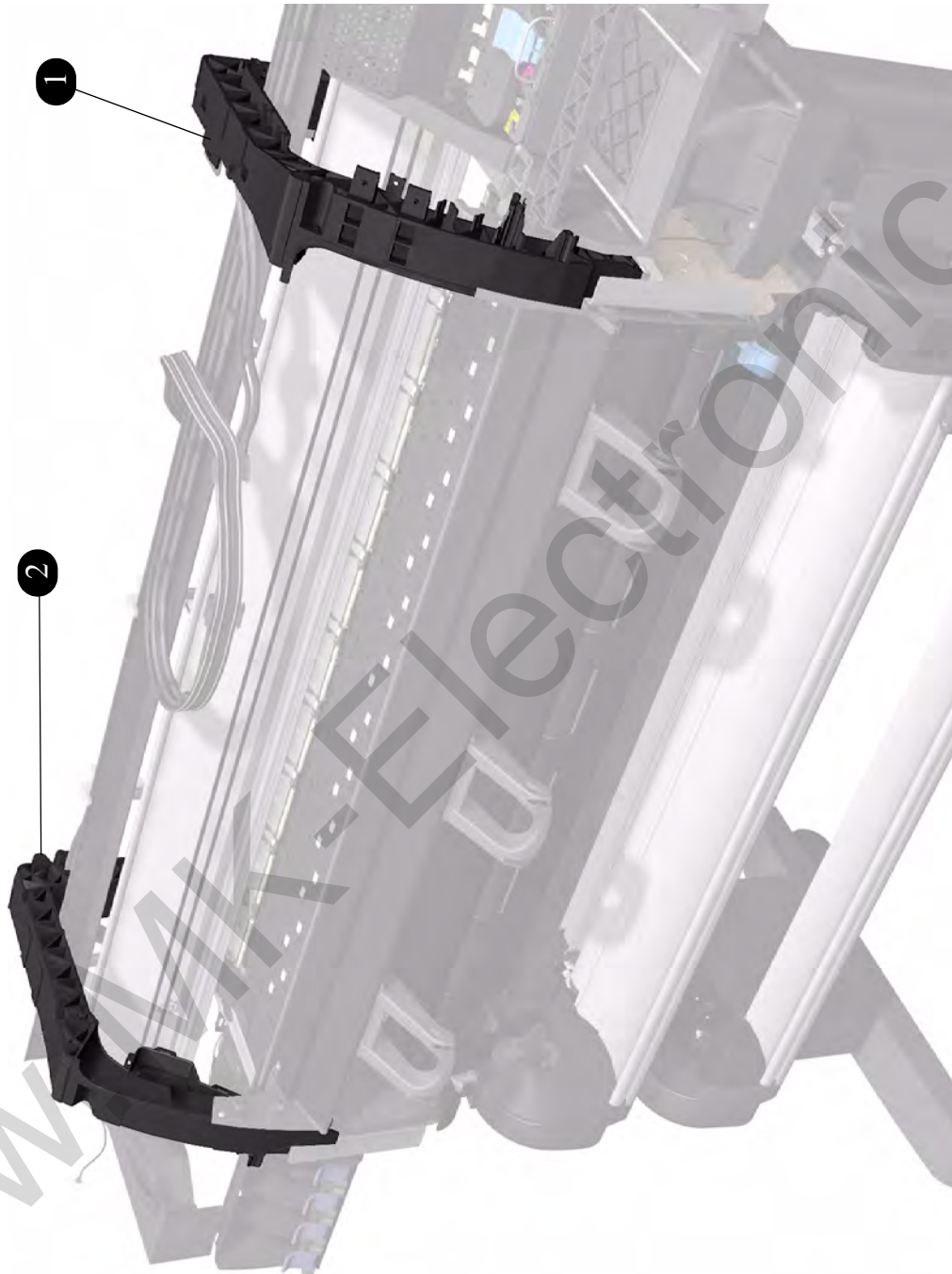


Figure 18: Arc Assemblies

Stacker Stand

Stacker Stand			
Reference on Drawing	HP Part Number	Quantity	Description/Comments
1	Q5677-60024	1	Complete Stand Assembly (includes right and left leg, Leg Extension Assembly, Cross Beam)
2	Q5677-60025	2	Wheels and Feet Extension kit

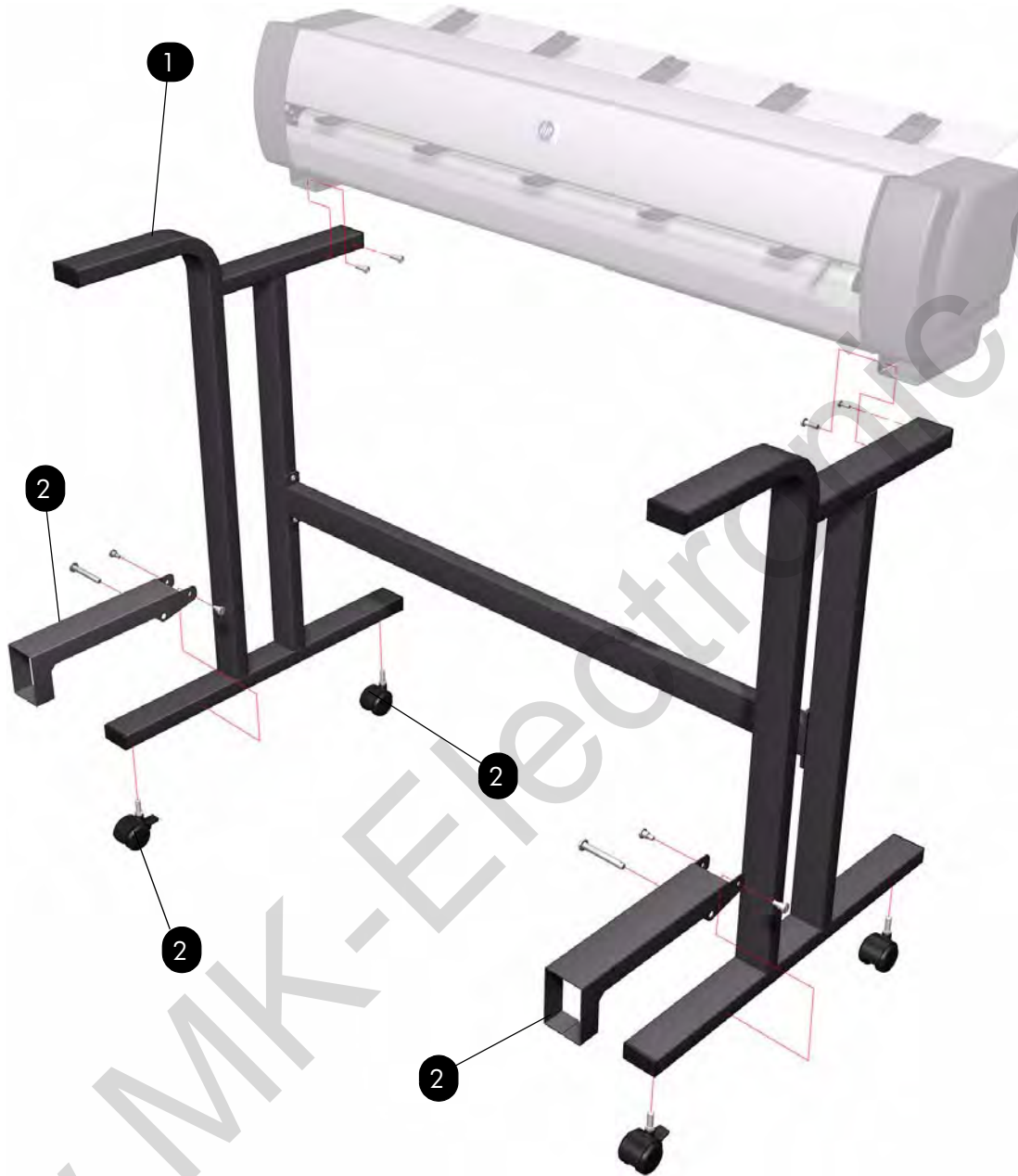


Figure 1: Stacker Stand

Covers and Sensors

Covers and Sensors			
Reference on Drawing	HP Part Number	Quantity	Description/Comments
1	Q5677-60022	1	Left Cover
2	Q5677-60023	1	Right Cover
3	Q5677-60011	1	Top Cover (includes Front Cover)
4	Q5677-60004	1	Lower Front Cover
5	Q5677-60002	1	Tray full and Media Sensor assy
6	Q5677-60001	1	Front Cover Sensor
7	Q5677-60019	1	Safety Temperature Sensor
8	Q5677-60018	1	Temperature Sensor
9	Q5677-60017	5	Pinch Wheel

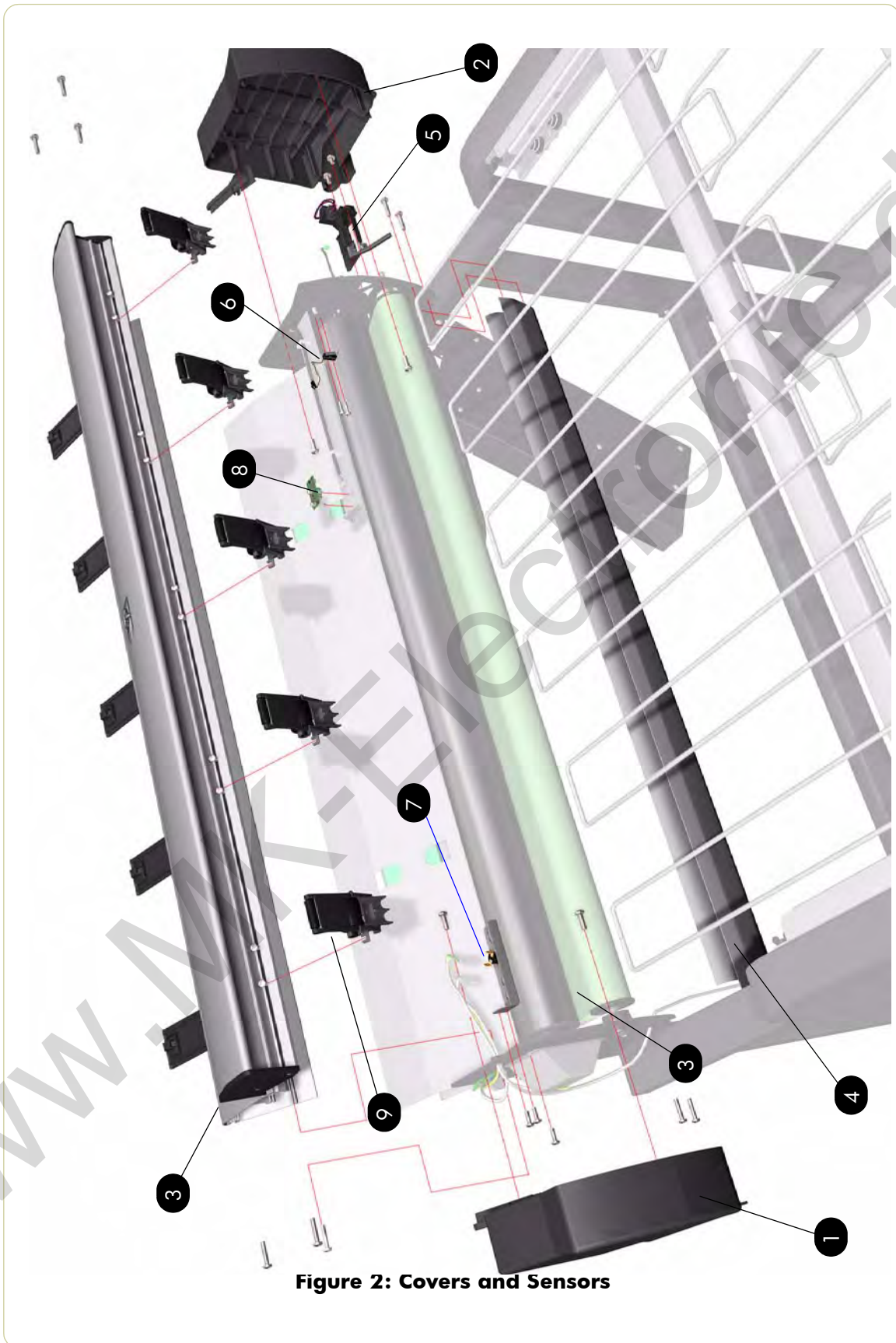


Figure 2: Covers and Sensors

Stacker Paper Trays

Stacker Paper Trays			
Reference on Drawing	HP Part Number	Quantity	Description/Comments
1	Q5677-60026	1	Receiving Paper Tray
2	Q5677-60027	1	Tray Extension



Figure 3: Stacker Paper Trays

Rollers and Transport Belt

Rollers and Transport Belt			
Reference on Drawing	HP Part Number	Quantity	Description/Comments
1	Q5677-60020	1	Heat Roller
2	Q5677-60040	1	Heating Lamp (includes six Springs) (110v)
	Q5677-60021	1	Heating Lamp (includes six Springs) (220v)
3	Q5677-60013	1	Output Roller
4	Q5677-60014	1	Input Roller
5	Q5677-60015	1	Transport Belt

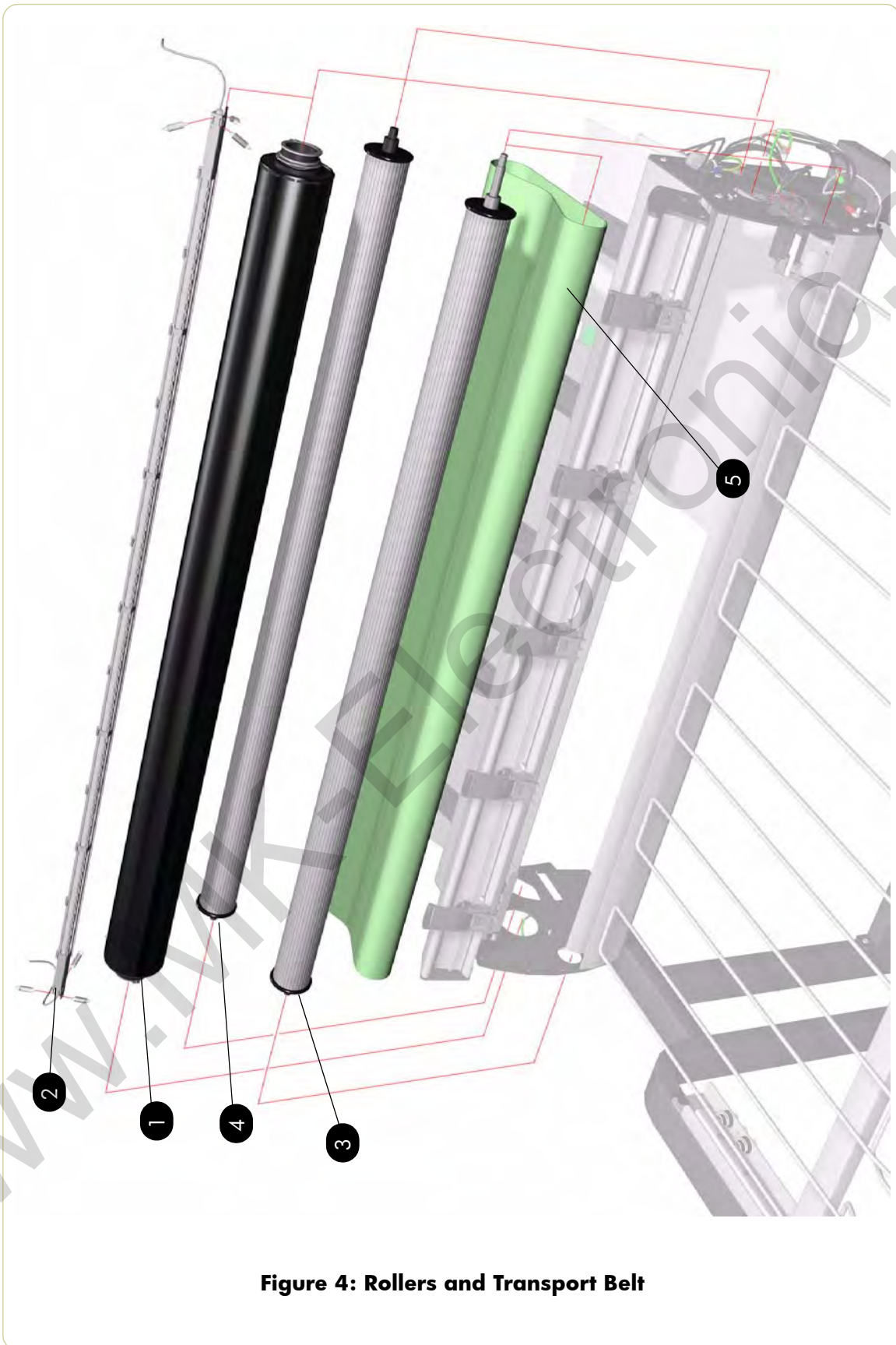


Figure 4: Rollers and Transport Belt

Roller Bushings

Roller Bushings			
Reference on Drawing	HP Part Number	Quantity	Description/Comments
1	Q5677-60031	1	Roller Bushing Kit (Includes Left Output Roller Bearing, Left Input Roller Bearing, Right Input Roller Bearing, two Springs, Circlip)

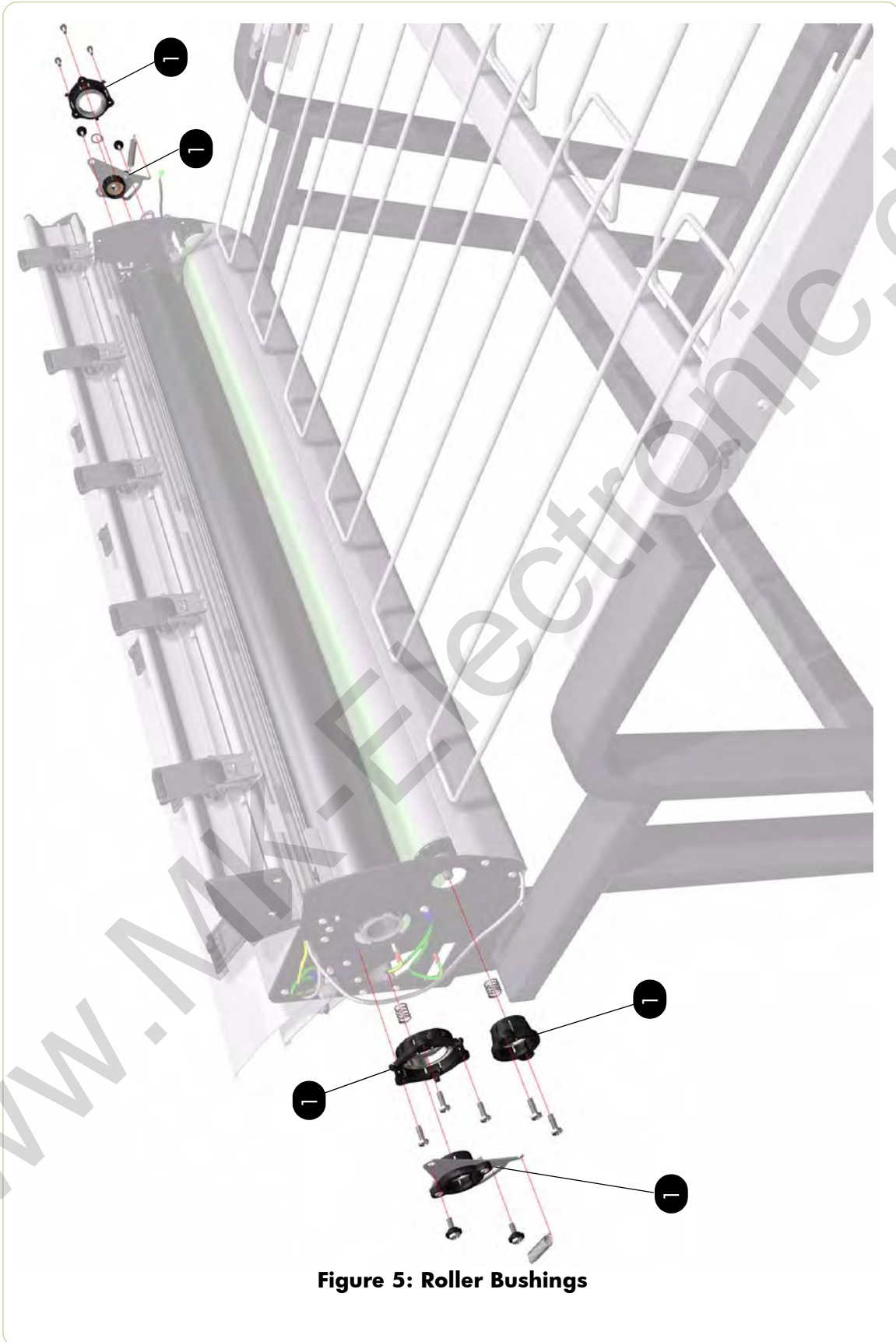


Figure 5: Roller Bushings

Drive Motor

Drive Motor			
Reference on Drawing	HP Part Number	Quantity	Description/Comments
1	Q5677-60016	1	Drive Motor Assembly (Includes Gear and O-ring)

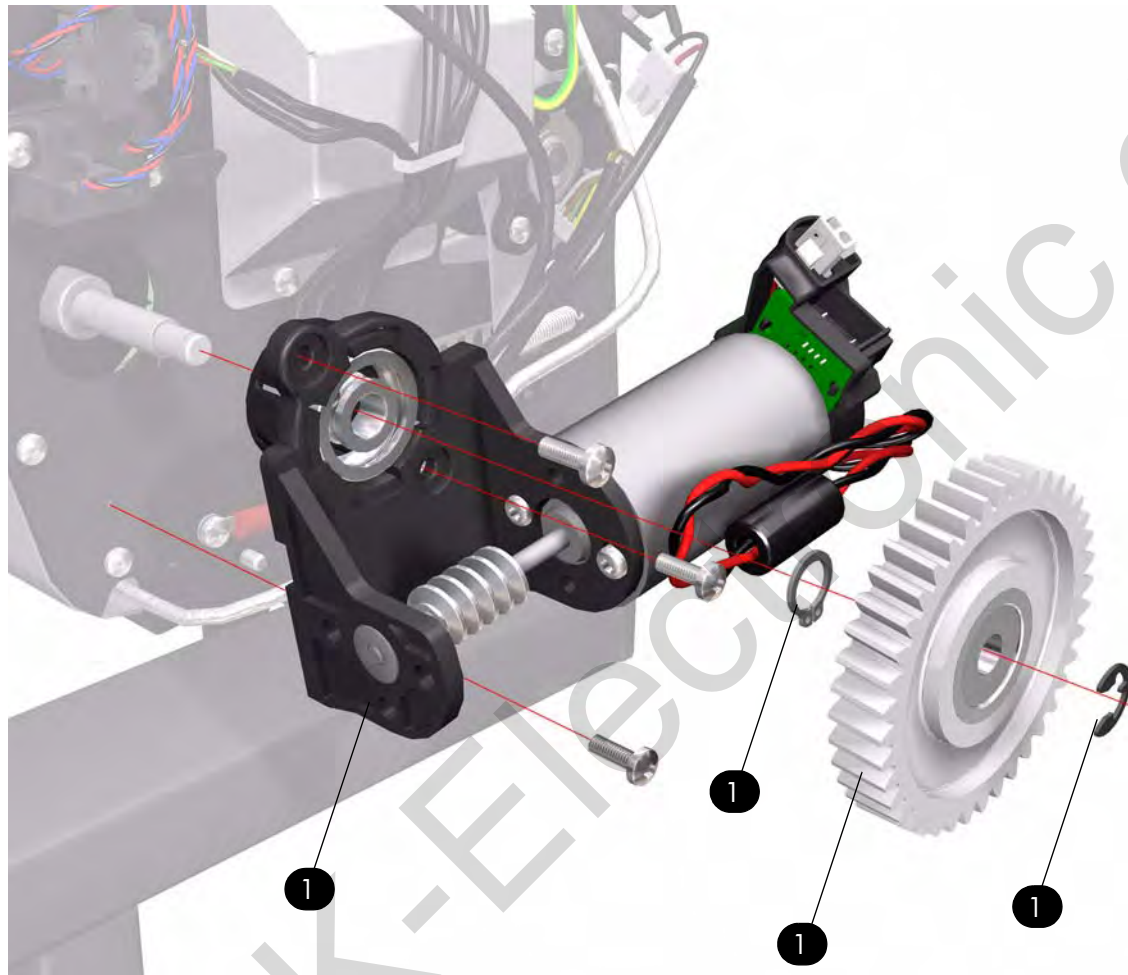


Figure 6: Drive Motor

Electronics Module

Electronics Module			
Reference on Drawing	HP Part Number	Quantity	Description/Comments
1	Q5677-60012	1	Electronics Module Assembly (220v)(Main PCA and Power Supply not included)
	Q5677-60039	1	Electronics Module Assembly (110v)(Main PCA and Power Supply not included)
2	Q5677-60033	1	Main PCA
3	Q5677-60032	1	Power Supply
4	Q5677-60035	1	Fuse (220v)
	Q5677-60038		Fuse (110v)
5	Q5677-60028	1	Printer Interconnect Cable (Can-Bus)
6	Q5677-60029	1	Cables Assembly

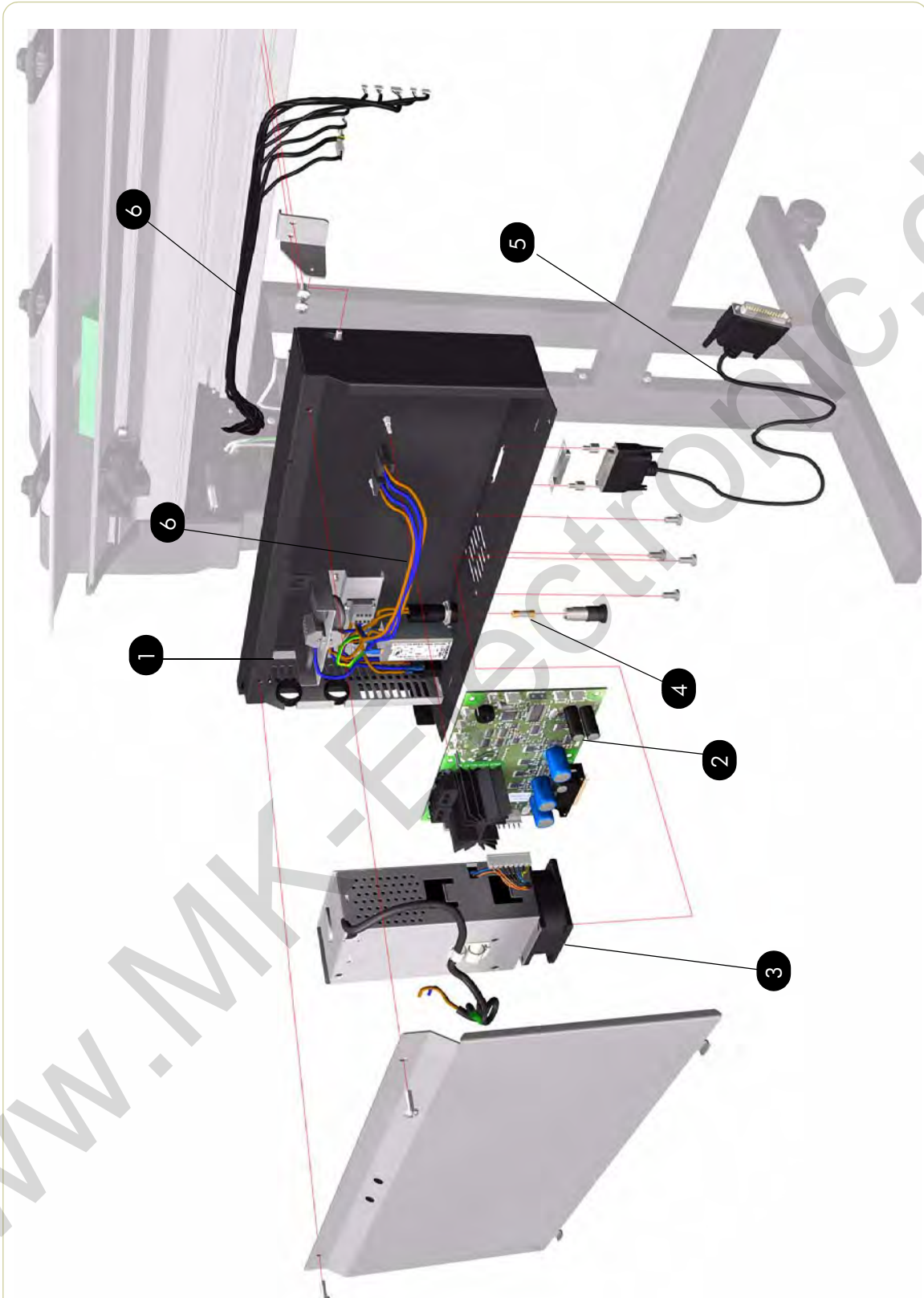


Figure 7: Electronics Module

Input Trays

Input Trays			
Reference on Drawing	HP Part Number	Quantity	Description/Comments
1	Q5677-60009	1	Input Platen
2	Q5677-60005	1	Lower Input Platen
3	Q5677-60006	1	Right Printer Interlock
4	Q5677-60007	1	Left Printer Interlock
5	Q5677-60010	1	Deflectors
6	Q5677-60008	1	Buffer Sensor

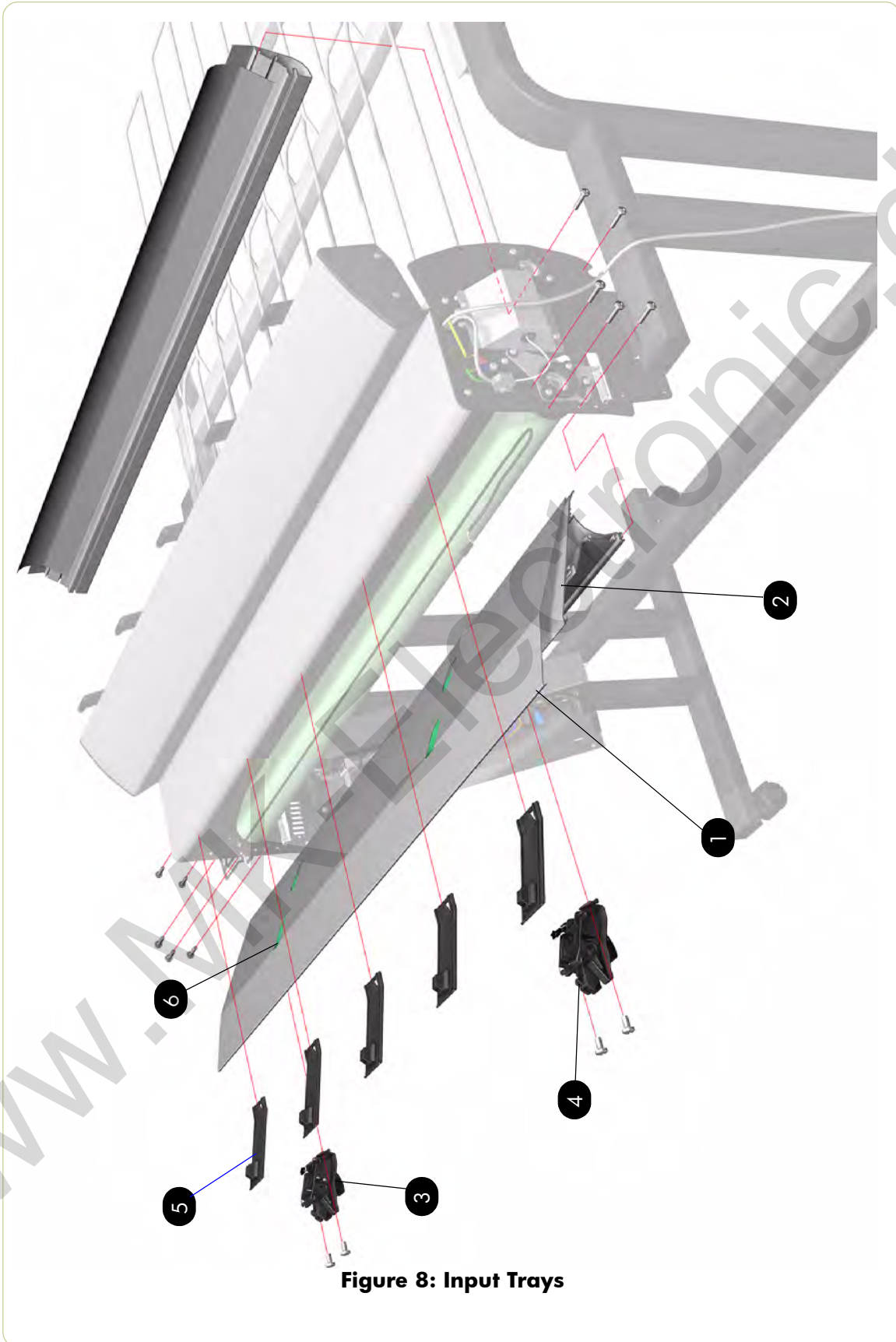


Figure 8: Input Trays

Miscellaneous

Miscellaneous			
Reference on Drawing	HP Part Number	Quantity	Description/Comments
1	Q5677-60030	1	Packaging
2	Q5677-60034	1	Setup Screws