



## Bail and Overdrive Parts

### Bail

1 C4713-60093 Bail assembly (D-size) - Has star wheel assemblies attached

### Cable

2 C4713-60182 Bail link (Cable) - Flexible stranded wire cable - 12.5cm (4.9 inches) long

### Cam

3 C3190-40020 Bail lift cam - Mounted behind the bail engaging lever support

### Clutch

4 C4713-60129 Overdrive clutch assembly

### Deflector

5 C4713-60117 Media deflector with media button - The media deflector furthest to the right side - Includes media load button

### Gear

6 C1633-40019 Overdrive gear cluster

7 C1633-40027 Bail engaging lever gear

8 C3190-40019 Bail lift cam gear

### Hardware

9 0510-0083 Retaining E-ring - 0.250-in diameter, steel zinc-dichromate dip

### Lever

10 C3190-40022 Bail engaging lever - Small item that holds one end of bail cable - Snaps into bail engaging lever support

### Roller

11 C4713-60115 Overdrive roller assembly (D-size) - Includes overdrive shaft with rollers, overdrive housing, media deflector without media button, and media deflector with media button

### Spring

12 07575-80012 Bail gear support 'claw' spring - Attached between the bail engaging lever support and the bail gear assembly

13 C3190-80013 Bail cable spring

### Support

14 C3190-40021 Bail gear support - The mount for the bail lift cam gear and the bail lift engaging gear (Part of the bail gear assembly)

15 C4713-40016 Bail engaging lever support - Mounted over the left end of the drive roller - Bail engaging lever snaps into this item

## Carriage Drive Parts

### Belt

16 C4705-60082 Carriage belt (D-size) - Long/wide belt attached to the carriage

### Bracket

17 C3190-40040 Left encoder bracket - Holds left end of encoder strip

18 C4713-40017 Right encoder bracket - Holds right end of encoder strip

### Cable

19 C4713-60181 Carriage assembly trailing cable (D-size) - Has 60 pin (F) connectors - 1.6m (5.2ft) long

### Carriage

20 C4713-60039 Pen carriage assembly - Includes PC board, line sensor, carriage height gauge, carriage bushings, and instructions

### Clamp

21 1400-1021 Cable clamp

### Clip

22 C3190-00012 Left encoder clip

23 C3190-00013 Right encoder clip

24 C3190-00086 Trailing cable clip



## Carriage Drive Parts

### Cover

- 25 C4713-40038 Carriage top cover
- C4713-40053 Carriage ink cartridge slot cover

### Guide

- 27 C4699-60052 Trailing cable guide (D-size) - Tray used to hold and guide trailing cable

### Label

- C4713-00042 Carriage label - Shows ink cartridge location

### Lubricant

- 29 6040-0858 Special lubricating oil - For carriage slider rod surface - 4oz (113g) plastic bottle of synthetic oil

### Motor

- 30 C4713-60092 Carriage motor assembly - Includes cable

### Pulley

- 31 C3190-60132 Idler pulley - For main drive belt - On left end of plotter - Includes pulley, shaft and spacer

### Spring

- 32 C4699-00016 Encoder spring

### Strip

- 33 C4713-60098 Encoder strip assembly (D-size) - Includes encoder strip and encoder strip spring

## Electronic Accessories

### Cable (Interface)

- 31391A RS-232C serial extension cable - 25 pin (M) to 25 pin (F) - 5.0m (16.4ft) long
- C2990A IEEE-1284 Bi-Tronics parallel cable - DB-25 (M) (type A) to 36 pin (M) Centronics (type B) - 1.8m (6ft) long  
NO LONGER SUPPLIED
- 5063-1256 IEEE-1284 Bi-Tronics parallel cable - DB-25 (M) connector (type A) to 36 pin Centronics (M) connector (type B) - 2.0m (6.6ft) long
- C2950A IEEE-1284 Bi-Tronics parallel cable - DB-25 (M) connector (type A) to 36 pin Centronics (M) connector (type B) - 2.0m (6.6ft) long
- 5063-1256 *New Part for C2950A*
- 5063-1257 IEEE-1284 Bi-Tronics parallel cable - DB-25 (M) connector (type A) to 36 pin Centronics (M) connector (type B) - 3.0m (9.8ft) long
- C2951A IEEE-1284 Bi-Tronics parallel cable - DB-25 (M) connector (type A) to 36 pin Centronics (M) connector (type B) - 3.0m (9.8ft) long
- C2991A IEEE-1284 Bi-Tronics parallel cable - DB-25 (M) (type A) to 36 pin (M) Centronics (type B) - 3.0m (10ft) long  
NO LONGER SUPPLIED
- 17255M RS-232C serial cable - 25 pin (M) to 25 pin (M) - 1.0m (3.3ft) long  
NO LONGER SUPPLIED
- C2913A RS-232C serial cable - 25 pin (M) to 25 pin (F) - 1.2m (3.9ft) long  
NO LONGER SUPPLIED
- 17302A RS-232C serial cable - 25 pin (M) to 8 pin (M) DIN - 1.5m (4.9ft) long  
NO LONGER SUPPLIED
- 92219M RS-232C serial cable - 25 pin (M) to 9 pin (M) - 1.5m (4.9ft) long  
NO LONGER SUPPLIED
- 17355M RS-232C serial cable - 25 pin (M) to 25 pin (M) - 3.0m (9.8ft) long  
NO LONGER SUPPLIED
- 24542G RS-232C serial cable - 25 pin (M) to 9 pin (F) - 3.0m (9.8ft) long - Used to connect to HP Vectra and IBM PC/AT compatibles
- 13242G RS-232C cable - 25 pin (M) to 25 pin (M) - 5.0m (16ft) long  
NO LONGER SUPPLIED



## Electronic Accessories

### Firmware

- C4713-60109 Firmware upgrade kit - Upgrades to version A.01.06 - Only for DesignJet 430 with color kit installed
- C6082-60074 Firmware upgrade kit - Upgrades to version A.01.06

### Interface (Product)

- J2591A External JetDirect LAN interface module and power module - Has EtherTwist (10Base-T) and ThinLAN (10Base-2) connectors  
NO LONGER SUPPLIED
- J3264A External JetDirect 500X token ring interface module - Interfaces up to 3 parallel printers to a token ring (DB-9 or RJ-45) LAN
- J3265A External JetDirect 500X LAN interface module - Interfaces up to 3 parallel printers to an ethernet 10Base-T (RJ-45), 10Base2 (BNC), or 100Base-TX (RJ-45) LAN

### Memory (Product)

- C3132A 4MB, 70nS, 36-bit SIMM memory module - For HP LaserJet 4P, 4+, 4V, 5, 5N, 5M, 5P, 5Si  
NO LONGER SUPPLIED
- C3146-67901 New Part for C3132A*
- C3133A 8MB, 70nS, 36-bit SIMM memory module - For HP LaserJet 4P, 4+, 4V, 5, 5N, 5M, 5P, 5Si  
NO LONGER SUPPLIED
- C3146-67901 New Part for C3133A*
- C3146A 16MB, 70nS, 36-bit SIMM memory module upgrade - Includes one SIMM
- C3146-67901 New Part for C3146A*
- D2297A 16MB, 70nS, 36-bit parity SIMM memory module  
NO LONGER SUPPLIED
- D3578A 32MB, 70nS, 36-bit parity SIMM memory module  
NO LONGER SUPPLIED

### Memory (SIMM)

- C3132-67901 4MB, 70nS, 36-bit parity SIMM memory module  
NO LONGER SUPPLIED
- C3146-67901 New Part for C3132-67901*
- C3133-67901 8MB, 70nS, 36-bit parity SIMM memory module  
NO LONGER SUPPLIED
- C3146-67901 New Part for C3133-67901*
- C3146-67901 16MB SIMM memory module
- D2297-69001 16MB, 70nS, 36-bit SIMM memory module  
REQUIRES RETURN OF DEFECTIVE PART
- D2297-63001 New Part for D2297-69001*
- D3578-69001 32MB, 70nS, 36-bit parity SIMM memory module  
REQUIRES RETURN OF DEFECTIVE PART
- D3578-63001 New Part for D3578-69001*

### Module

- J2591-69001 External JetDirect LAN interface module with ethertwist (10Base-T) and ThinLAN (10BASE-2) connectors
- J2593-69001 External JetDirect LAN interface module with Ethertwist (10Base-T) and ThinLAN (10BASE-2) input connectors and 3 parallel (DB-25) output connectors - (part of J2593A)
- J2594-69001 External JetDirect token ring interface module with DB-9 and RJ-45 input connectors and 3 parallel (DB-25) output connectors - (part of J2594A)  
REQUIRES RETURN OF DEFECTIVE PART
- J2594-61011 New Part for J2594-69001*

### Power Module

- 0950-3348 Wall mount power supply module (MEI-AH ED12006) - 110-127VAC input, 57-63Hz - 13VDC output, 800mA, 10.4 watts (for use in the United States and Canada) - For models J2590/91/93/94A, J2964A, J3258A/B, J3263/64/65A, J3282B, J4101A/B, J4102A/B



## Electronic Accessories

### Power Module

0950-3349	Wall mount power supply module (MEI-AH ED12007) - 230VAC input, 47-53Hz - 13VDC output, 800mA, 10.4 watts (for use in Europe and Israel) - For JetDirect/infrared interface models J2590/91/93/94A, J2964A, J3258A/B, J3263/64/65A, J3282B, J4101A/B, J4102A/B
0950-3350	Wall mount power supply module (MEI-AH ED12008) - 220-240VAC input, 47-53Hz - 13VDC output, 800mA, 10.4 watts (for use in the United Kingdom) - For JetDirect/infrared interfaces J2590/91/93/94A, J2964A, J3258A/B, J3263/64/65A, J3282B, J4101A/B, J4102A/B
0950-3351	Wall mount power supply module (MEI-AH ED12009) - 220VAC input, 47-63Hz - 13VDC output, 800mA, 10.4 watts (for use in South Korea) - For JetDirect/infrared interface models J2590/91/93/94A, J2964A, J3258A/B, J3263/64/65A, J3282B, J4101A/B, J4102A/B
0950-3352	Wall mount power supply module (MEI-AH ED12010) - 100VAC input, 47-63Hz - 13VDC output, 800mA, 10.4 watts (for use in Japan) - For JetDirect/infrared interface models J2590/91/93/94A, J2964A, J3258A/B, J3263/64/65A, J3282B, J4101A/B, J4102A/B
0950-3354	Wall mount power supply module (MEI-AH ED12010) - 220-250VAC input, 47-53Hz - 13VDC output, 800mA, 10.4 watts (for use in South Africa) - For JetDirect/infrared interface models J2590/91/93/94A, J2964A, J3258A/B, J3263/64/65A, J3282B, J4101A/B, J4102A/B
9100-5176	Wall mount power supply module (Leader Electronics 48130625HK) - 200VAC input, 48-52Hz - 13VDC output, 625mA (Hong Kong) - For JetDirect Modules and Infrared Interface Models J2590/91/93/94A, J2964A, J3258A/B, J3263/64/65A, J3282B, J4101A/B, J4102A/B
0950-3350	<i>New Part for 9100-5176</i>

## Electronics/Power Supply

### Front Panel

73	C4713-60091	Front panel assembly - Complete
----	-------------	---------------------------------

### Module

74	C4713-69203	Electronics module - Contains power supply, main logic board, interface connectors, and fan REQUIRES RETURN OF DEFECTIVE PART
	C4713-60203	<i>New Part for C4713-69203</i>

### Power Cord

8120-1351	Power cord (Mint Gray) - 17 AWG, 2.3m (7.5ft) long - Has straight (F) receptacle (For 240V in the UK, Hong Kong, Singapore, Malaysia, and Brunei)
8120-1369	Power cord (Mint Gray) - 17 AWG, 2.0m (6.6ft) long - Has straight (F) receptacle (For 240V in Australia, New Zealand, and China)
8120-1689	Power cord (Mint Gray) - 17 AWG, 2.0m (6.6ft) long - Has straight (F) receptacle (For 220V in Europe, Bangladesh, Indonesia, Pakistan, Burma, Sri Lanka, and Vietnam)
8120-1751	Power cord (Black) - 18 AWG, 2.3m (7.5ft) long - Has straight (F) receptacle (For 120V, 10A in the USA, Canada, Chile, Argentina, and Taiwan)
8120-2104	Power cord (Mint Gray) - 2.0m (6.6ft) long - Has straight (F) receptacle (For 220V in Switzerland)
8120-2956	Power cord (Mint Gray) - 2.0m (6.6ft) long - Has straight (F) receptacle (For 220V in Denmark)
8120-4753	Power cord (Flint Gray) - 18 AWG, 2.3m (7.5ft) long - Has straight (F) receptacle (For 100V in Japan)

## Other Accessories

### CD-ROM (Support)

C7769-90066	DesignJet support CD ROM - Version A.04.01 - Has product information, user's manuals, service manuals, diagnostic software, test drawings, newsletters, and service notes
-------------	---

### Cartridge

51640A	Black print cartridge (w/ level indicator) - Prints approx.1120 pages based on 5% density on a 8 inch by 10 inch print area (for USA)
51640AA	Black print cartridge (with level indicator) - Prints approx.1120 pages based on 5% density on a 8 inch by 10 inch print area (for Asia/Pacific)
51640AE	Black print cartridge (with level indicator) - Prints approx.1120 pages based on 5% density on a 8 inch by 10 inch print area (for Europe)
51640AL	Black print cartridge (with level indicator) - Prints approx.1120 pages based on 5% density on a 8 inch by 10 inch print area (for Latin America)



## Other Accessories

### Cleaning Supplies

C6247A DesignJet cleaning kit - Includes cleaning solution and 20 cleaning rags

### Lubricant

88 6040-0858 Special lubricating oil - For carriage slider rod surface - 4oz (113g) plastic bottle of synthetic oil

89 C3190-60155 Grease - For helical gear (Drive roller gear)

### Manual

5959-9733 HP-GL/2 & HP RTL reference guide - Programming information, handbook for developers

5959-9734 Comparison guide for HP-GL/2 and RTL peripherals (English)

### Manual Kit

5021-0377 HP-GL/2, PCL5 and PJI technical reference manual kit

C4713-60041 Manual kit - Includes quick reference guide, user guide and unpacking/assembly instructions (English)

C4713-60045 Manual kit - Includes quick reference guide, user guide and unpacking/assembly instructions (French)

C4713-60046 Manual kit - Includes quick reference guide, user guide and unpacking/assembly instructions (Spanish)

C4713-60048 Manual kit - Includes quick reference guide, user guide and unpacking/assembly instructions (Japanese)

C4713-60049 Manual kit - Includes quick reference guide, user guide and unpacking/assembly instructions (Portuguese)

C4713-60187 Manual kit - Includes quick reference guide, user guide and unpacking/assembly instructions (Italian)

C6082-60002 Manual kit - Includes quick reference guide, user guide and unpacking/assembly instructions (Korean)

C6082-60003 Manual kit - Includes quick reference guide, user guide and unpacking/assembly instructions (Taiwan)

C6082-60010 Manual kit - Includes quick reference guide, user guide and unpacking/assembly instructions (Simplified Chinese)

### Return Kit

5183-5268 Return kit with box and instructions - For returning defective Thermal InkJet (TIJ) 2.5 InkJet cartridges covered under the CREW program - For USA

5184-2833 Return kit with box and instructions - For returning defective Thermal InkJet (TIJ) 2.5 InkJet cartridges covered under the CREW program - For use outside of the USA

### Software

C4713-10041 DesignJet 430/450C/455CA Toolbox for Windows 95 (English) - On 3.5-inch floppy disk

C6072-60281 Toolbox and driver software - HP-GL/2 and RTL drivers for Windows 3.1/95/98/NT 4.0 (all DesignJets), and toolbox software for Windows 95/NT 4.0 (Only for DesignJet 430/450C/455CA/1050C/1055CM) - On 3.5-inch 1.44MB floppy disks (English)

C6072-60284 Toolbox and driver software - HP-GL/2 and RTL drivers for Windows 3.1/95/98/NT 4.0 (all DesignJets), and toolbox software for Windows 95/NT 4.0 (Only for DesignJet 430/450C/455CA/1050C/1055CM) - On 3.5-inch 1.44MB floppy disks (German)

C6072-60285 Toolbox and driver software - HP-GL/2 and RTL drivers for Windows 3.1/95/98/NT 4.0 (all DesignJets), and toolbox software for Windows 95/NT 4.0 (Only for DesignJet 430/450C/455CA/1050C/1055CM) - On 3.5-inch 1.44MB floppy disks (French)

C6072-60286 Toolbox and driver software - HP-GL/2 and RTL drivers for Windows 3.1/95/98/NT 4.0 (all DesignJets), and toolbox software for Windows 95/NT 4.0 (Only for DesignJet 430/450C/455CA/1050C/1055CM) - On 3.5-inch 1.44MB floppy disks (Spanish)

C6072-60287 Toolbox and driver software - HP-GL/2 and RTL drivers for Windows 3.1/95/98/NT 4.0 (all DesignJets), and toolbox software for Windows 95/NT 4.0 (Only for DesignJet 430/450C/455CA/1050C/1055CM) - On 3.5-inch 1.44MB floppy disks (Italian)

C6072-60301 HP-GL/2 driver software for AutoCAD - For DOS and Windows 3.1/95/NT 4.0 - On 3.5-inch 1.44MB floppy disks (English)

C6072-60304 HP-GL/2 driver software for AutoCAD - For DOS and Windows 3.1/95/NT 4.0 - On 3.5-inch 1.44MB floppy disks (German)

C6072-60305 HP-GL/2 driver software for AutoCAD - For DOS and Windows 3.1/95/NT 4.0 - On 3.5-inch 1.44MB floppy disks (French)

C6072-60306 HP-GL/2 driver software for AutoCAD - For DOS and Windows 3.1/95/NT 4.0 - On 3.5-inch 1.44MB floppy disks (Spanish)



## Other Accessories

### Software

C6072-60307 HP-GL/2 driver software for AutoCAD - For DOS and Windows 3.1/95/NT 4.0 - On 3.5-inch 1.44MB floppy disks (Italian)

### Training Kit

C4713-60118 Self-paced training kit for DesignJet 430/450C/455CA/488CA - Includes video in PAL format, and CD-ROM containing user's and service manuals

C4713-60119 Self-paced training kit for DesignJet 430/450C/455CA/488CA - Includes video in NTSC format, and CD-ROM containing user's and service manuals

### Upgrade Kit

C4718A Color upgrade kit - Includes ink cartridges, firmware SIMM, driver software, carriage label, front panel overlay, and instructions - Adds color capabilities to the DesignJet 430

## Other External Parts

### Clip

C4699-60072 Cable clip

### Cover

119 C4713-00011 SIMM cover plate

120 C4713-40029 Left end cover

121 C4713-60014 Top cover assembly (D-size)

122 C4713-60030 Right end cover

123 C4713-60097 Back cover assembly (D-size)

### Deflector

124 C4713-60117 Media deflector with media button - The media deflector furthest to the right side - Includes media load button

### Guide

125 C4713-60184 Rollfeed guide kit - Left and right guides mounted under printer - Used to attach rollfeed housings to the printer

### Holder

C3190-40052 Holder - For quick reference guide

### Keycap

127 C4713-40046 Power switch button/keycap

### Label

5961-3524 Serial number label

C4705-00017 Instruction label

### Nameplate/Logo

C4713-00013 Nameplate - DesignJet 430

### Overlay

C4713-60171 Front panel overlay (Self adhesive) - Shows the function of the front panel buttons and indicator lights (English)

C4713-60172 Front panel overlay (Self adhesive) - Shows the function of the front panel buttons and indicator lights (Korean)

C4713-60173 Front panel overlay (Self adhesive) - Shows the function of the front panel buttons and indicator lights (Taiwanese)

C4713-60174 Front panel overlay (Self adhesive) - Shows the function of the front panel buttons and indicator lights (German)

C4713-60175 Front panel overlay (Self adhesive) - Shows the function of the front panel buttons and indicator lights (French)

C4713-60176 Front panel overlay (Self adhesive) - Shows the function of the front panel buttons and indicator lights (Spanish)

C4713-60177 Front panel overlay (Self adhesive) - Shows the function of the front panel buttons and indicator lights (Italian)

C4713-60178 Front panel overlay (Self adhesive) - Shows the function of the front panel buttons and indicator lights (Japanese)

C4713-60179 Front panel overlay (Self adhesive) - Shows the function of the front panel buttons and indicator lights (Portuguese)

C4713-60180 Front panel overlay (Self adhesive) - Shows the function of the front panel buttons and indicator lights (Chinese)



### Other External Parts

#### Platen

- 141 C4713-60114 Entry Platen Assembly (D-size) - Curved cover/guide that is next to the paper drive (Platen) roller

### Other Internal Parts

#### Cover

- C4713-40042 Primer cover

#### Cutter

- 143 C4713-60040 Cutter assembly - Mounts on carriage slide rod to the right of the carriage

#### Primer

- 144 C4713-60023 Primer assembly - Mounted on left side of plotter

#### Service Station

- 145 C3190-60142 Service station assembly

#### Spittoon

- 146 C4713-60017 Spittoon assembly - Contains absorbers which hold excess ink from cartridges

#### Trim

- 147 C4713-40022 Right trim assembly - At right of entry platen

- 148 C4713-40023 Left trim assembly - At left of entry platen

### Paper Drive Parts

#### Cable

- 174 C3180-60012 Ribbon cable - Has 5 pin (F) connectors - 16.3cm (6.4 inches) long

#### Lubricant

- 175 C3190-60155 Grease - For helical gear (Drive roller gear)

#### Motor/Gear

- 176 C4713-60094 Paper (X-axis) drive motor (Includes helical drive gear) - NOTE: motor and gear are only sold as an assembly

#### Roller

- 177 C4699-60042 Paper drive (Platen) roller assembly - Long gear driven roller - Includes roller and mark encoder

### Paper and Other Media

#### Film (Clear)

- C3876A Clear film (4 mil) - 61cm (24in) x 22.9m (75ft) roll

#### Film (Matte)

- 51642C Polyester matte film - B size (11 x 17-inches) - 40 sheets  
NO LONGER SUPPLIED

- 51642A *New Part for 51642C*

- 51642F Polyester matte film - A3 size (29.7cm x 42.0cm) - 40 sheets  
NO LONGER SUPPLIED

- 51642G Polyester matte film - D size (22 x 34-inches) - 40 sheets  
NO LONGER SUPPLIED

- 51642A *New Part for 51642G*

- 51642H Polyester matte film - A1 size (59.4cm x 84.1cm) - 40 sheets  
NO LONGER SUPPLIED

- 51642A Polyester matte film - 61cm (24in) x 36.6m (120ft) roll

- 51642J Polyester matte film - Architectural D size (24 x 36-inches) - 40 sheets  
NO LONGER SUPPLIED

- 51642A *New Part for 51642J*



## Paper and Other Media

### Paper (Bright White)

- C1860A Bright white InkJet paper - 61cm (24in) x 45.7m (150ft) roll
- C6035A Bright white InkJet paper - 61cm (24in) x 45.7m (150ft) roll

### Paper (Coated)

- C1831A Coated paper - D size (22 x 34-inches) - 100 sheets  
NO LONGER SUPPLIED
- C1835A Coated paper - A1 size (59.4cm x 84.1cm) - 125 sheets  
NO LONGER SUPPLIED
- C1833A Coated paper - Architectural D size (24 x 36-inches) - 100 sheets  
NO LONGER SUPPLIED
- C3880A Heavyweight coated paper (6 mil) - 61cm (24in) x 30.5m (100ft) roll  
NO LONGER SUPPLIED
- C6019B Coated paper (98 gsm) - 61cm (24in) x 45.7m (150ft) roll (USA, Canada, and Latin America)
- C6021B Heavyweight coated paper - 61cm (24in) x 30.5m (100ft) roll (USA, Canada, and Latin America)  
NO LONGER SUPPLIED
- C6029B Heavyweight coated paper - 61cm (24in) x 30.5m (100ft) roll (Europe, Asia/Pacific, and Japan)  
NO LONGER SUPPLIED
- C6029C Heavyweight coated paper - 61cm (24in) x 30.5m (100ft) roll - For regular or UV resistant ink

### Paper (Tracing)

- C3869A Natural tracing paper - 61cm (24in) x 45.7m (150ft) roll

### Paper (Translucent)

- C3891A Translucent bond paper - D size (22 x 34-inches) - 100 sheets  
NO LONGER SUPPLIED
- C3893A Translucent bond paper - A1 size (59.4cm x 84.1cm) - 125 sheets  
NO LONGER SUPPLIED
- C3860A Translucent bond paper - 61cm (24in) x 45.7m (150ft) roll
- C3896A Translucent bond paper - Architectural D size (24 x 36-inches) - 100 sheets  
NO LONGER SUPPLIED

### Vellum

- C3864A Vellum (75 gsm) - D size (22 x 34-inches), 20 lb, 3.0 mil - 100 sheets  
NO LONGER SUPPLIED
- C3862A Vellum - 61cm (24in) x 45.7m (150ft) roll
- C3866A Vellum (75 gsm) - Architectural D size (24 x 36-inches), 20 lb, 3.0 mil - 100 sheets  
NO LONGER SUPPLIED
- C3862A *New Part for C3866A*

## Pincharm Assembly Parts

### Bushing

- 178 C1633-40082 Pincharm spring retaining bushing

### Cam

- 179 C2847-20005 Pinch arm bar cam (D-size) - Long rod from left to right side of printer - Used to lift the pinch arms
- 180 C3190-60149 Left cam journal - Mounted on left end of pincharm shaft

### Handle

- 181 C4713-40025 Pinchwheel manual lift handle - Paper loading lever

### Lever Assembly

- 182 C4713-60116 Right cam journal assembly - 2 levers and a metal rod

### Pincharm

- 183 C4699-60081 Pincharm assembly - Curved black plastic plate with 4 small rubber rollers (Does NOT include spring or bushing)

**Pincharm Assembly Parts**
**Sensor**

184 C4713-60034 Pincharm sensor assembly

**Spring**

185 C1633-80005 Compression spring between pincharm assembly and bushing

186 C4713-80003 Pincharm spring

**Roll Feed Assembly Parts**
**End Cap**

C3174-40011 Spindle end cap (2in)

**Extension**

188 C4713-60038 Media extension kit - Includes 3 extensions

**Guide**

189 C4713-60184 Rollfeed guide kit - Left and right guides mounted under printer - Used to attach rollfeed housings to the printer

**Hub**

C4713-60120 Spindle hub kit, small size - Includes 2 small hubs and install guide - (China)

**Rollfeed Kit**

C4717A D/A1 rollfeed kit - Includes left and right housing, hubs, spindle, end caps, screwdriver, and screws

**Spindle**

C4717-60005 D/A1 rollfeed spindle rod assembly - Includes spindle, hubs, and end caps

**Spindle Kit**

C6238A D/A1 rollfeed spindle rod assembly for DesignJet 4xx Series - Includes spindle, hubs, and end caps

**Stand Parts**
**Bin**

194 C4704-60073 Media bin arm (Loop assembly)

C4713-60147 *New Part for C4704-60073*

**Cross-Brace**

195 C6069-60002 Cross-brace (D-size) - Main structure that extends between stand legs

**Foot**

196 C4704-60086 Foot assembly (includes casters)

**Hardware Kit**

197 C4704-60095 Hardware kit for printer stand - Includes screwdriver, screws, washers, and media bin retaining clips

**Leg**

198 C4704-60075 Leg assembly - Side support for the plotter - Does NOT include the foot assembly

**Stand**

C6069A HP DesignJet Stand (D/A1) - Includes legs, casters, brace, wire form paper deflector, and media bin - For D/A1 size DesignJets

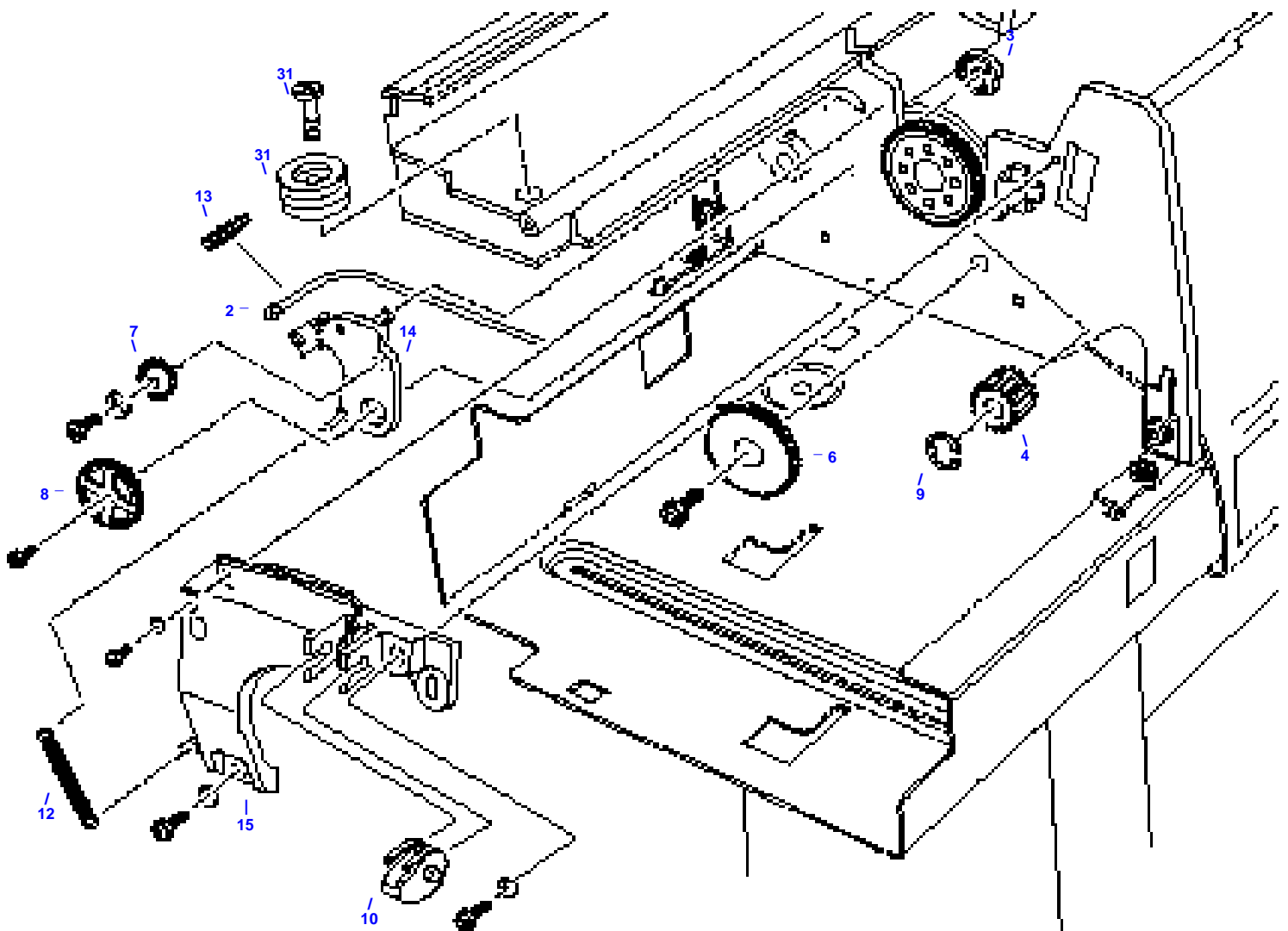
**Strip**

200 C6069-40001 Capping strips (D-size) - Two strips snap together on the ends of the bin arms - Package contains 2 strips

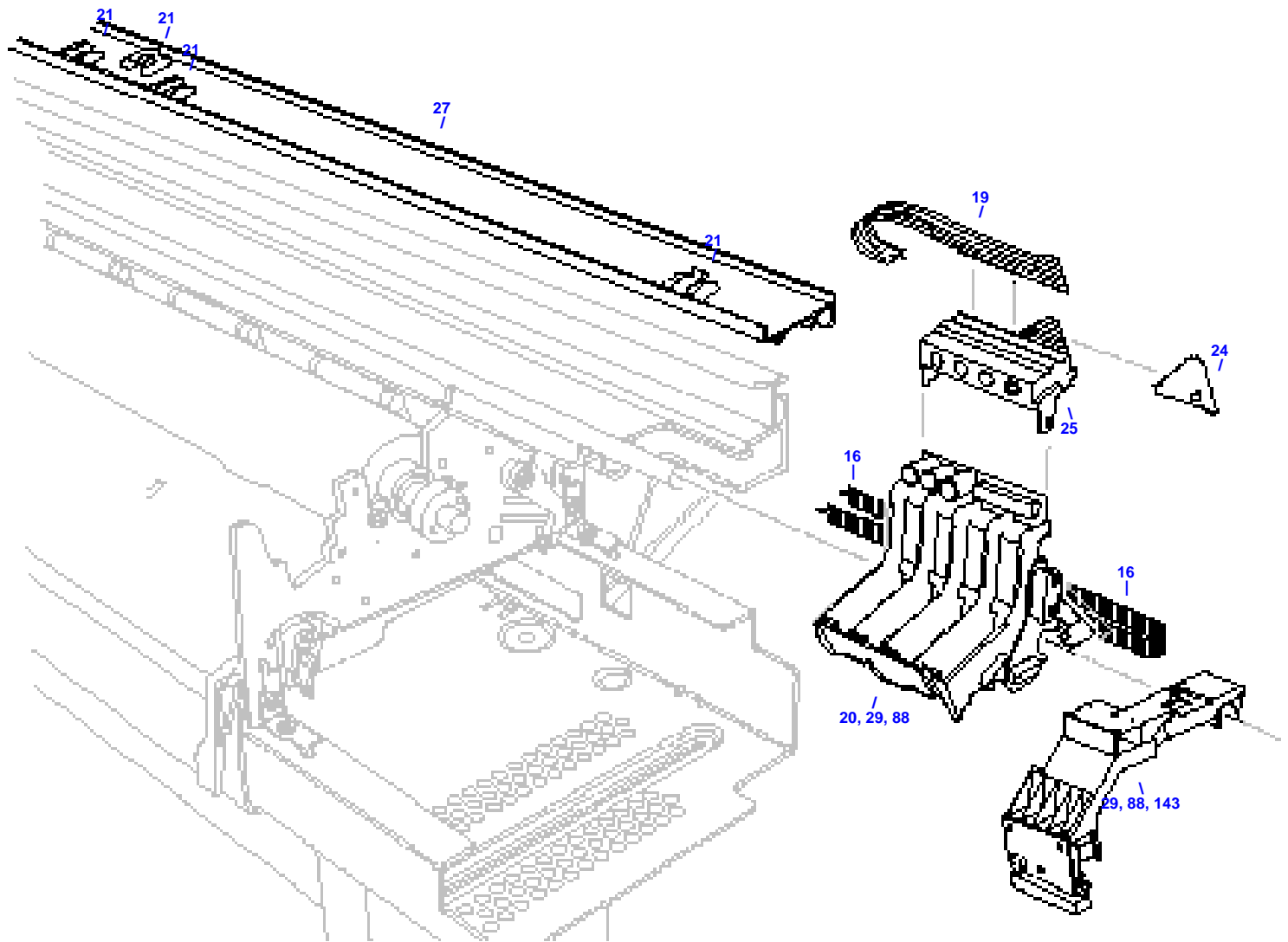
**Support**

201 C4713-60147 Media bin support kit (D-size) - Supports media bin arms - Includes two supports and two capping strips that snap together on the ends of the bin arms

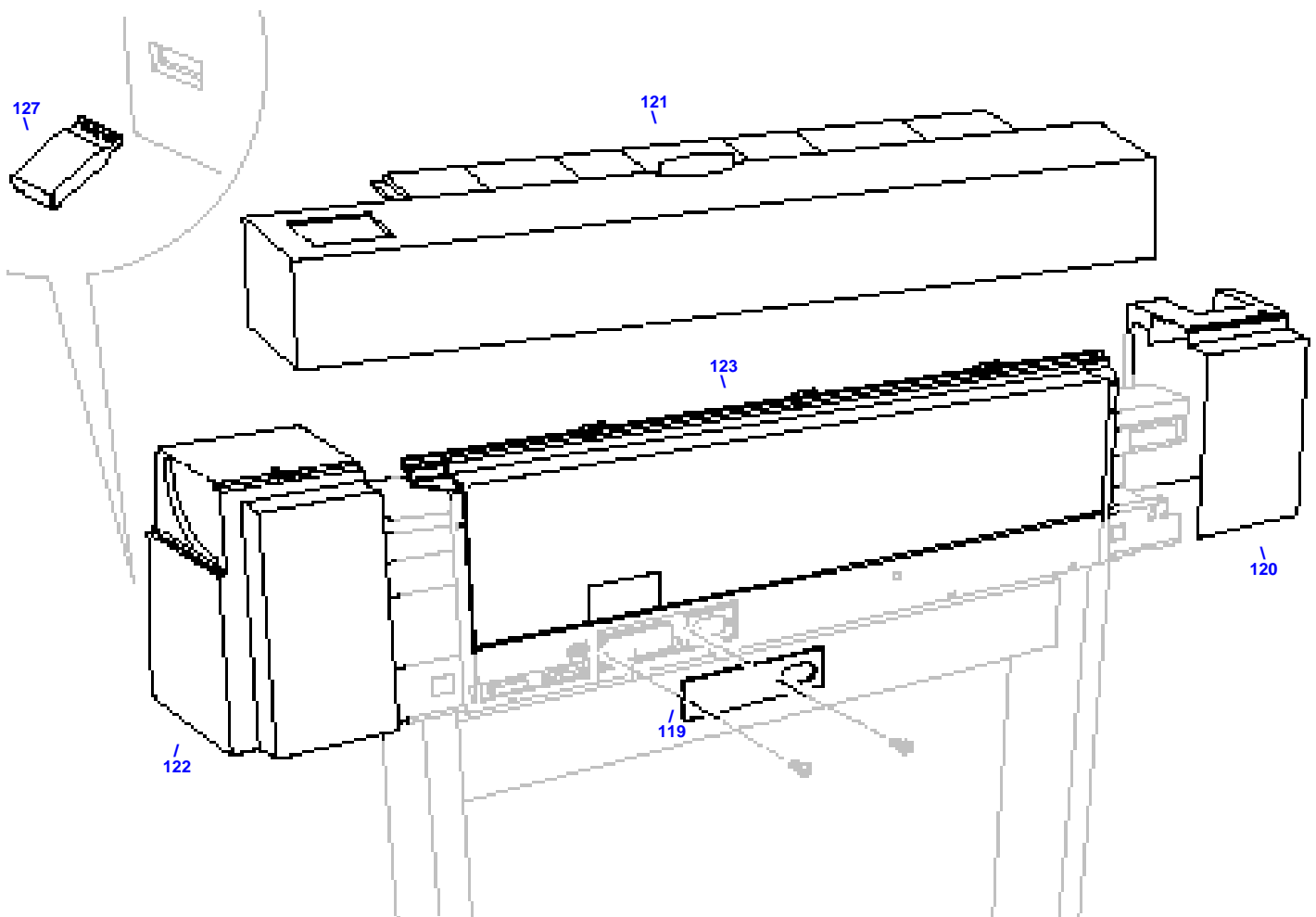
**Bail Mechanism, Overdrive Mechanism**



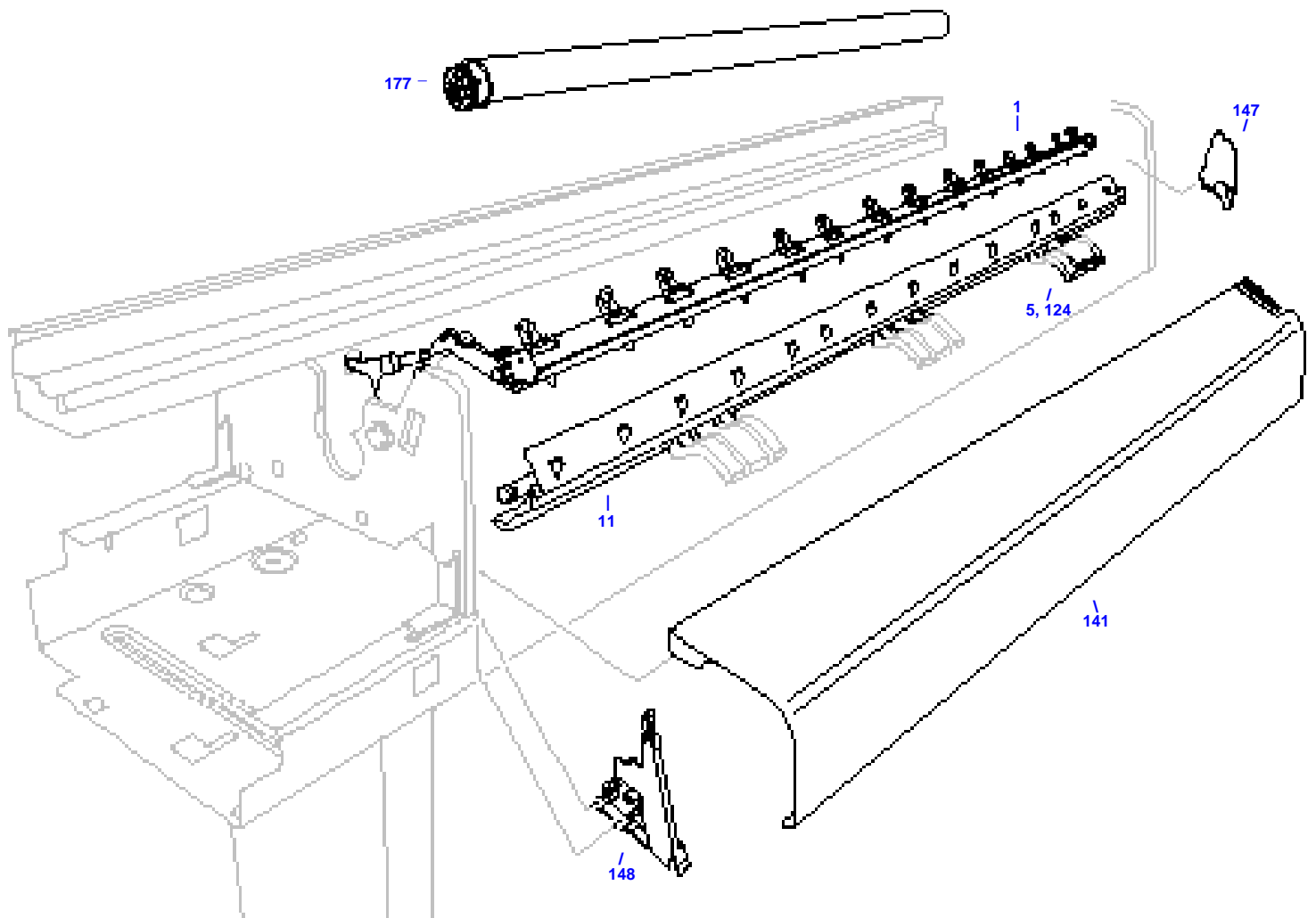
Carriage Assembly, Cutter Assembly, Trailing Cable



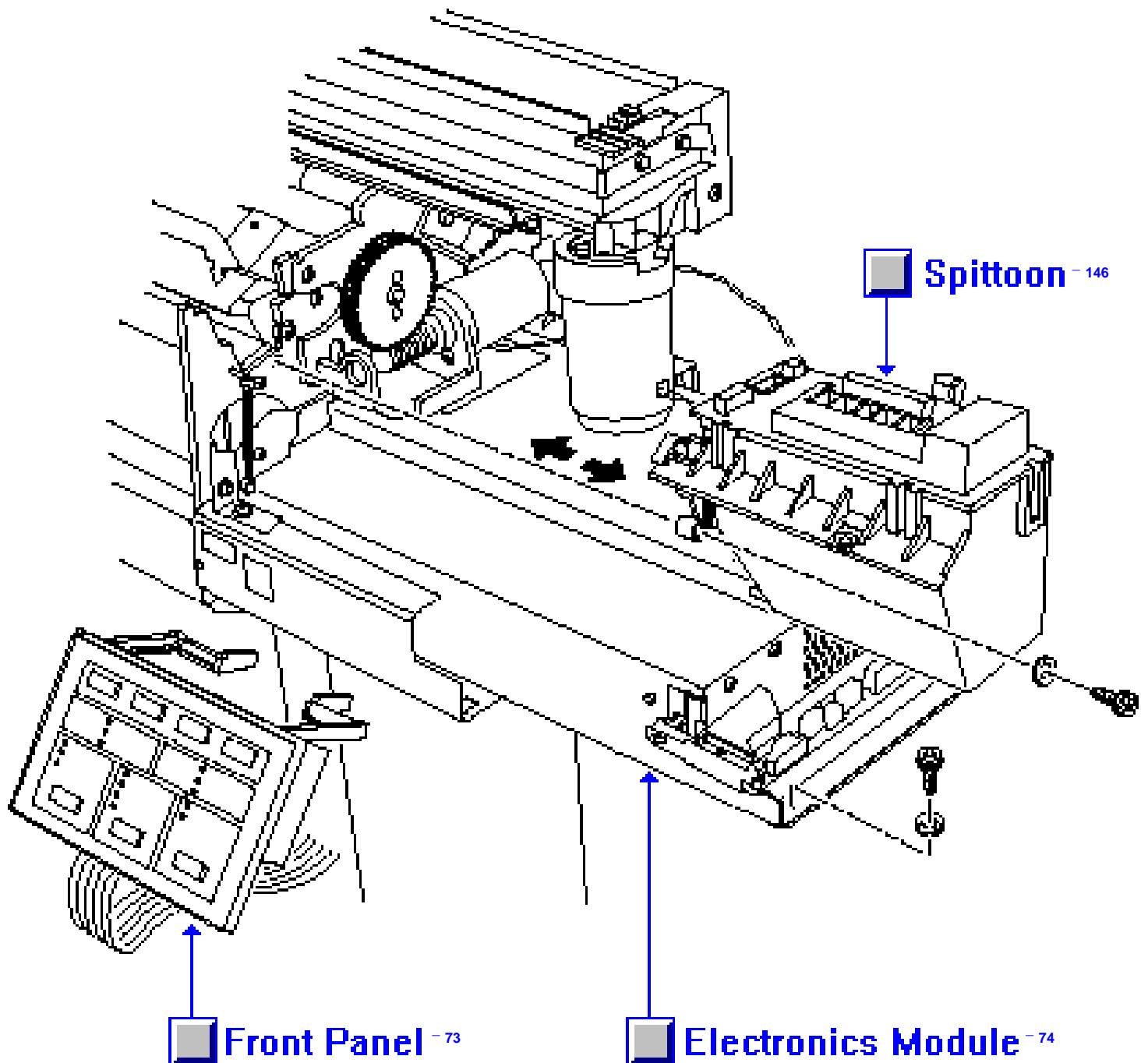
**Covers**



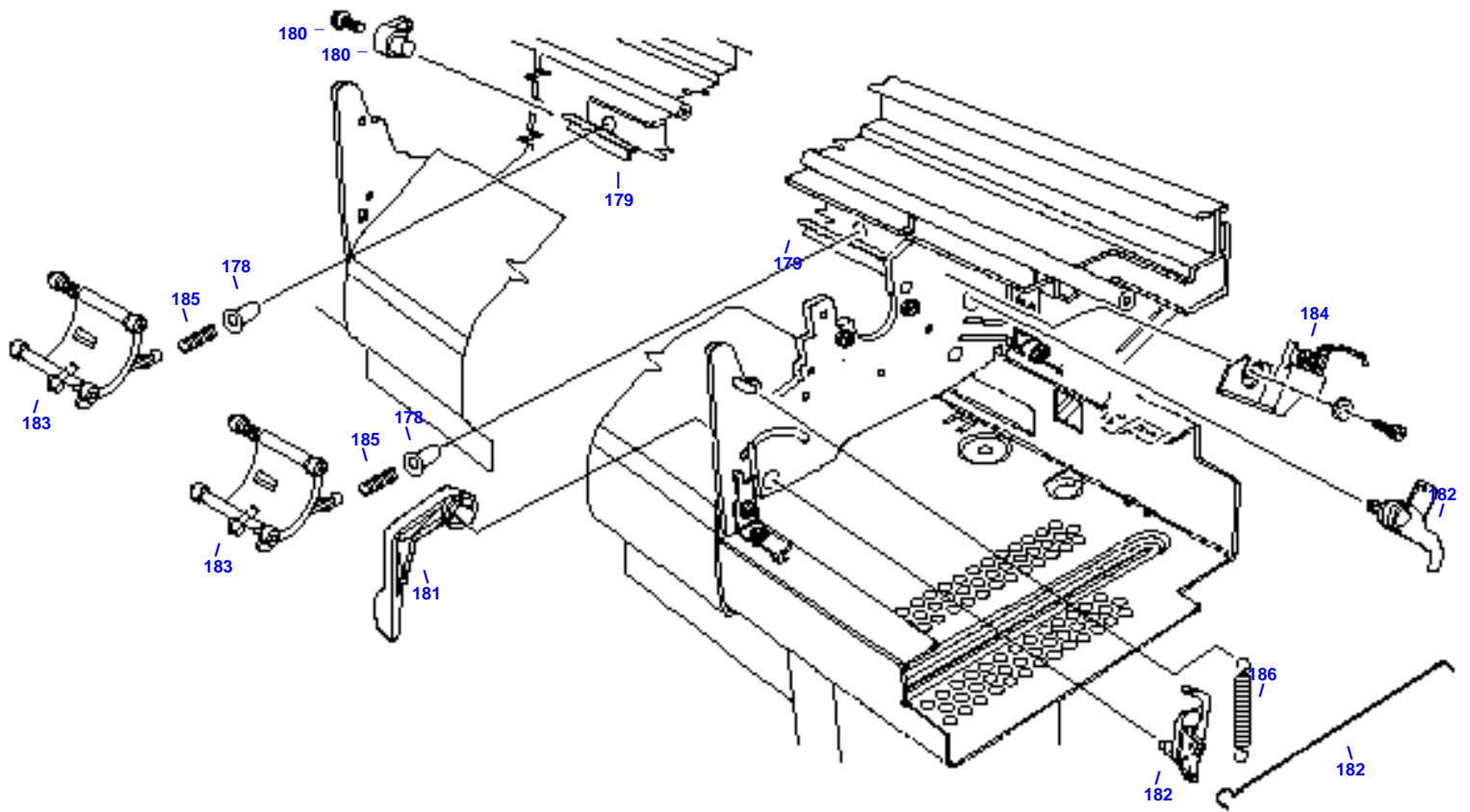
Entry Platen, Drive Roller, Bail Assy, Overdrive Assy



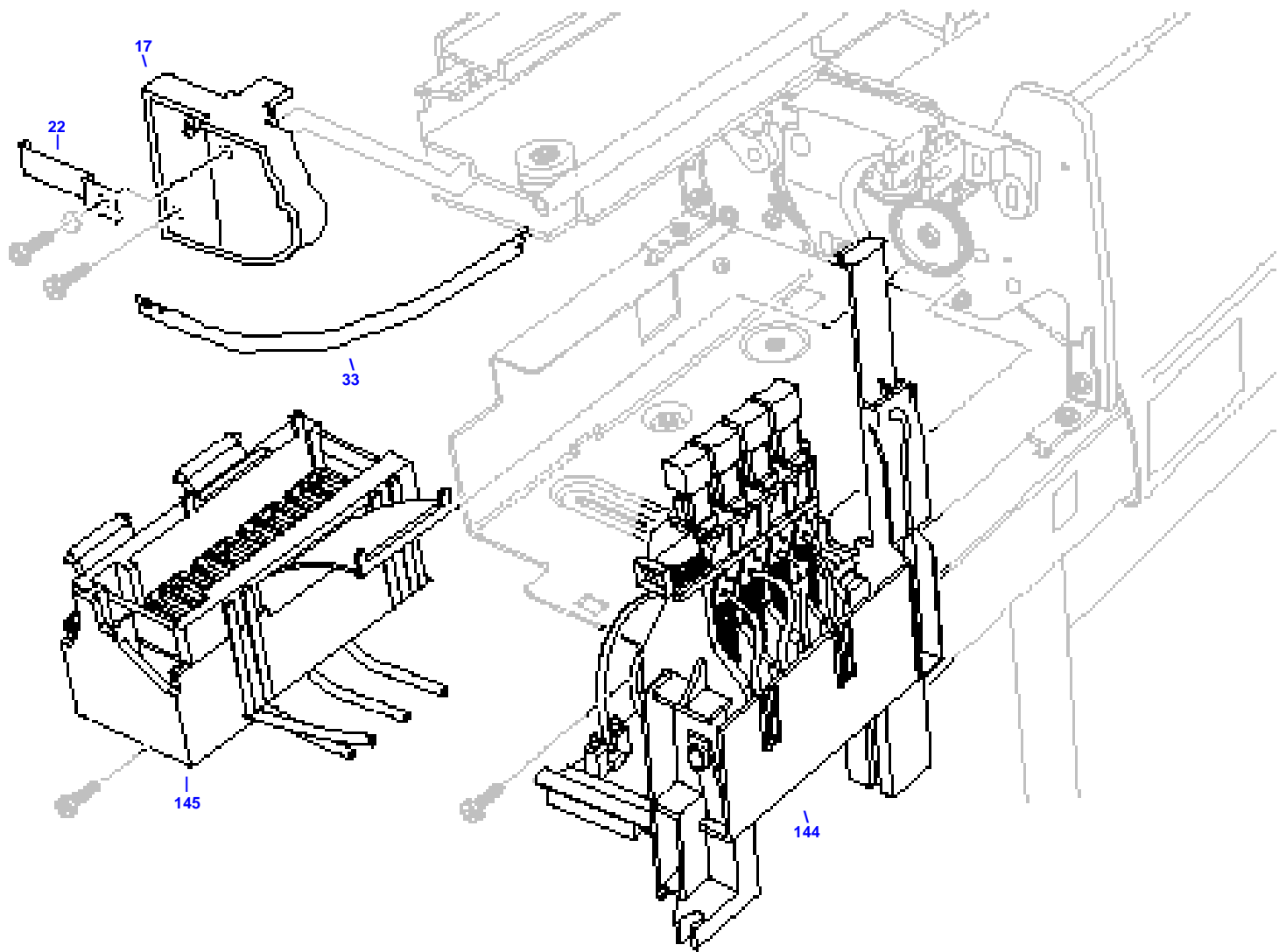
Front Panel, Electronics Module, Spittoon



Pincharm Assembly

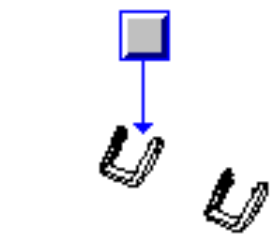


Primer Assembly, Service Station Assembly

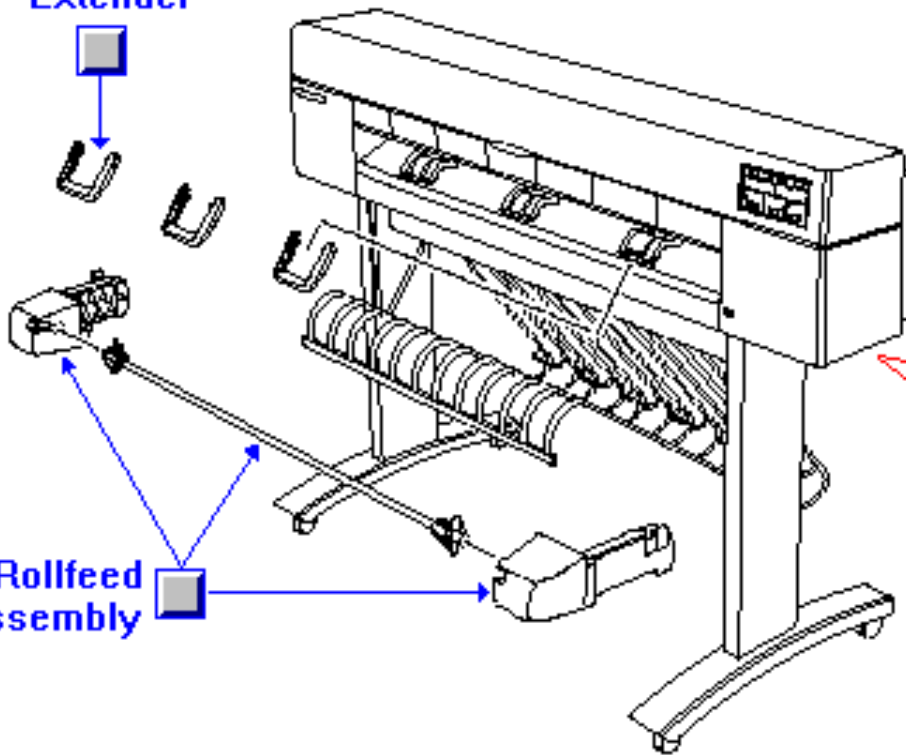


Rollfeed Assembly and Media Extenders

188 - Extender

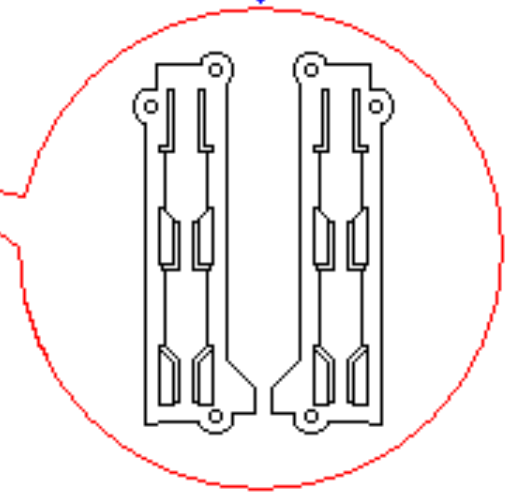


Rollfeed Assembly

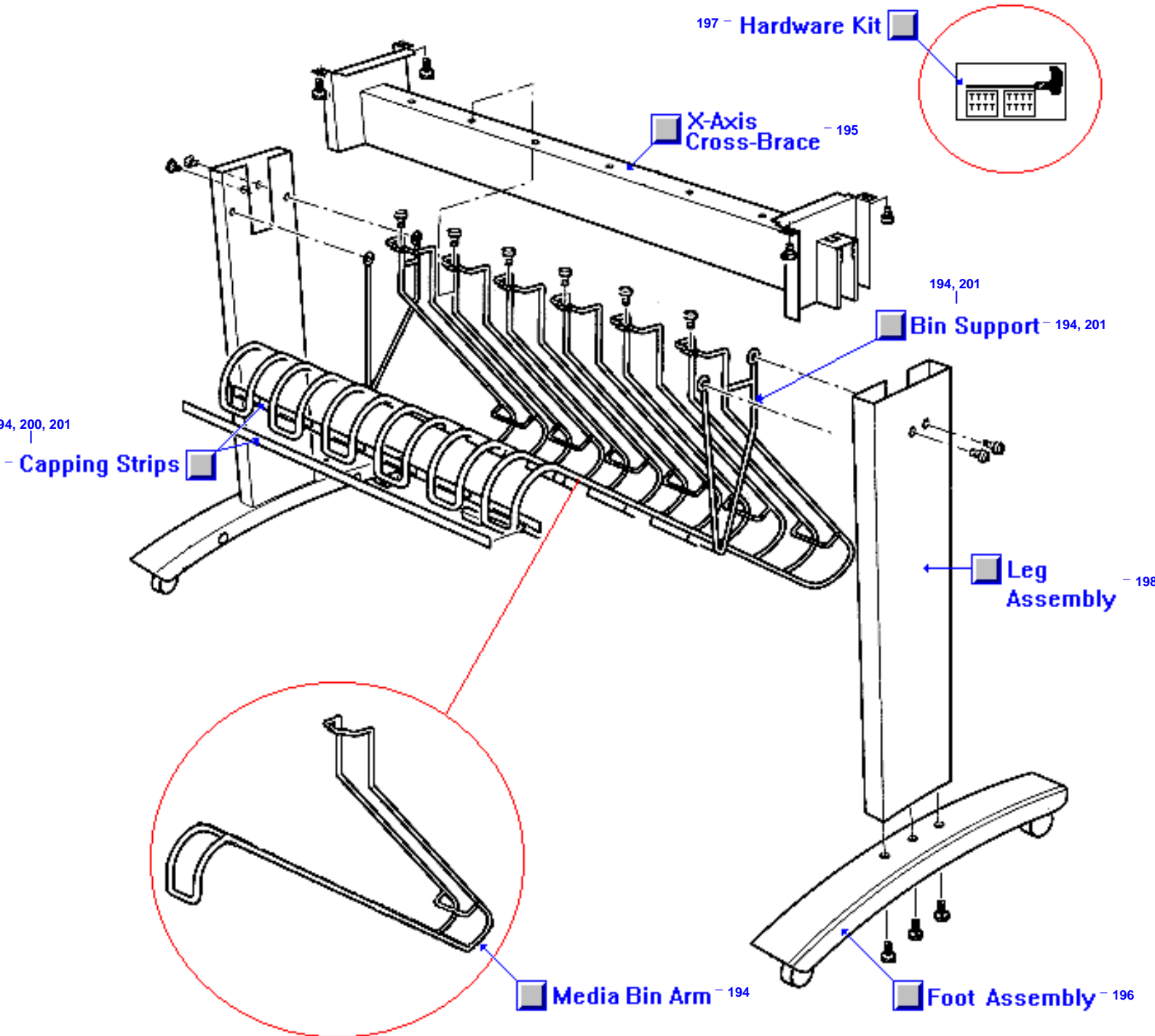


125, 189 -

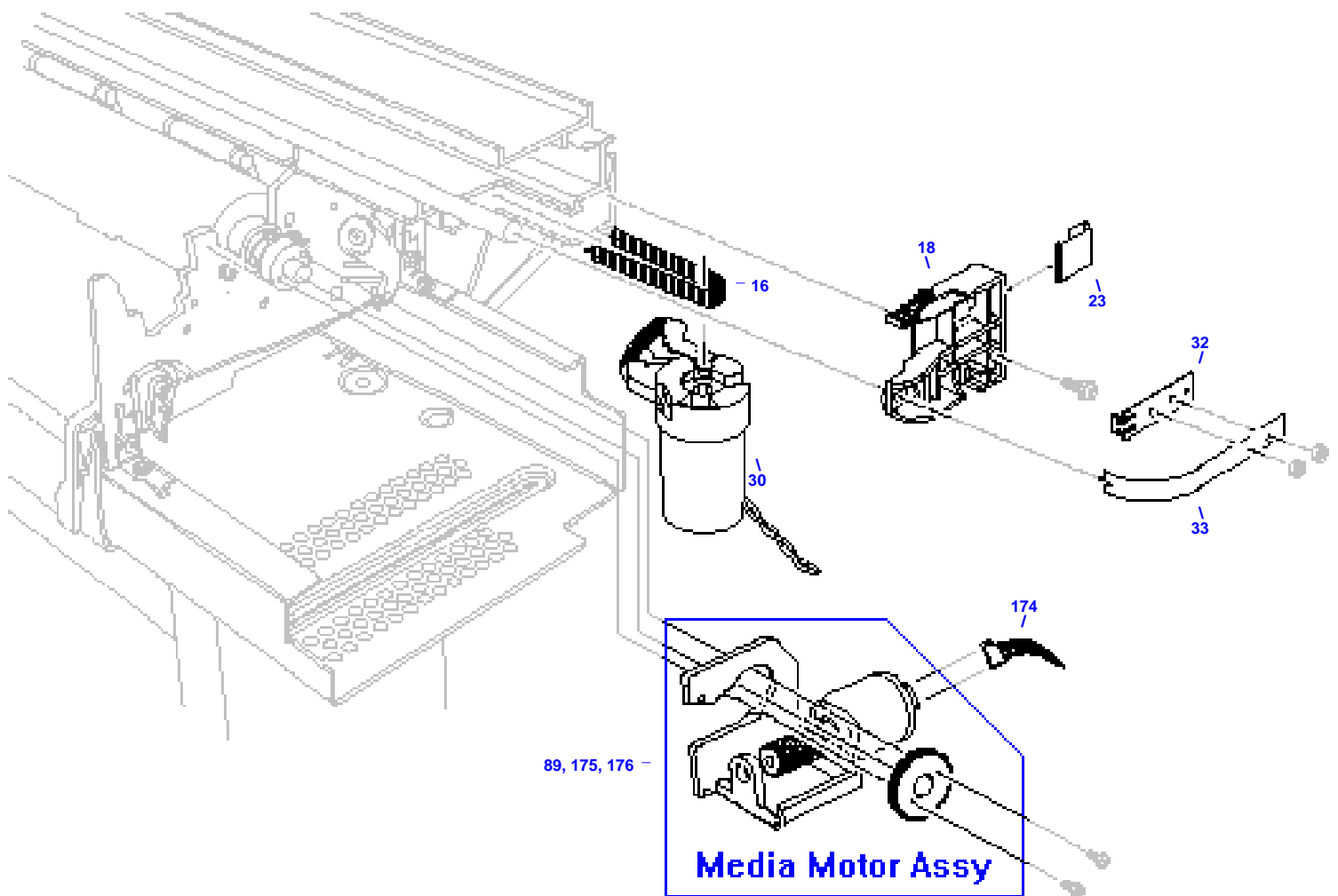
Rollfeed Guide



Stand Assembly



X and Y Axis Motors, Encoder Strip





**HP Parts Reference Guide**

<http://www.hp.com/go/parts>

**HP PartSurfer**

<http://partsurfer.hp.com>

**HP Parts Ordering Information**

<http://www.hp.com/go/hpparts>

**HP Parts Questions/Comments**

<http://partsurfer.hp.com/contactus.htm>