



## Carriage Drive Parts

### Belt

1 C4705-60082 Carriage belt (D-size) - Long/wide belt attached to the carriage

### Cable

2 C4713-60181 Carriage assembly trailing cable (D-size) - Has 60 pin (F) connectors - 1.6m (5.2ft) long

### Carriage

3 C4699-60082 Carriage assembly - Includes carriage PC board  
NO LONGER SUPPLIED

### Label

4 C3178-00030 Carriage label - Shows ink cartridge location

### Motor

5 C3190-60145 Carriage motor assembly  
NO LONGER SUPPLIED

### Pulley

6 C3190-60132 Idler pulley - For main drive belt - On left end of plotter - Includes pulley, shaft and spacer

### Spring

7 C3190-80010 Belt tensioner spring

### Strip

8 C4713-60098 Encoder strip assembly (D-size) - Includes encoder strip and encoder strip spring

## Electronic Accessories

### Cable (Interface)

17302A RS-232C serial cable - 25 pin (M) to 8 pin (M) DIN - 1.5m (4.9ft) long  
NO LONGER SUPPLIED

24542G RS-232C serial cable - 25 pin (M) to 9 pin (F) - 3.0m (9.8ft) long - Used to connect to HP Vectra and IBM PC/AT compatibles

31391A RS-232C serial extension cable - 25 pin (M) to 25 pin (F) - 5.0m (16.4ft) long

5063-1256 IEEE-1284 Bi-Tronics parallel cable - DB-25 (M) connector (type A) to 36 pin Centronics (M) connector (type B) - 2.0m (6.6ft) long

5063-1257 IEEE-1284 Bi-Tronics parallel cable - DB-25 (M) connector (type A) to 36 pin Centronics (M) connector (type B) - 3.0m (9.8ft) long

C2913A RS-232C serial cable - 25 pin (M) to 25 pin (F) - 1.2m (3.9ft) long  
NO LONGER SUPPLIED

C2950A IEEE-1284 Bi-Tronics parallel cable - DB-25 (M) connector (type A) to 36 pin Centronics (M) connector (type B) - 2.0m (6.6ft) long

5063-1256 *New Part for C2950A*

C2951A IEEE-1284 Bi-Tronics parallel cable - DB-25 (M) connector (type A) to 36 pin Centronics (M) connector (type B) - 3.0m (9.8ft) long

C2990A IEEE-1284 Bi-Tronics parallel cable - DB-25 (M) (type A) to 36 pin (M) Centronics (type B) - 1.8m (6ft) long  
NO LONGER SUPPLIED

C2991A IEEE-1284 Bi-Tronics parallel cable - DB-25 (M) (type A) to 36 pin (M) Centronics (type B) - 3.0m (10ft) long  
NO LONGER SUPPLIED

### Memory (Product)

19 C3131A 2MB, 70nS, 36-bit SIMM memory module - For HP LaserJet 4P, 4+, 4V, 5, 5N, 5M, 5P, 5Si  
NO LONGER SUPPLIED

C3146-67901 *New Part for C3131A*

20 C3132A 4MB, 70nS, 36-bit SIMM memory module - For HP LaserJet 4P, 4+, 4V, 5, 5N, 5M, 5P, 5Si  
NO LONGER SUPPLIED

C3146-67901 *New Part for C3132A*

21 C3133A 8MB, 70nS, 36-bit SIMM memory module - For HP LaserJet 4P, 4+, 4V, 5, 5N, 5M, 5P, 5Si  
NO LONGER SUPPLIED

C3146-67901 *New Part for C3133A*



## Electronic Accessories

### Memory (SIMM)

22	C3131-67901	2MB, 32-bit SIMM memory module NO LONGER SUPPLIED
	C3146-67901	<i>New Part for C3131-67901</i>
23	C3132-67901	4MB, 70nS, 36-bit parity SIMM memory module NO LONGER SUPPLIED
	C3146-67901	<i>New Part for C3132-67901</i>
24	C3133-67901	8MB, 70nS, 36-bit parity SIMM memory module NO LONGER SUPPLIED
	C3146-67901	<i>New Part for C3133-67901</i>
25	C3146-67901	16MB SIMM memory module

## Electronics/Power Supply

### Control Panel

26	C3190-60144	Control panel assembly - Mounts in right side cover - Includes control panel, panel support, and cover sensor
----	-------------	---

### Firmware

27	C4699-60074	ROM SIMM (Rev A.01.06) - Plugs into main logic board slot
----	-------------	---

### Module

28	C4699-69039	Electronics module - Contains power supply, main logic board, interface connectors, and fan NO LONGER SUPPLIED
----	-------------	---

### Power Cord

8120-0698	Power cord (Black) - 18 AWG, 2.3m (7.5ft) long - Has straight (F) receptacle (For 220V/240V in the USA and Canada)
8120-1351	Power cord (Mint Gray) - 17 AWG, 2.3m (7.5ft) long - Has straight (F) receptacle (For 240V in the UK, Hong Kong, Singapore, Malaysia, and Brunei)
8120-1369	Power cord (Mint Gray) - 17 AWG, 2.0m (6.6ft) long - Has straight (F) receptacle (For 240V in Australia, New Zealand, and China)
8120-1378	Power cord (Jade Gray) - 18 AWG, 2.3m (7.5ft) long - Has straight (F) receptacle (For 120V in USA, Canada, Latin America, Korea, Taiwan, Thailand, Spain, Brazil, and Vietnam)
8120-1689	Power cord (Mint Gray) - 17 AWG, 2.0m (6.6ft) long - Has straight (F) receptacle (For 220V in Europe, Bangladesh, Indonesia, Pakistan, Burma, Sri Lanka, and Vietnam)
8120-2104	Power cord (Mint Gray) - 2.0m (6.6ft) long - Has straight (F) receptacle (For 220V in Switzerland)
8120-2956	Power cord (Mint Gray) - 2.0m (6.6ft) long - Has straight (F) receptacle (For 220V in Denmark)
8120-4211	Power cord (Mint Gray) - 17 AWG, 2.0m (6.6ft) long - Has straight (F) receptacle (For 240V in South Africa and India)

## External Case Parts

### Cover

37	C3190-60082	Rear cover - Has cutouts to access SIMM slot, interface connectors, and AC receptacle NO LONGER SUPPLIED
38	C4699-00015	Optional SIMM slot cover
39	C4699-40003	Cover - Lift up top cover NO LONGER SUPPLIED
40	C4699-40004	Left end cover NO LONGER SUPPLIED
41	C4699-40005	Right end cover
42	C4713-40038	Carriage top cover

### Cross-Brace

43	C3192-60001	Cross-brace - Main structure that extends between stand legs
----	-------------	--



## External Case Parts

### Foot

44 C4696-60006 Foot assembly (includes casters)

### Hardware Kit

C4704-60095 Hardware kit for printer stand - Includes screwdriver, screws, washers, and media bin retaining clips

### Hinge

46 C3190-40041 Top cover hinge  
NO LONGER SUPPLIED

### Holder

47 C3190-40052 Holder - For quick reference guide

### Keycap

48 C3190-40045 Keycap - For the power switch

### Label

49 C4705-00017 Instruction label

### Leg

50 C4696-60007 Leg assembly - Side support for the plotter - Does NOT include the foot assembly

### Nameplate/Logo

51 C4699-00008 Nameplate - DesignJet 350C  
NO LONGER SUPPLIED

### Overlay

52 C4699-60011 Front panel overlay - Shows the function of the front panel buttons and indicator lights (English)  
NO LONGER SUPPLIED

53 C4699-60012 Front panel overlay - Shows the function of the front panel buttons and indicator lights (Korean)  
NO LONGER SUPPLIED

54 C4699-60013 Front panel overlay - Shows the function of the front panel buttons and indicator lights (Taiwanese)  
NO LONGER SUPPLIED

55 C4699-60014 Front panel overlay - Shows the function of the front panel buttons and indicator lights (German)  
NO LONGER SUPPLIED

56 C4699-60015 Front panel overlay - Shows the function of the front panel buttons and indicator lights (French)  
NO LONGER SUPPLIED

57 C4699-60016 Front panel overlay - Shows the function of the front panel buttons and indicator lights (Spanish)

58 C4699-60017 Front panel overlay - Shows the function of the front panel buttons and indicator lights (Italian)  
NO LONGER SUPPLIED

59 C4699-60018 Front panel overlay - Shows the function of the front panel buttons and indicator lights (Japanese)  
NO LONGER SUPPLIED

60 C4699-60019 Front panel overlay - Shows the function of the front panel buttons and indicator lights (Portuguese)  
NO LONGER SUPPLIED

61 C4699-60020 Front panel overlay - Shows the function of the front panel buttons and indicator lights (Chinese)  
NO LONGER SUPPLIED

### Stand

C3192A DesignJet 230/250C Optional Stand (D/A1) - Includes legs, casters and brace - Does NOT include the paper bin  
NO LONGER SUPPLIED

## Optional Interfaces

### Interface (Module)

J4101-61011 External JetDirect 300X print server module (10Base-T and 100Base-T) - Connects between printer parallel port and LAN network - Does NOT include power module - (J4101A, J4101B)

### Interface (Product)

J2590A External JetDirect LAN interface module with RJ-45 connector for EtherTwist (10Base-T) or 100VG/802.12 input and 3 parallel (DB-25) output connectors  
NO LONGER SUPPLIED



## Optional Interfaces

### Interface (Product)

J2591A	External JetDirect LAN interface module and power module - Has EtherTwist (10Base-T) and ThinLAN (10Base-2) connectors NO LONGER SUPPLIED
J3258B	External JetDirect 170X LAN interface module - Interfaces a parallel printer to an ethernet 10Base-T (RJ-45) LAN
J3264A	External JetDirect 500X token ring interface module - Interfaces up to 3 parallel printers to a token ring (DB-9 or RJ-45) LAN
J3265A	External JetDirect 500X LAN interface module - Interfaces up to 3 parallel printers to an ethernet 10Base-T (RJ-45), 10Base2 (BNC), or 100Base-TX (RJ-45) LAN

### Module

J2382-69003	External JetDirect LAN interface module with ethertwist (10Base-T) and ThinLAN (10BASE-2) connectors
J2383-61005	External token ring interface module - Has DB-9 connector
J2590-69001	External JetDirect LAN interface module with RJ-45 connector for ethertwist (10Base-T) or 100VG/802.12 input and 3 parallel (DB-25) output connectors REQUIRES RETURN OF DEFECTIVE PART
<i>J2590-61011</i>	<i>New Part for J2590-69001</i>
J2591-69001	External JetDirect LAN interface module with ethertwist (10Base-T) and ThinLAN (10BASE-2) connectors
J2592-69001	External JetDirect LAN interface module with ethertwist (10Base-T) connector REQUIRES RETURN OF DEFECTIVE PART
<i>J2592-61001</i>	<i>New Part for J2592-69001</i>
J2593-69001	External JetDirect LAN interface module with Ethertwist (10Base-T) and ThinLAN (10BASE-2) input connectors and 3 parallel (DB-25) output connectors - (part of J2593A)
J2594-69001	External JetDirect token ring interface module with DB-9 and RJ-45 input connectors and 3 parallel (DB-25) output connectors - (part of J2594A) REQUIRES RETURN OF DEFECTIVE PART
<i>J2594-61011</i>	<i>New Part for J2594-69001</i>
J3258-61011	External JetDirect LAN interface module with EtherTwist (10Base-T) connector - (J3258A, J3258B)
J4102-69011	External JetDirect LAN interface module with EtherTwist (10Base-T) connector - (J4102A, J4102B) REQUIRES RETURN OF DEFECTIVE PART
<i>J4102-61011</i>	<i>New Part for J4102-69011</i>

### Module (Product)

J4101B	External JetDirect LAN interface module with EtherTwist (10Base-T/Base-TX) connector
J4102B	External JetDirect LAN interface module with EtherTwist (10Base-T) connector

### Power Cord

8120-1351	Power cord (Mint Gray) - 17 AWG, 2.3m (7.5ft) long - Has straight (F) receptacle (For 240V in the UK, Hong Kong, Singapore, Malaysia, and Brunei)
8120-1369	Power cord (Mint Gray) - 17 AWG, 2.0m (6.6ft) long - Has straight (F) receptacle (For 240V in Australia, New Zealand, and China)
8120-1378	Power cord (Jade Gray) - 18 AWG, 2.3m (7.5ft) long - Has straight (F) receptacle (For 120V in USA, Canada, Latin America, Korea, Taiwan, Thailand, Spain, Brazil, and Vietnam)
8120-1689	Power cord (Mint Gray) - 17 AWG, 2.0m (6.6ft) long - Has straight (F) receptacle (For 220V in Europe, Bangladesh, Indonesia, Pakistan, Burma, Sri Lanka, and Vietnam)
8120-2104	Power cord (Mint Gray) - 2.0m (6.6ft) long - Has straight (F) receptacle (For 220V in Switzerland)
8120-2956	Power cord (Mint Gray) - 2.0m (6.6ft) long - Has straight (F) receptacle (For 220V in Denmark)
8120-4753	Power cord (Flint Gray) - 18 AWG, 2.3m (7.5ft) long - Has straight (F) receptacle (For 100V in Japan)
8120-6302	'Daisy chain' power cord (Dove Gray) - 18 AWG, 1.2m (4.0ft) long - Has C14 (M) plug for power input and C13 (F) plug for power output



## Optional Interfaces

### Power Module

0950-2372	Power supply module - 100-240VAC input, 47-63Hz, requires separate AC power cord - 5VDC output, 1A, 5 watts - For J2382/83A/B
0950-3169	Wall mount power supply module - 110-127V AC 57-63Hz input - 13V DC output at 300mA (USA, Canada) - For use with the J2592A external JetDirect LAN interface module
0950-3170	Power supply module - 209-253VAC input, 47-53Hz - 13VDC output, 300mA (Europe, Israel) - For use with the J2592A external JetDirect LAN interface module
0950-3171	Power supply module - 220-240VAC input, 47-53Hz - 13VDC output, 300mA (U.K., Hong Kong) - For use with the J2592A external JetDirect LAN interface module
0950-3172	Power supply module - 240VAC input, 47-53Hz - 13VDC output, 300mA (Australia) - For use with the J2592A external JetDirect LAN interface module
0950-3348	Wall mount power supply module (MEI-AH ED12006) - 110-127VAC input, 57-63Hz - 13VDC output, 800mA, 10.4 watts (for use in the United States and Canada) - For models J2590/91/93/94A, J2964A, J3258A/B, J3263/64/65A, J3282B, J4101A/B, J4102A/B
0950-3349	Wall mount power supply module (MEI-AH ED12007) - 230VAC input, 47-53Hz - 13VDC output, 800mA, 10.4 watts (for use in Europe and Israel) - For JetDirect/infrared interface models J2590/91/93/94A, J2964A, J3258A/B, J3263/64/65A, J3282B, J4101A/B, J4102A/B
0950-3350	Wall mount power supply module (MEI-AH ED12008) - 220-240VAC input, 47-53Hz - 13VDC output, 800mA, 10.4 watts (for use in the United Kingdom) - For JetDirect/infrared interfaces J2590/91/93/94A, J2964A, J3258A/B, J3263/64/65A, J3282B, J4101A/B, J4102A/B
0950-3351	Wall mount power supply module (MEI-AH ED12009) - 220VAC input, 47-63Hz - 13VDC output, 800mA, 10.4 watts (for use in South Korea) - For JetDirect/infrared interface models J2590/91/93/94A, J2964A, J3258A/B, J3263/64/65A, J3282B, J4101A/B, J4102A/B
0950-3352	Wall mount power supply module (MEI-AH ED12010) - 100VAC input, 47-63Hz - 13VDC output, 800mA, 10.4 watts (for use in Japan) - For JetDirect/infrared interface models J2590/91/93/94A, J2964A, J3258A/B, J3263/64/65A, J3282B, J4101A/B, J4102A/B
0950-3354	Wall mount power supply module (MEI-AH ED12010) - 220-250VAC input, 47-53Hz - 13VDC output, 800mA, 10.4 watts (for use in South Africa) - For JetDirect/infrared interface models J2590/91/93/94A, J2964A, J3258A/B, J3263/64/65A, J3282B, J4101A/B, J4102A/B
9100-5176	Wall mount power supply module (Leader Electronics 48130625HK) - 200VAC input, 48-52Hz - 13VDC output, 625mA (Hong Kong) - For JetDirect Modules and Infrared Interface Models J2590/91/93/94A, J2964A, J3258A/B, J3263/64/65A, J3282B, J4101A/B, J4102A/B
0950-3350	<i>New Part for 9100-5176</i>

## Other Accessories

### CD-ROM (Support)

C7769-90066	DesignJet support CD ROM - Version A.04.01 - Has product information, user's manuals, service manuals, diagnostic software, test drawings, newsletters, and service notes
-------------	---

### Cartridge

51640A	Black print cartridge (w/ level indicator) - Prints approx.1120 pages based on 5% density on a 8 inch by 10 inch print area (for USA)
51640AA	Black print cartridge (with level indicator) - Prints approx.1120 pages based on 5% density on a 8 inch by 10 inch print area (for Asia/Pacific)
51640AE	Black print cartridge (with level indicator) - Prints approx.1120 pages based on 5% density on a 8 inch by 10 inch print area (for Europe)
51640AL	Black print cartridge (with level indicator) - Prints approx.1120 pages based on 5% density on a 8 inch by 10 inch print area (for Latin America)
51644C	Cyan (Blue) ink cartridge (for USA)
51644CA	Cyan (Blue) ink cartridge (for Asia/Pacific)
51644CE	Cyan (Blue) ink cartridge (for Europe)
51644CL	Cyan (Blue) ink cartridge (for Latin America)
51644M	Magenta (Red) ink cartridge (for USA)
51644MA	Magenta (Red) ink cartridge (for Asia/Pacific)



## Other Accessories

### Cartridge

51644ME	Magenta (Red) ink cartridge (for Europe)
51644ML	Magenta (Red) ink cartridge (for Latin America)
51644Y	Yellow ink cartridge (for USA)
51644YA	Yellow ink cartridge (for Asia/Pacific)
51644YE	Yellow ink cartridge (for Europe)
51644YL	Yellow ink cartridge (for Latin America)

### Lubricant

6040-0858	Special lubricating oil - For carriage slider rod surface - 4oz (113g) plastic bottle of synthetic oil
C3190-60155	Grease - For helical gear (Drive roller gear)

### Manual

5959-9733	HP-GL/2 & HP RTL reference guide - Programming information, handbook for developers
C3190-90157	C3190/91A DesignJet 250C, C4694/5A DesignJet 230, C4701/02A DesignJet 330 and C4699A/C4700A DesignJet 350C - Combined service manual update
C4699-90000	C3190/91A DesignJet 250C, C4694/5A DesignJet 230, C4701/02A DesignJet 330 and C4699A/C4700A DesignJet 350C - Combined service manual (English)

### Manual Kit

C4699-90091	DesignJet 330/350C manual kit - Includes users guide and quick reference guide (English)
C4699-90092	DesignJet 330/350C manual kit - Includes users guide and quick reference guide (Korean) NO LONGER SUPPLIED
C4699-90093	DesignJet 330/350C manual kit - Includes users guide and quick reference guide (Taiwanese) NO LONGER SUPPLIED
C4699-90094	DesignJet 330/350C manual kit - Includes users guide and quick reference guide (German) NO LONGER SUPPLIED
C4699-90095	DesignJet 330/350C manual kit - Includes users guide and quick reference guide (French) NO LONGER SUPPLIED
C4699-90096	DesignJet 330/350C manual kit - Includes users guide and quick reference guide (Spanish) NO LONGER SUPPLIED
C4699-90097	DesignJet 330/350C manual kit - Includes users guide and quick reference guide (Italian) NO LONGER SUPPLIED
C4699-90098	DesignJet 330/350C manual kit - Includes users guide and quick reference guide (Japanese) NO LONGER SUPPLIED
C4699-90099	DesignJet 330/350C manual kit - Includes users guide and quick reference guide (Portuguese) NO LONGER SUPPLIED
C4699-90100	DesignJet 330/350C manual kit - Includes users guide and quick reference guide (Chinese) NO LONGER SUPPLIED

### Packaging

C4713-60123	Repacking kit - Materials to repack plotter NO LONGER SUPPLIED
-------------	---

### Return Kit

5183-5268	Return kit with box and instructions - For returning defective Thermal InkJet (TIJ) 2.5 InkJet cartridges covered under the CREW program - For USA
5184-2833	Return kit with box and instructions - For returning defective Thermal InkJet (TIJ) 2.5 InkJet cartridges covered under the CREW program - For use outside of the USA

### Software

C6072-60281	Toolbox and driver software - HP-GL/2 and RTL drivers for Windows 3.1/95/98/NT 4.0 (all DesignJets), and toolbox software for Windows 95/NT 4.0 (Only for DesignJet 430/450C/455CA/1050C/1055CM) - On 3.5-inch 1.44MB floppy disks (English)
C6072-60284	Toolbox and driver software - HP-GL/2 and RTL drivers for Windows 3.1/95/98/NT 4.0 (all DesignJets), and toolbox software for Windows 95/NT 4.0 (Only for DesignJet 430/450C/455CA/1050C/1055CM) - On 3.5-inch 1.44MB floppy disks (German)



## Other Accessories

### Software

C6072-60285	Toolbox and driver software - HP-GL/2 and RTL drivers for Windows 3.1/95/98/NT 4.0 (all DesignJets), and toolbox software for Windows 95/NT 4.0 (Only for DesignJet 430/450C/455CA/1050C/1055CM) - On 3.5-inch 1.44MB floppy disks (French)
C6072-60286	Toolbox and driver software - HP-GL/2 and RTL drivers for Windows 3.1/95/98/NT 4.0 (all DesignJets), and toolbox software for Windows 95/NT 4.0 (Only for DesignJet 430/450C/455CA/1050C/1055CM) - On 3.5-inch 1.44MB floppy disks (Spanish)
C6072-60287	Toolbox and driver software - HP-GL/2 and RTL drivers for Windows 3.1/95/98/NT 4.0 (all DesignJets), and toolbox software for Windows 95/NT 4.0 (Only for DesignJet 430/450C/455CA/1050C/1055CM) - On 3.5-inch 1.44MB floppy disks (Italian)
C6072-60301	HP-GL/2 driver software for AutoCAD - For DOS and Windows 3.1/95/NT 4.0 - On 3.5-inch 1.44MB floppy disks (English)
C6072-60304	HP-GL/2 driver software for AutoCAD - For DOS and Windows 3.1/95/NT 4.0 - On 3.5-inch 1.44MB floppy disks (German)
C6072-60305	HP-GL/2 driver software for AutoCAD - For DOS and Windows 3.1/95/NT 4.0 - On 3.5-inch 1.44MB floppy disks (French)
C6072-60306	HP-GL/2 driver software for AutoCAD - For DOS and Windows 3.1/95/NT 4.0 - On 3.5-inch 1.44MB floppy disks (Spanish)
C6072-60307	HP-GL/2 driver software for AutoCAD - For DOS and Windows 3.1/95/NT 4.0 - On 3.5-inch 1.44MB floppy disks (Italian)

### Training Kit

C3190-60111	Self paced training kit for DesignJet 230/250/330/350 NO LONGER SUPPLIED
-------------	---

### Training Test

C3190-90102	Additional self paced training test - Contains 1 test for DesignJet 250C/30/350C/30 NO LONGER SUPPLIED
-------------	---

### Upgrade Kit

C3176A	Rollfeed upgrade kit (24-inch) - Includes rollfeed module and stand assembly - Does not include media diverter NO LONGER SUPPLIED
--------	--

## Other Internal Parts

### Cable

148	C4713-60182	Bail link (Cable) - Flexible stranded wire cable - 12.5cm (4.9 inches) long
-----	-------------	---

### Primer

149	C4699-60003	Primer assembly - Mounted on left side of plotter
-----	-------------	---

### Service Station

150	C3190-60142	Service station assembly
-----	-------------	--------------------------

### Spittoon

151	C4699-60002	Spittoon assembly - Includes pincharm sensor switch and absorbers which hold excess ink from cartridges NO LONGER SUPPLIED
-----	-------------	---

## Paper Drive Parts

### Bail

161	C3190-60095	Bail assembly - Includes bail, starwheels, and brackets
-----	-------------	---

### Bushing

162	C1633-40082	Pincharm spring retaining bushing
-----	-------------	-----------------------------------

### Cable

163	C3180-60012	Ribbon cable - Has 5 pin (F) connectors - 16.3cm (6.4 inches) long
-----	-------------	--

### Handle

164	C3190-40029	Handle - Right side of plotter - To load paper
-----	-------------	--



### Paper Drive Parts

#### Motor/Gear

165 C4699-60064 Paper (X-axis) drive motor (includes helical drive gear) - NOTE: motor and gear are only sold as an assembly

#### Pincharm

166 C4699-60081 Pincharm assembly - Curved black plastic plate with 4 small rubber rollers (Does NOT include spring or bushing)

#### Roller

167 C3190-60096 Overdrive roller - Shaft with rollers - Runs width of plotter includes overdrive housing

168 C4699-60042 Paper drive (Platen) roller assembly - Long gear driven roller - Includes roller and mark encoder

#### Sensor

169 C3190-60140 Media sensor mechanical assembly - Includes, edge measuring and secondary levers, media sensor and holder

#### Spring

170 C1633-80005 Compression spring between pincharm assembly and bushing

### Paper and Other Media

#### Film (Clear)

C3876A Clear film (4 mil) - 61cm (24in) x 22.9m (75ft) roll

#### Film (Glossy)

C3886A High gloss white film (4 mil) - 61cm (24in) x 30.5m (100ft) roll

#### Film (Matte)

51642A Polyester matte film - 61cm (24in) x 36.6m (120ft) roll

#### Paper (Bright White)

C1860A Bright white InkJet paper - 61cm (24in) x 45.7m (150ft) roll

#### Paper (Coated)

C8281A Basic Coated Paper - 61cm (24in) x 45.7m (150ft) (USA and Asia/Pacific)

#### Paper (Glossy)

C3882A High gloss photo paper - 61cm (24in) x 30.5m (100ft) roll

#### Paper (Tracing)

C3869A Natural tracing paper - 61cm (24in) x 45.7m (150ft) roll

#### Paper (Translucent)

C3860A Translucent bond paper - 61cm (24in) x 45.7m (150ft) roll

#### Vellum

C3862A Vellum - 61cm (24in) x 45.7m (150ft) roll

### Roll Feed Parts

#### Cutter

171 C4699-60078 Cutter assembly - Attaches to right side of rollfeed assy  
NO LONGER SUPPLIED

#### End Cap

172 C3174-40011 Spindle end cap (2in)

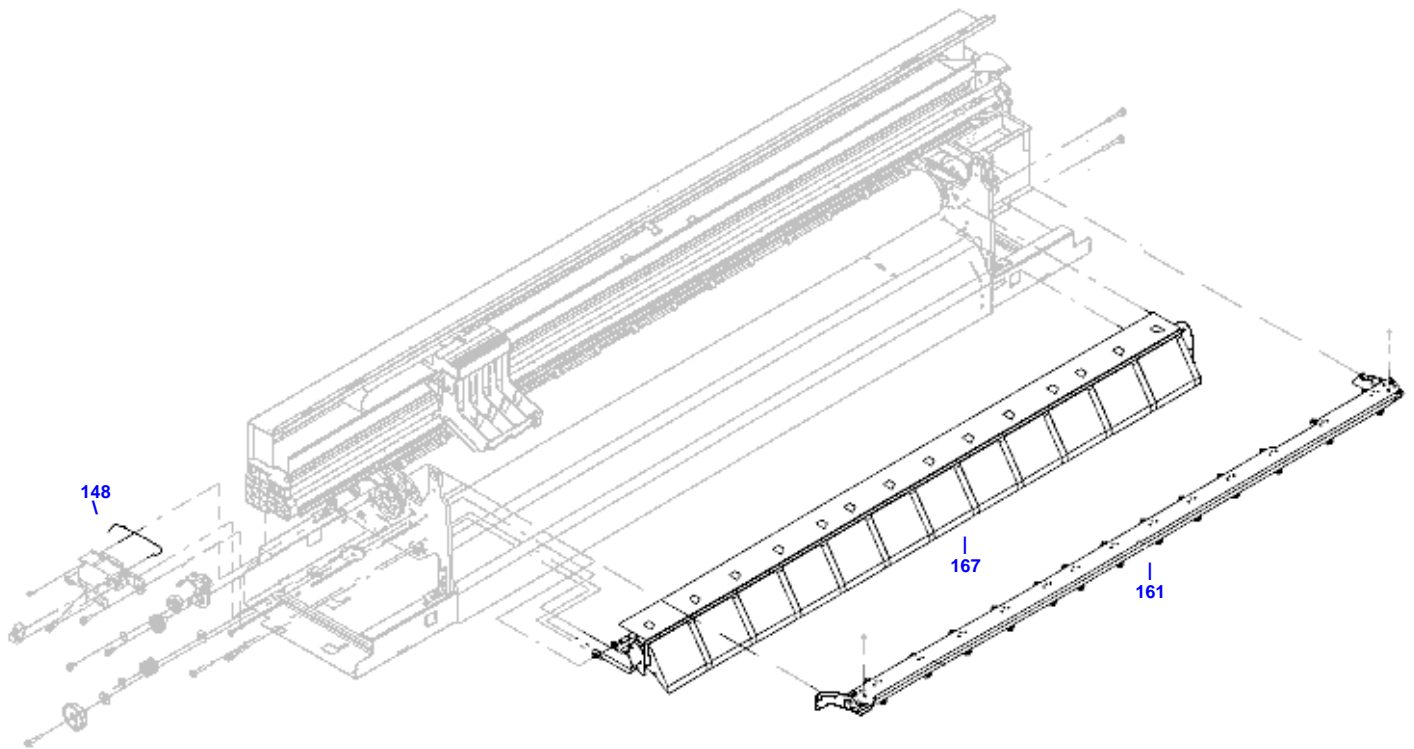
#### Rollfeed Assy

173 C3174-60013 Rollfeed assembly - Enables plotter to use rollfeed paper

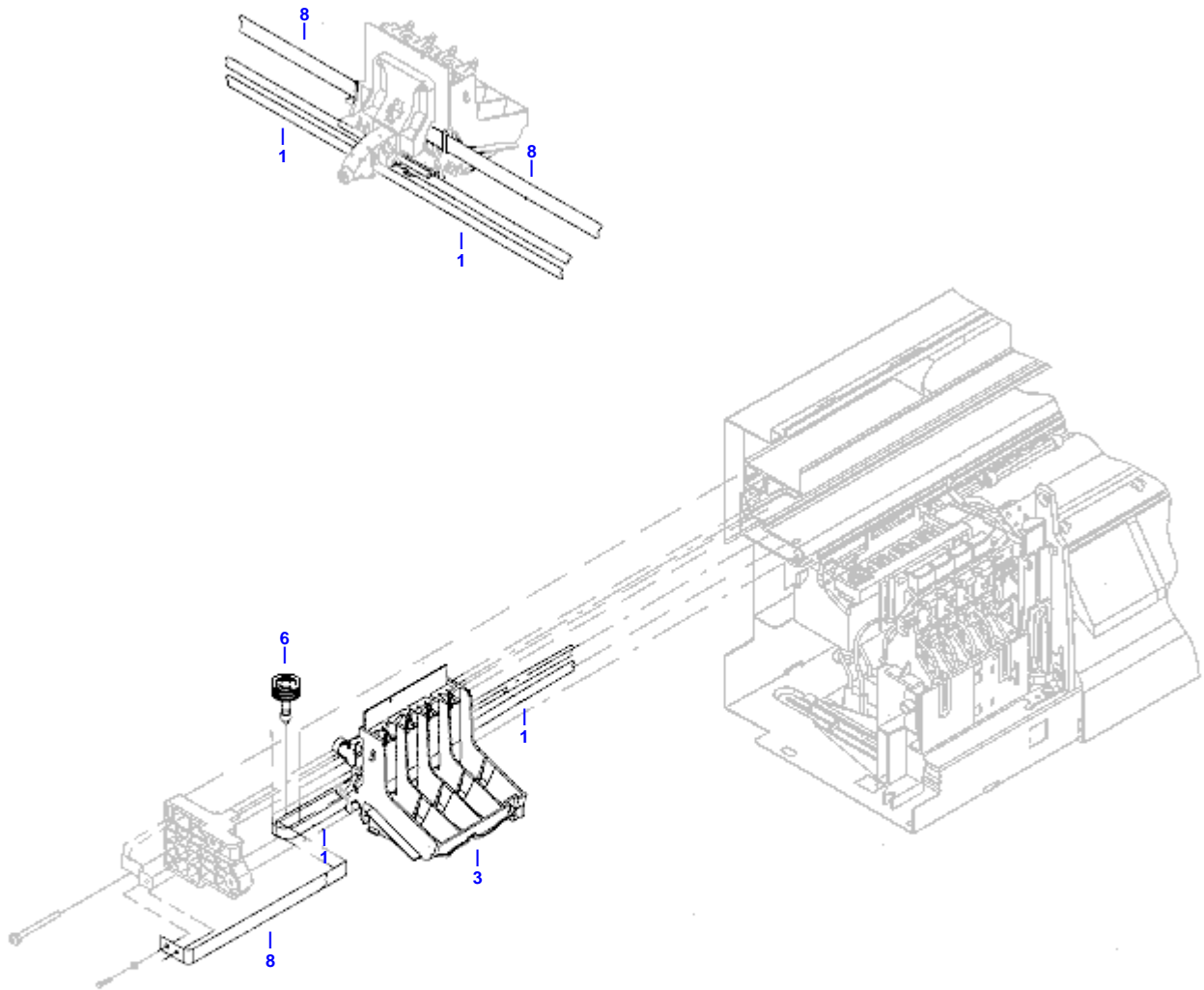
#### Spindle

174 C3174-60005 Rollfeed spindle assembly (D-size) - Includes end caps  
NO LONGER SUPPLIED

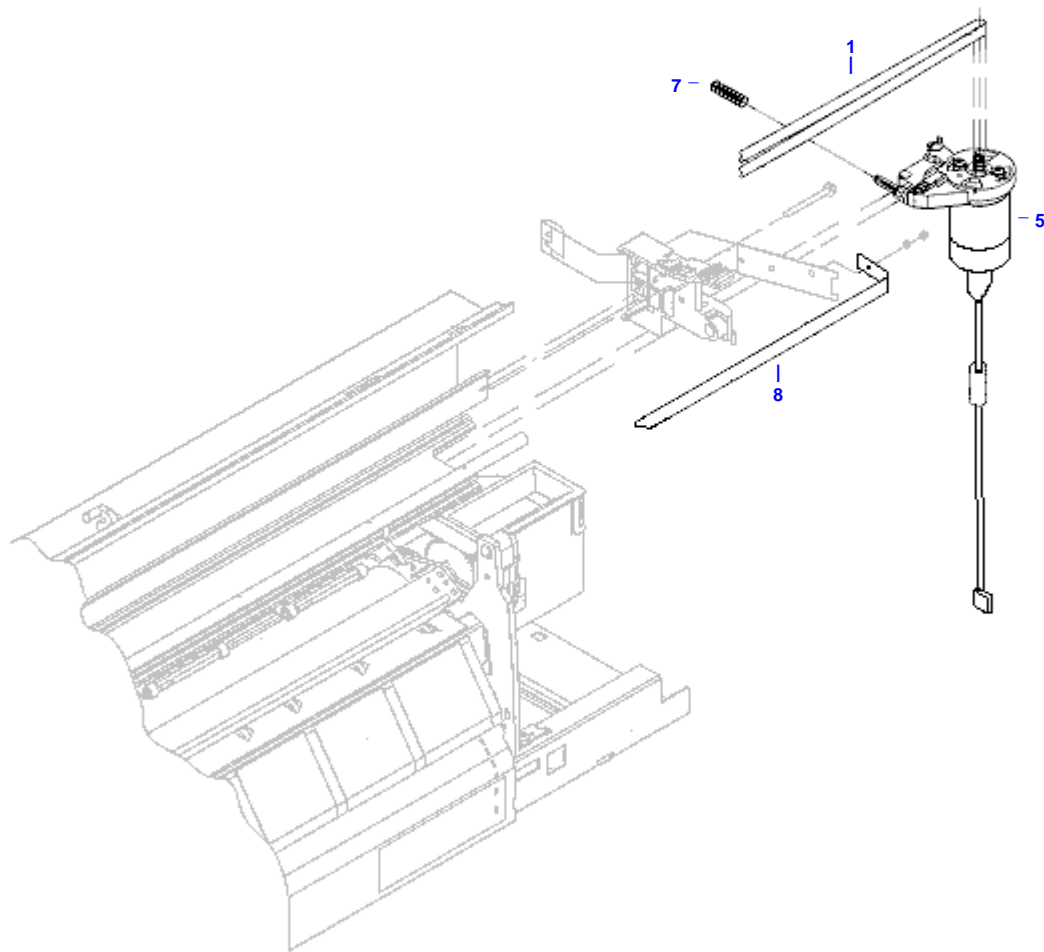
Bail and Overdrive



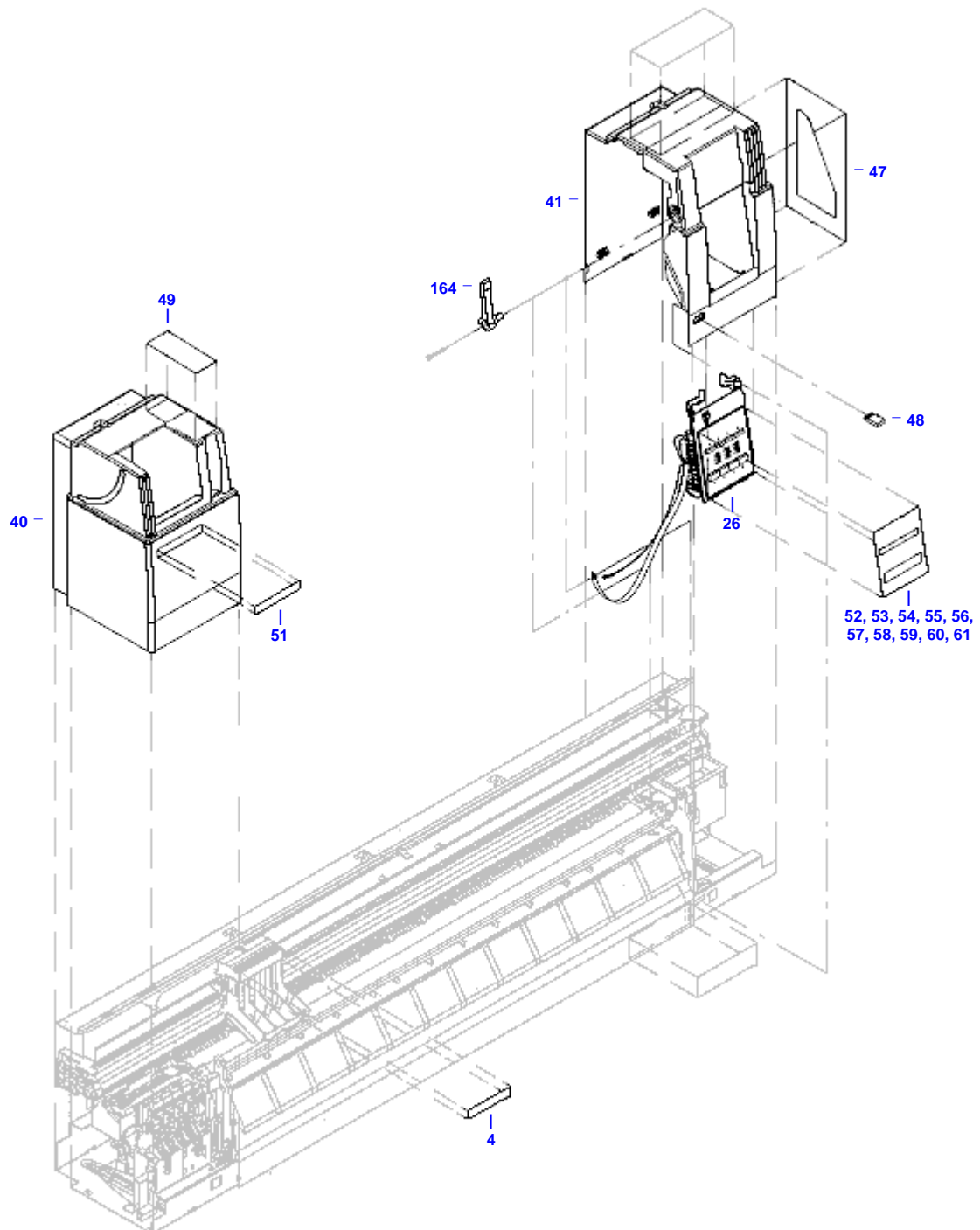
Carriage-Axis (Left End)



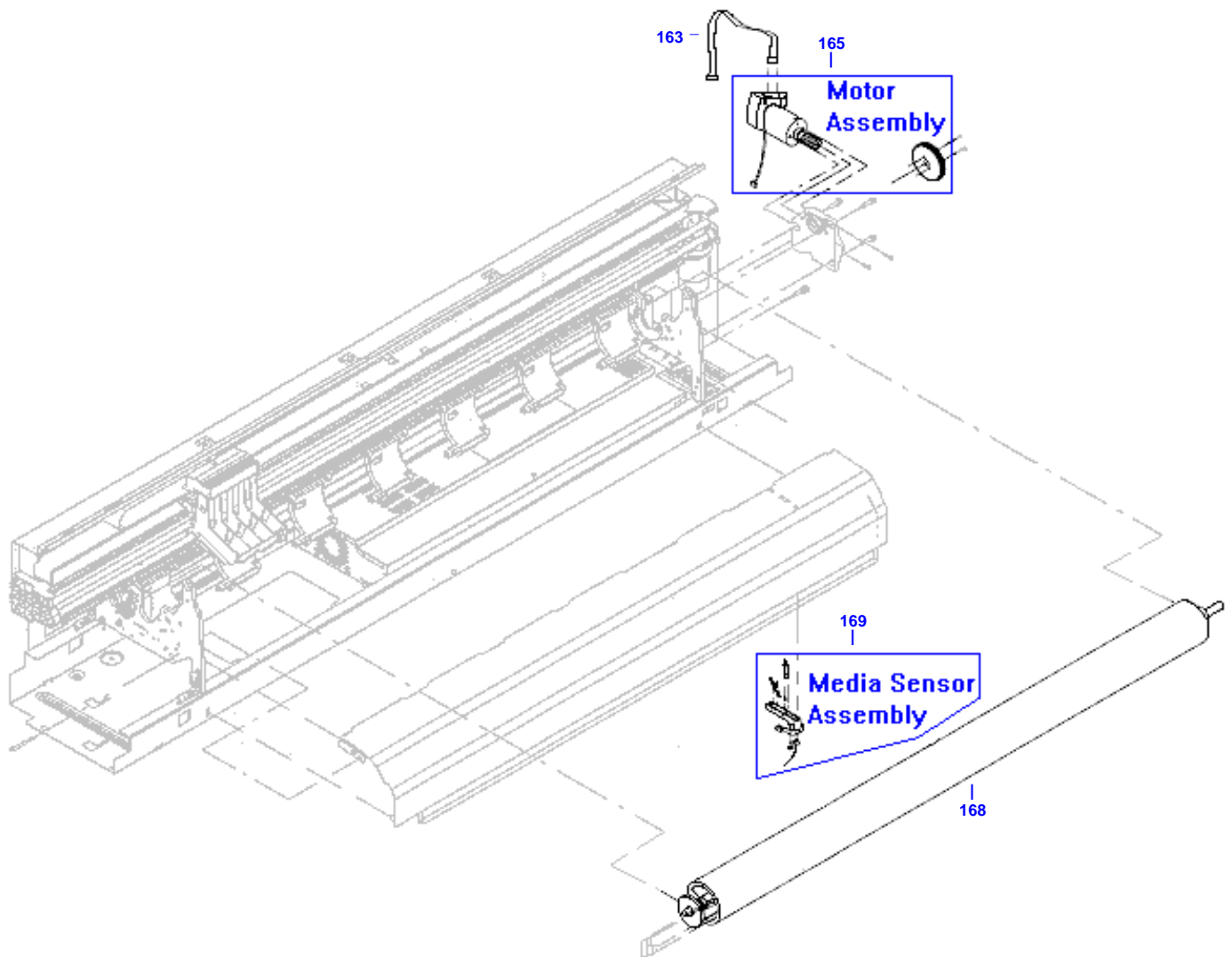
**Carriage-Axis (Right End)**



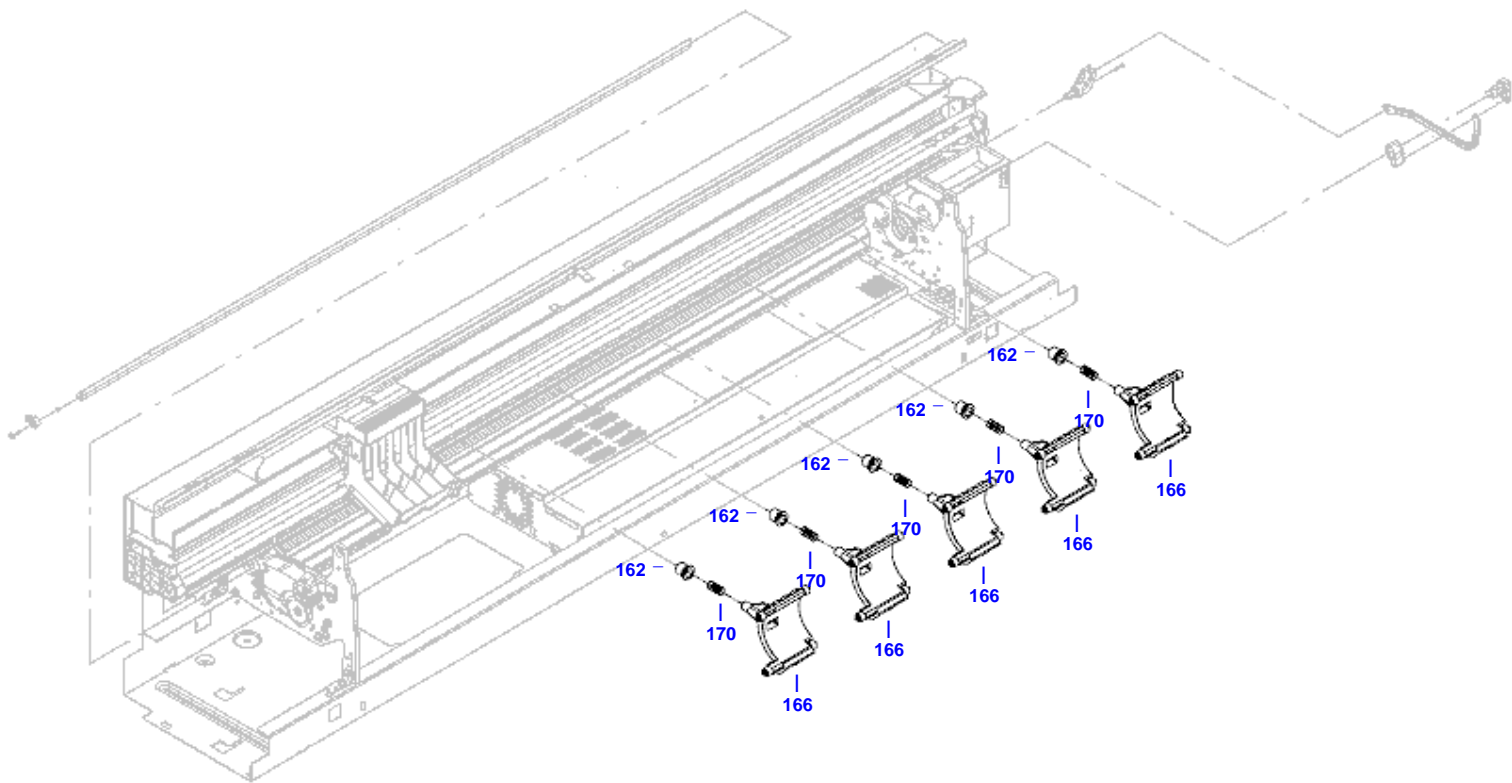
End Covers/Control Panel



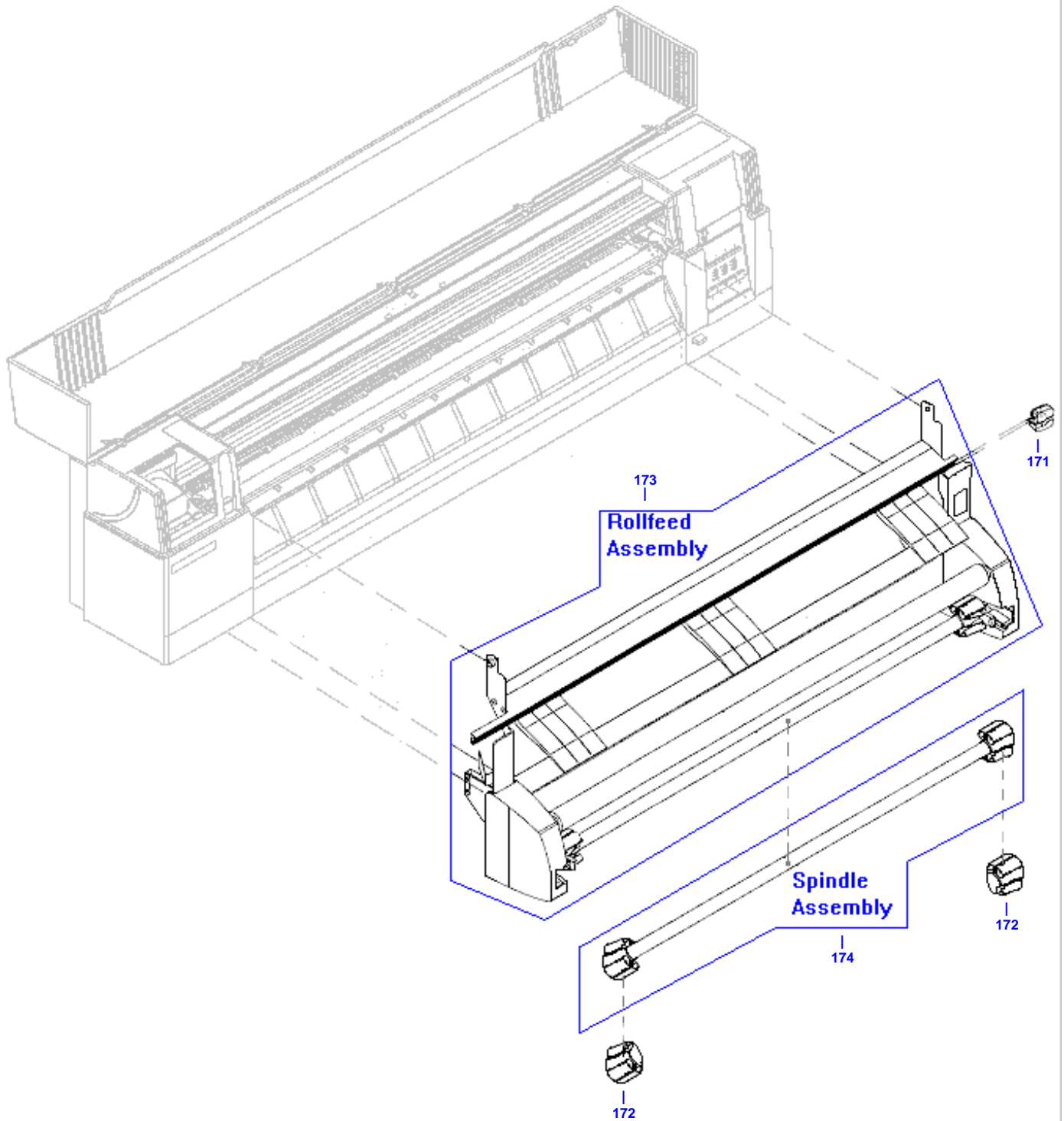
Media Entry Path



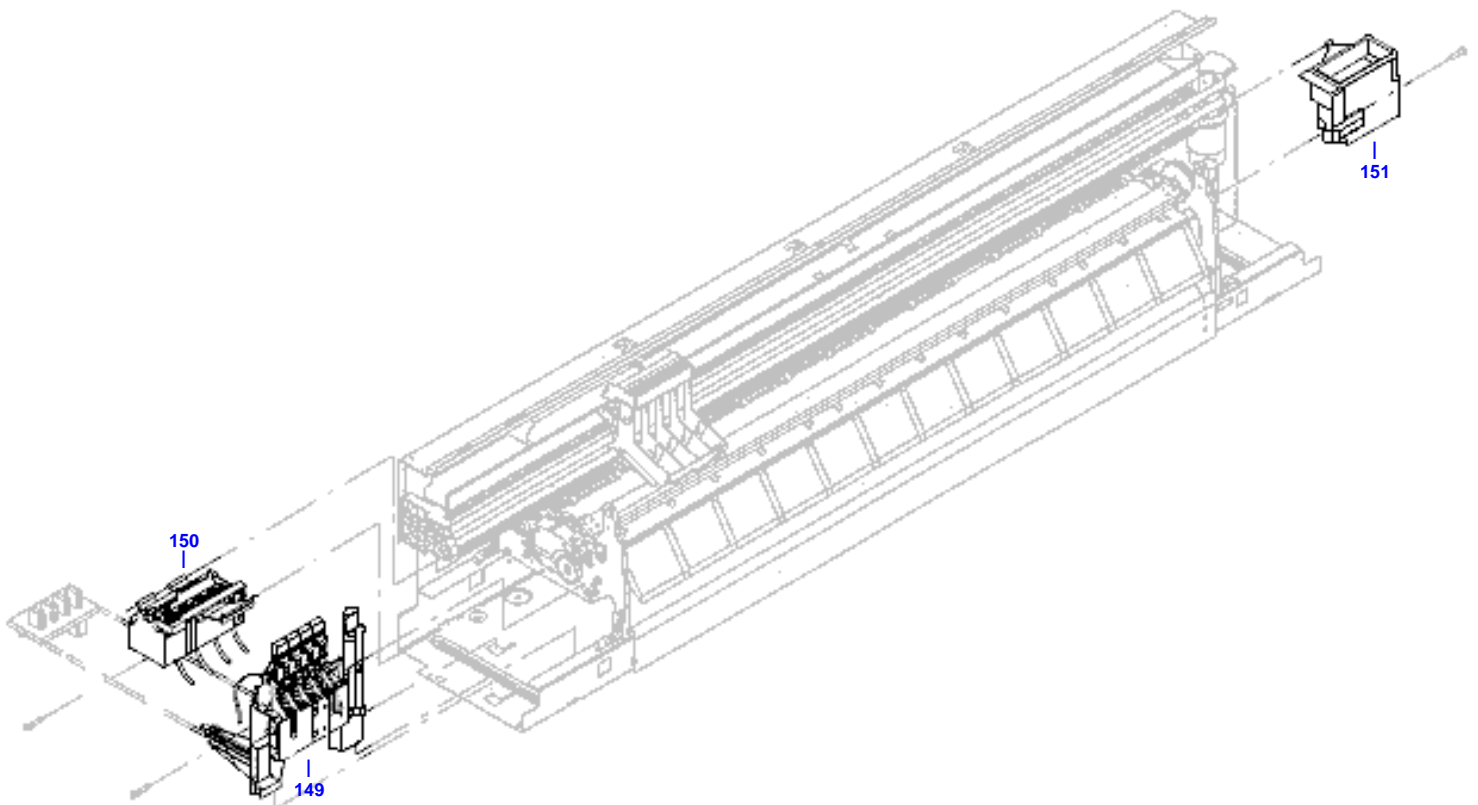
Pinch-Arm Assembly



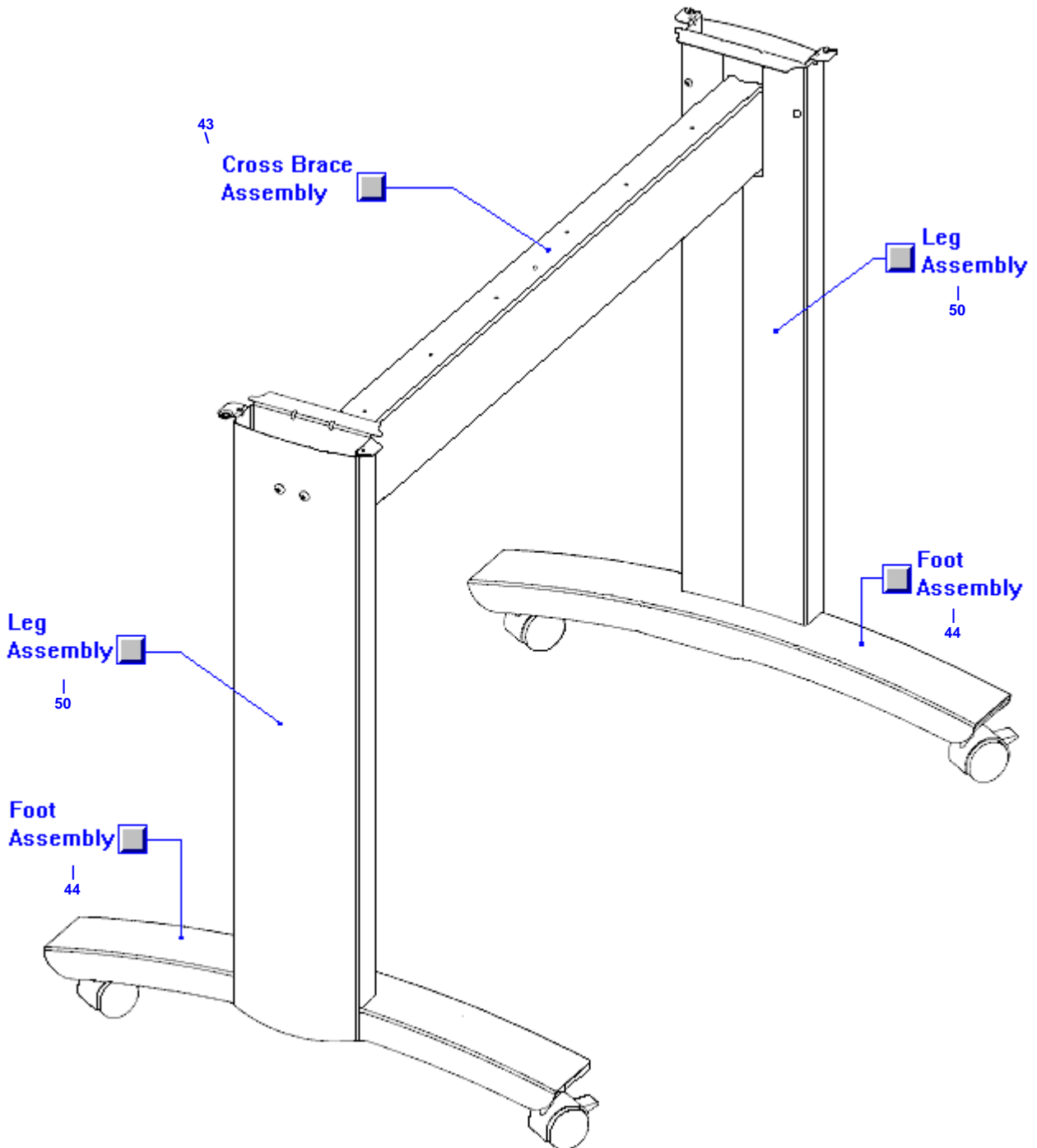
Rollfeed Assembly



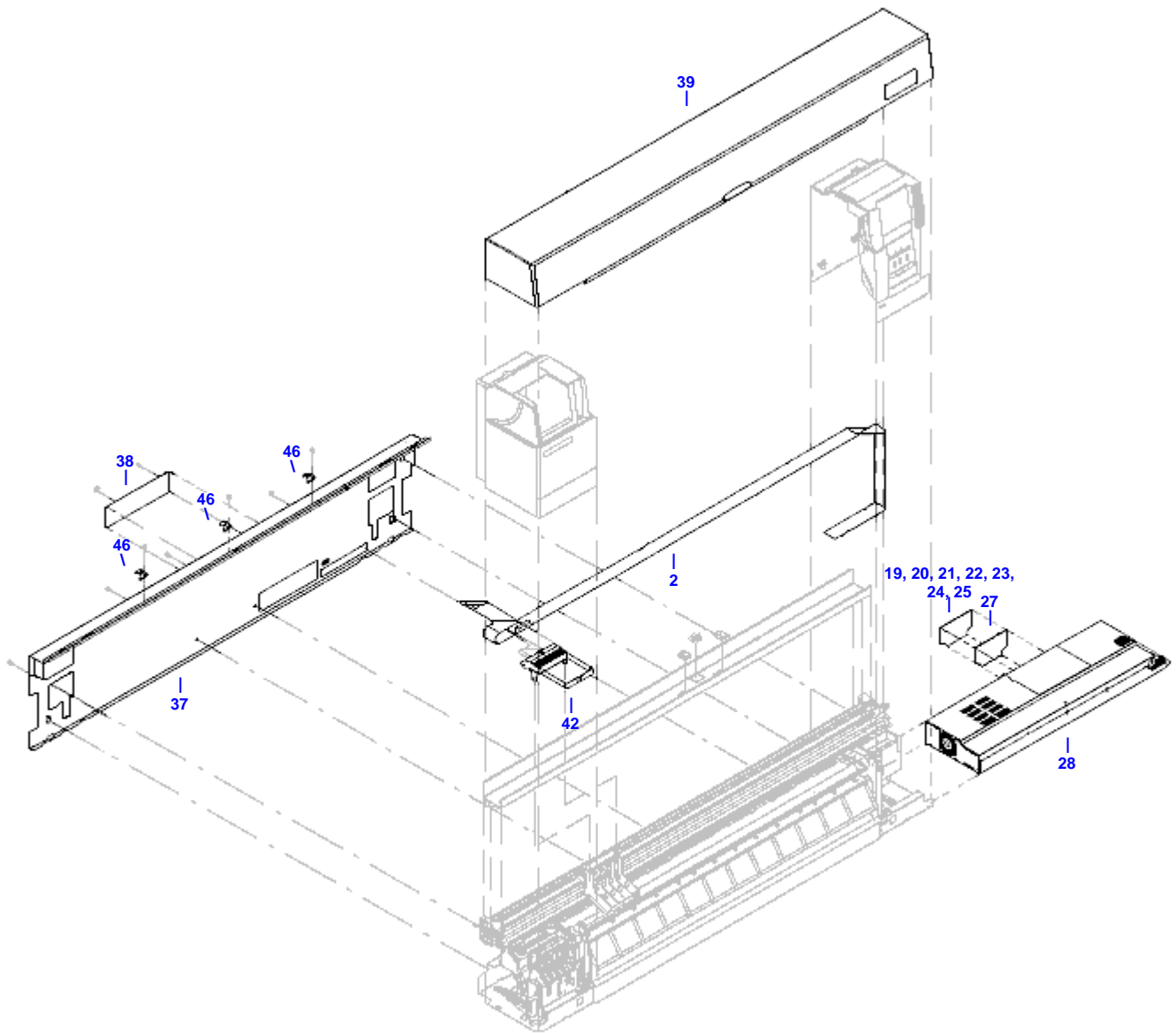
Service Station, Primer, Spittoon



Stand Assembly



Top/Back Covers, Electronics, Trailing Cable





**HP Parts Reference Guide**

<http://www.hp.com/go/parts>

**HP PartSurfer**

<http://partsurfer.hp.com>

**HP Parts Ordering Information**

<http://www.hp.com/go/hpparts>

**HP Parts Questions/Comments**

<http://partsurfer.hp.com/contactus.htm>