



### Carriage Drive Parts

#### Belt

1 C4723-60235 Carriage (Y-axis) belt - Drives the carriage assembly

#### Bracket

2 C4704-00005 Y-axis motor bracket - Includes edge wire saddle - Holds Y-Axis Motor

#### Bushing

3 C4704-40084 Rear slider rod bushing (Spring loaded)

#### Cable

4 C4723-60237 Carriage assembly trailing cable - Three ribbon cables bundled together - 2.4m (7.7ft) long

#### Carriage Kit

5 C4723-69096 Carriage assembly - Includes carriage assembly, line sensor, encoder, rear bushing, calibration pen, digitizing sight, guages - Trailing cable and cable clamp not included  
REQUIRES RETURN OF DEFECTIVE PART

C4723-60096 *New Part for C4723-69096*

#### Clamp

6 C4704-40085 Trailing cable clamp - Secures the trailing cable to the carriage assembly

#### Cover

7 C4704-40080 Encoder strip roof

8 C4704-60117 Line sensor lens cover

#### Ferrite Assembly

9 9170-1687 Ferrite core - Installed on Y-AXIS motor cable

#### Ground Strap

10 C4704-00016 Encoder ground strap - Provides ground to end of encoder strip

11 C4704-00035 Ground strap - Attached to Y-AXIS bracket

#### Motor

12 C4723-60277 Carriage (Y-Axis) motor assembly - Drives carriage belt - Includes motor, motor holder, and cable

#### Pulley

13 C4704-60020 Idler pulley - For carriage (Y-axis) belt - On right end of plotter

#### Saddle

14 0460-2536 Edge wire saddle for Y-axis bracket

#### Sensor

C4723-60096 Line sensor - Detects paper width and skew - Measures calibration accuracy and printhead alignment

#### Spring

16 C1633-80014 Compression spring - For the rear bushing on the carriage

17 C4699-00016 Encoder spring

#### Strip

18 C4723-60232 Encoder strip - Used to determine carriage position

#### Tensioner

19 C4723-60063 Y-axis tensioner assembly - Applies tension to carriage belt - Includes wedge, tensioner spring, and housing

### Electronic Accessories

#### Cable (Interface)

5063-1256 IEEE-1284 Bi-Tronics parallel cable - DB-25 (M) connector (type A) to 36 pin Centronics (M) connector (type B) - 2.0m (6.6ft) long

5063-1257 IEEE-1284 Bi-Tronics parallel cable - DB-25 (M) connector (type A) to 36 pin Centronics (M) connector (type B) - 3.0m (9.8ft) long

92215S RS-422 serial cable - 8 pin (M) to 8 pin (M) - 2.0m (6.6ft) long - For connecting Apple Macintosh with LocalTalk/serial connector



### Electronic Accessories

#### Cable (Interface)

C2950A	IEEE-1284 Bi-Tronics parallel cable - DB-25 (M) connector (type A) to 36 pin Centronics (M) connector (type B) - 2.0m (6.6ft) long
5063-1256	<i>New Part for C2950A</i>
C2951A	IEEE-1284 Bi-Tronics parallel cable - DB-25 (M) connector (type A) to 36 pin Centronics (M) connector (type B) - 3.0m (9.8ft) long
C2990A	IEEE-1284 Bi-Tronics parallel cable - DB-25 (M) (type A) to 36 pin (M) Centronics (type B) - 1.8m (6ft) long NO LONGER SUPPLIED
C2991A	IEEE-1284 Bi-Tronics parallel cable - DB-25 (M) (type A) to 36 pin (M) Centronics (type B) - 3.0m (10ft) long NO LONGER SUPPLIED

#### Interface (Product)

J3258B	External JetDirect 170X LAN interface module - Interfaces a parallel printer to an ethernet 10Base-T (RJ-45) LAN
J3263A	External JetDirect 300X LAN interface module - Interfaces a parallel printer to an ethernet 10Base-T (RJ-45) or 100Base-TX (RJ-45) LAN
J4100A	JetDirect 400N modular input/output (MIO) - Internal print server - Provides 10/100Base-T or 10Base-2 network connection using RJ45 or BNC connectors
J4105A	JetDirect 400N modular input/output (MIO) internal print server - Provides token ring network connection using RJ45 or DB9 connectors
J4106A	JetDirect 400N modular input/output (MIO) internal print server - Provides 10Base-T network connection using RJ45 connector
J6060A	External JetDirect 300X print server module (10Base-T and 100Base-T) - Connects between printer parallel port and LAN network - Package of three modules

#### Memory (Product)

C6229A	4MB SIMM memory module - For DesignJet CP printer NO LONGER SUPPLIED
C6230A	8MB SIMM memory module - For DesignJet CP printer NO LONGER SUPPLIED
C6231A	16MB SIMM memory module - For DesignJet 400, 700, CP series printers NO LONGER SUPPLIED
C6232A	32MB SIMM memory module upgrade - For DesignJet 400, 700, CP series printers

#### Memory (SIMM)

37	1818-6171	4MB EDO (Extended Data Output) DRAM SIMM memory module
38	1818-6172	8MB EDO (Extended Data Output) DRAM SIMM memory module NO LONGER SUPPLIED
39	C4723-60263	8MB EDO (Extended Data Output) DRAM SIMM memory module
40	C4723-60264	16MB, 60nS EDO (Extended Data Output) DRAM SIMM memory module

#### Module (Product)

J4101B	External JetDirect LAN interface module with EtherTwist (10Base-T/Base-TX) connector
J4102B	External JetDirect LAN interface module with EtherTwist (10Base-T) connector

### Electronics/Power Supply

#### Cable

43	C4704-60021	Hard drive power cable - Has 4 pin (F) connectors - 47.6cm (18.8 inches) long
44	C4704-60022	Ribbon cable for one IDE drive - 40 pin (F) connector to 40 pin (F) connector - 31.8cm (12.5 inches) long
45	C4723-60025	Ribbon cable assembly with ferrite - Has 28 pin (F) connectors - 1.7m (5.6ft) long
46	C4723-60237	Carriage assembly trailing cable - Three ribbon cables bundled together - 2.4m (7.7ft) long

#### Carriage Kit

47	C4723-69096	Carriage assembly - Includes carriage assembly, line sensor, encoder, rear bushing, calibration pen, digitizing sight, gauges - Trailing cable and cable clamp not included REQUIRES RETURN OF DEFECTIVE PART
	C4723-60096	<i>New Part for C4723-69096</i>



### Electronics/Power Supply

#### Drive

- 48 C4724-69021 4.3GB hard disk drive  
REQUIRES RETURN OF DEFECTIVE PART
- C4724-60021 *New Part for C4724-69021*

#### Firmware

- 49 C4723-69294 Firmware SIMM kit (Revision A.04.08) - Mounts in the electronics module - NOTE: this is not a postscript SIMM  
REQUIRES RETURN OF DEFECTIVE PART
- C4723-60294 *New Part for C4723-69294*

#### Front Panel

- 50 C4704-60255 Front (Control) panel and cable assembly - Includes function buttons and display

#### Memory (SIMM)

- 51 1818-6171 4MB EDO (Extended Data Output) DRAM SIMM memory module
- 52 1818-6172 8MB EDO (Extended Data Output) DRAM SIMM memory module  
NO LONGER SUPPLIED
- 53 C4723-60263 8MB EDO (Extended Data Output) DRAM SIMM memory module
- 54 C4723-60264 16MB, 60nS EDO (Extended Data Output) DRAM SIMM memory module

#### Module

- 55 C4723-69114 Electronics module - Includes power supply, fan, and main board  
REQUIRES RETURN OF DEFECTIVE PART
- C4723-60114 *New Part for C4723-69114*

#### Motor

- 56 C4723-60040 Bail motor

#### PC Board

- 57 C4704-60009 Refill interconnect board

#### Power Cord

- 8120-0698 Power cord (Black) - 18 AWG, 2.3m (7.5ft) long - Has straight (F) receptacle (For 220V/240V in the USA and Canada)
- 8120-1378 Power cord (Jade Gray) - 18 AWG, 2.3m (7.5ft) long - Has straight (F) receptacle (For 120V in USA, Canada, Latin America, Korea, Taiwan, Thailand, Spain, Brazil, and Vietnam)

#### Sensor

- 60 C4704-60029 Right end cover and window closed sensors - Includes cable and connector
- 61 C4704-60052 Pincharm sensor
- 62 C4704-60058 Left end cover sensor - Includes cable and connector
- 63 C4704-60195 Media sensor assembly - Includes, edge measuring and secondary levers, media sensor and holder
- C4723-60096 Line sensor - Detects paper width and skew - Measures calibration accuracy and printhead alignment

#### Switch

- 65 C4704-60056 Power switch - Includes cable
- 66 C4704-60261 Stand-by switch assembly
- 67 C4723-60017 Media load switch assembly

### External Case Parts

#### Cover

- C4704-00004 MIO (Modular input/output) cover
- 69 C4704-00033 SIMM slot cover
- 70 C4704-40057 Electronics module left cover
- 71 C4704-40058 Electronics module right cover
- 72 C4704-60274 Electronics module cover
- 73 C4723-00010 Rear cover



### External Case Parts

#### Cover

- 74 C4723-20008 Electronics module center cover
- 75 C4723-60115 Right end cover - Has cut outs for the control panel
- 76 C4723-60116 Left end cover

#### Cross-Brace

- 77 C4723-60077 Cross-brace - Main structure that extends between stand legs

#### Foot

- 78 C4723-60086 Foot assembly (includes casters)

#### Hardware Kit

- 79 C4723-60095 Hardware kit - Includes screwdriver and screws for printer stand

#### Holder

- 80 C4704-60218 Quick reference holder pocket - Holds quick reference guides and media knife

#### Leg

- 81 C4704-60075 Leg assembly - Side support for the plotter - Does NOT include the foot assembly

#### Nameplate/Logo

- C4723-00074 Nameplate - DesignJet 3000CP

#### Overlay

- C4723-60201 Front panel overlay - Shows the function of the front panel buttons and indicator lights (English)
- C4723-60202 Front panel overlay - Shows the function of the front panel buttons and indicator lights (Korean)
- C4723-60203 Front panel overlay - Shows the function of the front panel buttons and indicator lights (Taiwanese)
- C4723-60204 Front panel overlay - Shows the function of the front panel buttons and indicator lights (German)
- C4723-60205 Front panel overlay - Shows the function of the front panel buttons and indicator lights (French)
- C4723-60206 Front panel overlay - Shows the function of the front panel buttons and indicator lights (Spanish)
- C4723-60207 Front panel overlay - Shows the function of the front panel buttons and indicator lights (Italian)
- C4723-60208 Front panel overlay - Shows the function of the front panel buttons and indicator lights (Japanese)
- C4723-60209 Front panel overlay - Shows the function of the front panel buttons and indicator lights (Portuguese)
- C4723-60210 Front panel overlay - Shows the function of the front panel buttons and indicator lights (Chinese)

#### Sensor

- 93 C4723-69071 Take-up reel sensor assembly  
REQUIRES RETURN OF DEFECTIVE PART
- C4723-60071 *New Part for C4723-69071*

#### Spindle

- 94 C4723-60064 Take-up reel spindle assembly

#### Support

- 95 C4723-60072 Take-up reel left hand support assembly
- 96 C6246-60009 Take-up reel right hand support assembly

#### Tray

- 97 C4723-60084 Plotter stand tray assembly - Mounted between the feet of plotter

#### Tube Kit

- 98 C4723-60060 Media weight and core kit for the take-up reel

#### Window

- 99 C4723-60236 Lift-up viewing window



### Optional Interfaces

#### Interface (Product)

J2552B	LAN & LocalTalk interface - Has EtherTwist (10Base-T) , ThinLAN (10Base-2) , and LocalTalk (DIN-8) connectors NO LONGER SUPPLIED
J2555B	Token ring LAN interface board - DB-9 and RJ-45 connectors NO LONGER SUPPLIED
J2590A	External JetDirect LAN interface module with RJ-45 connector for EtherTwist (10Base-T) or 100VG/802.12 input and 3 parallel (DB-25) output connectors NO LONGER SUPPLIED
J2591A	External JetDirect LAN interface module and power module - Has EtherTwist (10Base-T) and ThinLAN (10Base-2) connectors NO LONGER SUPPLIED
J3264A	External JetDirect 500X token ring interface module - Interfaces up to 3 parallel printers to a token ring (DB-9 or RJ-45) LAN
J3265A	External JetDirect 500X LAN interface module - Interfaces up to 3 parallel printers to an ethernet 10Base-T (RJ-45), 10Base2 (BNC), or 100Base-TX (RJ-45) LAN

#### Module

J2590-69001	External JetDirect LAN interface module with RJ-45 connector for ethertwist (10Base-T) or 100VG/802.12 input and 3 parallel (DB-25) output connectors REQUIRES RETURN OF DEFECTIVE PART
J2590-61011	<i>New Part for J2590-69001</i>
J2591-69001	External JetDirect LAN interface module with ethertwist (10Base-T) and ThinLAN (10BASE-2) connectors
J2593-69001	External JetDirect LAN interface module with Ethertwist (10Base-T) and ThinLAN (10BASE-2) input connectors and 3 parallel (DB-25) output connectors - (part of J2593A)
J2594-69001	External JetDirect token ring interface module with DB-9 and RJ-45 input connectors and 3 parallel (DB-25) output connectors - (part of J2594A) REQUIRES RETURN OF DEFECTIVE PART
J2594-61011	<i>New Part for J2594-69001</i>

#### PC Board (Interface)

J2552-69013	LAN and LocalTalk interface - EtherTwist (10Base-T), ThinLAN (10Base-2), and LocalTalk (DIN-8) connectors
J2555-69013	Token ring LAN interface board - DB-9 and RJ-45 connectors

### Other Accessories

#### CD-ROM (Support)

C7769-90066	DesignJet support CD ROM - Version A.04.01 - Has product information, user's manuals, service manuals, diagnostic software, test drawings, newsletters, and service notes
-------------	---

#### Cleaning Supplies

C6247A	DesignJet cleaning kit - Includes cleaning solution and 20 cleaning rags
--------	--

#### Humidor

C6236A	DesignJet CP ink system storage container - Holds printheads and printhead cleaners when not in use
--------	---

#### Ink System Return Kt

5183-5283	Return kit (Box and instructions) - For returning defective large format printer ink systems covered under CREW program
-----------	---

#### Ink and Printhead

C1806A	Black ink system - Includes print head, print head cleaner and ink cartridge
C1807A	Cyan ink system - Includes print head, print head cleaner and ink cartridge
C1808A	Magenta ink system - Includes print head, print head cleaner and ink cartridge
C1809A	Yellow ink system - Includes print head, print head cleaner and ink cartridge
C1892A	Black UV ink system - Includes print head, print head cleaner and ink cartridge
C1893A	Cyan UV ink system - Includes print head, print head cleaner and ink cartridge
C1894A	Magenta UV ink system - Includes print head, print head cleaner and ink cartridge



## Other Accessories

### Ink and Printhead

C1895A Yellow UV ink system - Includes print head, print head cleaner and ink cartridge

### Kit

C4723-60141 Preventive maintenance kit - Contains line sensor cover, encoder strip, Y-AXIS pulley, belt, motor, cutter, silicon grease, plastic surface cleaner, synthetic oil and wipes

C4723-60238 Adjustment kit - Includes instructions, empty cartridge, digitizing sight (magnifier) and gauge

### Lubricant

6040-0855 Synthetic oil - 4oz (113g) plastic bottle

### Manual

5959-9733 HP-GL/2 & HP RTL reference guide - Programming information, handbook for developers

5959-9734 Comparison guide for HP-GL/2 and RTL peripherals (English)

### Manual Kit

C4724-60011 DesignJet 3000CP/3500CP manual kit - Includes assembly instructions, setup guide, user's guide, quick reference guide and network connection guide (English)

### Software

C6072-60281 Toolbox and driver software - HP-GL/2 and RTL drivers for Windows 3.1/95/98/NT 4.0 (all DesignJets), and toolbox software for Windows 95/NT 4.0 (Only for DesignJet 430/450C/455CA/1050C/1055CM) - On 3.5-inch 1.44MB floppy disks (English)

C6072-60284 Toolbox and driver software - HP-GL/2 and RTL drivers for Windows 3.1/95/98/NT 4.0 (all DesignJets), and toolbox software for Windows 95/NT 4.0 (Only for DesignJet 430/450C/455CA/1050C/1055CM) - On 3.5-inch 1.44MB floppy disks (German)

C6072-60285 Toolbox and driver software - HP-GL/2 and RTL drivers for Windows 3.1/95/98/NT 4.0 (all DesignJets), and toolbox software for Windows 95/NT 4.0 (Only for DesignJet 430/450C/455CA/1050C/1055CM) - On 3.5-inch 1.44MB floppy disks (French)

C6072-60286 Toolbox and driver software - HP-GL/2 and RTL drivers for Windows 3.1/95/98/NT 4.0 (all DesignJets), and toolbox software for Windows 95/NT 4.0 (Only for DesignJet 430/450C/455CA/1050C/1055CM) - On 3.5-inch 1.44MB floppy disks (Spanish)

C6072-60287 Toolbox and driver software - HP-GL/2 and RTL drivers for Windows 3.1/95/98/NT 4.0 (all DesignJets), and toolbox software for Windows 95/NT 4.0 (Only for DesignJet 430/450C/455CA/1050C/1055CM) - On 3.5-inch 1.44MB floppy disks (Italian)

C6072-60301 HP-GL/2 driver software for AutoCAD - For DOS and Windows 3.1/95/NT 4.0 - On 3.5-inch 1.44MB floppy disks (English)

C6072-60304 HP-GL/2 driver software for AutoCAD - For DOS and Windows 3.1/95/NT 4.0 - On 3.5-inch 1.44MB floppy disks (German)

C6072-60305 HP-GL/2 driver software for AutoCAD - For DOS and Windows 3.1/95/NT 4.0 - On 3.5-inch 1.44MB floppy disks (French)

C6072-60306 HP-GL/2 driver software for AutoCAD - For DOS and Windows 3.1/95/NT 4.0 - On 3.5-inch 1.44MB floppy disks (Spanish)

C6072-60307 HP-GL/2 driver software for AutoCAD - For DOS and Windows 3.1/95/NT 4.0 - On 3.5-inch 1.44MB floppy disks (Italian)

C6071-60368 ZEHRaster software for UNIX - Allows TIFF and JPEG printing on DesignJet 700 series, 1000 series, and CP series (Japanese)

C7779-60040 ZEHRaster software for UNIX - Allows TIFF and JPEG printing on DesignJet 700 series, 1000 series, and CP series (Chinese)

C7779-60041 ZEHRaster software for UNIX - Allows TIFF and JPEG printing on DesignJet 700 series, 1000 series, and CP series (English)

C7779-60042 ZEHRaster software for UNIX - Allows TIFF and JPEG printing on DesignJet 700 series, 1000 series, and CP series (Korean)

C7779-60043 ZEHRaster software for UNIX - Allows TIFF and JPEG printing on DesignJet 700 series, 1000 series, and CP series (Taiwanese)

C7779-60044 ZEHRaster software for UNIX - Allows TIFF and JPEG printing on DesignJet 700 series, 1000 series, and CP series (German)



### Other Accessories

#### Software

- C7779-60045 ZEHRaster software for UNIX - Allows TIFF and JPEG printing on DesignJet 700 series, 1000 series, and CP series (French)
- C7779-60046 ZEHRaster software for UNIX - Allows TIFF and JPEG printing on DesignJet 700 series, 1000 series, and CP series (Spanish)
- C7779-60047 ZEHRaster software for UNIX - Allows TIFF and JPEG printing on DesignJet 700 series, 1000 series, and CP series (Italian)

### Other Internal Parts

#### Bushing

- 149 C3195-40076 Cutter bushing - Connects cutter assembly to slider rod

#### Cable

- 150 C4704-60024 Ribbon cable assembly - Has 28 pin (F) connectors - 23.5cm (9.3 inches) long

#### Clamp

- 151 C4723-40086 Trailing cable holder

#### Cutter

- 152 C4723-60244 Cutter assembly - Auto cutter for rollfeed paper

#### Elevator

- 153 C4704-60033 Elevator platform assembly - Raises and lowers ink cartridges to fill the print heads - Located on left side of plotter

#### Flag

- 154 C4704-40007 Service station flag - Spring loaded flag on right side of service station

#### Refill Assembly

- 155 C4723-60249 Refill assembly - Mounted inside the left hand cover - Includes motor and gears

#### Service Station

- 156 C4723-60276 Service station assembly

#### Spring

- 157 C4704-80009 Service station spring

#### Support

- 158 C4723-60290 Electronics support frame and cover supports - Includes the support located above the refill interconnect cable and the two supports used to mount the rear cover

#### Trim

- 159 C4704-60113 Right trim assembly - At right of entry platen
- 160 C4723-60111 Left trim assembly - At left of entry platen

### Paper Drive Parts

#### Bail

- 315 C4723-60279 Bail assembly - Mounting strip assembly for the starwheel mount assemblies (Not included) - Extends width of plotter

#### Bushing

- 316 C1633-40082 Pincharm spring retaining bushing

#### Cam

- 317 C3180-40020 Pinch arm cam - Attached to pinch arm (Media) lever
- 318 C3190-60149 Left cam journal - Mounted on left end of pincharm shaft

#### Gear

- 319 C1633-40019 Overdrive gear cluster

#### Guard

- 320 C4723-60250 Starguard starwheel cover assembly

**Paper Drive Parts**
**Guide**

321 C4723-60110 Media guide - Mounted above the entry platen

**Lever**

322 C4704-40059 Pinch arm (media) lever - Used when loading paper

**Link**

323 C4723-00025 Front wire link

**Motor**

324 C4723-60303 X-AXIS motor assembly - Includes motor, belt, and worm gear - No longer supplied - Order X-AXIS motor assembly kit  
 NO LONGER SUPPLIED

C4724-60053 *New Part for C4723-60303*

325 C4724-60053 X-Axis motor assembly kit - New design does not use a belt - Kit includes motor with attached worm gear, helical gear, motor mount, screws and nuts for mounting the parts, grease for the helical gear, installation instructions

**Overdrive Assy**

326 C4723-60234 Overdrive assembly - Includes overdrive shims, clutch and overdrive gear

**Pincharm**

327 C4723-60247 Pincharm Assembly - Curved black plastic plate with 4 small rubber rollers (Does NOT include spring or bushing)

**Platen**

328 C4723-60246 Entry Platen Assembly - Curved cover/guide that is next to the paper drive (Platen) roller

**Roller**

329 C4723-60242 Paper drive (Platen) roller assembly - Long gear driven roller

**Sensor**

330 C4704-60052 Pincharm sensor

331 C4704-60195 Media sensor assembly - Includes, edge measuring and secondary levers, media sensor and holder

**Shaft**

332 C4723-60240 Pincharm shaft assembly - Includes cam journals mounted on each end

**Spring**

333 C1633-80005 Compression spring between pincharm assembly and bushing

**Starwheel Mount**

334 C4704-60143 Big starwheel mount assembly - Includes cover, body, spring and two starwheels

335 C4713-60035 Starwheel mount assembly - Includes cover, body, spring and two starwheels

**Support**

336 C4704-40026 Roller support bracket on left side plate

**Paper and Other Media**
**Canvas**

C6771A Studio canvas (368 gsm) - 91.4cm (36in) x 10.7m (35ft) roll - For regular ink or UV resistant ink

C6773A Studio canvas (368 gsm) - 137.2cm (54in) x 10.7m (35ft) roll - For regular ink or UV-resistant ink

C7966A Canvas with Matte finish - 61cm (24in) x 10.7m (35ft) (USA)

C7967A Canvas with Matte finish - 91.4cm (36in) x 10.7m (35ft) (USA)

C7968A Canvas with Matte finish - 106.7cm (42in) x 10.7m (35ft) (USA)

Q1696A Canvas Matte - 137.2cm (54in) x 10.7m (35ft) (USA)

Q1724A Canvas Paper (180 gsm) - 91.4cm (36in) x 10.7m (35ft) (USA)

**Film (Adhesive)**

C6760A 3M 8522CP opaque imaging media - 91.4cm (36in) x 13.7m (45ft) roll - Flexible white opaque vinyl with removable pressuresensitive adhesive backing for outdoor use - UV ink only

C6761A 3M 8519CP lustre (Semi-gloss) overlamine - 91.4cm (36in) x 22.9m (75ft) roll - Vinyl with pressure sensitive adhesive backing - Used to protect 3M 8522CP opaque imaging media

**Paper and Other Media****Film (Adhesive)**

C6762A	3M 8520CP matte overlaminate - 91.4cm (36in) x 22.9m (75ft) roll - Vinyl with pressure sensitive adhesive backing - Used to protect 3M 8522CP opaque imaging media
C1882A	3M 8522CP opaque imaging media - 137.2cm (54in) x 13.7m (45ft) roll - Flexible white opaque vinyl with removable pressure sensitive adhesive backing for outdoor use - UV ink only
C1884A	3M 8519CP Lustre (semi-gloss) Overlaminate - 137.2cm (54in) x 22.9m (75ft) roll - Vinyl with pressure sensitive adhesive backing - Used to protect 3M 8522CP opaque imaging media
C1886A	3M 8520CP matte overlaminate - 137.2cm (54in) x 22.9m (75ft) roll - Vinyl with pressure sensitive adhesive backing - Used to protect 3M 8522CP opaque imaging media

**Film (Cling)**

Q1914A	Two View Cling film - 91.4cm (36in) x 22.9m (75ft)
Q1915A	Two View Cling film - 106.7cm (42in) x 22.9m (75ft)

**Film (Glossy)**

C6794A	Durable Imaging Glossy UV media - For UV ink only - 91.4cm (36in) x 30.5m (100ft) roll
C6795A	Durable Imaging Glossy UV media - For UV ink only - 137.2cm (54in) x 30.5m (100ft) roll

**Film (Matte)**

C7909A	Double Matte Eraseable Film - 61cm (24in) x 38.1m (125ft) (USA)
C7910A	Double Matte Eraseable Film - 76.2cm (30in) x 38.1m (125ft) (USA)
C7911A	Double Matte Eraseable Film - 91.4cm (36in) x 38.1m (125ft) (USA)
C7912A	Double Matte Film - 106.7cm (42in) x 38.1m (125ft) (USA)
Q1736A	Polyester Film White Matte - 91.4cm (36in) x 15.2m (50ft) (USA)
Q1737A	Polyester Film White Matte - 137.2cm (54in) x 15.2m (50ft) (USA)

**Film (Opaque)**

C7955A	Opaque White Glossy Polyester Film - 61cm (24in) x 15.2m (50ft) (USA)
C7956A	Opaque White Glossy Film - 91.4cm (36in) x 15.2m (50ft) (USA)
C7957A	Opaque Polyester Film - 106.7cm (42in) x 3.0m (10ft) (USA)
C7958A	Opaque Polyester Film - 137.2cm (54in) x 15.2m (50ft) (USA)

**Paper**

C7922A	Basic Bond paper - 106.7cm (42in) x 45.7m (150ft)
C7923A	Basic Heavyweight Paper - 61cm (24in) x 30.5m (100ft) (USA and Asia/Pacific)
C7924A	Basic Heavyweight Paper - 91.4cm (36in) x 30.5m (100ft) (USA and Asia/Pacific)
C7925A	Basic Heavyweight Paper - 106.7cm (42in) x 30.5m (100ft) (USA and Asia/Pacific)
C7926A	Basic Heavyweight Paper - 137.2cm (54in) x 30.5m (100ft) (USA and Asia/Pacific)
C7929A	Super Heavyweight Paper - 61cm (24in) x 22.9m (75ft) (USA and Asia/Pacific)
C7930A	Super Heavyweight Paper - 91.4cm (36in) x 22.9m (75ft) (USA and Asia/Pacific)
C7931A	Super Heavyweight Paper - 106.7cm (42in) x 22.9m (75ft) (USA)
C7932A	Super Heavyweight Paper - 137.2cm (54in) x 22.9m (75ft) (USA)
C7950A	Outdoor Billboard - 137.2cm (54in) x 30.5m (100ft) (USA)
C8284A	Basic Coated Paper - 137.2cm (54in) x 45.7m (150ft) (USA and Asia/Pacific)
Q1396A	Universal Bond Paper - 61cm (24in) x 30.5m (100ft)
Q1397A	Universal Bond Paper - 91.4cm (36in) x 30.5m (100ft)
Q1398A	Universal Bond Paper - 106.7cm (42in) x 30.5m (100ft)
Q1432A	Yupo Synthetic Paper - 91.4cm (36in) x 30.5m (100ft)
Q1434A	Yupo Synthetic Paper - 137.2cm (54in) x 30.5m (100ft)
Q1703A	Fine Art Aquarella paper - 91.4cm (36in) x 10.7m (35ft) roll (USA)
Q1706A	Fine Art Vanilla paper - 91.4cm (36in) x 10.7m (35ft) (USA)

**Paper and Other Media****Paper**

Q1709A	Fine Art Cream paper - 91.4cm (36in) x 10.7m (35ft) roll (USA)
Q1712A	Fine Art Ice Blue paper - 91.4cm (36in) x 10.7m (35ft) (USA)
Q1715A	Fine Art Sahara paper - 91.4cm (36in) x 10.7m (35ft) roll (USA)
Q1730A	Outdoor Paper - 91.4cm (36in) x 30.5m (100ft) (USA)
Q1731A	Outdoor Paper - 137.2cm (54in) x 30.5m (100ft) (USA)
Q1733A	Indoor Self Adhesive Paper - 91.4cm (36in) x 22.9m (75ft) (USA)
Q1734A	Indoor Self Adhesive paper - 137.2cm (54in) x 22.9m (75ft) (USA)
Q1739A	Heat Transfer Paper - 91.4cm (36in) x 30.5m (100ft) (USA)
Q1740A	Heat Transfer Paper - 137.2cm (54in) x 30.5m (100ft) (USA)
Q1745A	Paper Backed Fabric Polyester - 91.4cm (36in) x 10.1m (33ft) (USA)
Q1746A	Paper Backed Fabric Polyester - 137.2cm (54in) x 10.1m (33ft) (USA)
Q1748A	Paper Backed Fabric Silk Satin - 91.4cm (36in) x 10.1m (33ft) (USA)
Q1749A	Paper Backed Fabric Silk Satin - 137.2cm (54in) x 10.1m (33ft) (USA)
Q1757A	Fluorescent Yellow Colored Paper - 91.4cm (36in) x 45.7m (150ft) (USA)
Q1760A	Yellow Colored Paper - 91.4cm (36in) x 45.7m (150ft) (USA)
Q1899A	Scrim Banner paper - 106.7cm (42in) x 15.2m (50ft)
Q1904A	Polypropylene with Matte finish - 106.7cm (42in) x 22.9m (75ft)
Q1906A	Polypropylene with Matte finish - 137.2cm (54in) x 22.9m (75ft)
Q1907A	Polypropylene with Matte finish - 152.4cm (60in) x 22.9m (75ft)
Q1908A	Polypropylene Adhesive Back print media - 91.4cm (36in) x 21.3m (70ft)
Q1909A	Polypropylene Adhesive Back print media - 106.7cm (42in) x 21.3m (70ft)

**Paper (Backlit)**

C7875A	Large format Colorlucet backlit UV media - 91.4cm (36in) x 3.0m (10ft)
C7960A	Backlit Reverse Print paper - 91.4cm (36in) x 22.9m (75ft) (USA)
C7961A	Backlit Reverse Print paper - 137.2cm (54in) x 22.9m (75ft) (USA)
C6778A	Colorlucet backlit UV paper - 91.4cm (36in) x 30.5m (100ft) roll - For UV (pigmented) inks ONLY
C6779A	Colorlucet backlit UV paper - 137.2cm (54in) x 30.5m (100ft) roll - For UV (pigmented) inks ONLY

**Paper (Banner)**

Q1898A	Scrim Banner - 91.4cm (36in) x 15.2m (50ft)
Q1901A	Scrim Banner paper - 137.2cm (54in) x 15.2m (50ft)
C6786A	Banner paper with Tyvek (140 gsm) - UV ink only - 61cm (24in) x 15.2m (50ft) roll NO LONGER SUPPLIED
C6787A	Banner paper with Tyvek (140 gsm) - UV ink only - 91.4cm (36in) x 15.2m (50ft) roll
C6789A	Banner paper with Tyvek (140 gsm) - UV ink only - 91.4cm (36in) x 15.2m (50ft) roll

**Paper (Bright White)**

C1860A	Bright white InkJet paper - 61cm (24in) x 45.7m (150ft) roll
C1861A	Bright white InkJet paper - 91.4cm (36in) x 45.7m (150ft) roll
C6810A	Bright white InkJet paper - 91.4cm (36in) x 91.4m (300ft) roll

**Paper (Coated)**

C6019A	Coated Paper (98 gsm) - 61cm (24in) x 45.7m (150ft)
C8281A	Basic Coated Paper - 61cm (24in) x 45.7m (150ft) (USA and Asia/Pacific)
Q1412A	Universal Heavyweight Coated paper - 61cm (24in) x 30.5m (100ft)
Q1413A	Universal Heavyweight Coated Paper - 91.4cm (36in) x 30.5m (100ft)
Q1416A	Heavyweight Coated Paper - 152.4cm (60in) x 30.5m (100ft)

**Paper and Other Media****Paper (Coated)**

C6019B	Coated paper (98 gsm) - 61cm (24in) x 45.7m (150ft) roll (USA, Canada, and Latin America)
C6021B	Heavyweight coated paper - 61cm (24in) x 30.5m (100ft) roll (USA, Canada, and Latin America) NO LONGER SUPPLIED
C6027A	Coated paper (98 gsm) - 61cm (24in) x 45.7m (150ft) roll (Europe, Asia/Pacific, and Japan) NO LONGER SUPPLIED
C6029B	Heavyweight coated paper - 61cm (24in) x 30.5m (100ft) roll (Europe, Asia/Pacific, and Japan) NO LONGER SUPPLIED
C6029C	Heavyweight coated paper - 61cm (24in) x 30.5m (100ft) roll - For regular or UV resistant ink
C6020B	Coated paper (98 gsm) - 91.4cm (36in) x 45.7m (150ft) roll (USA, Canada, and Latin America)
C6022B	Heavyweight coated paper - 91.4cm (36in) x 30.5m (100ft) roll (USA, Canada, and Latin America) NO LONGER SUPPLIED
C6028A	Coated paper (98 gsm) - 91.4cm (36in) x 45.7m (150ft) roll (Europe, Asia/Pacific, and Japan) NO LONGER SUPPLIED
C6030B	Heavyweight coated paper - 91.4cm (36in) x 30.5m (100ft) roll (Europe, Asia/Pacific, and Japan) NO LONGER SUPPLIED
C6030C	Heavyweight coated paper - 91.4cm (36in) x 30.5m (100ft) roll - For regular or UV resistant ink
C6559B	Coated paper (98 gsm) - 106.7cm (42in) x 45.7m (150ft) roll (USA, Canada, and Latin America)
C6561B	Heavyweight coated paper - 106.7cm (42in) x 30.5m (100ft) roll (USA, Canada, and Latin America) NO LONGER SUPPLIED
C6567B	Coated paper (98 gsm) - 106.7cm (42in) x 45.7m (150ft) roll (Europe, Asia/Pacific, and Japan)
C6569B	Heavyweight coated paper - 106.7cm (42in) x 30.5m (100ft) roll (Europe, Asia/Pacific, and Japan) NO LONGER SUPPLIED
C6569C	Heavyweight coated paper - 106.7cm (42in) x 30.5m (100ft) roll - For regular or UV resistant ink
C6560B	Coated paper (98 gsm) - 137.2cm (54in) x 45.7m (150ft) roll (USA, Canada, and Latin America)
C6562B	Heavyweight coated paper - 137.2cm (54in) x 30.5m (100ft) roll (USA, Canada, and Latin America) NO LONGER SUPPLIED
C6568B	Coated paper (98 gsm) - 137.2cm (54in) x 45.7m (150ft) roll (Europe, Asia/Pacific, and Japan)
C6570B	Heavyweight coated paper - 137.2cm (54in) x 30.5m (100ft) roll (Europe, Asia/Pacific, and Japan) NO LONGER SUPPLIED
C6570C	Heavyweight coated paper - 137.2cm (54in) x 30.5m (100ft) roll - For regular or UV resistant ink

**Paper (Fabric)**

Q1435A	Flame Retardant Cloth print media - 91.4cm (36in) x 20.0m (65.6ft)
Q1437A	Flame Retardant Cloth print media - 137.2cm (54in) x 20.0m (65.6ft)
Q1742A	Matte Cotton Fabric print media (190 gsm) - 91.4cm (36in) x 10.1m (33ft) (USA)
Q1918A	Viscose Paper-Back Fabric print media - 91.4cm (36in) x 10.1m (33ft)
Q1919A	Viscose Paper-Back Fabric print media - 106.7cm (42in) x 10.1m (33ft)
Q1920A	Viscose Paper-Back Fabric print media - 137.2cm (54in) x 10.1m (33ft)

**Paper (Glossy)**

C8315A	High Gloss Photo Paper - 61cm (24in) x 30.5m (100ft) (USA and Asia/Pacific)
C8316A	High Gloss Photo Paper - 91.4cm (36in) x 30.5m (100ft) (USA and Asia/Pacific)
Q1426A	Universal High-Gloss Photo Paper - 61cm (24in) x 30.5m (100ft)
Q1427A	Universal High-Gloss Photo Paper - 91.4cm (36in) x 30.5m (100ft)
Q1428A	Universal High-Gloss Photo Paper - 106.7cm (42in) x 30.5m (100ft)
Q1429A	Universal High-Gloss Photo Paper - 137.2cm (54in) x 30.5m (100ft)
Q1430A	Universal High-Gloss Photo Paper - 152.4cm (60in) x 30.5m (100ft)
C6025A	High gloss photo paper - 61cm (24in) x 30.5m (100ft) roll (USA, Canada, and Latin America)
C6033A	High gloss photo paper - 61cm (24in) x 30.5m (100ft) roll (Europe, Asia/Pacific, and Japan)



## Paper and Other Media

### Paper (Glossy)

C6026A	High gloss photo paper - 91.4cm (36in) x 30.5m (100ft) roll (USA, Canada, and Latin America)
C6034A	High gloss photo paper - 91.4cm (36in) x 30.5m (100ft) roll (Europe, Asia/Pacific, and Japan)
C6565A	High gloss photo paper - 106.7cm (42in) x 30.5m (100ft) roll (USA, Canada, and Latin America)
C6573A	High gloss photo paper - 106.7cm (42in) x 30.5m (100ft) roll (Europe, Asia/Pacific, and Japan)
C6566A	High gloss photo paper - 137.2cm (54in) x 30.5m (100ft) roll (USA, Canada, and Latin America)
C6574A	High gloss photo paper - 137.2cm (54in) x 30.5m (100ft) roll (Europe, Asia/Pacific, and Japan)

### Paper (Matte)

C7947A	Photo Paper RC Matte - 137.2cm (54in) x 30.5m (100ft) (USA)
--------	---

### Paper (Photo)

C7946A	Photo Paper RC Matte - 91.4cm (36in) x 30.5m (100ft) (USA)
C8310A	Basic Photo Satin paper - 61cm (24in) x 30.5m (100ft) (USA and Asia/Pacific)
C8311A	Basic Photo Satin paper - 91.4cm (36in) x 30.5m (100ft) (USA and Asia/Pacific)
C8312A	Basic Photo Satin paper - 106.7cm (42in) x 30.5m (100ft) (USA)
C8313A	Basic Photo Satin paper - 137.2cm (54in) x 30.5m (100ft) (USA)
C8317A	High Gloss Photo Paper - 106.7cm (42in) x 30.5m (100ft) (US and Asia/Pacific)
C8318A	High Gloss Photo Paper - 137.2cm (54in) x 30.5m (100ft) (USA and Asia/Pacific)
Q1420A	Semi-Gloss Photo Paper - 61cm (24in) x 30.5m (100ft)
Q1421A	Semi-Gloss Photo Paper - 91.4cm (36in) x 30.5m (100ft)
Q1422A	Semi-Gloss Photo Paper - 106.7cm (42in) x 30.5m (100ft)
Q1424A	Semi-Gloss Photo Paper - 152.4cm (60in) x 30.5m (100ft)

### Paper (Poster)

C7949A	Outdoor Billboard Paper - Blue back - 91.4cm (36in) x 30.5m (100ft) (USA)
--------	---

### Paper (Satin)

C7952A	Proofing Paper RC Satin - 91.4cm (36in) x 30.5m (100ft) (USA)
C7953A	Proofing Paper RC Satin paper - 137.2cm (54in) x 22.9m (75ft) (USA)

### Paper (Semi-Glossy)

Q1423A	Semi-Gloss Photo Paper - 137.2cm (54in) x 30.5m (100ft)
C6023A	Semi-gloss photo paper - 61cm (24in) x 30.5m (100ft) roll (USA, Canada, and Latin America)
C6031A	Semi-gloss photo paper - 61cm (24in) x 30.5m (100ft) roll (Europe, Asia/Pacific, and Japan)
C6782A	Paper based semi-gloss media - 61cm (24in) x 30.5m (100ft) roll NO LONGER SUPPLIED
C6024A	Semi-gloss photo paper - 91.4cm (36in) x 30.5m (100ft) roll (USA, Canada, and Latin America)
C6032A	Semi-gloss photo paper - 91.4cm (36in) x 30.5m (100ft) roll (Europe, Asia/Pacific, and Japan)
C6783A	Paper based semi-gloss media - 91.4cm (36in) x 30.5m (100ft) roll NO LONGER SUPPLIED
C6563A	Semi-gloss photo paper - 106.7cm (42in) x 30.5m (100ft) roll (USA, Canada, and Latin America)
C6571A	Semi-gloss photo paper - 106.7cm (42in) x 30.5m (100ft) roll (Europe, Asia/Pacific, and Japan)
C6564A	Semi-gloss photo paper - 137.2cm (54in) x 30.5m (100ft) roll (USA, Canada, and Latin America)
C6572A	Semi-gloss photo paper - 137.2cm (54in) x 30.5m (100ft) roll (Europe, Asia/Pacific, and Japan)
C6785A	Paper based semi-gloss media - 137.2cm (54in) x 30.5m (100ft) roll NO LONGER SUPPLIED

### Vinyl (Adhesive)

C6775A	Colorfast adhesive vinyl (328 gsm) - 91.4cm (36in) x 12.2m (40ft) roll - For regular ink or UV-resistant ink
C6777A	Colorfast adhesive vinyl (328 gsm) - 137.2cm (54in) x 12.2m (40ft) roll - For regular ink or UV-resistant ink



### Roll Feed Parts

#### Brake/Housing

337 C4704-60199 Brake/housing assembly (on right side) - Accepts the flange end of the spindle rod assembly - Includes the 2 housing pieces, 2 brake shoes, brake gear, brake lever, and springs

#### Cover

338 C4723-60245 Rollfeed access cover - Opens forward to allow access to paper spindle assembly

#### End Cap

339 C2858-40043 Spindle end cap (small) (or core spacer) - Removes for loading the media roll

#### Housing

340 C4704-60082 Housing assembly (on left side)

#### Spacer

C4723-60147 Spacer/media guide for the supply spindle

#### Spindle

342 C4723-60241 Rollfeed spindle rod assembly - Includes flange and core spindle spacer

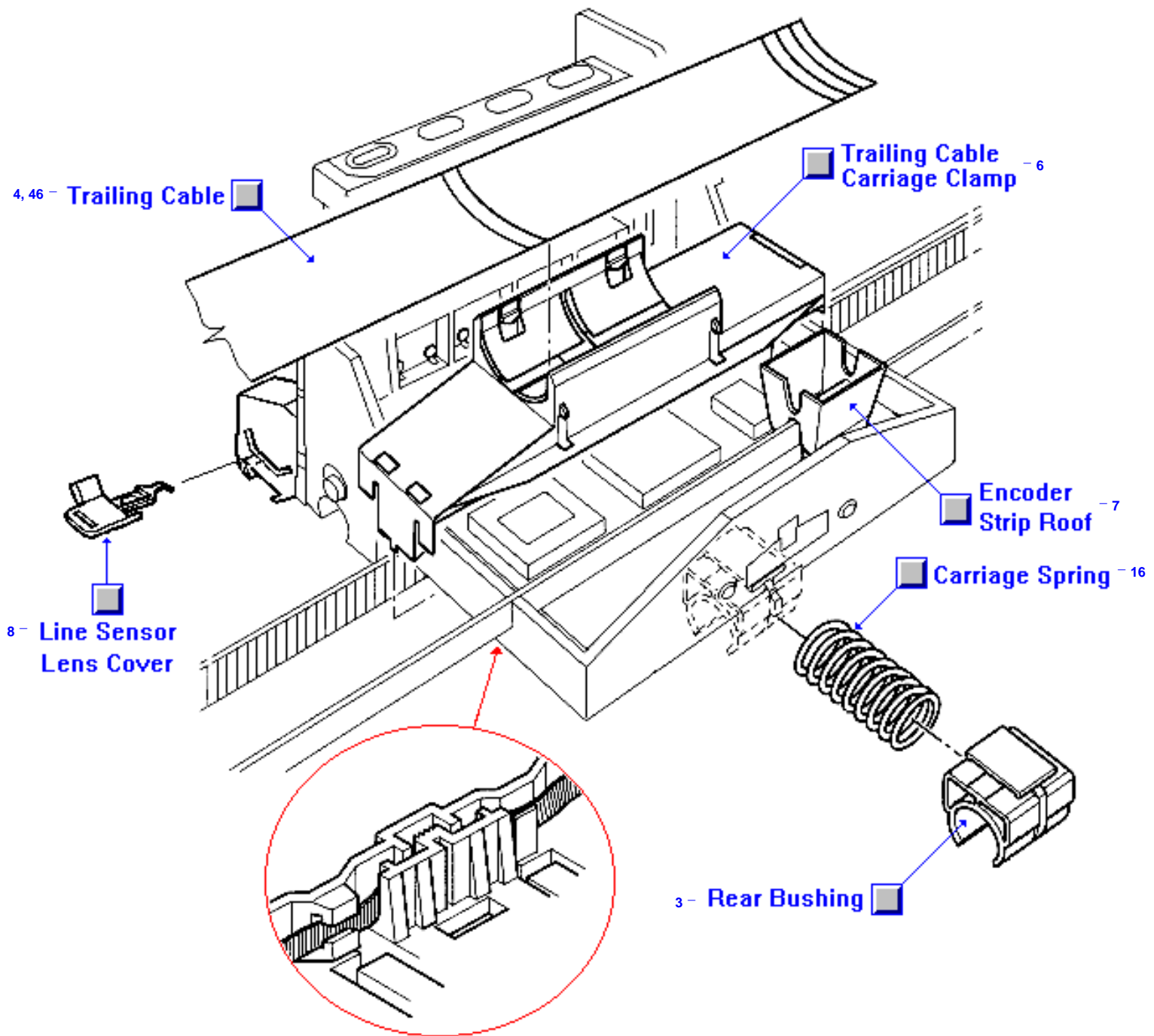
C6248A Rollfeed spindle rod assembly for DesignJet 3000/3500CP - Includes flange and core spindle spacer

#### Spring

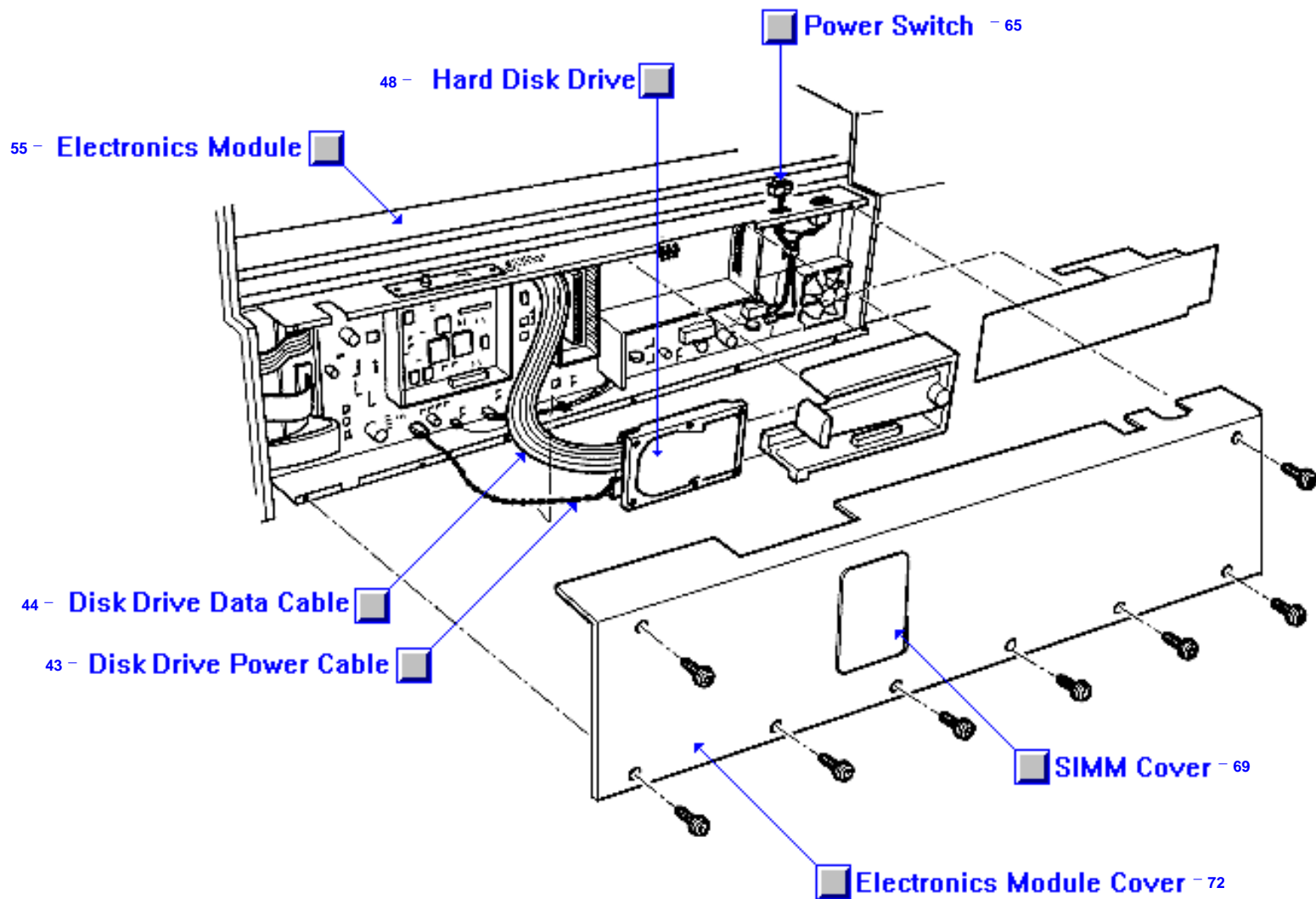
344 C4723-80021 Extension spring - Holds the rollfeed access cover closed

Carriage Assembly

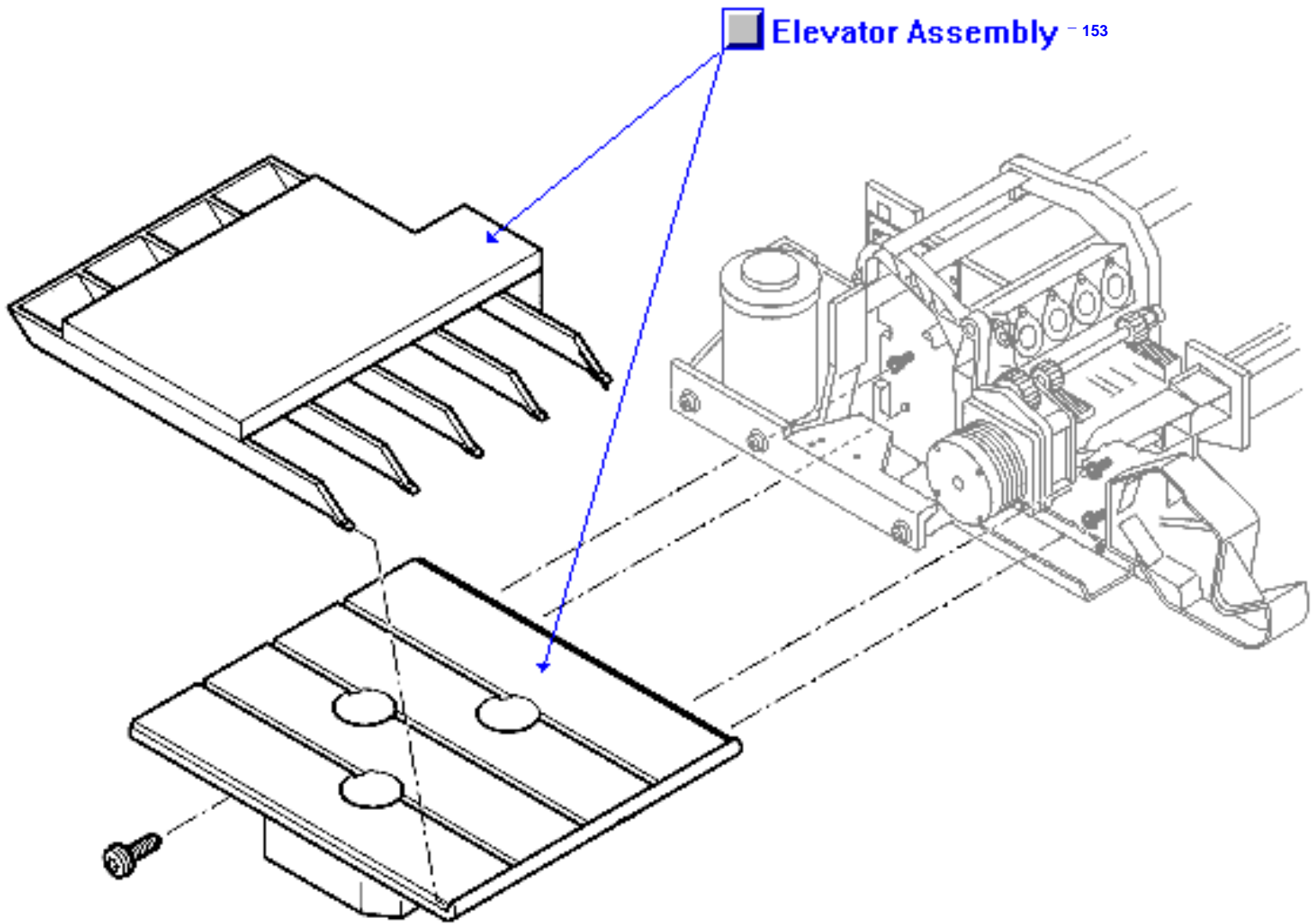
Carriage Assembly - 5, 47



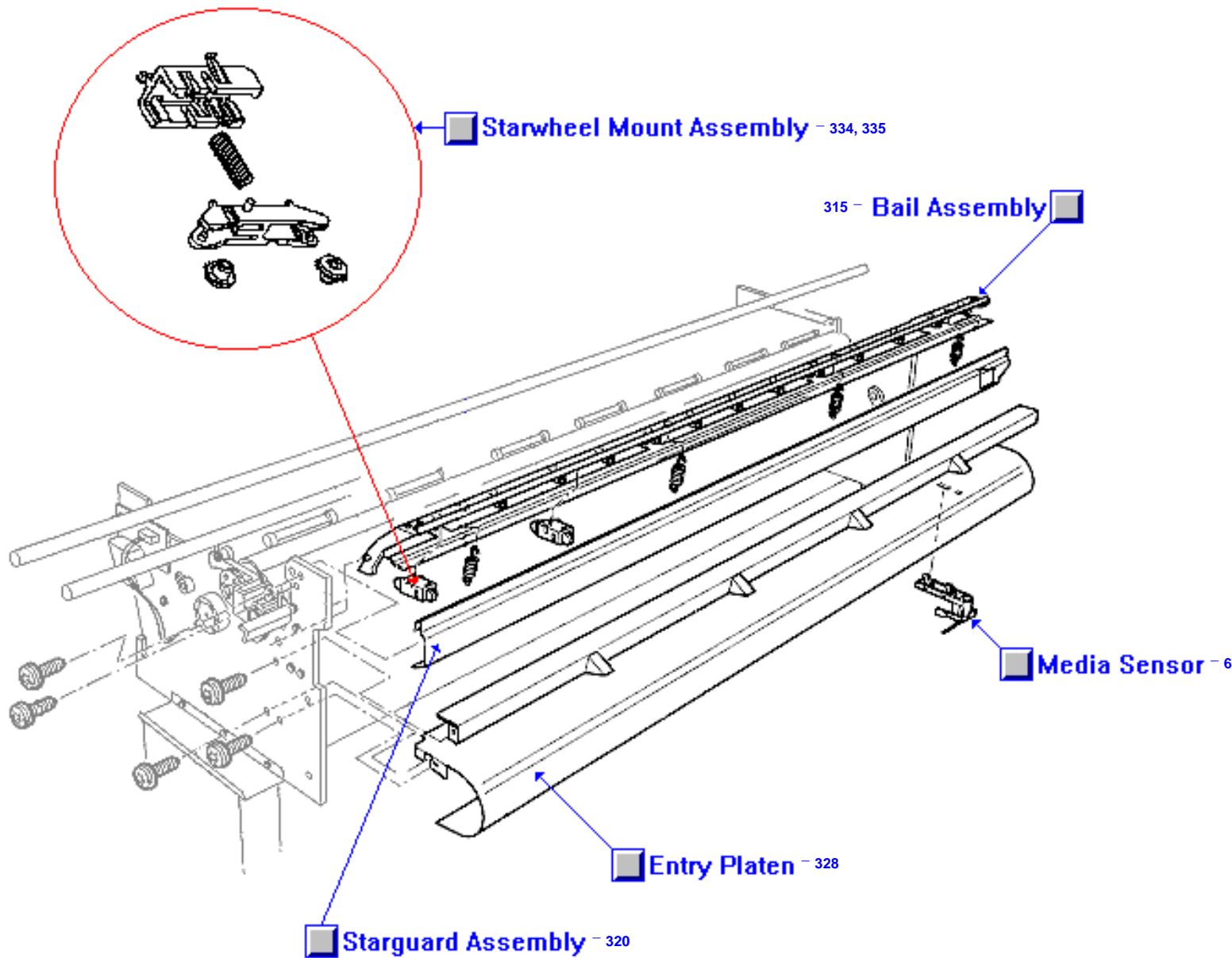
Electronics Module



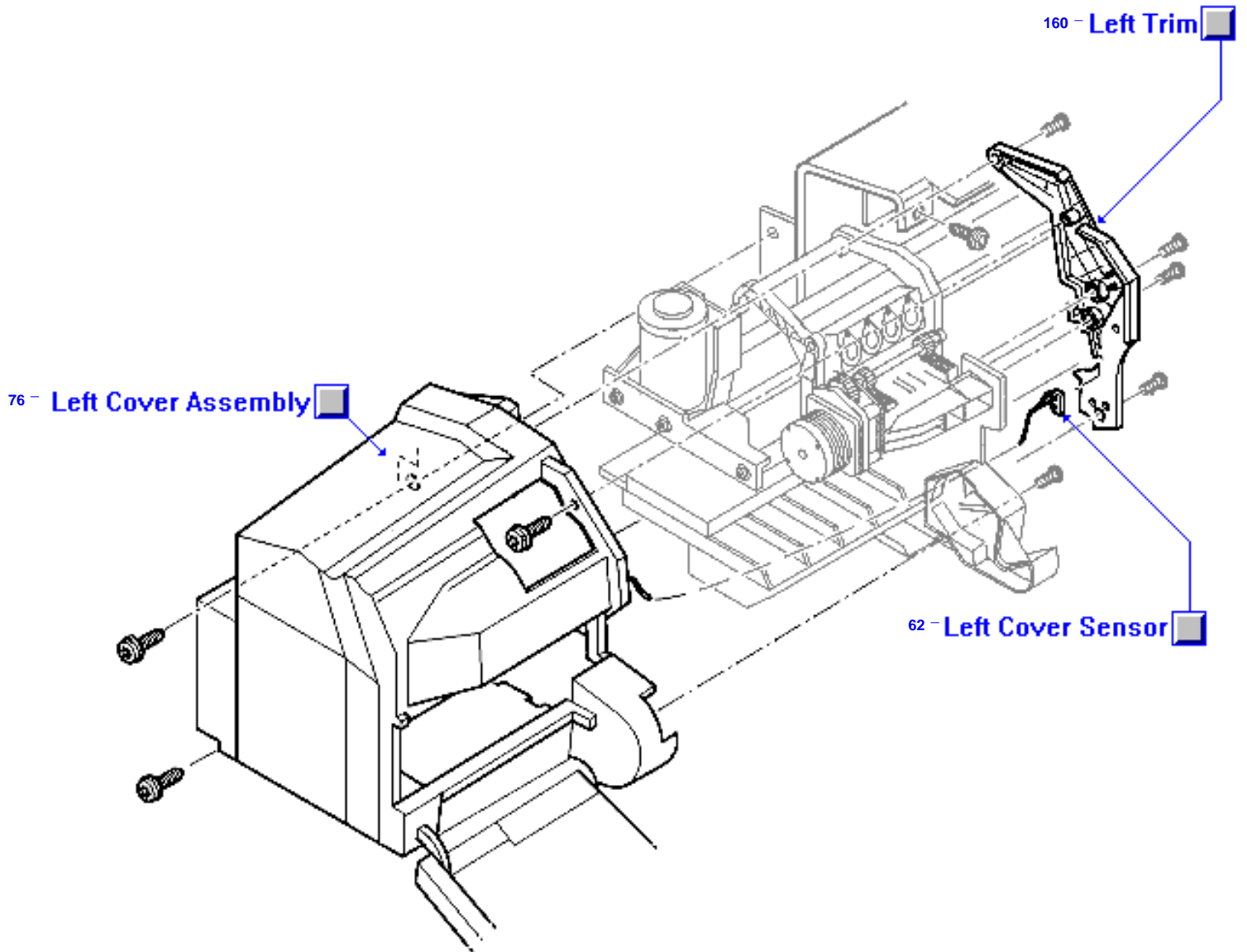
Elevator Assembly



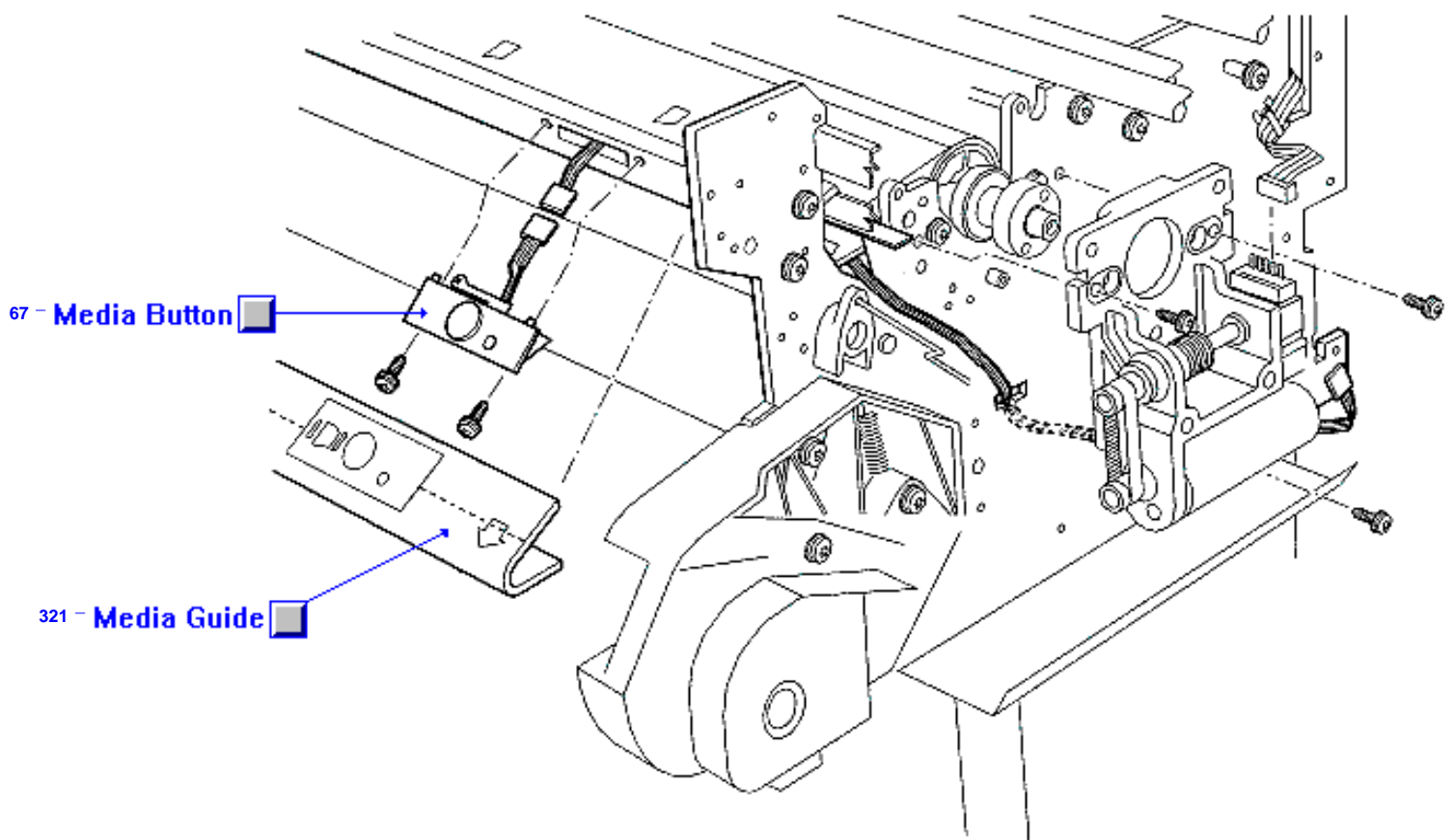
Entry Platen Area



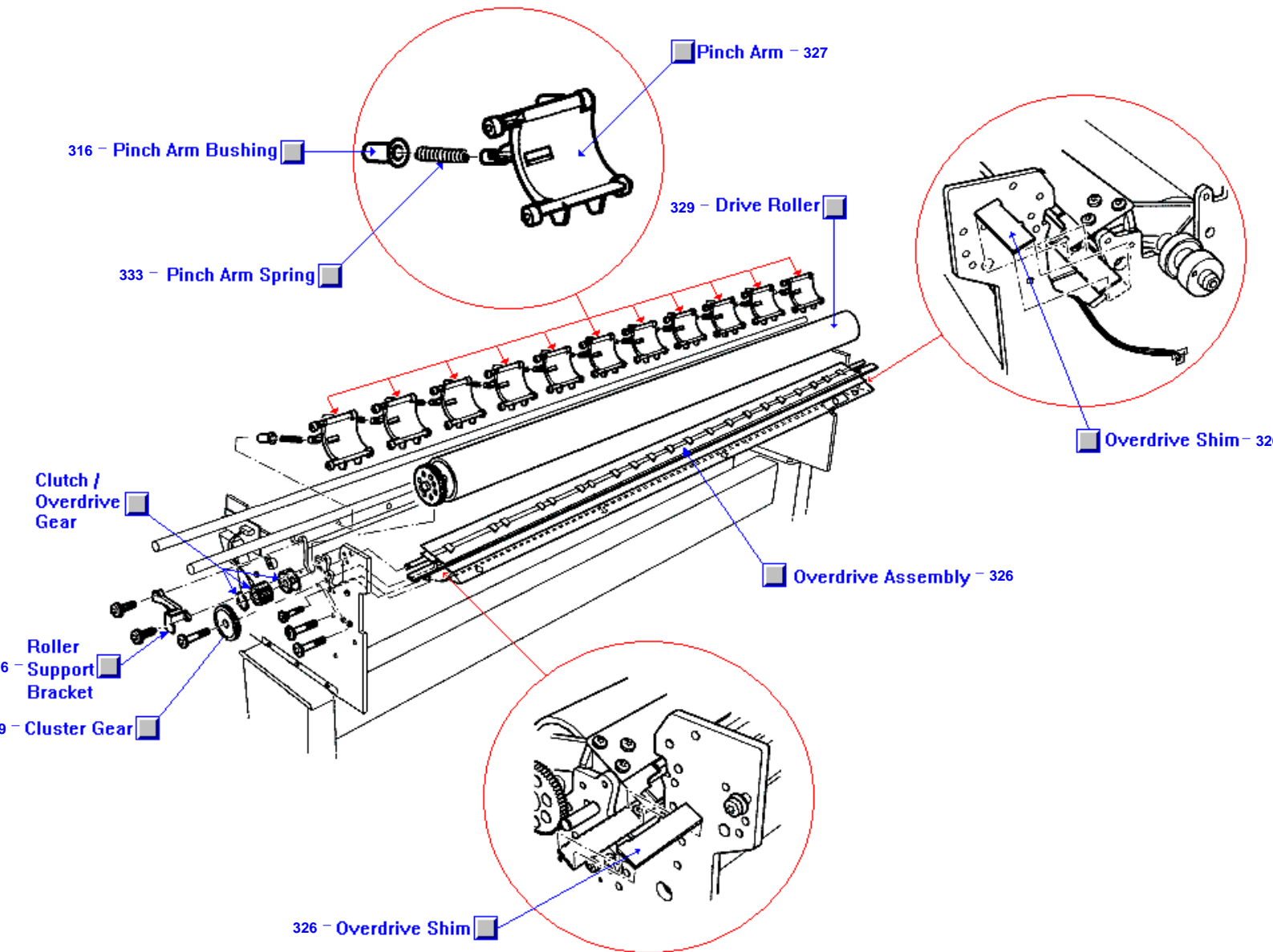
Left Hand Cover Area



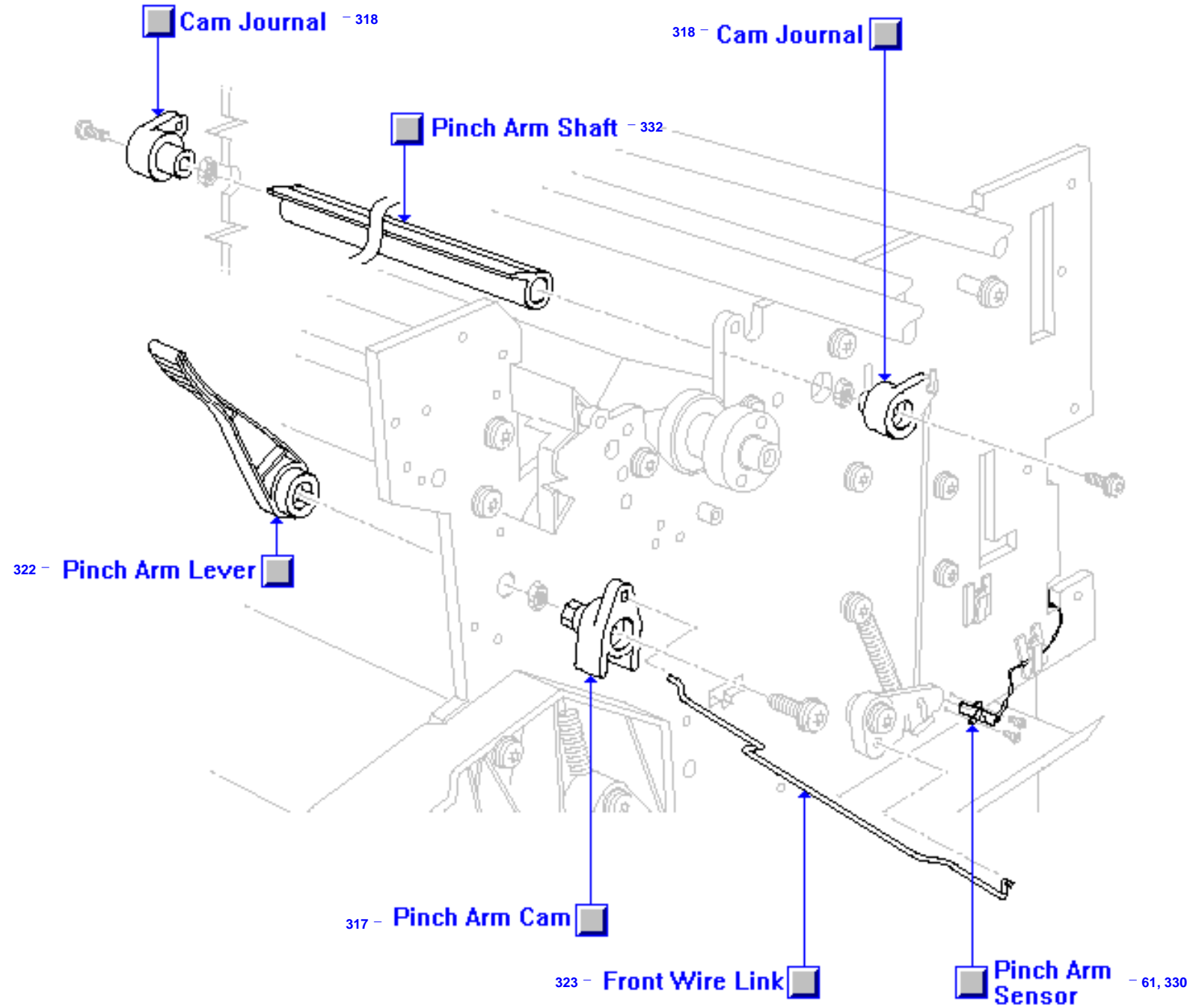
Media Button and Media Guide



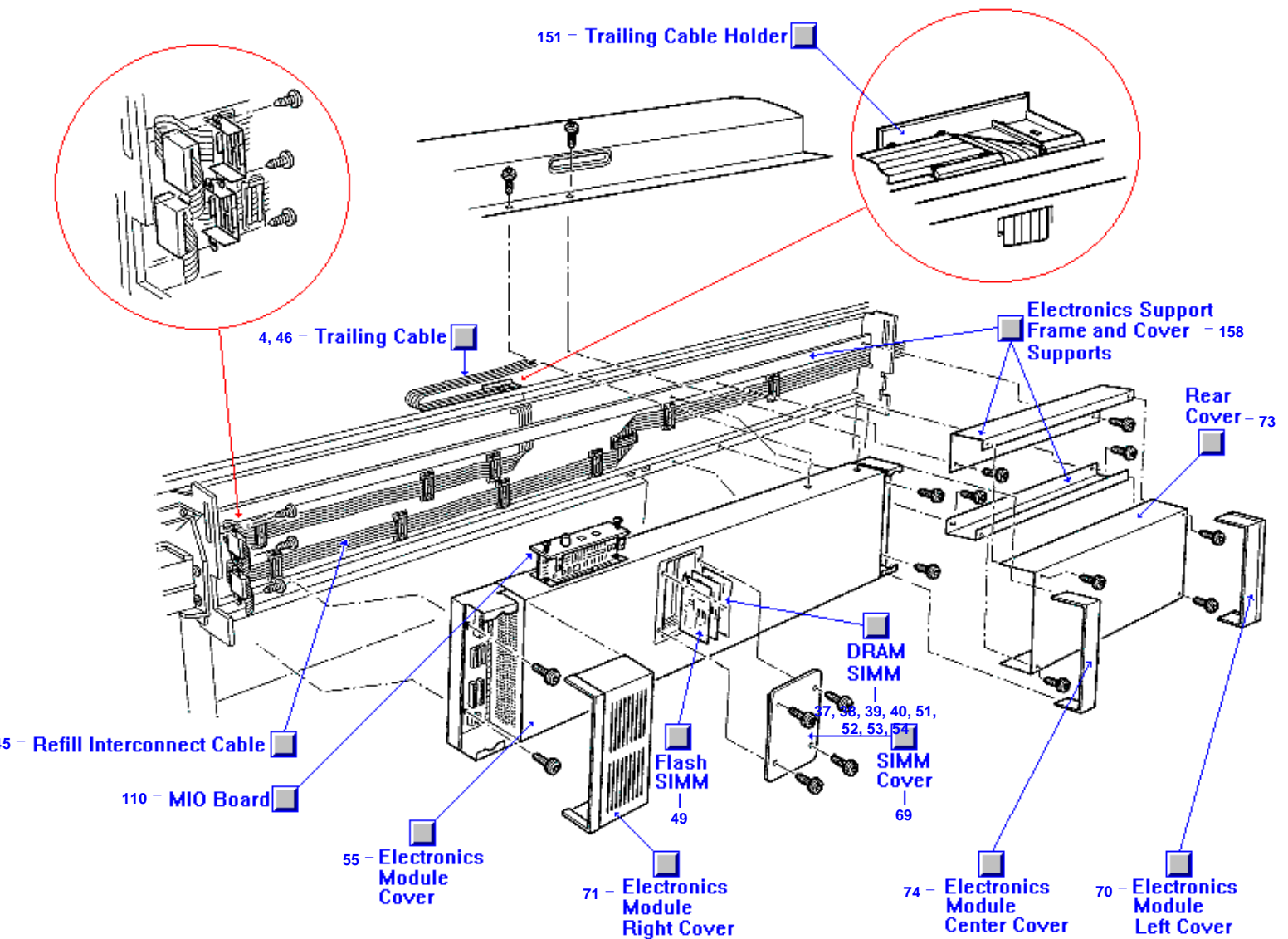
Paper Drive Roller Area



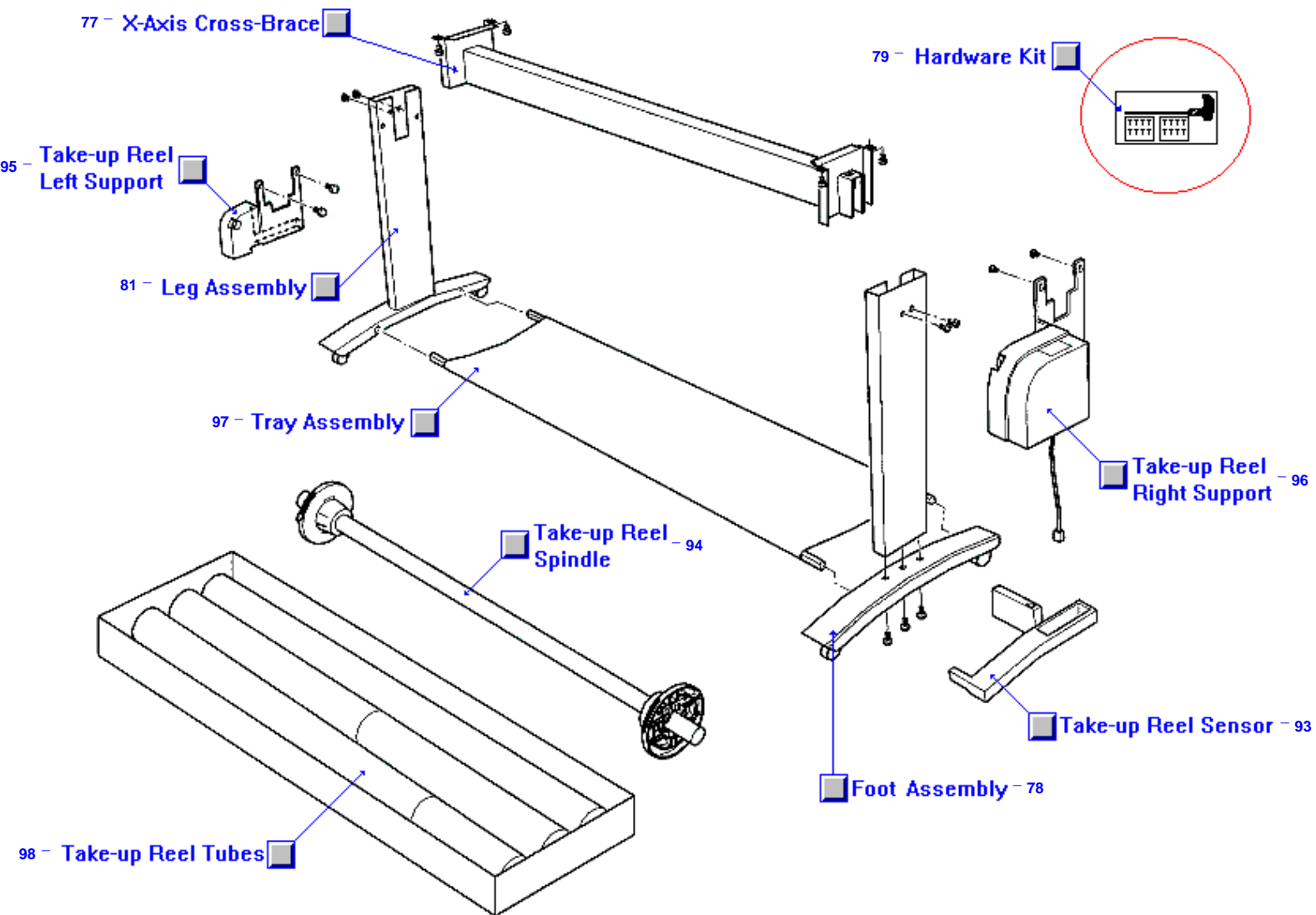
Pinch Arm Assembly



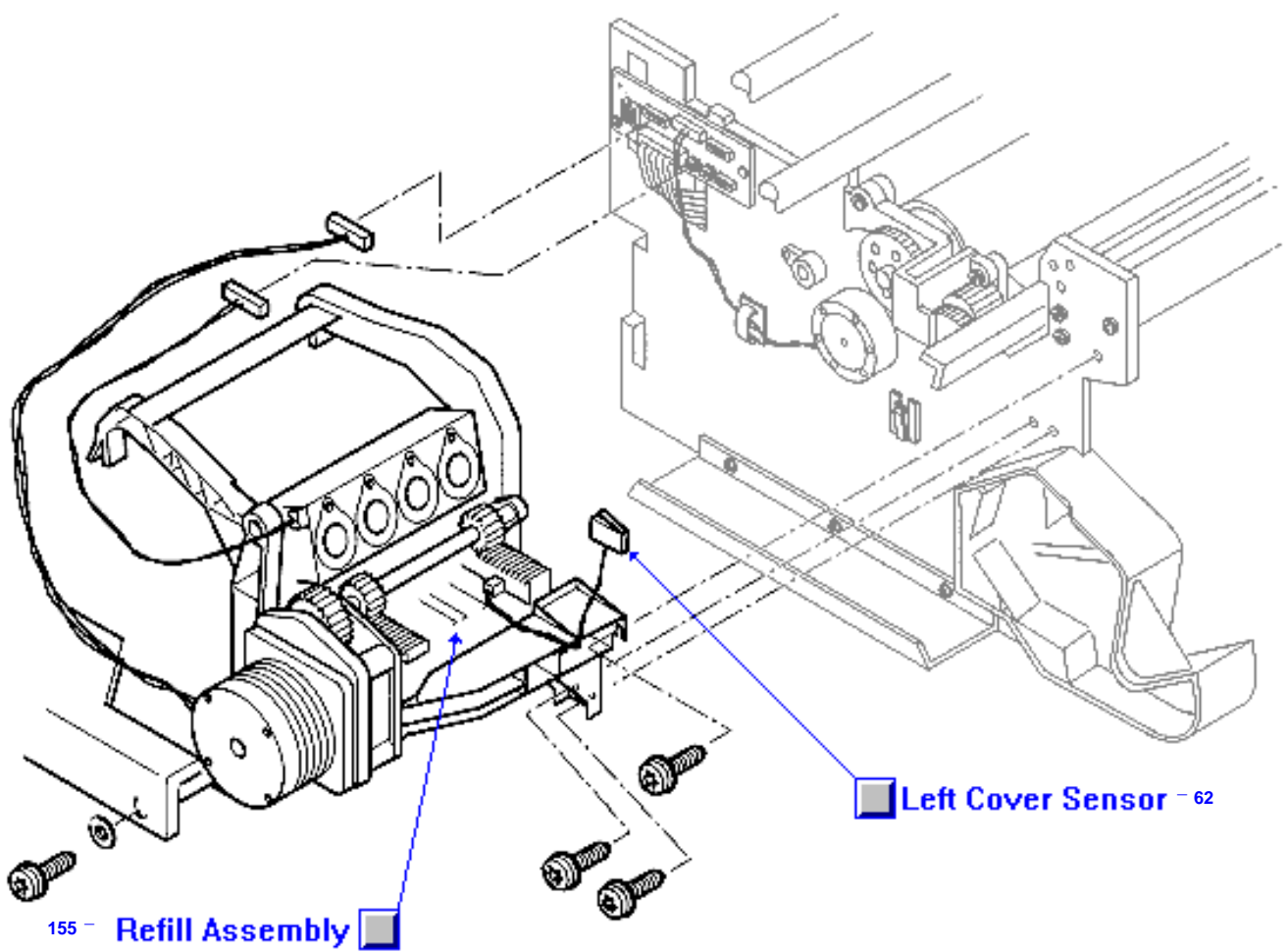
### Printer Rear



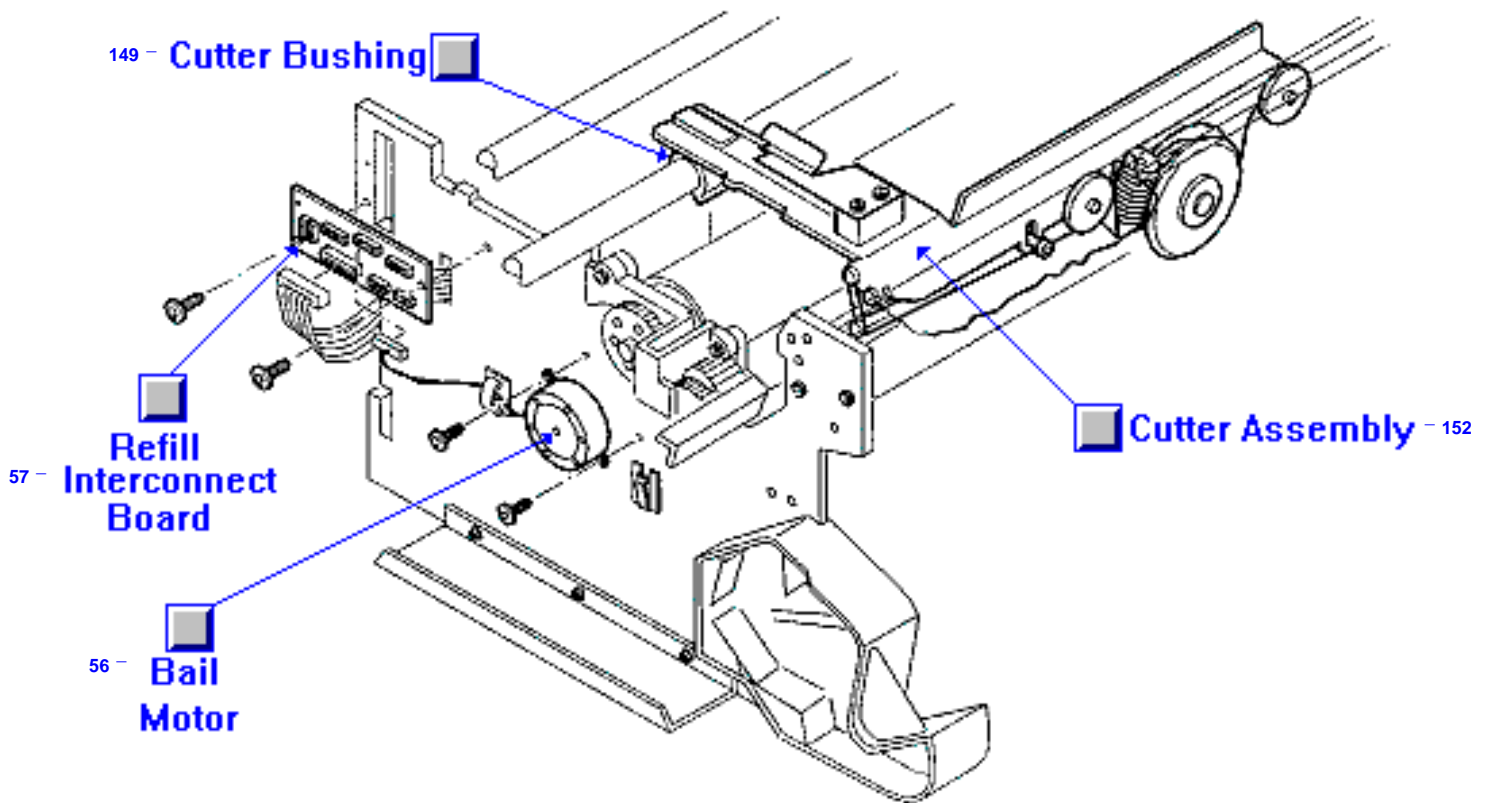
Printer Support



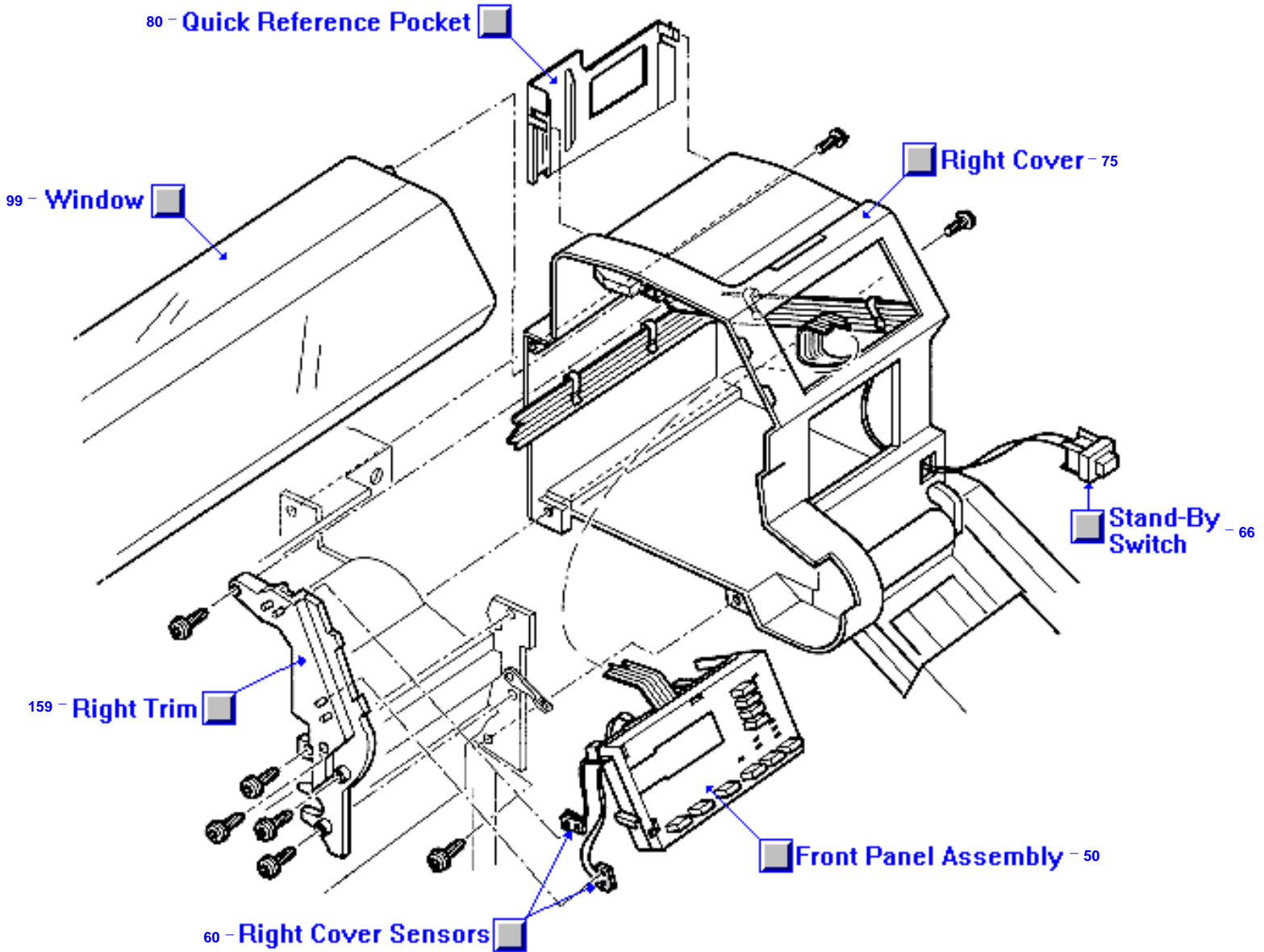
Refill Assembly



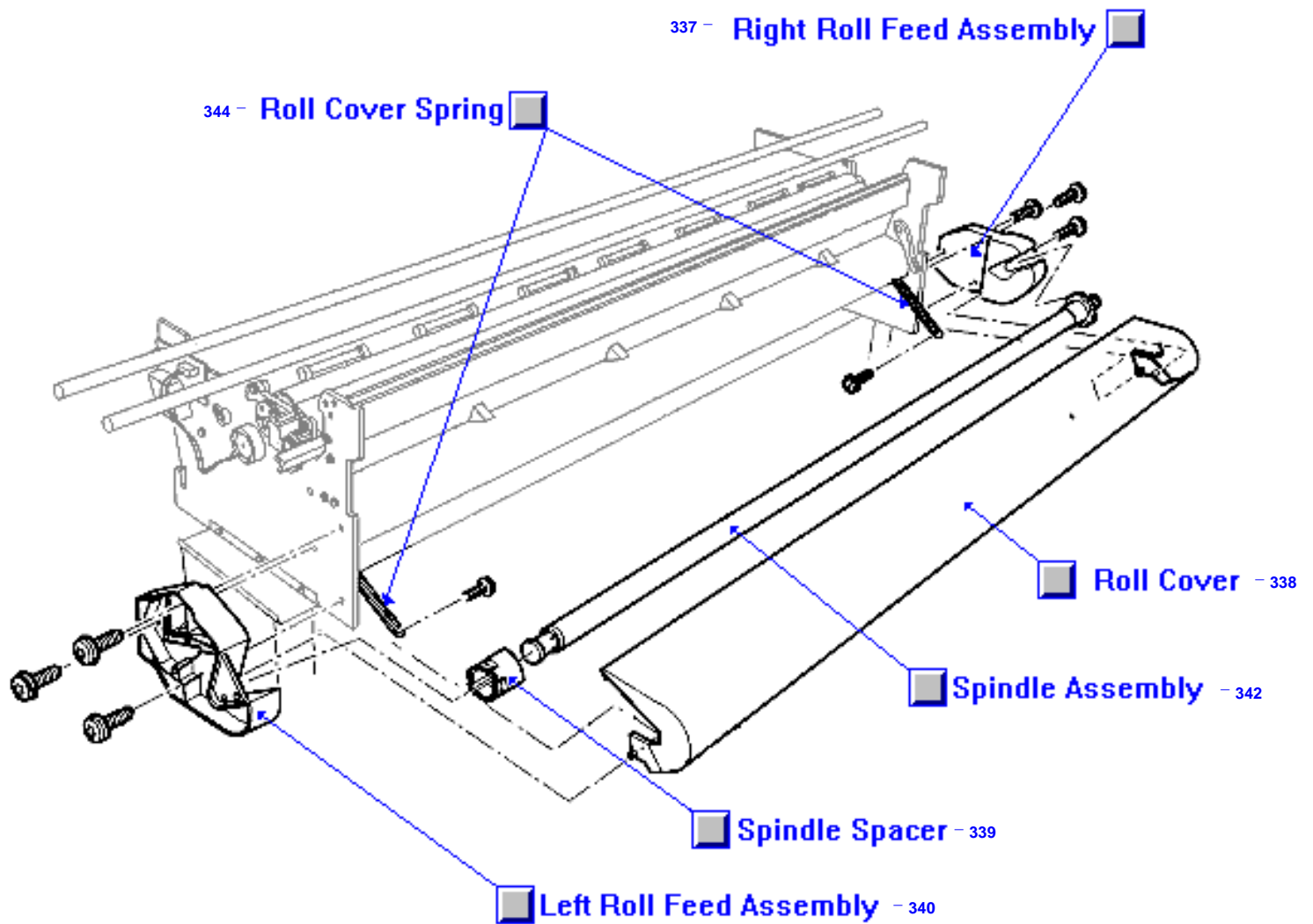
Refill Interconnect Board, Bail Motor and Cutter Assembly



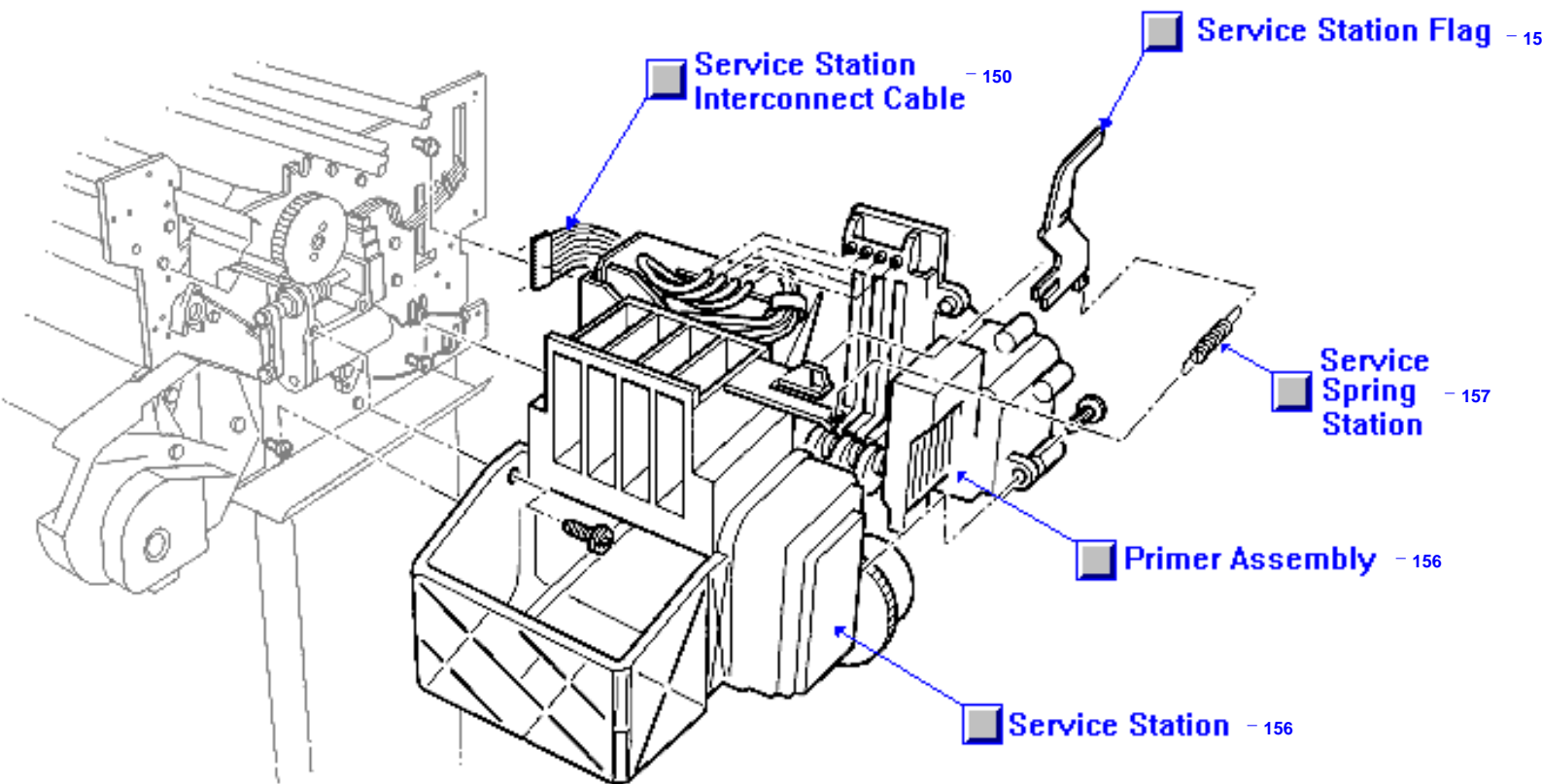
Right Hand Cover Area



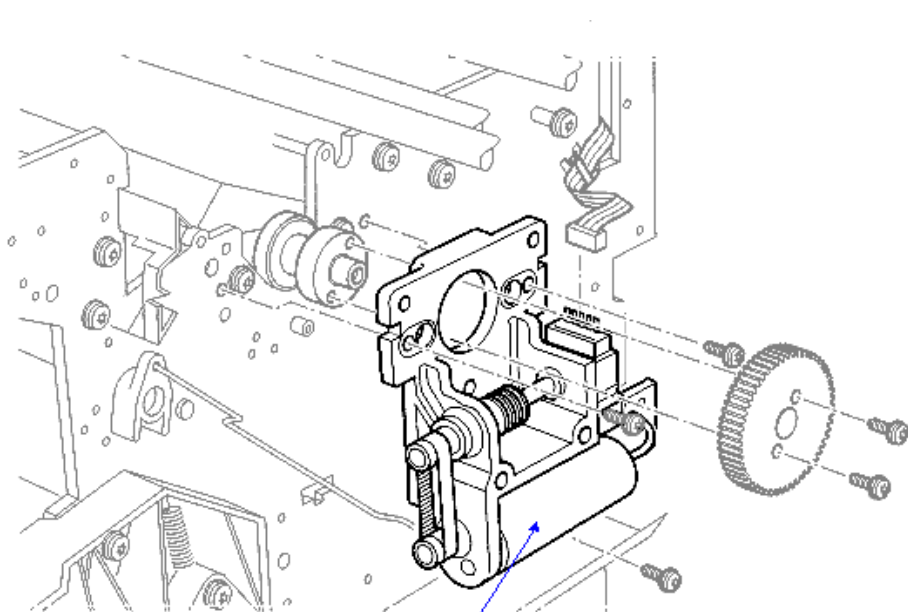
Roll Cover Area



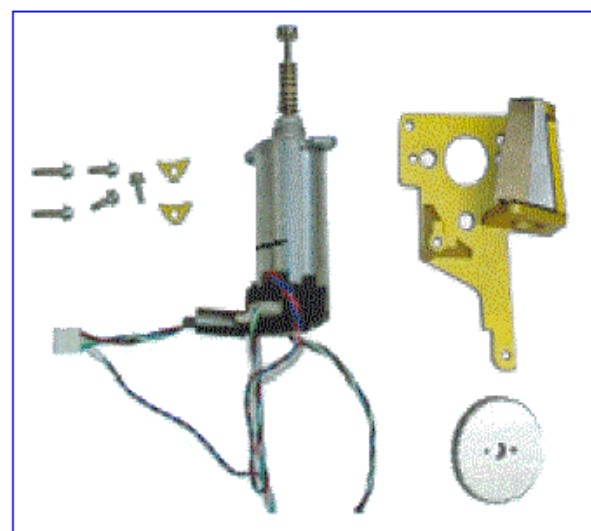
Service Station Assembly



X-Axis Motor Assembly



324, 325 - X-Axis Motor Assembly  
(Old Style)

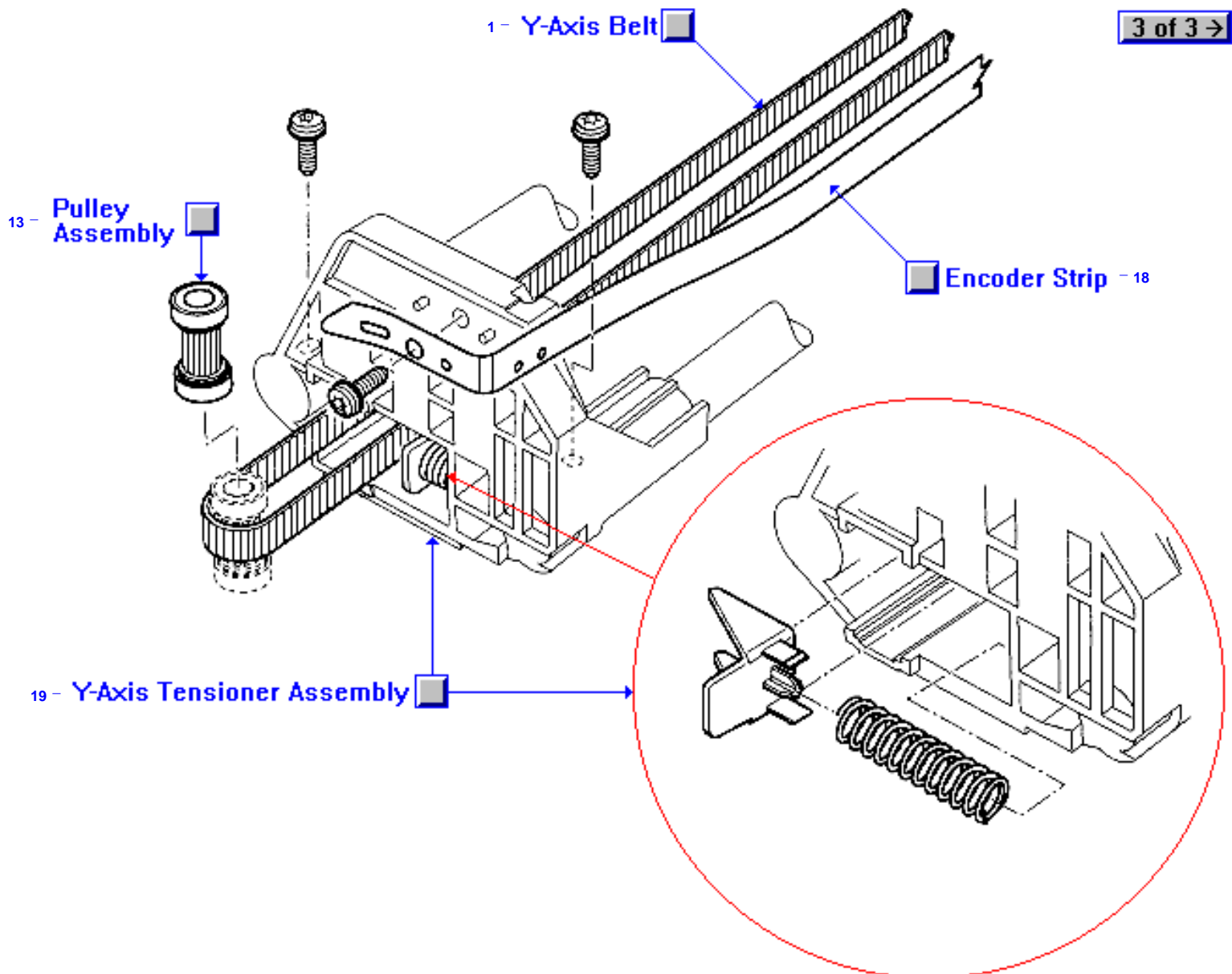


324, 325 - X-Axis Motor Replacement Kit  
(New Style)

Y-Axis Assembly (1 of 3) Belt, Tensioner, Pulley and Encoder

2 of 3 →

3 of 3 →

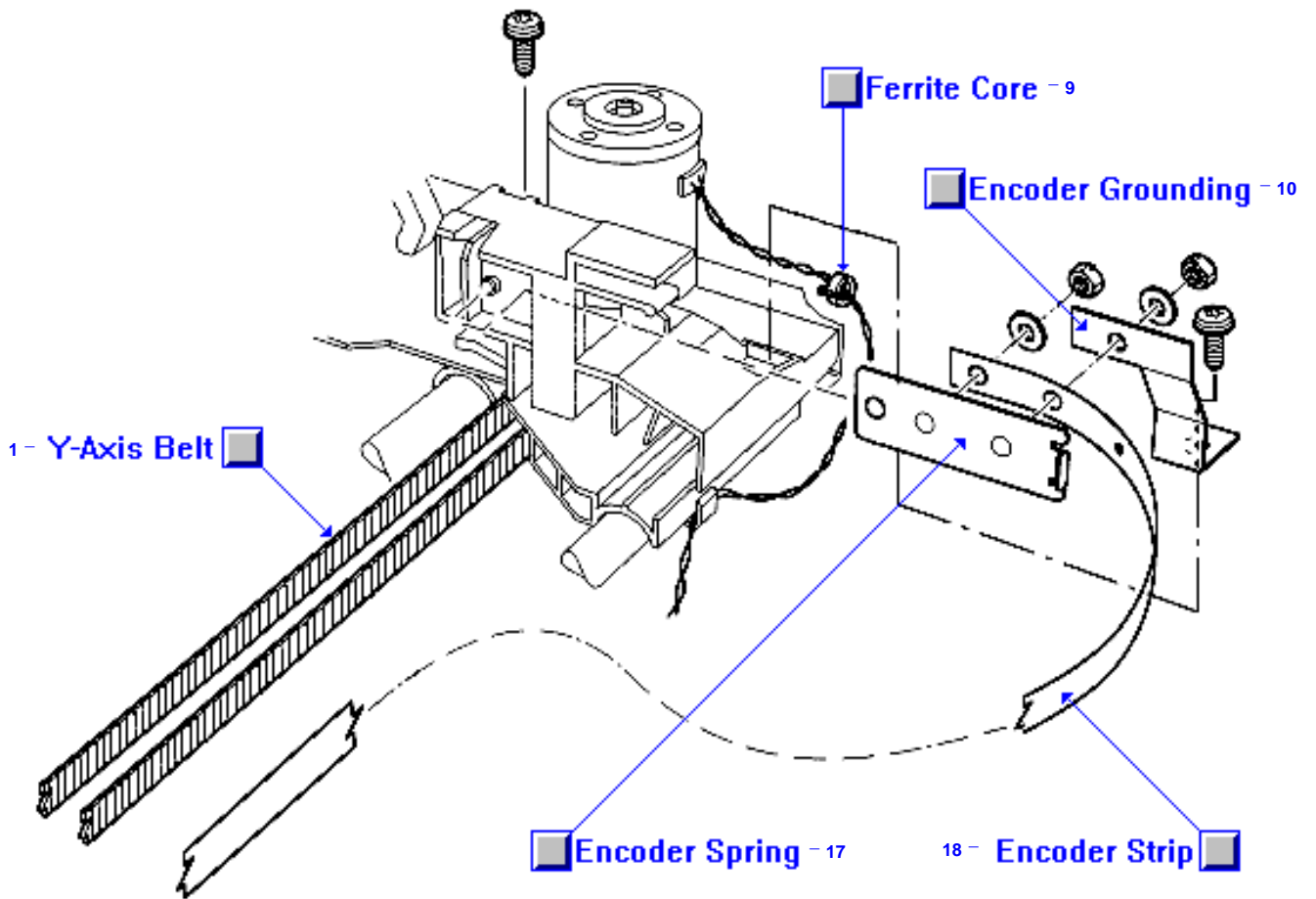


**REAR VIEW**

Y-Axis Assembly (2 of 3) Belt, Encoder Strip, Hardware

← 1 of 3

3 of 3 →

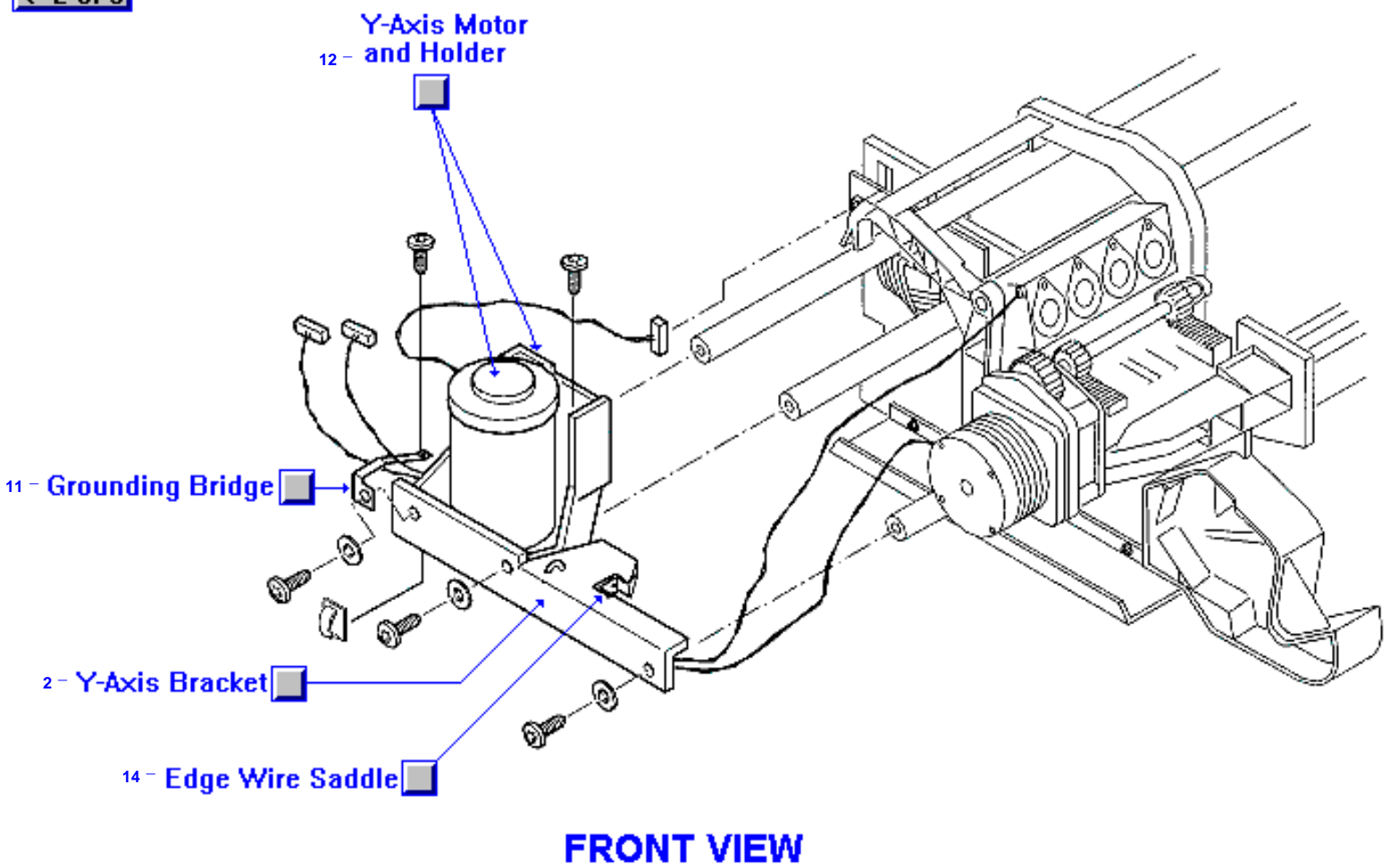


REAR VIEW

Y-Axis Assembly (3 of 3) Motor and Hardware

← 1 of 3

← 2 of 3





**HP Parts Reference Guide**

<http://www.hp.com/go/parts>

**HP PartSurfer**

<http://partsurfer.hp.com>

**HP Parts Ordering Information**

<http://www.hp.com/go/hpparts>

**HP Parts Questions/Comments**

<http://partsurfer.hp.com/contactus.htm>