



Carriage Drive Parts

Belt

1 C4704-60207 Carriage (Y-axis) belt - Drives the carriage assembly

Bracket

2 C4704-00005 Y-axis motor bracket - Includes edge wire saddle - Holds Y-Axis Motor

Bushing

3 C4704-40084 Rear slider rod bushing (Spring loaded)

Cable

4 C4704-60015 Carriage board trailing cable with ferrite - Three ribbon cables bundled together - 1.9m (6.3ft) long

Carriage Kit

5 C4723-69096 Carriage assembly - Includes carriage assembly, line sensor, encoder, rear bushing, calibration pen, digitizing sight, guages - Trailing cable and cable clamp not included
REQUIRES RETURN OF DEFECTIVE PART

C4723-60096 *New Part for C4723-69096*

Clamp

6 C4704-40085 Trailing cable clamp - Secures the trailing cable to the carriage assembly

Cover

7 C4704-40080 Encoder strip roof

8 C4704-60117 Line sensor lens cover

Ferrite Assembly

9 9170-1687 Ferrite core - Installed on Y-AXIS motor cable

Ground Strap

10 C4704-00016 Encoder ground strap - Provides ground to end of encoder strip

11 C4704-00035 Ground strap - Attached to Y-AXIS bracket

Motor

12 C4723-60277 Carriage (Y-Axis) motor assembly - Drives carriage belt - Includes motor, motor holder, and cable

Pulley

13 C4704-60020 Idler pulley - For carriage (Y-axis) belt - On right end of plotter

Saddle

14 0460-2536 Edge wire saddle for Y-axis bracket

Sensor

C4723-60096 Line sensor - Detects paper width and skew - Measures calibration accuracy and printhead alignment

Spring

16 C1633-80014 Compression spring - For the rear bushing on the carriage

17 C4699-00016 Encoder spring

Strip

18 C4704-60224 Encoder strip - Used to determine carriage position

Tensioner

19 C4723-60063 Y-axis tensioner assembly - Applies tension to carriage belt - Includes wedge, tensioner spring, and housing

Electronic Accessories

Cable (Interface)

5063-1256 IEEE-1284 Bi-Tronics parallel cable - DB-25 (M) connector (type A) to 36 pin Centronics (M) connector (type B) - 2.0m (6.6ft) long

5063-1257 IEEE-1284 Bi-Tronics parallel cable - DB-25 (M) connector (type A) to 36 pin Centronics (M) connector (type B) - 3.0m (9.8ft) long

92215S RS-422 serial cable - 8 pin (M) to 8 pin (M) - 2.0m (6.6ft) long - For connecting Apple Macintosh with LocalTalk/serial connector



Electronic Accessories

Cable (Interface)

C2950A	IEEE-1284 Bi-Tronics parallel cable - DB-25 (M) connector (type A) to 36 pin Centronics (M) connector (type B) - 2.0m (6.6ft) long
5063-1256	<i>New Part for C2950A</i>
C2951A	IEEE-1284 Bi-Tronics parallel cable - DB-25 (M) connector (type A) to 36 pin Centronics (M) connector (type B) - 3.0m (9.8ft) long
C2990A	IEEE-1284 Bi-Tronics parallel cable - DB-25 (M) (type A) to 36 pin (M) Centronics (type B) - 1.8m (6ft) long NO LONGER SUPPLIED
C2991A	IEEE-1284 Bi-Tronics parallel cable - DB-25 (M) (type A) to 36 pin (M) Centronics (type B) - 3.0m (10ft) long NO LONGER SUPPLIED

Interface (Product)

J3258B	External JetDirect 170X LAN interface module - Interfaces a parallel printer to an ethernet 10Base-T (RJ-45) LAN
J3263A	External JetDirect 300X LAN interface module - Interfaces a parallel printer to an ethernet 10Base-T (RJ-45) or 100Base-TX (RJ-45) LAN
J4100A	JetDirect 400N modular input/output (MIO) - Internal print server - Provides 10/100Base-T or 10Base-2 network connection using RJ45 or BNC connectors
J4105A	JetDirect 400N modular input/output (MIO) internal print server - Provides token ring network connection using RJ45 or DB9 connectors
J4106A	JetDirect 400N modular input/output (MIO) internal print server - Provides 10Base-T network connection using RJ45 connector
J6060A	External JetDirect 300X print server module (10Base-T and 100Base-T) - Connects between printer parallel port and LAN network - Package of three modules

Memory (Product)

33	C6229A	4MB SIMM memory module - For DesignJet CP printer NO LONGER SUPPLIED
34	C6230A	8MB SIMM memory module - For DesignJet CP printer NO LONGER SUPPLIED
35	C6231A	16MB SIMM memory module - For DesignJet 400, 700, CP series printers NO LONGER SUPPLIED
36	C6232A	32MB SIMM memory module upgrade - For DesignJet 400, 700, CP series printers

Memory (SIMM)

37	1818-6171	4MB EDO (Extended Data Output) DRAM SIMM memory module
38	1818-6172	8MB EDO (Extended Data Output) DRAM SIMM memory module NO LONGER SUPPLIED
39	C4723-60264	16MB, 60nS EDO (Extended Data Output) DRAM SIMM memory module

Module (Product)

J4101B	External JetDirect LAN interface module with EtherTwist (10Base-T/Base-TX) connector
J4102B	External JetDirect LAN interface module with EtherTwist (10Base-T) connector

Electronics/Power Supply

Cable

42	C4704-60015	Carriage board trailing cable with ferrite - Three ribbon cables bundled together - 1.9m (6.3ft) long
43	C4704-60025	Ribbon cable assembly with ferrite - Has 28 pin (F) connectors - 1.3m (4.1ft) long

Carriage Kit

44	C4723-69096	Carriage assembly - Includes carriage assembly, line sensor, encoder, rear bushing, calibration pen, digitizing sight, guages - Trailing cable and cable clamp not included REQUIRES RETURN OF DEFECTIVE PART
	C4723-60096	<i>New Part for C4723-69096</i>



Electronics/Power Supply

Firmware

- 45 C4723-69294 Firmware SIMM kit (Revision A.04.08) - Mounts in the electronics module - NOTE: this is not a postscript SIMM
REQUIRES RETURN OF DEFECTIVE PART
- C4723-60294 *New Part for C4723-69294*

Front Panel

- 46 C4704-60255 Front (Control) panel and cable assembly - Includes function buttons and display

Module

- 47 C4723-69114 Electronics module - Includes power supply, fan, and main board
REQUIRES RETURN OF DEFECTIVE PART
- C4723-60114 *New Part for C4723-69114*

Motor

- 48 C4704-60040 Bail motor

PC Board

- 49 C4704-60009 Refill interconnect board

Power Cord

- 8120-0698 Power cord (Black) - 18 AWG, 2.3m (7.5ft) long - Has straight (F) receptacle (For 220V/240V in the USA and Canada)
- 8120-1378 Power cord (Jade Gray) - 18 AWG, 2.3m (7.5ft) long - Has straight (F) receptacle (For 120V in USA, Canada, Latin America, Korea, Taiwan, Thailand, Spain, Brazil, and Vietnam)

Sensor

- 52 C4704-60029 Right end cover and window closed sensors - Includes cable and connector
- 53 C4704-60052 Pincharm sensor
- 54 C4704-60058 Left end cover sensor - Includes cable and connector
- 55 C4704-60195 Media sensor assembly - Includes, edge measuring and secondary levers, media sensor and holder
- C4723-60096 Line sensor - Detects paper width and skew - Measures calibration accuracy and printhead alignment

Switch

- 57 C4704-60056 Power switch - Includes cable
- 58 C4704-60261 Stand-by switch assembly

External Case Parts

Bin

- 59 C4704-60073 Media bin arm (Loop assembly)
- C4713-60147 *New Part for C4704-60073*

Cover

- 60 C4704-00004 MIO (Modular input/output) cover
- 61 C4704-00021 Top cover
- 62 C4704-00033 SIMM slot cover
- 63 C4704-40057 Electronics module left cover
- 64 C4704-40058 Electronics module right cover
- 65 C4704-60274 Electronics module cover
- 66 C4723-60115 Right end cover - Has cut outs for the control panel
- 67 C4723-60116 Left end cover

Cross-Brace

- 68 C4704-60077 Cross-brace (E-size) - Main structure that extends between stand legs

Foot

- 69 C4704-60086 Foot assembly (includes casters)



External Case Parts

Hardware Kit

70 C4704-60095 Hardware kit for printer stand - Includes screwdriver, screws, washers, and media bin retaining clips

Holder

71 C4704-60218 Quick reference holder pocket - Holds quick reference guides and media knife

Leg

72 C4704-60075 Leg assembly - Side support for the plotter - Does NOT include the foot assembly

Nameplate/Logo

C4703-00004 Nameplate - HP DesignJet 2000CP

Overlay

C4704-60101 Front panel overlay - Shows the function of the front panel buttons and indicator lights (English)

C4704-60102 Front panel overlay - Shows the function of the front panel buttons and indicator lights (Korean)

C4704-60103 Front panel overlay - Shows the function of the front panel buttons and indicator lights (Taiwanese)

C4704-60104 Front panel overlay - Shows the function of the front panel buttons and indicator lights (German)

C4704-60105 Front panel overlay - Shows the function of the front panel buttons and indicator lights (French)

C4704-60106 Front panel overlay - Shows the function of the front panel buttons and indicator lights (Spanish)

C4704-60107 Front panel overlay - Shows the function of the front panel buttons and indicator lights (Italian)

C4704-60108 Front panel overlay - Shows the function of the front panel buttons and indicator lights (Japanese)

C4704-60109 Front panel overlay - Shows the function of the front panel buttons and indicator lights (Portuguese)

C4704-60110 Front panel overlay - Shows the function of the front panel buttons and indicator lights (Chinese)

Sensor

84 C4723-69071 Take-up reel sensor assembly
REQUIRES RETURN OF DEFECTIVE PART

C4723-60071 *New Part for C4723-69071*

Spindle

85 C6246-60010 36-inch take-up reel spindle assembly

Strip

86 C4704-40070 Capping strips (E-size) - Two strips that snap together on the ends of the bin arms

Support

87 C4714-60147 Media bin support (E-size) - Supports media bin arms

88 C4723-60072 Take-up reel left hand support assembly

89 C6246-60009 Take-up reel right hand support assembly

Take-Up Reel

90 C6246A Take-up reel kit for DesignJet 2000CP/2500CP - Includes take-up reel spindle assembly, left and right take-up reel supports, take-up reel sensor assembly, empty core tubes, and media weight tubes

Tray

91 C4704-60084 Plotter stand tray assembly - Mounted between the feet of plotter

Tube Kit

92 C6246-60011 Media weight and core kit for the take-up reel

Window

93 C4704-60087 Lift-up viewing window

Optional Interfaces

Interface (Product)

J2552B LAN & LocalTalk interface - Has EtherTwist (10Base-T) , ThinLAN (10Base-2) , and LocalTalk (DIN-8) connectors
NO LONGER SUPPLIED

J2555B Token ring LAN interface board - DB-9 and RJ-45 connectors
NO LONGER SUPPLIED



Optional Interfaces

Interface (Product)

J2590A	External JetDirect LAN interface module with RJ-45 connector for EtherTwist (10Base-T) or 100VG/802.12 input and 3 parallel (DB-25) output connectors NO LONGER SUPPLIED
J2591A	External JetDirect LAN interface module and power module - Has EtherTwist (10Base-T) and ThinLAN (10Base-2) connectors NO LONGER SUPPLIED
J3264A	External JetDirect 500X token ring interface module - Interfaces up to 3 parallel printers to a token ring (DB-9 or RJ-45) LAN
J3265A	External JetDirect 500X LAN interface module - Interfaces up to 3 parallel printers to an ethernet 10Base-T (RJ-45), 10Base2 (BNC), or 100Base-TX (RJ-45) LAN

Module

J2590-69001	External JetDirect LAN interface module with RJ-45 connector for ethertwist (10Base-T) or 100VG/802.12 input and 3 parallel (DB-25) output connectors REQUIRES RETURN OF DEFECTIVE PART
<i>J2590-61011</i>	<i>New Part for J2590-69001</i>
J2591-69001	External JetDirect LAN interface module with ethertwist (10Base-T) and ThinLAN (10BASE-2) connectors
J2593-69001	External JetDirect LAN interface module with Ethertwist (10Base-T) and ThinLAN (10BASE-2) input connectors and 3 parallel (DB-25) output connectors - (part of J2593A)
J2594-69001	External JetDirect token ring interface module with DB-9 and RJ-45 input connectors and 3 parallel (DB-25) output connectors - (part of J2594A) REQUIRES RETURN OF DEFECTIVE PART
<i>J2594-61011</i>	<i>New Part for J2594-69001</i>

PC Board (Interface)

J2552-69013	LAN and LocalTalk interface - EtherTwist (10Base-T), ThinLAN (10Base-2), and LocalTalk (DIN-8) connectors
J2555-69013	Token ring LAN interface board - DB-9 and RJ-45 connectors

Other Accessories

CD-ROM (Support)

C7769-90066	DesignJet support CD ROM - Version A.04.01 - Has product information, user's manuals, service manuals, diagnostic software, test drawings, newsletters, and service notes
-------------	---

Cleaning Supplies

C6247A	DesignJet cleaning kit - Includes cleaning solution and 20 cleaning rags
--------	--

Humidor

C6236A	DesignJet CP ink system storage container - Holds printheads and printhead cleaners when not in use
--------	---

Ink System Return Kt

5183-5283	Return kit (Box and instructions) - For returning defective large format printer ink systems covered under CREW program
-----------	---

Ink and Printhead

C1806A	Black ink system - Includes print head, print head cleaner and ink cartridge
C1807A	Cyan ink system - Includes print head, print head cleaner and ink cartridge
C1808A	Magenta ink system - Includes print head, print head cleaner and ink cartridge
C1809A	Yellow ink system - Includes print head, print head cleaner and ink cartridge
C1892A	Black UV ink system - Includes print head, print head cleaner and ink cartridge
C1893A	Cyan UV ink system - Includes print head, print head cleaner and ink cartridge
C1894A	Magenta UV ink system - Includes print head, print head cleaner and ink cartridge
C1895A	Yellow UV ink system - Includes print head, print head cleaner and ink cartridge



Other Accessories

Kit

- C4723-60141 Preventive maintenance kit - Contains line sensor cover, encoder strip, Y-AXIS pulley, belt, motor, cutter, silicon grease, plastic surface cleaner, synthetic oil and wipes
- C4723-60238 Adjustment kit - Includes instructions, empty cartridge, digitizing sight (magnifier) and gauge

Lubricant

- 6040-0855 Synthetic oil - 4oz (113g) plastic bottle

Manual

- 5959-9733 HP-GL/2 & HP RTL reference guide - Programming information, handbook for developers
- 5959-9734 Comparison guide for HP-GL/2 and RTL peripherals (English)

Manual Kit

- C4703-60041 DesignJet 2000CP/2800CP manual kit - Includes user's guide, setup guide, quick reference guide, and assembly instructions (English)
- C4703-60042 DesignJet 2000CP/2800CP manual kit - Includes user's guide, setup guide, and assembly instructions (Korean)
- C4703-60043 DesignJet 2000CP/2800CP manual kit - Includes user's guide, setup guide, and assembly instructions (Traditional Chinese)
- C4703-60049 DesignJet 2000CP/2800CP manual kit - Includes user's guide, setup guide, and assembly instructions (Portuguese)
- C4703-60050 DesignJet 2000CP/2800CP manual kit - Includes user's guide, setup guide, and assembly instructions (Simplified Chinese)
- C4704-60304 DesignJet 2000CP/2500CP/2800CP manual kit - Includes user's guide, setup guide, and assembly instructions (German)
- C4704-60305 DesignJet 2000CP/2500CP/2800CP manual kit - Includes user's guide, setup guide, and assembly instructions (French)
- C4704-60306 DesignJet 2000CP/2500CP/2800CP manual kit - Includes user's guide, setup guide, and assembly instructions (Spanish)
- C4704-60307 DesignJet 2000CP/2500CP/2800CP manual kit - Includes user's guide, setup guide, and assembly instructions (Italian)
- C4704-60338 DesignJet 2000CP/2500CP/2800CP manual kit - Includes user's guide, setup guide, and assembly instructions (Japanese)

Software

- C6072-60281 Toolbox and driver software - HP-GL/2 and RTL drivers for Windows 3.1/95/98/NT 4.0 (all DesignJets), and toolbox software for Windows 95/NT 4.0 (Only for DesignJet 430/450C/455CA/1050C/1055CM) - On 3.5-inch 1.44MB floppy disks (English)
- C6072-60284 Toolbox and driver software - HP-GL/2 and RTL drivers for Windows 3.1/95/98/NT 4.0 (all DesignJets), and toolbox software for Windows 95/NT 4.0 (Only for DesignJet 430/450C/455CA/1050C/1055CM) - On 3.5-inch 1.44MB floppy disks (German)
- C6072-60285 Toolbox and driver software - HP-GL/2 and RTL drivers for Windows 3.1/95/98/NT 4.0 (all DesignJets), and toolbox software for Windows 95/NT 4.0 (Only for DesignJet 430/450C/455CA/1050C/1055CM) - On 3.5-inch 1.44MB floppy disks (French)
- C6072-60286 Toolbox and driver software - HP-GL/2 and RTL drivers for Windows 3.1/95/98/NT 4.0 (all DesignJets), and toolbox software for Windows 95/NT 4.0 (Only for DesignJet 430/450C/455CA/1050C/1055CM) - On 3.5-inch 1.44MB floppy disks (Spanish)
- C6072-60287 Toolbox and driver software - HP-GL/2 and RTL drivers for Windows 3.1/95/98/NT 4.0 (all DesignJets), and toolbox software for Windows 95/NT 4.0 (Only for DesignJet 430/450C/455CA/1050C/1055CM) - On 3.5-inch 1.44MB floppy disks (Italian)
- C6072-60301 HP-GL/2 driver software for AutoCAD - For DOS and Windows 3.1/95/NT 4.0 - On 3.5-inch 1.44MB floppy disks (English)
- C6072-60304 HP-GL/2 driver software for AutoCAD - For DOS and Windows 3.1/95/NT 4.0 - On 3.5-inch 1.44MB floppy disks (German)
- C6072-60305 HP-GL/2 driver software for AutoCAD - For DOS and Windows 3.1/95/NT 4.0 - On 3.5-inch 1.44MB floppy disks (French)
- C6072-60306 HP-GL/2 driver software for AutoCAD - For DOS and Windows 3.1/95/NT 4.0 - On 3.5-inch 1.44MB floppy disks (Spanish)
- C6072-60307 HP-GL/2 driver software for AutoCAD - For DOS and Windows 3.1/95/NT 4.0 - On 3.5-inch 1.44MB floppy disks (Italian)

Other Accessories**Software**

C6071-60368	ZEHRaster software for UNIX - Allows TIFF and JPEG printing on DesignJet 700 series, 1000 series, and CP series (Japanese)
C7779-60040	ZEHRaster software for UNIX - Allows TIFF and JPEG printing on DesignJet 700 series, 1000 series, and CP series (Chinese)
C7779-60041	ZEHRaster software for UNIX - Allows TIFF and JPEG printing on DesignJet 700 series, 1000 series, and CP series (English)
C7779-60042	ZEHRaster software for UNIX - Allows TIFF and JPEG printing on DesignJet 700 series, 1000 series, and CP series (Korean)
C7779-60043	ZEHRaster software for UNIX - Allows TIFF and JPEG printing on DesignJet 700 series, 1000 series, and CP series (Taiwanese)
C7779-60044	ZEHRaster software for UNIX - Allows TIFF and JPEG printing on DesignJet 700 series, 1000 series, and CP series (German)
C7779-60045	ZEHRaster software for UNIX - Allows TIFF and JPEG printing on DesignJet 700 series, 1000 series, and CP series (French)
C7779-60046	ZEHRaster software for UNIX - Allows TIFF and JPEG printing on DesignJet 700 series, 1000 series, and CP series (Spanish)
C7779-60047	ZEHRaster software for UNIX - Allows TIFF and JPEG printing on DesignJet 700 series, 1000 series, and CP series (Italian)

Take-Up Reel

152 C6246A	Take-up reel kit for DesignJet 2000CP/2500CP - Includes take-up reel spindle assembly, left and right take-up reel supports, take-up reel sensor assembly, empty core tubes, and media weight tubes
------------	---

Other Internal Parts**Bushing**

153 C3195-40076	Cutter bushing - Connects cutter assembly to slider rod
-----------------	---

Cable

154 C4704-60024	Ribbon cable assembly - Has 28 pin (F) connectors - 23.5cm (9.3 inches) long
-----------------	--

Clamp

155 C4723-40086	Trailing cable holder
-----------------	-----------------------

Cutter

156 C4704-60299	Cutter assembly - Auto cutter for rollfeed paper - Only for serial prefix ESA and ESB
157 C4723-60244	Cutter assembly - Auto cutter for rollfeed paper

Elevator

158 C4704-60033	Elevator platform assembly - Raises and lowers ink cartridges to fill the print heads - Located on left side of plotter
-----------------	---

Enclosure

159 C4704-60067	Cutter enclosure - Mounted above entry platen
-----------------	---

Flag

160 C4704-40007	Service station flag - Spring loaded flag on right side of service station
-----------------	--

Refill Assembly

161 C4723-60249	Refill assembly - Mounted inside the left hand cover - Includes motor and gears
-----------------	---

Service Station

162 C4723-60276	Service station assembly
-----------------	--------------------------

Spring

163 C4704-80009	Service station spring
-----------------	------------------------

Trim

164 C4704-60113	Right trim assembly - At right of entry platen
165 C4723-60111	Left trim assembly - At left of entry platen



Paper Drive Parts

Bail

260 C4704-60329 Bail assembly - Mounting strip assembly for the starwheel mount assemblies (Not included) - Extends width of plotter

Bearing

261 1410-0708 Sleeve bearing - Used on left end of overdrive assembly

Bushing

262 C1633-40082 Pincharm spring retaining bushing

Cam

263 C3180-40020 Pinch arm cam - Attached to pinch arm (Media) lever

264 C3190-60149 Left cam journal - Mounted on left end of pincharm shaft

Gear

265 C1633-40019 Overdrive gear cluster

Gear Assembly

266 C4705-60089 Clutch / overdrive gear assembly

Guard

267 C4704-60295 Starguard starwheel cover assembly

Lever

268 C4704-40059 Pinch arm (media) lever - Used when loading paper

Link

269 C4704-00025 Front wire link

Motor

270 C4704-60040 Bail motor

271 C4723-60303 X-AXIS motor assembly - Includes motor, belt, and worm gear - No longer supplied - Order X-AXIS motor assembly kit
NO LONGER SUPPLIED

C4724-60053 New Part for C4723-60303

272 C4724-60053 X-Axis motor assembly kit - New design does not use a belt - Kit includes motor with attached worm gear, helical gear, motor mount, screws and nuts for mounting the parts, grease for the helical gear, installation instructions

Mount

273 C1633-40089 Overdrive mount block

Overdrive Assy

274 C4704-60213 Overdrive assembly - Includes overdrive shims, clutch and overdrive gear

275 C4704-60281 Overdrive assembly (B) - Includes overdrive shims, clutch and overdrive gear

Pincharm

276 C4723-60247 Pincharm Assembly - Curved black plastic plate with 4 small rubber rollers (Does NOT include spring or bushing)

Platen

277 C4704-60294 Entry Platen Assembly - Cover/guide that is next to the paper drive (Platen) roller

Roller

278 C4700-60042 Paper drive (Platen) roller assembly - Long gear driven roller - Includes roller and mark encoder

Sensor

279 C4704-60052 Pincharm sensor

280 C4704-60195 Media sensor assembly - Includes, edge measuring and secondary levers, media sensor and holder

Shaft

281 C2848-60032 Pincharm shaft assembly - Includes cam journals mounted on each end

Spring

282 C1633-80005 Compression spring between pincharm assembly and bushing

Paper Drive Parts**Starwheel Mount**

- 283 C4704-60143 Big starwheel mount assembly - Includes cover, body, spring and two starwheels
- 284 C4713-60035 Starwheel mount assembly - Includes cover, body, spring and two starwheels

Support

- 285 C4704-40026 Roller support bracket on left side plate

Paper and Other Media**Canvas**

- C6771A Studio canvas (368 gsm) - 91.4cm (36in) x 10.7m (35ft) roll - For regular ink or UV resistant ink
- C7966A Canvas with Matte finish - 61cm (24in) x 10.7m (35ft) (USA)
- C7967A Canvas with Matte finish - 91.4cm (36in) x 10.7m (35ft) (USA)
- Q1696A Canvas Matte - 137.2cm (54in) x 10.7m (35ft) (USA)
- Q1724A Canvas Paper (180 gsm) - 91.4cm (36in) x 10.7m (35ft) (USA)

Film (Adhesive)

- C6761A 3M 8519CP lustre (Semi-gloss) overlamine - 91.4cm (36in) x 22.9m (75ft) roll - Vinyl with pressure sensitive adhesive backing - Used to protect 3M 8522CP opaque imaging media
- C6762A 3M 8520CP matte overlamine - 91.4cm (36in) x 22.9m (75ft) roll - Vinyl with pressure sensitive adhesive backing - Used to protect 3M 8522CP opaque imaging media

Film (Cling)

- Q1914A Two View Cling film - 91.4cm (36in) x 22.9m (75ft)
- Q1915A Two View Cling film - 106.7cm (42in) x 22.9m (75ft)

Film (Glossy)

- C6794A Durable Imaging Glossy UV media - For UV ink only - 91.4cm (36in) x 30.5m (100ft) roll

Film (Matte)

- C7909A Double Matte Eraseable Film - 61cm (24in) x 38.1m (125ft) (USA)
- C7910A Double Matte Eraseable Film - 76.2cm (30in) x 38.1m (125ft) (USA)
- C7911A Double Matte Eraseable Film - 91.4cm (36in) x 38.1m (125ft) (USA)
- Q1736A Polyester Film White Matte - 91.4cm (36in) x 15.2m (50ft) (USA)

Paper

- C7922A Basic Bond paper - 106.7cm (42in) x 45.7m (150ft)
- C7923A Basic Heavyweight Paper - 61cm (24in) x 30.5m (100ft) (USA and Asia/Pacific)
- C7924A Basic Heavyweight Paper - 91.4cm (36in) x 30.5m (100ft) (USA and Asia/Pacific)
- C7929A Super Heavyweight Paper - 61cm (24in) x 22.9m (75ft) (USA and Asia/Pacific)
- C7930A Super Heavyweight Paper - 91.4cm (36in) x 22.9m (75ft) (USA and Asia/Pacific)
- Q1396A Universal Bond Paper - 61cm (24in) x 30.5m (100ft)
- Q1397A Universal Bond Paper - 91.4cm (36in) x 30.5m (100ft)
- Q1398A Universal Bond Paper - 106.7cm (42in) x 30.5m (100ft)
- Q1432A Yupo Synthetic Paper - 91.4cm (36in) x 30.5m (100ft)
- Q1703A Fine Art Aquarella paper - 91.4cm (36in) x 10.7m (35ft) roll (USA)
- Q1706A Fine Art Vanilla paper - 91.4cm (36in) x 10.7m (35ft) (USA)
- Q1709A Fine Art Cream paper - 91.4cm (36in) x 10.7m (35ft) roll (USA)
- Q1712A Fine Art Ice Blue paper - 91.4cm (36in) x 10.7m (35ft) (USA)
- Q1715A Fine Art Sahara paper - 91.4cm (36in) x 10.7m (35ft) roll (USA)
- Q1730A Outdoor Paper - 91.4cm (36in) x 30.5m (100ft) (USA)
- Q1733A Indoor Self Adhesive Paper - 91.4cm (36in) x 22.9m (75ft) (USA)
- Q1739A Heat Transfer Paper - 91.4cm (36in) x 30.5m (100ft) (USA)

Paper and Other Media**Paper**

Q1745A	Paper Backed Fabric Polyester - 91.4cm (36in) x 10.1m (33ft) (USA)
Q1748A	Paper Backed Fabric Silk Satin - 91.4cm (36in) x 10.1m (33ft) (USA)
Q1757A	Fluorescent Yellow Colored Paper - 91.4cm (36in) x 45.7m (150ft) (USA)
Q1760A	Yellow Colored Paper - 91.4cm (36in) x 45.7m (150ft) (USA)
Q1903A	Polypropylene with Matte finish - 91.4cm (36in) x 22.9m (75ft)
Q1904A	Polypropylene with Matte finish - 106.7cm (42in) x 22.9m (75ft)
Q1906A	Polypropylene with Matte finish - 137.2cm (54in) x 22.9m (75ft)
Q1907A	Polypropylene with Matte finish - 152.4cm (60in) x 22.9m (75ft)
Q1908A	Polypropylene Adhesive Back print media - 91.4cm (36in) x 21.3m (70ft)
Q1909A	Polypropylene Adhesive Back print media - 106.7cm (42in) x 21.3m (70ft)

Paper (Backlit)

C7875A	Large format Colorlucent backlit UV media - 91.4cm (36in) x 3.0m (10ft)
C7960A	Backlit Reverse Print paper - 91.4cm (36in) x 22.9m (75ft) (USA)
C6778A	Colorlucent backlit UV paper - 91.4cm (36in) x 30.5m (100ft) roll - For UV (pigmented) inks ONLY

Paper (Banner)

Q1898A	Scrim Banner - 91.4cm (36in) x 15.2m (50ft)
C6786A	Banner paper with Tyvek (140 gsm) - UV ink only - 61cm (24in) x 15.2m (50ft) roll NO LONGER SUPPLIED
C6787A	Banner paper with Tyvek (140 gsm) - UV ink only - 91.4cm (36in) x 15.2m (50ft) roll

Paper (Bright White)

C1860A	Bright white InkJet paper - 61cm (24in) x 45.7m (150ft) roll
C1861A	Bright white InkJet paper - 91.4cm (36in) x 45.7m (150ft) roll
C6810A	Bright white InkJet paper - 91.4cm (36in) x 91.4m (300ft) roll

Paper (Coated)

C6019A	Coated Paper (98 gsm) - 61cm (24in) x 45.7m (150ft)
C8281A	Basic Coated Paper - 61cm (24in) x 45.7m (150ft) (USA and Asia/Pacific)
C8282A	Basic Coated Paper - 91.4cm (36in) x 45.7m (150ft) roll (USA and Asia/Pacific)
Q1412A	Universal Heavyweight Coated paper - 61cm (24in) x 30.5m (100ft)
Q1413A	Universal Heavyweight Coated Paper - 91.4cm (36in) x 30.5m (100ft)
Q1416A	Heavyweight Coated Paper - 152.4cm (60in) x 30.5m (100ft)
C6019B	Coated paper (98 gsm) - 61cm (24in) x 45.7m (150ft) roll (USA, Canada, and Latin America)
C6021B	Heavyweight coated paper - 61cm (24in) x 30.5m (100ft) roll (USA, Canada, and Latin America) NO LONGER SUPPLIED
C6029C	Heavyweight coated paper - 61cm (24in) x 30.5m (100ft) roll - For regular or UV resistant ink
C6020B	Coated paper (98 gsm) - 91.4cm (36in) x 45.7m (150ft) roll (USA, Canada, and Latin America)
C6022B	Heavyweight coated paper - 91.4cm (36in) x 30.5m (100ft) roll (USA, Canada, and Latin America) NO LONGER SUPPLIED
C6030C	Heavyweight coated paper - 91.4cm (36in) x 30.5m (100ft) roll - For regular or UV resistant ink

Paper (Fabric)

Q1435A	Flame Retardant Cloth print media - 91.4cm (36in) x 20.0m (65.6ft)
Q1742A	Matte Cotton Fabric print media (190 gsm) - 91.4cm (36in) x 10.1m (33ft) (USA)
Q1918A	Viscose Paper-Back Fabric print media - 91.4cm (36in) x 10.1m (33ft)
Q1919A	Viscose Paper-Back Fabric print media - 106.7cm (42in) x 10.1m (33ft)
Q1920A	Viscose Paper-Back Fabric print media - 137.2cm (54in) x 10.1m (33ft)



Paper and Other Media

Paper (Glossy)

C6033A	High gloss photo paper - 61cm (24in) x 30.5m (100ft) roll (Europe, Asia/Pacific, and Japan)
C6034A	High gloss photo paper - 91.4cm (36in) x 30.5m (100ft) roll (Europe, Asia/Pacific, and Japan)
C8315A	High Gloss Photo Paper - 61cm (24in) x 30.5m (100ft) (USA and Asia/Pacific)
C8316A	High Gloss Photo Paper - 91.4cm (36in) x 30.5m (100ft) (USA and Asia/Pacific)
Q1426A	Universal High-Gloss Photo Paper - 61cm (24in) x 30.5m (100ft)
Q1427A	Universal High-Gloss Photo Paper - 91.4cm (36in) x 30.5m (100ft)
Q1428A	Universal High-Gloss Photo Paper - 106.7cm (42in) x 30.5m (100ft)
Q1429A	Universal High-Gloss Photo Paper - 137.2cm (54in) x 30.5m (100ft)
Q1430A	Universal High-Gloss Photo Paper - 152.4cm (60in) x 30.5m (100ft)
C6025A	High gloss photo paper - 61cm (24in) x 30.5m (100ft) roll (USA, Canada, and Latin America)
C6026A	High gloss photo paper - 91.4cm (36in) x 30.5m (100ft) roll (USA, Canada, and Latin America)

Paper (Photo)

C7946A	Photo Paper RC Matte - 91.4cm (36in) x 30.5m (100ft) (USA)
C8310A	Basic Photo Satin paper - 61cm (24in) x 30.5m (100ft) (USA and Asia/Pacific)
C8311A	Basic Photo Satin paper - 91.4cm (36in) x 30.5m (100ft) (USA and Asia/Pacific)
Q1420A	Semi-Gloss Photo Paper - 61cm (24in) x 30.5m (100ft)
Q1421A	Semi-Gloss Photo Paper - 91.4cm (36in) x 30.5m (100ft)
Q1422A	Semi-Gloss Photo Paper - 106.7cm (42in) x 30.5m (100ft)
Q1424A	Semi-Gloss Photo Paper - 152.4cm (60in) x 30.5m (100ft)

Paper (Poster)

C7949A	Outdoor Billboard Paper - Blue back - 91.4cm (36in) x 30.5m (100ft) (USA)
--------	---

Paper (Satin)

C7952A	Proofing Paper RC Satin - 91.4cm (36in) x 30.5m (100ft) (USA)
--------	---

Paper (Semi-Glossy)

C6031A	Semi-gloss photo paper - 61cm (24in) x 30.5m (100ft) roll (Europe, Asia/Pacific, and Japan)
C6032A	Semi-gloss photo paper - 91.4cm (36in) x 30.5m (100ft) roll (Europe, Asia/Pacific, and Japan)
Q1423A	Semi-Gloss Photo Paper - 137.2cm (54in) x 30.5m (100ft)
C6023A	Semi-gloss photo paper - 61cm (24in) x 30.5m (100ft) roll (USA, Canada, and Latin America)
C6782A	Paper based semi-gloss media - 61cm (24in) x 30.5m (100ft) roll NO LONGER SUPPLIED
C6024A	Semi-gloss photo paper - 91.4cm (36in) x 30.5m (100ft) roll (USA, Canada, and Latin America)
C6783A	Paper based semi-gloss media - 91.4cm (36in) x 30.5m (100ft) roll NO LONGER SUPPLIED

Roll Feed Parts

Brake/Housing

286	C4704-60199	Brake/housing assembly (on right side) - Accepts the flange end of the spindle rod assembly - Includes the 2 housing pieces, 2 brake shoes, brake gear, brake lever, and springs
------------	-------------	--

Cover

287	C4704-60312	Rollfeed access cover - Opens forward to allow access to paper spindle assembly
------------	-------------	---

End Cap

288	C2858-40043	Spindle end cap (small) (or core spacer) - Removes for loading the media roll
------------	-------------	---

Housing

289	C4704-60082	Housing assembly (on left side)
------------	-------------	---------------------------------



Roll Feed Parts

Spacer

C4723-60147 Spacer/media guide for the supply spindle

Spindle

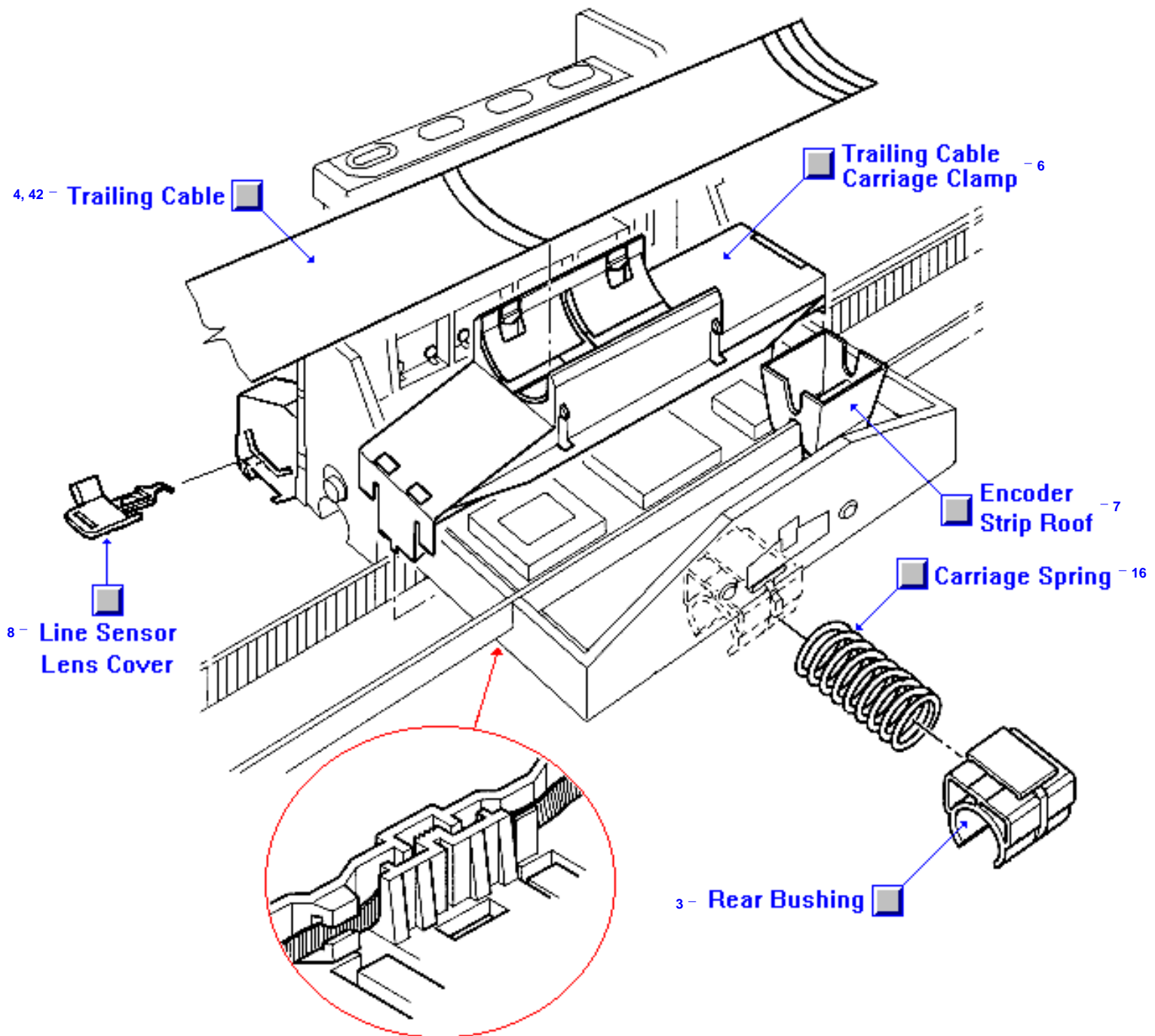
291 C4704-60317 Rollfeed spindle rod assembly - Includes flange and core spindle spacer

Spring

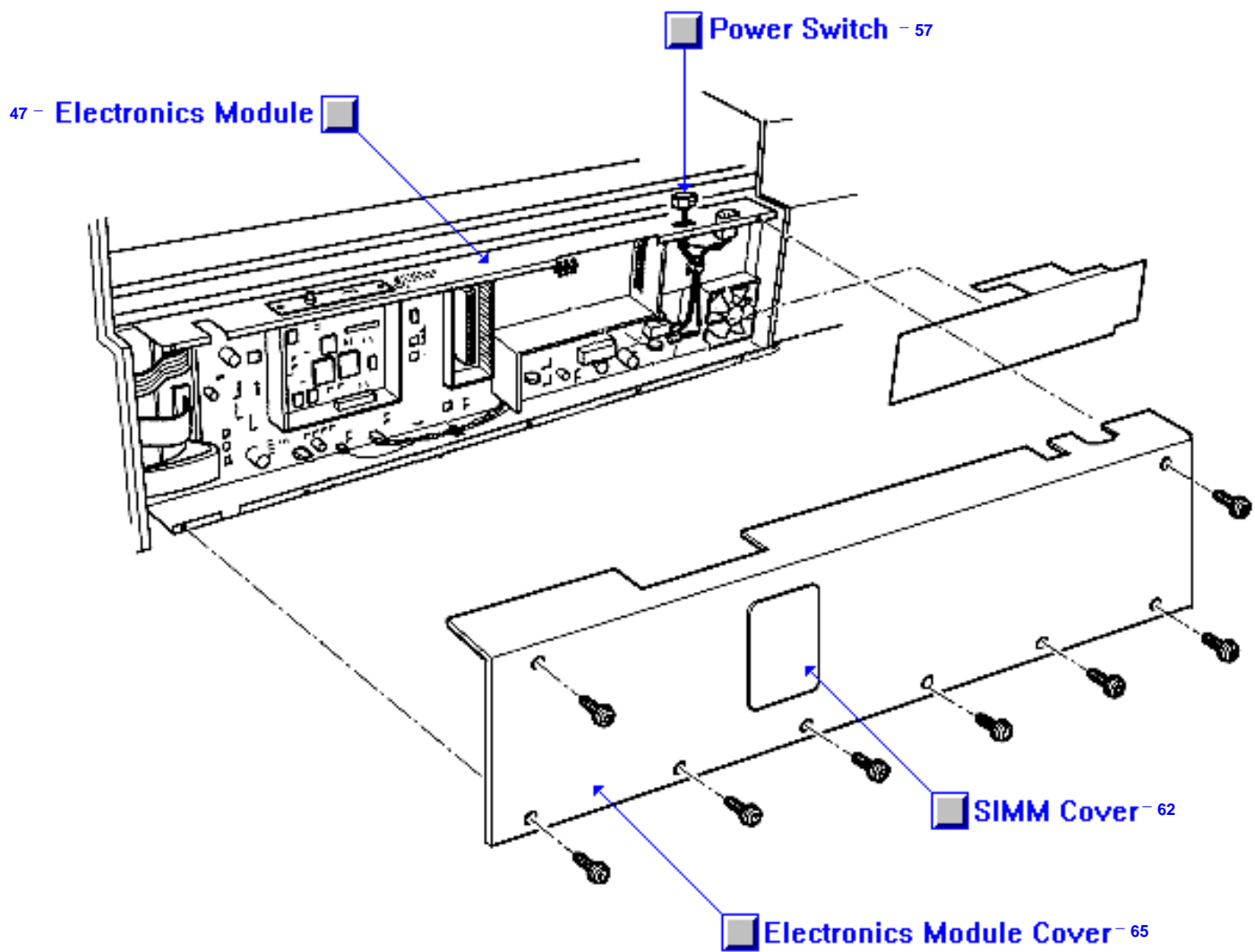
292 C1633-80004 Extension spring - Holds the rollfeed access cover closed

Carriage Assembly

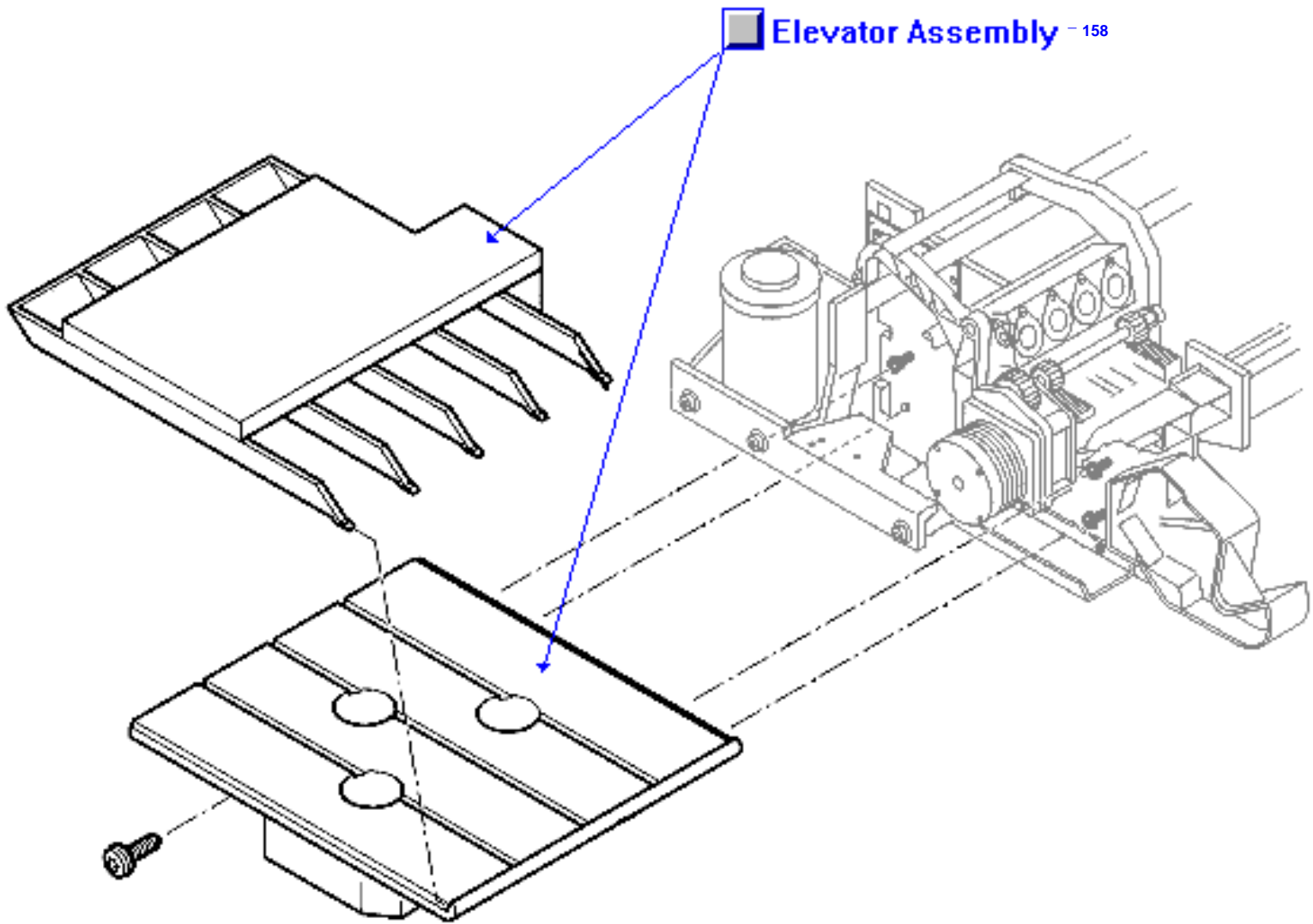
Carriage Assembly - 5, 44



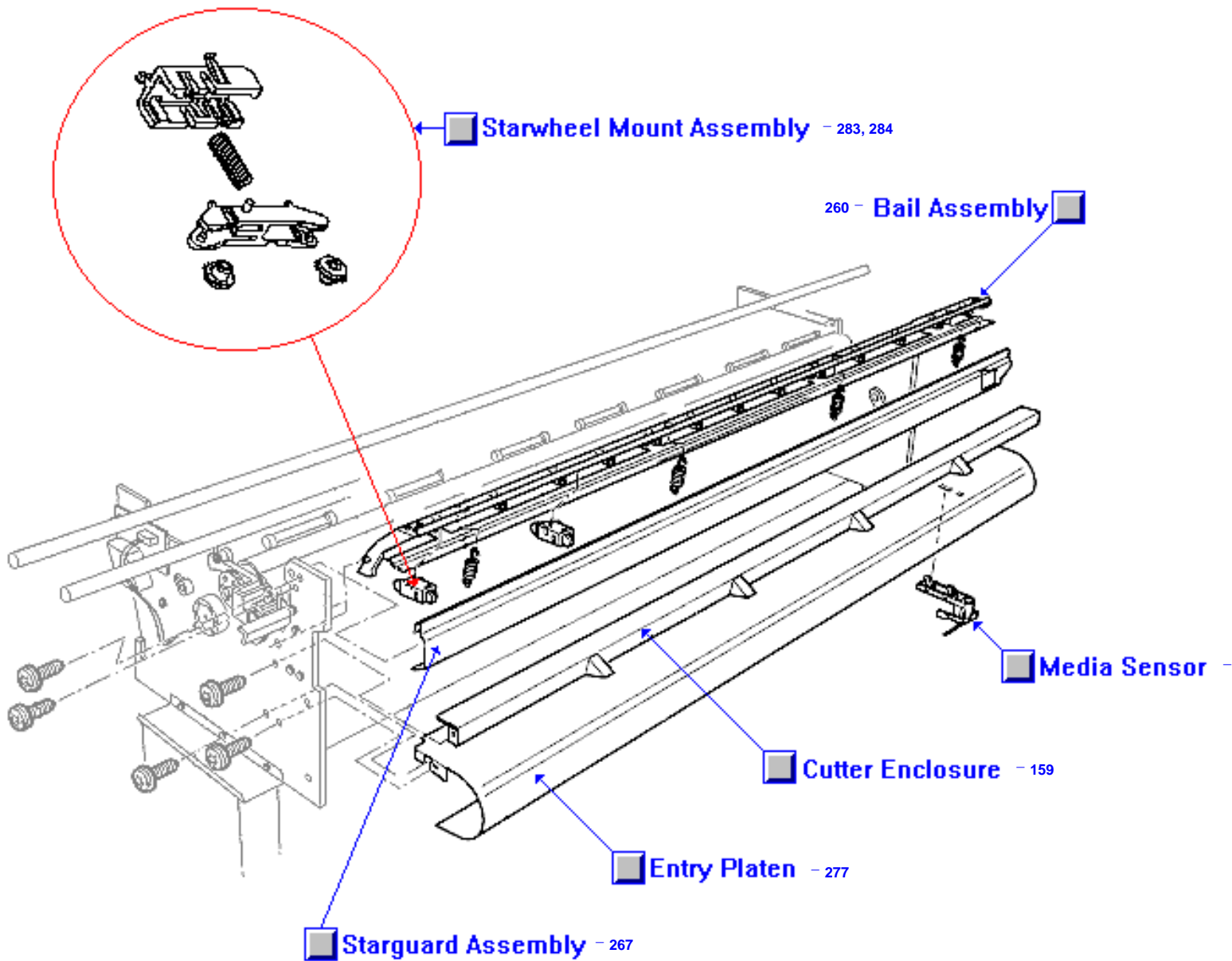
Electronics Module



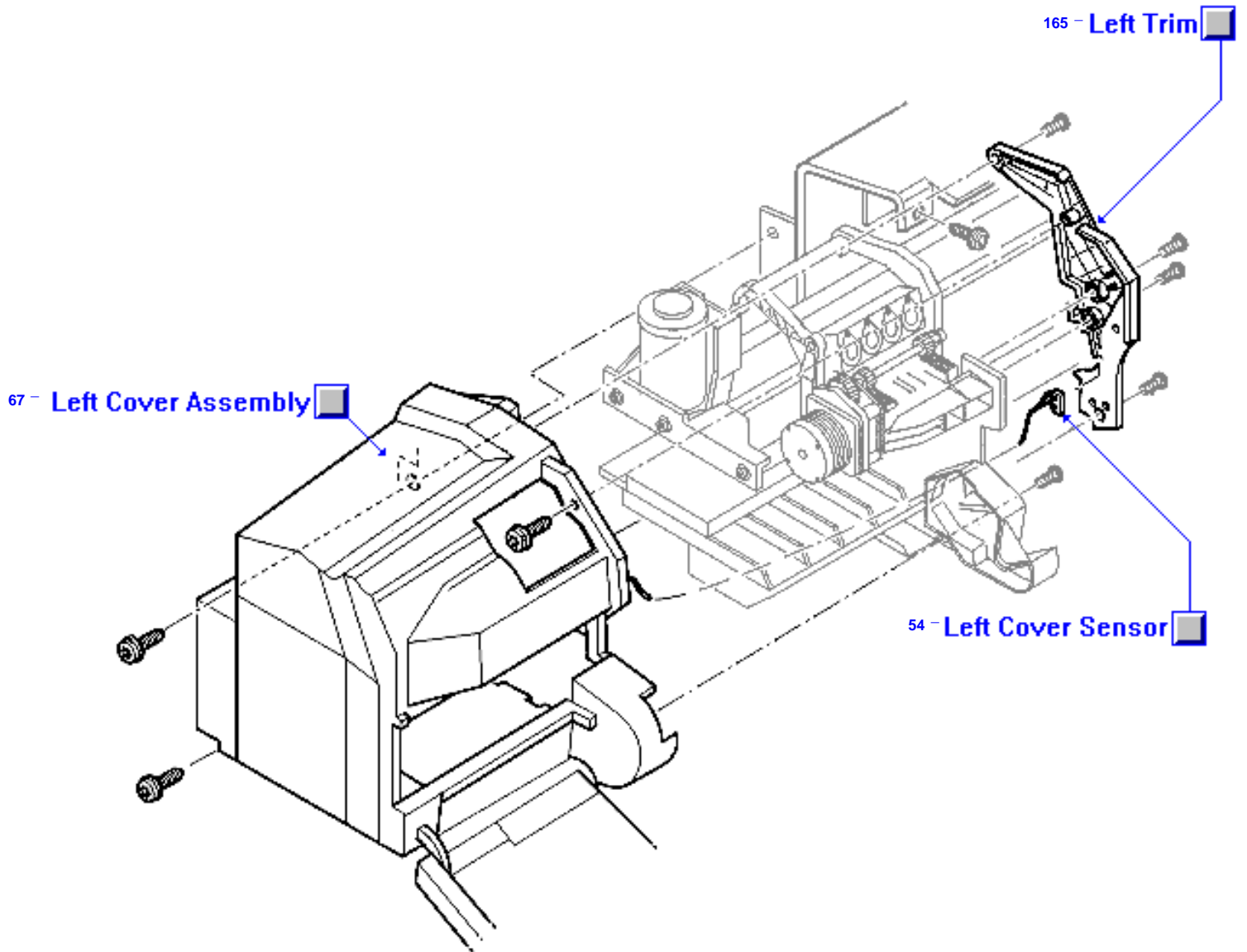
Elevator Assembly



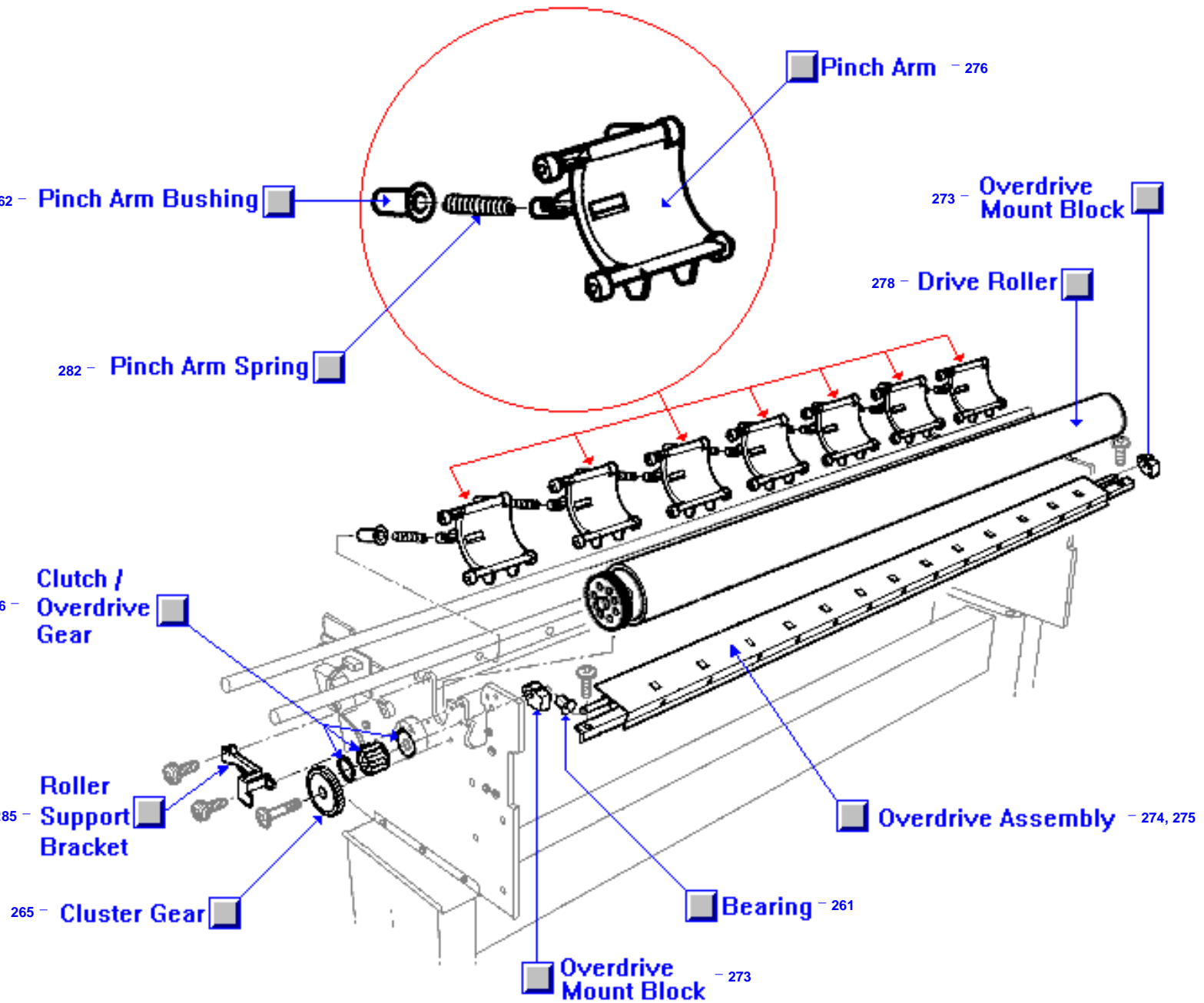
Entry Platen Area



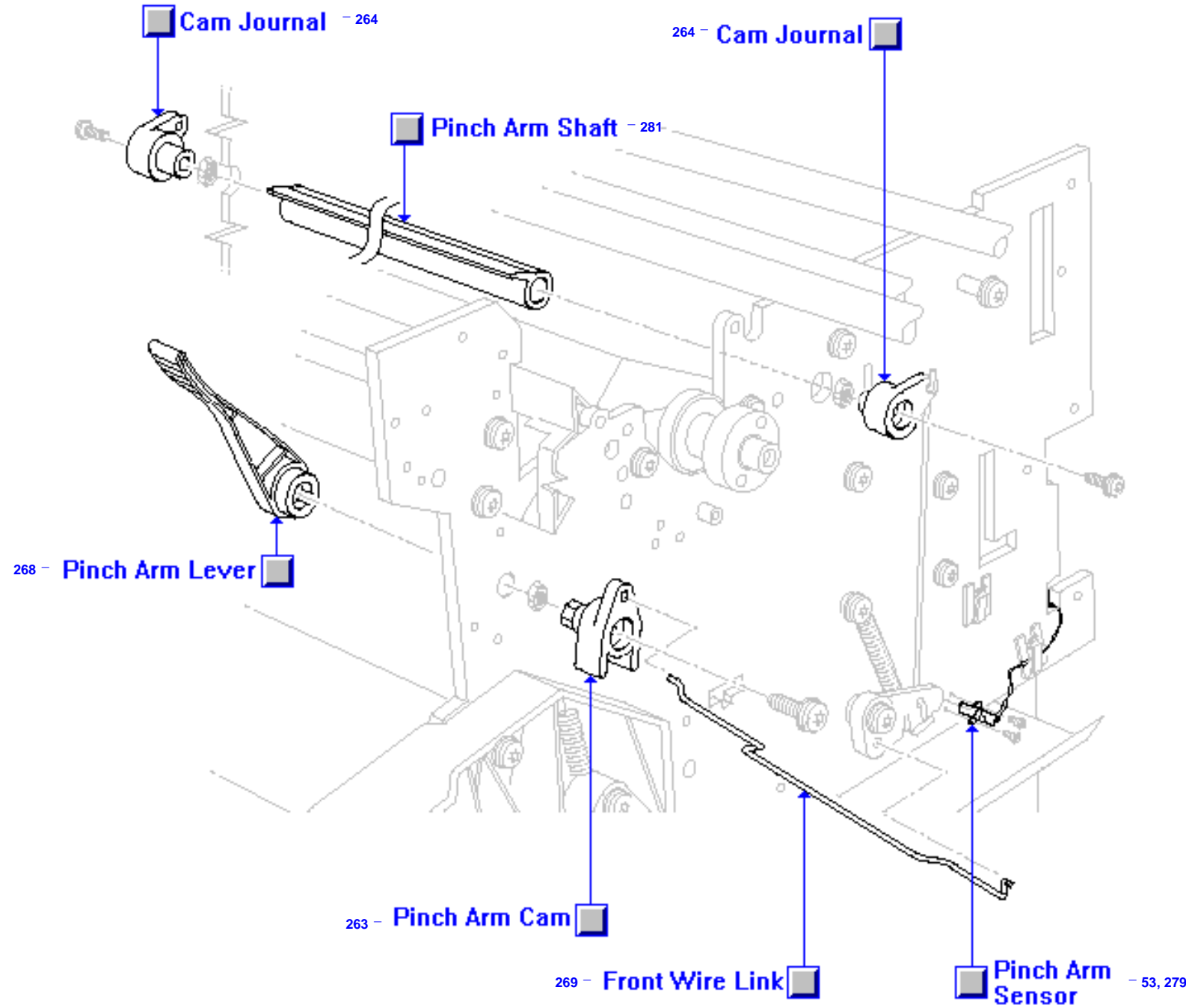
Left Hand Cover Area



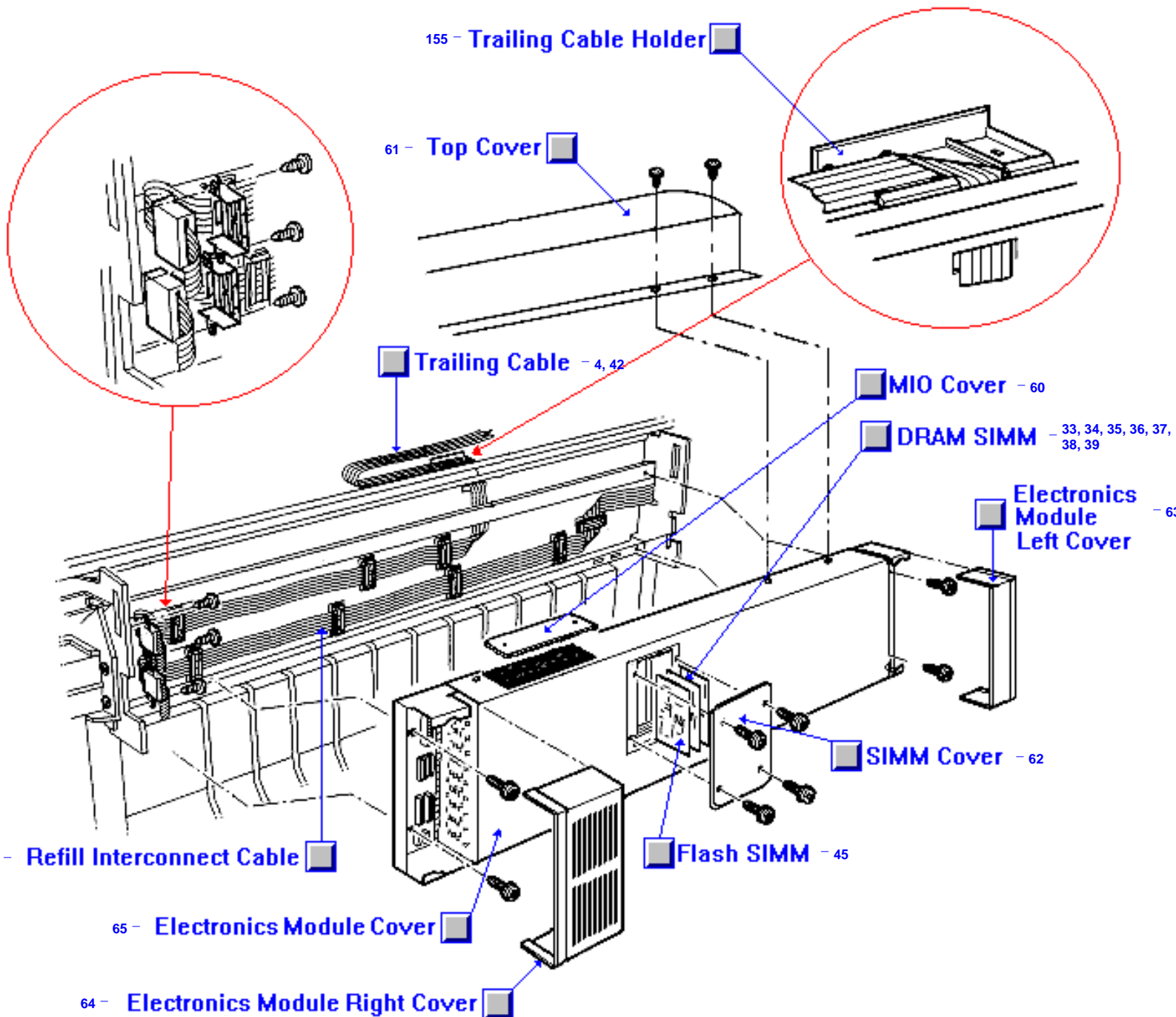
Paper Drive Roller Area



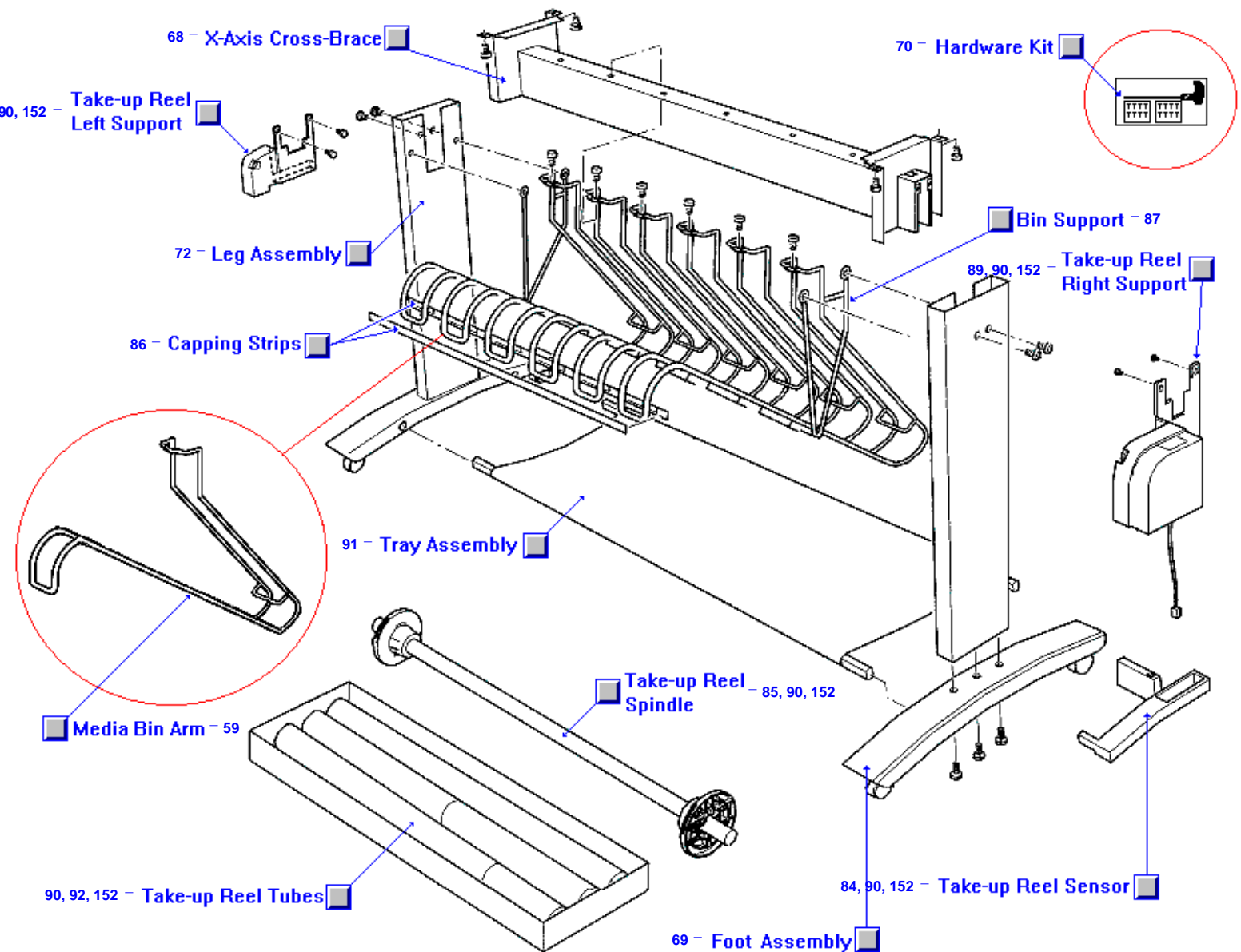
Pinch Arm Assembly



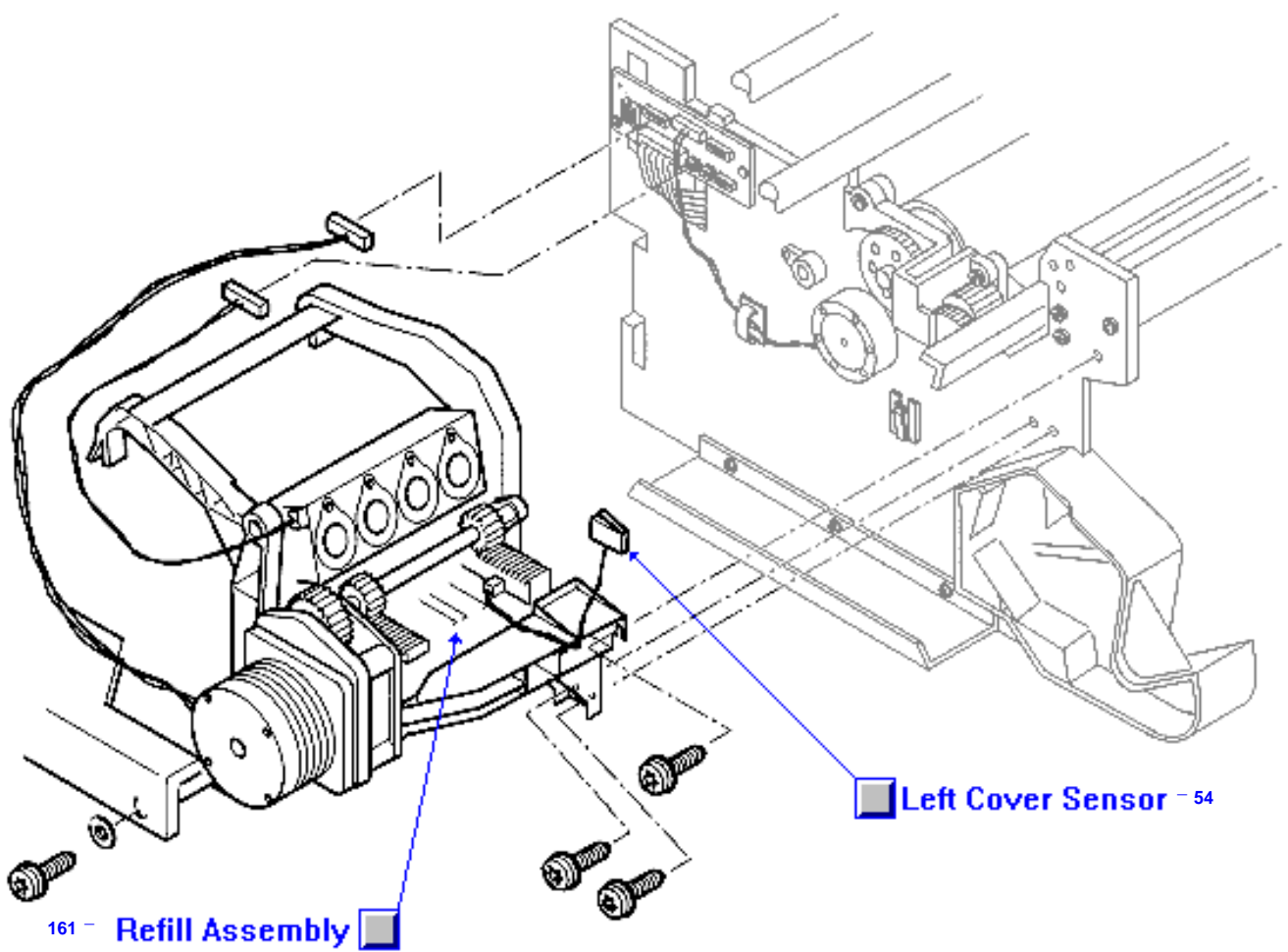
Printer Rear



Printer Support

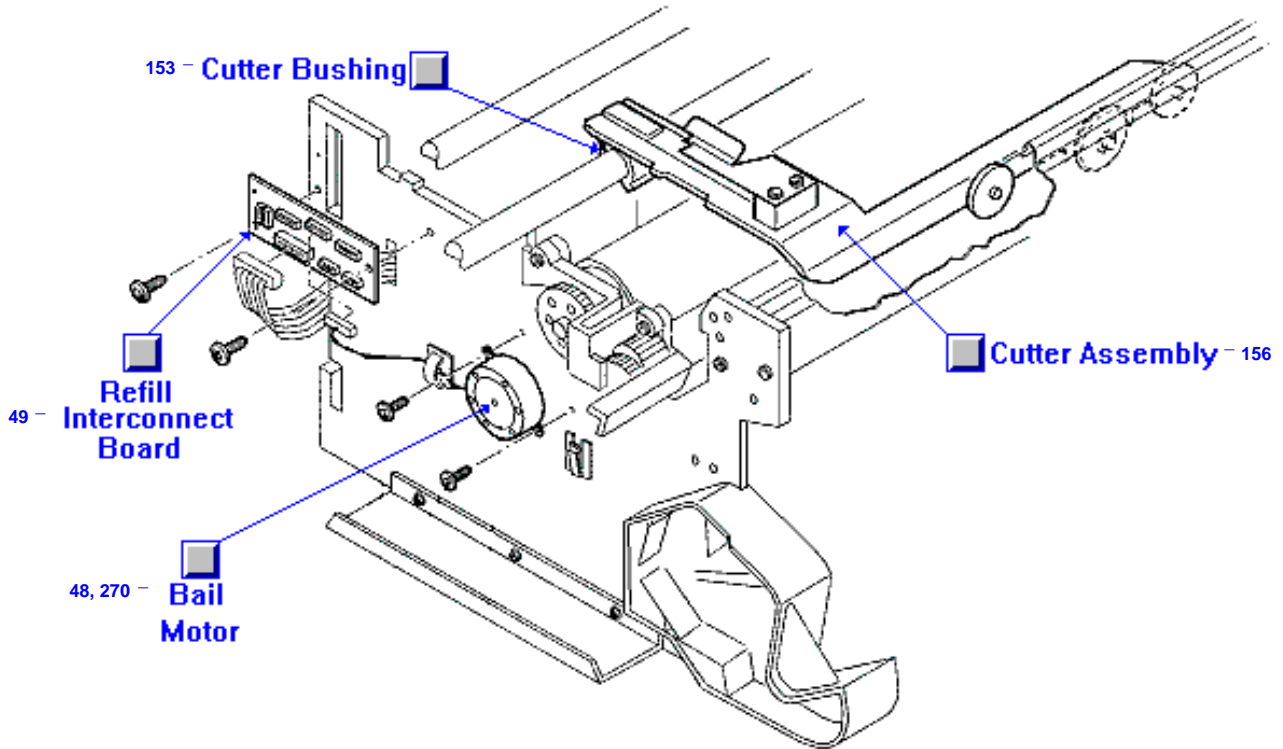


Refill Assembly

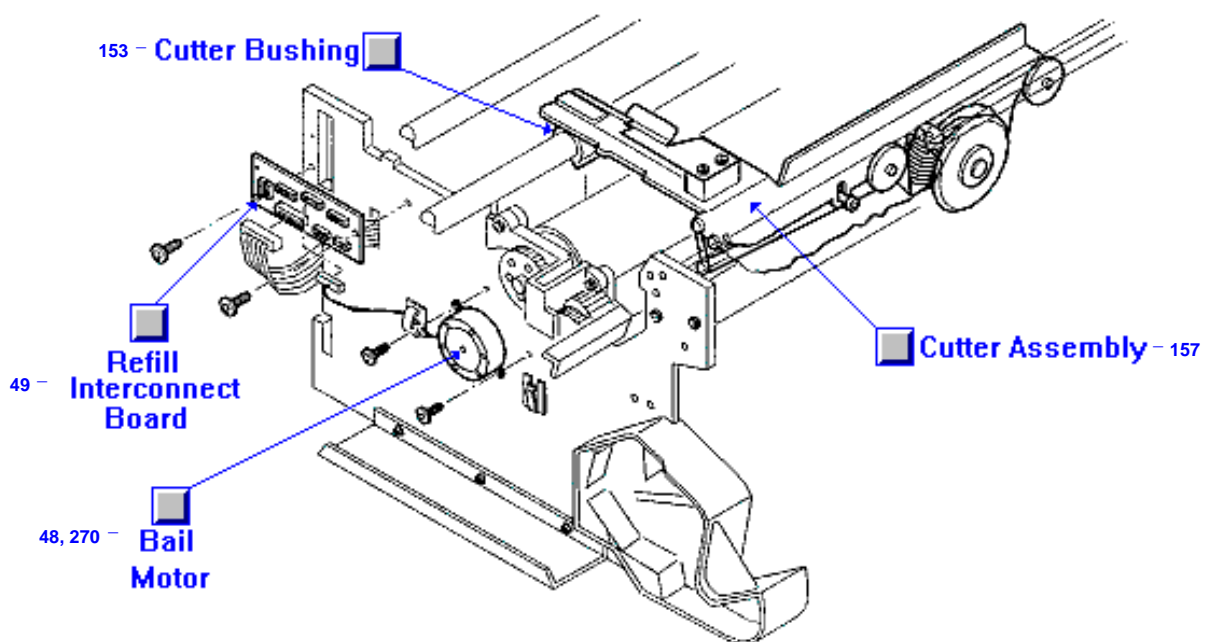


Refill Interconnect Board, Bail Motor and Cutter Assembly

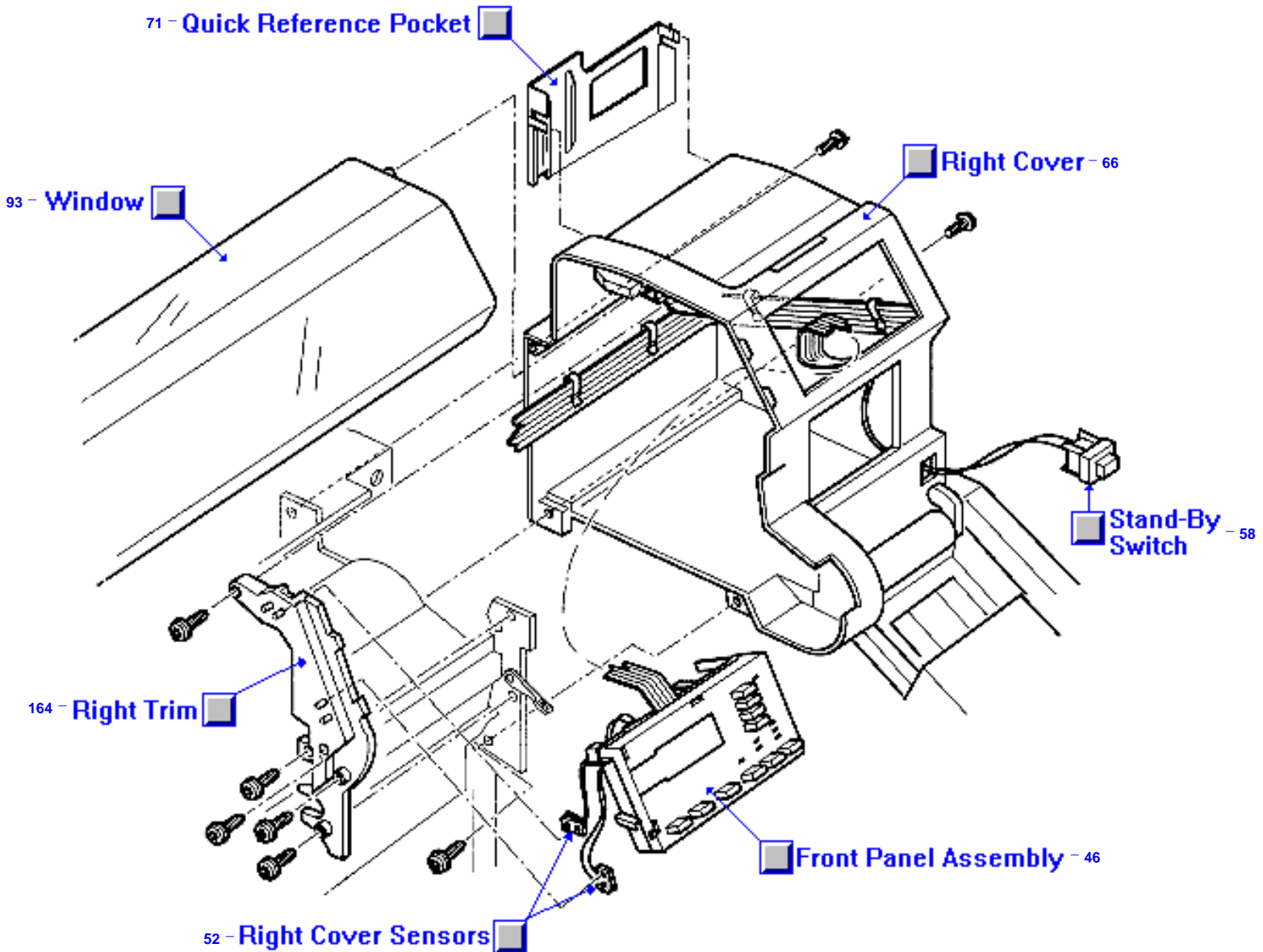
Serial Prefix ESA and ESB



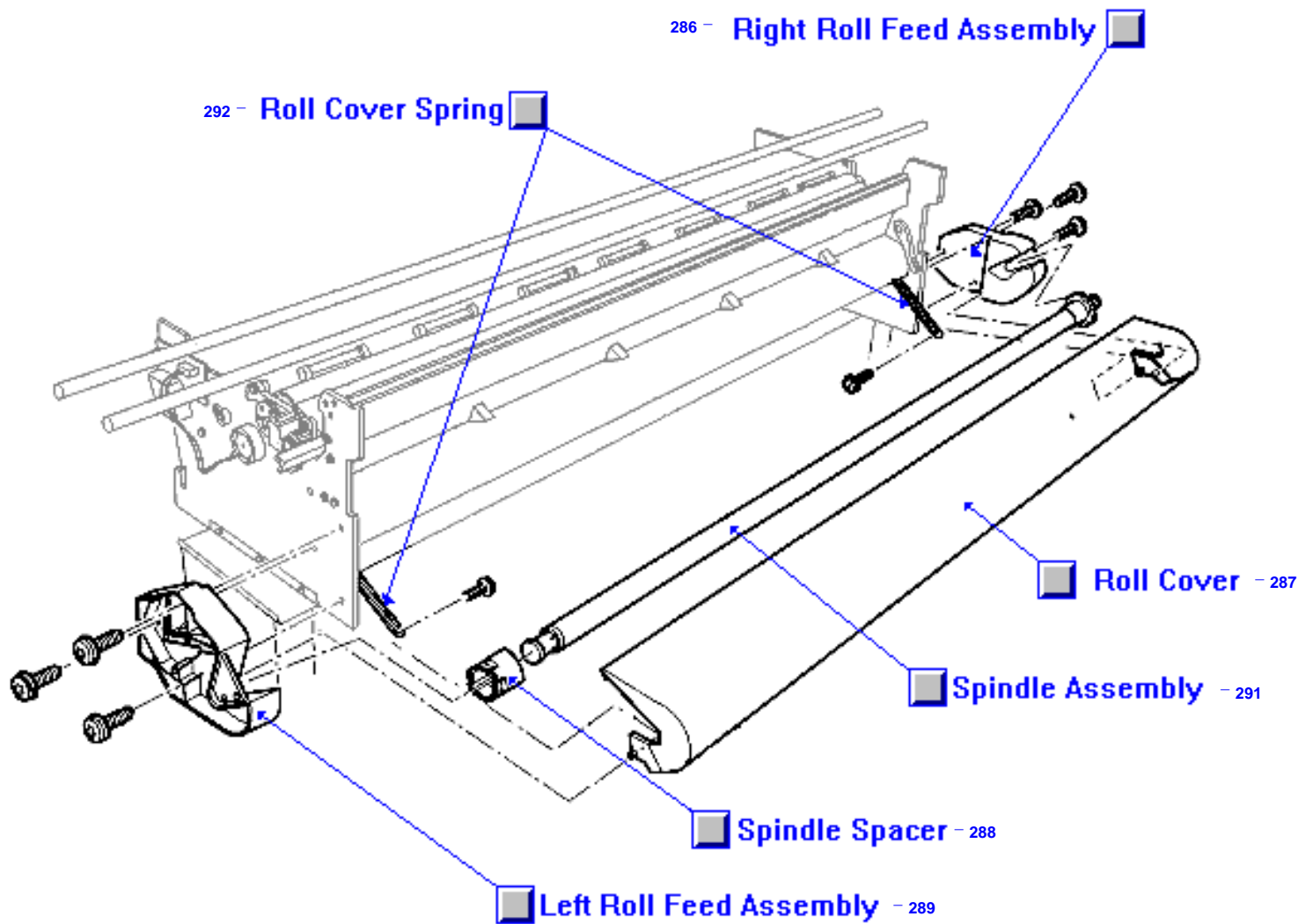
Serial Prefix ESC



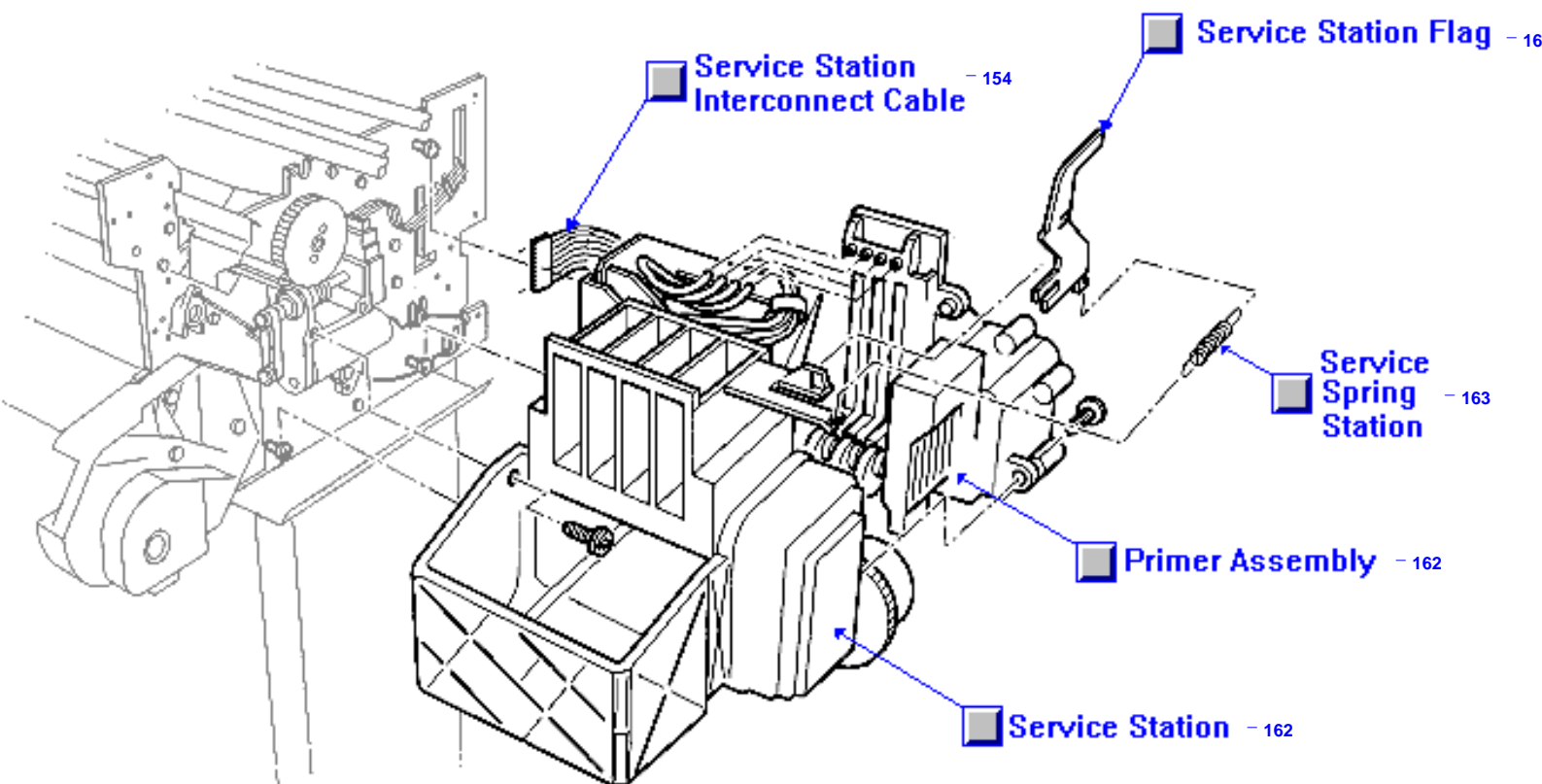
Right Hand Cover Area



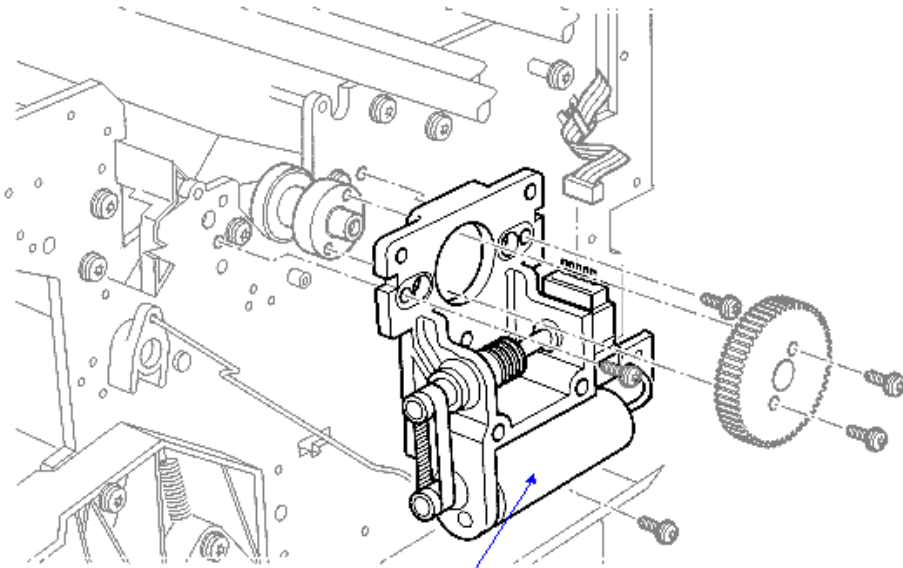
Roll Cover Area



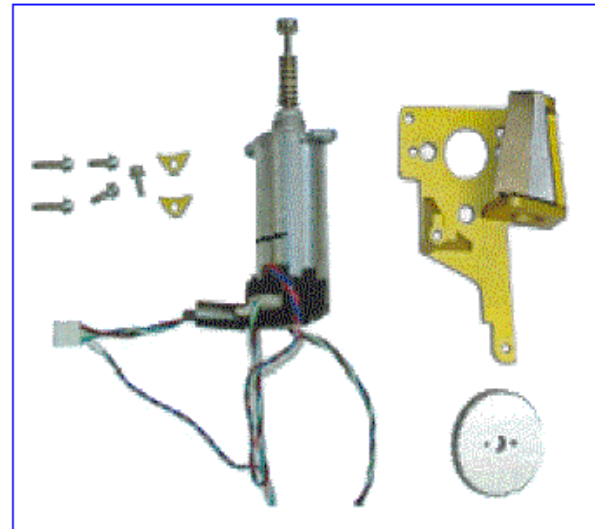
Service Station Assembly



X-Axis Motor Assembly



271, 272 - X-Axis Motor Assembly
(Old Style)

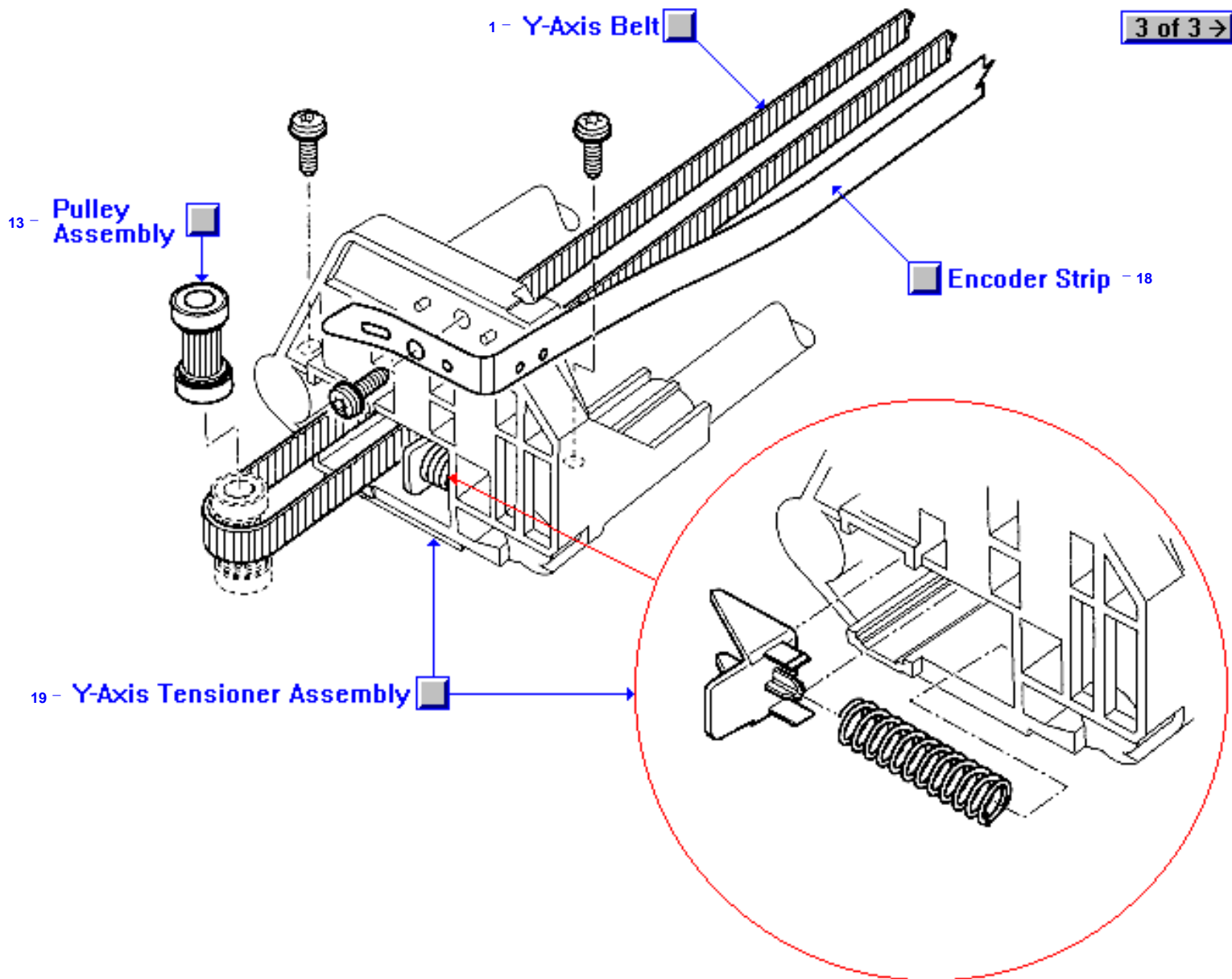


271, 272 - X-Axis Motor Replacement Kit
(New Style)

Y-Axis Assembly (1 of 3) Belt, Tensioner, Pulley and Encoder

2 of 3 →

3 of 3 →

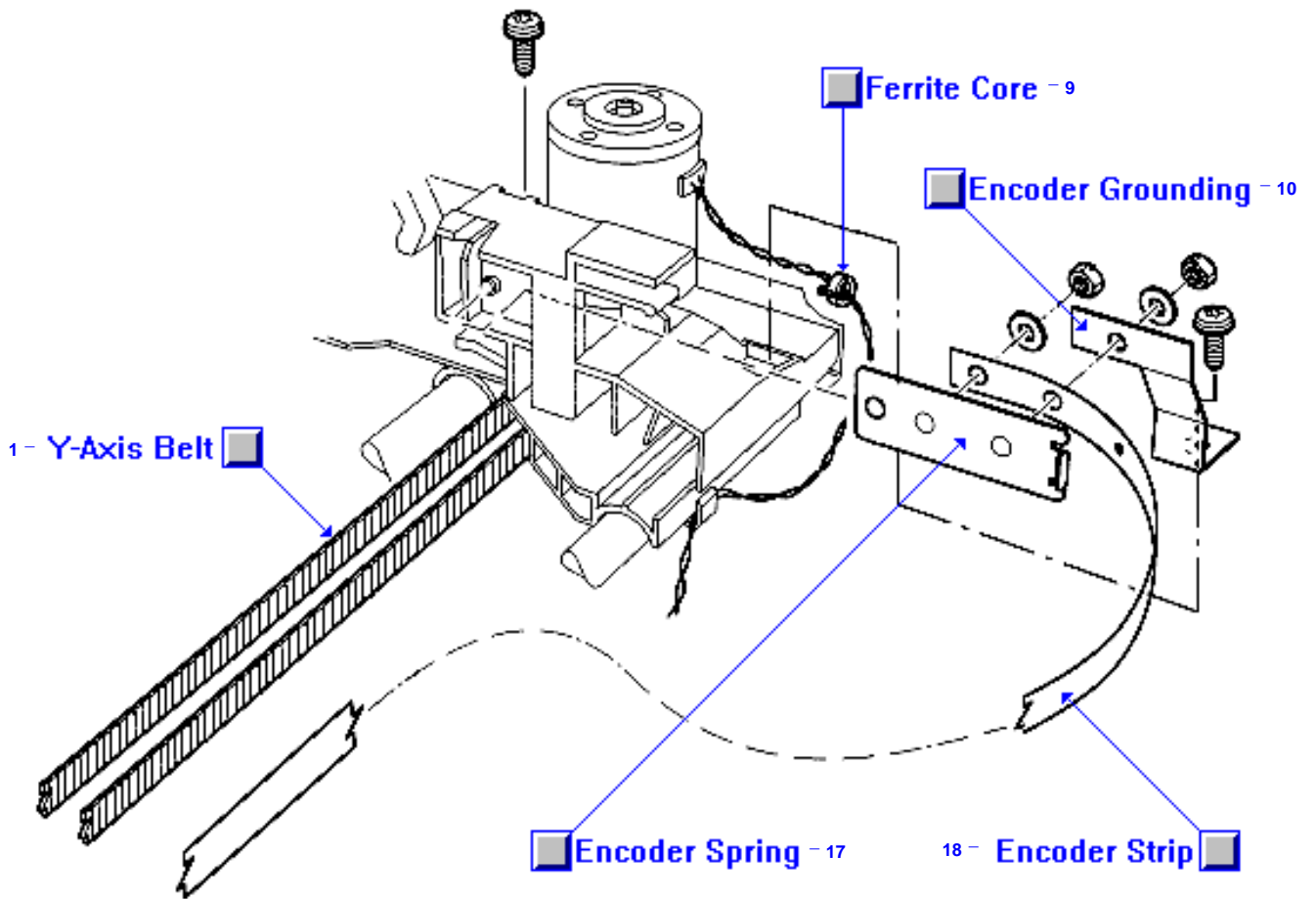


REAR VIEW

Y-Axis Assembly (2 of 3) Belt, Encoder Strip, Hardware

← 1 of 3

3 of 3 →

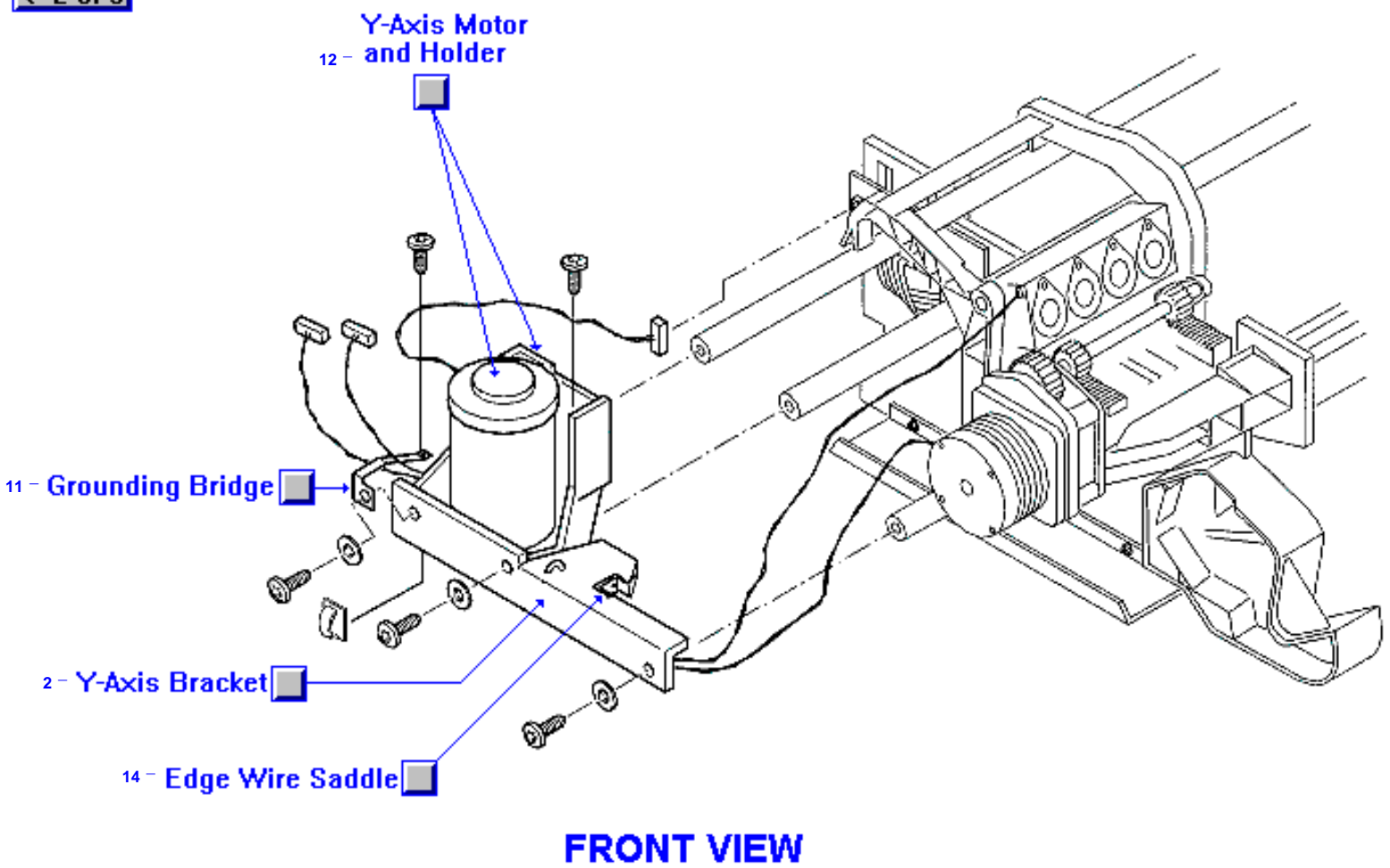


REAR VIEW

Y-Axis Assembly (3 of 3) Motor and Hardware

← 1 of 3

← 2 of 3





HP Parts Reference Guide

<http://www.hp.com/go/parts>

HP PartSurfer

<http://partsurfer.hp.com>

HP Parts Ordering Information

<http://www.hp.com/go/hpparts>

HP Parts Questions/Comments

<http://partsurfer.hp.com/contactus.htm>