



Electrical/Electronic

Cable

- 1 C7790-60204 Front panel cable - Connects the front panel to the main logic PC board
- C7791-60213 Motor harness - Connects to the carriage motor
- 3 C7791-60214 Encoder harness
- 4 C7791-60231 Duplexer OOP sensor harness

Front Panel

- 5 C7791-60141 Front panel assembly

PC Board

- 6 C7791-60132 Main logic PC board module - PC board is housed inside this metal chassis
- 7 C7791-60219 Cleanout interconnect PCA

Power Supply

- 8 C7790-60091 Worldwide input power supply module - 100V - 240V, 68W 50/60Hz - Includes fan

Sensor

- 9 C7790-60119 Door sensor assembly - Senses when the access door is opened or closed

External Case Parts

Cover

- 10 C7791-60216 Rear trim kit - Attaches to the rear of the printer on either side of the back/center cover (two used)
- 11 C7791-60285 Back/center cover - Covers the back and center of the printer and is located under the access door
- 12 C7791-60286 Right cover assembly - Houses the ink supply station and service station
- 13 C7791-60300 Left cover assembly - Houses the control panel

Door

- 14 C7790-60457 Printhead door assembly - Provides access to the printheads - Includes ink cartridge door hinge
- 15 C7791-60127 Rear cleanout door assembly - Used to remove paper jams
- 16 C7791-60277 Access door - Covers the top of the printer and provides access to the printheads and carriage
- 17 C7791-60294 Ink cartridge door - Provides access to the ink cartridges - DesignJet 130 ONLY

Other Internal Parts

Absorber

- 18 C7790-60144 ISS rear absorber foam - Absorbs excess ink during the cleaning process - Larger of two
- 19 C8109-67022 ISS bottom absorber foam - Absorbs excess ink during the cleaning process - Smaller of two

Belt

- 20 C7791-60233 Carriage belt - Used to move the carriage from side to side

Carriage Kit

- 21 C7791-60142 Carriage assembly - Includes trialing cable
- C7791-60279 Carriage assembly - Includes trialing cable

Encoder

- 23 C7791-60205 Encoder strip - Clear strip with position markers

Filter

- 24 C7790-60146 Filter Assembly - Located inside the right cover assembly
- C7790-60295 *New Part for C7790-60146*

Holder

- 25 C7790-60104 Encoder strip holder - Wire loop that connects to the carriage assembly that is used to hold the encoder strip
- 26 C7790-60124 Ink tube holder - Holds the ink tubes from the RIDS assembly



Other Internal Parts

Ink Delivery System

27 C7791-60129 RIDS assembly - Transports ink from the ink supply station to the printheads

Ink Supply Station

28 C7790-60089 Ink supply station assembly - Holds the ink cartridges and pumps ink out to the printheads

Spring

29 C7790-60125 Belt tensioner spring

Turnaround Assembly

30 C7791-60212 Turnaround assembly - Includes belt tensioning spring

Paper Path Parts

Cam

76 C7791-60232 Pick cam - Located on the left-side of the print mechanism

Guide

77 C7791-60202 Inner paper guide - Guides the paper through the paper path

Pivot

78 C7796-60026 Pivot assembly - Black plastic part under platen - Supports pick roller

Platen

79 C7791-60144 Print Platen - Surface that supports paper during printing

80 C7791-60220 Bypass platen assembly

Roller Assembly

81 C7791-60200 Pick roller assembly - Picks media from the input paper tray and feeds it through the paper path

82 C7791-60201 Feed roller assembly - Includes encoder disk and paper-axis motor assembly - Feeds media under the carriage assembly

Roller Kit

83 C7791-60230 Upper paper guide roller kit (includes 8 rollers) - Helps to guide media through paper path

84 C7791-60235 Lower paper guide roller kit - Helps to guide media through paper path

Sensor

85 C7791-60229 OOPS sensor

Starwheel

86 C7791-60245 Starwheel assembly - Provides downward pressure on media as it passes through the feed rollers

Paper Tray Parts

Cam

87 C8108-67050 Drawer and spring cam - Short, spring loaded lever attached to the paper tray frame - Used to draw input tray into position

Cover

88 C7791-60297 Paper input tray cover - Black plastic cover that is placed on top of the paper input tray

Paper Trays

Tray

89 C7791-60280 Paper output tray assembly

90 C7791-60298 Paper input tray assembly - Holds paper supply for printer

Paper and Other Media

Film (Transparency)

C3834A Premium InkJet transparency film - A size (8.5 x 11-inches) - 50 sheets per package

C3835A Premium InkJet transparency film - A4 size (21.0cm x 29.7cm) - 50 sheets per package

Paper and Other Media**Interface (Product)**

J4169A	JetDirect 610N internal print server (10Base-T and 100Base-TX) LAN interface board - Plugs into peripheral EIO slot - Has a RJ-45 connector - Comes with software on CD-ROM and manual
J6057A	JetDirect 615N internal print server (10Base-T and 100Base-TX) LAN interface board - Plugs into peripheral EIO slot - Has a RJ-45 connector - Comes with software on CD-ROM and manual

Paper

C7923A	Basic Heavyweight Paper - 61cm (24in) x 30.5m (100ft) (USA and Asia/Pacific)
C7929A	Super Heavyweight Paper - 61cm (24in) x 22.9m (75ft) (USA and Asia/Pacific)
Q1404A	Coated Paper - 61cm (24in) x 45.7m (150ft)

Paper (Coated)

C6019B	Coated paper (98 gsm) - 61cm (24in) x 45.7m (150ft) roll (USA, Canada, and Latin America)
C6029C	Heavyweight coated paper - 61cm (24in) x 30.5m (100ft) roll - For regular or UV resistant ink
C8281A	Basic Coated Paper - 61cm (24in) x 45.7m (150ft) (USA and Asia/Pacific)
Q1412A	Universal Heavyweight Coated paper - 61cm (24in) x 30.5m (100ft)
Q1442A	Coated Paper - 59.4cm (23.4in) x 45.7m (150ft)
Q1443A	Coated Paper - 42.0cm (16.5in) x 45.7m (150ft)

Paper (Glossy)

C6818A	Professional glossy InkJet brochure and flyer paper - A4 size (21.0cm x 29.7cm) - Glossy on both sides - 50 sheets per box
C6820A	Professional glossy InkJet brochure and flyer paper - Glossy on both sides - B size (11 x 17-inches) - 50 sheets per box
C6821A	Professional glossy InkJet brochure and flyer paper - A3 size (29.7cm x 42.0cm) - Glossy on both sides - 50 sheets per box
C8315A	High Gloss Photo Paper - 61cm (24in) x 30.5m (100ft) (USA and Asia/Pacific)
Q1426A	Universal High-Gloss Photo Paper - 61cm (24in) x 30.5m (100ft)
Q1966A	Semi-Gloss Proofing Paper - 61cm (24in) x 30.5m (100ft)
Q1987A	Glossy brochure and flyer paper - A size (8.5 x 11-inches) - 150 sheets per package

Paper (InkJet Photo)

C7007A	Photo quality InkJet paper - With two sided matte finish - A size (8.5 x 11-inches) - 100 sheets per package
--------	--

Paper (InkJet)

51634Y	InkJet non-glossy LX paper - A size (8.5 x 11-inches) - 200 sheets per package
51634Z	InkJet non-glossy LX paper - A4 size (21.0cm x 29.7cm) - 200 sheets per package
C1825A	Bright white InkJet paper - A4 size (21.0cm x 29.7cm) - 500 sheets per package
C1853A	Premium InkJet heavyweight paper - A4 size (21.0cm x 29.7cm) - Coated on both sides - 100 sheets per package
C1855A	Premium InkJet paper - B size (11 x 17-inches) - 100 sheets per package
C1858A	Bright white InkJet paper - A3 size (29.7cm x 42.0cm) - 200 sheets per package
C5977A	Bright white InkJet paper - A4 size (21.0cm x 29.7cm) - 200 sheets per package

Paper (Matte)

C6955A	Professional and flyer paper (Matte) - A size (8.5 x 11-inches) - 50 sheets
--------	---

Paper (Photo)

C6039A	Premium glossy photo paper (Fast dry time) - A size (8.5 x 11-inches) - 15 sheets per package
C6040A	Premium glossy photo paper - A4 size (21.0cm x 29.7cm) - 15 sheets per package (Europe, Brazil, and Argentina)
C6058A	Premium photographic paper - B size (11 x 17-inches) - 20 sheets
C6059A	Premium photographic paper - A3 size (29.7cm x 42.0cm) - 20 sheets
C6831A	Premium plus glossy InkJet photographic paper - A size (8.5 x 11-inches) - 20 sheets per package
C6832A	Premium plus glossy InkJet photographic paper - A4 size (21.0cm x 29.7cm) - 20 sheets per package
C6950A	Premium Plus matte inkjet photographic paper - A size (8.5 x 11-inches) - 20 sheets per package

Paper and Other Media**Paper (Photo)**

C6951A	Premium plus matte InkJet photographic paper - A4 size (21.0cm x 29.7cm) - 20 sheets per package
C6979A	Premium glossy photo paper (fast dry time) - A size (8.5 x 11-inches) - 50 sheets per package
C8310A	Basic Photo Satin paper - 61cm (24in) x 30.5m (100ft) (USA and Asia/Pacific)
Q1420A	Semi-Gloss Photo Paper - 61cm (24in) x 30.5m (100ft)
Q1785A	Photo Paper - A size (8.5 x 11-inches) - 50 sheets
Q1786A	Premium Plus Photo Paper - A4 size (21.0cm x 29.7cm) - 50 sheets

Paper (Semi-Glossy)

C7884A	Large format proofing semi-gloss media - 33.0 cm (13in) x 48.3cm (19in)
Q2509A	Semi-gloss Everyday Photo Paper - A size (8.5 x 11-inches) - 100 sheets
Q2511A	Semi-gloss Everyday Photo Paper - A4 size (21.0cm x 29.7cm) - 100 sheets

Print Mechanism Parts**Belt**

91	C8108-67048	Drive belt for the output mechanism assembly
----	-------------	--

Encoder

92	C8108-67051	Paper motor encoder disk - Mounts on the left end of the pivot and feedroller assembly shaft
----	-------------	--

Motor

93	C7791-60143	Carriage drive motor - Drives the carriage belt
94	C8108-67038	Paper motor assembly - Powers the drive roller
95	C8108-67040	Ramp motor assembly - Used to operate paper output rollers

Spittoon

96	C7791-60203	Ink spittoon - Holds any residual ink from the print cartridge cleaning process
----	-------------	---

Support

97	C8108-67042	Output mechanism support assembly
----	-------------	-----------------------------------

Roll Feed Assembly Parts**Bracket**

98	C7791-60215	Rollfeed support bracket - Used in conjunction with the automatic rollfeed kit
----	-------------	--

Cutter

99	C7797-60007	Media cutter assembly
----	-------------	-----------------------

Rollfeed Assy

100	Q1247-60023	Automatic rollfeed kit
	Q1247A	DesignJet 100 series auto roll feed assembly - Automatically feeds paper into the plotter

Spindle

102	C7797-60008	24 inch spindle assembly
	Q1264A	DesignJet 100 series spindle accessory - Japan Only

Stand Parts**Adapter**

104	Q1246-60011	Base adaptor kit (includes 2)
-----	-------------	-------------------------------

Bin

105	Q1246-60010	Paper bin assembly
-----	-------------	--------------------

Brace

106	Q1246-60008	X-brace assembly - Connects between both legs
-----	-------------	---



Stand Parts

Foot

107 Q1246-60009 Foot assembly (includes 2)

Leg

108 Q1246-60007 Legs assembly (includes 2)

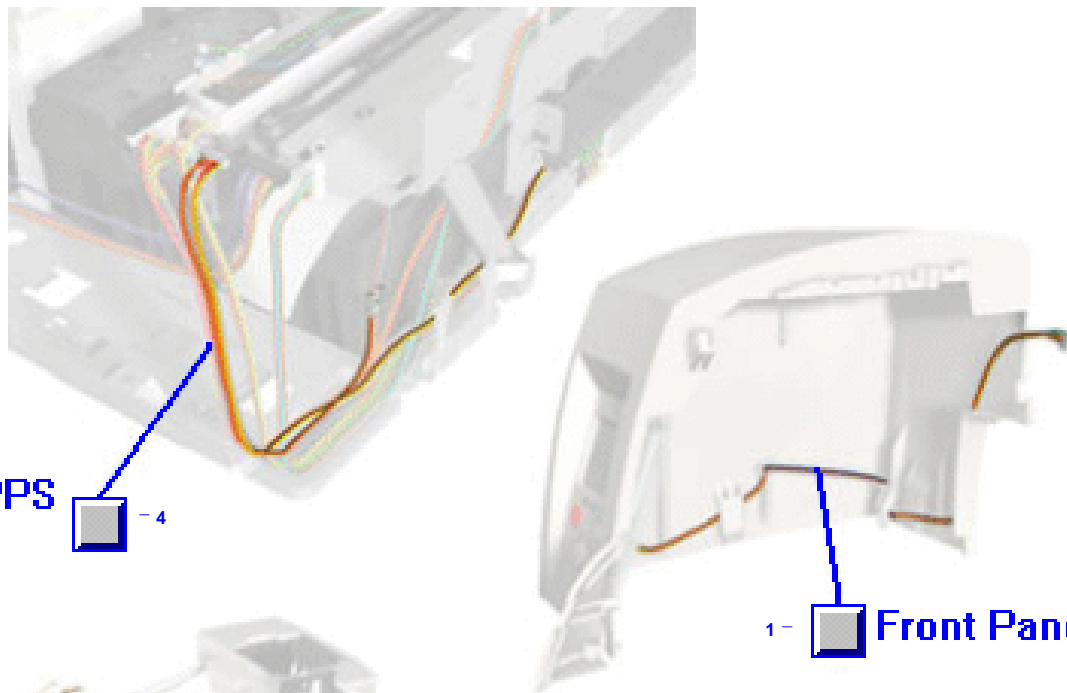
Stand

Q1246A DesignJet 100 series printer stand & media bin

Support

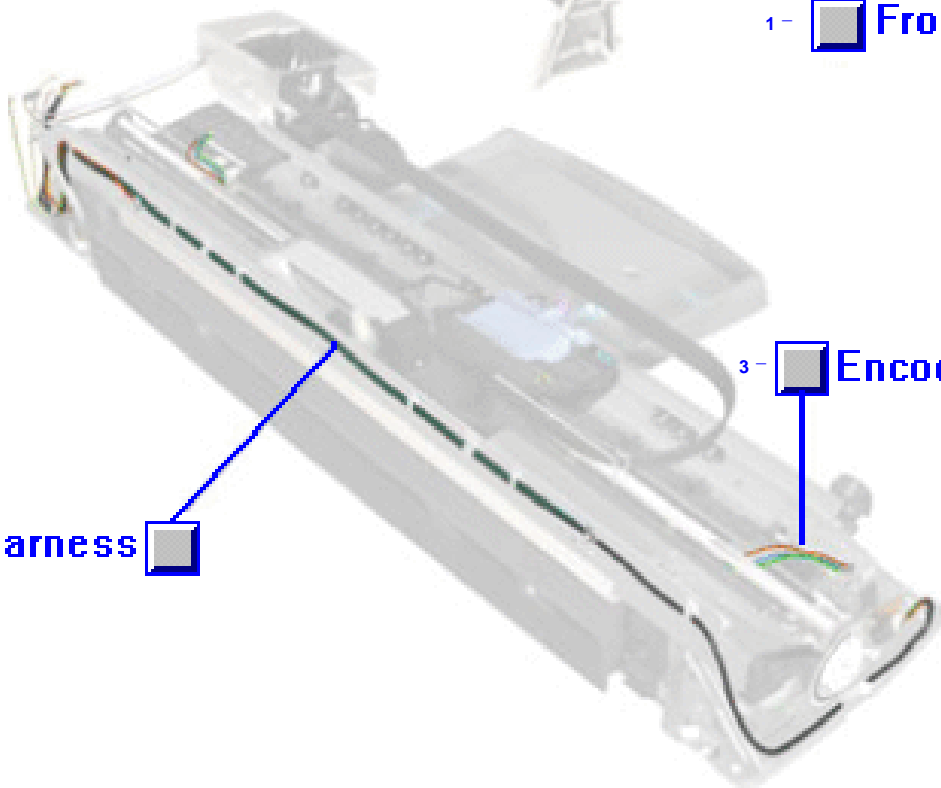
110 Q1246-60012 Input tray support - Used to support the weight of the input paper tray

Cable Harness



**Duplex OPPS
Harness**  -4

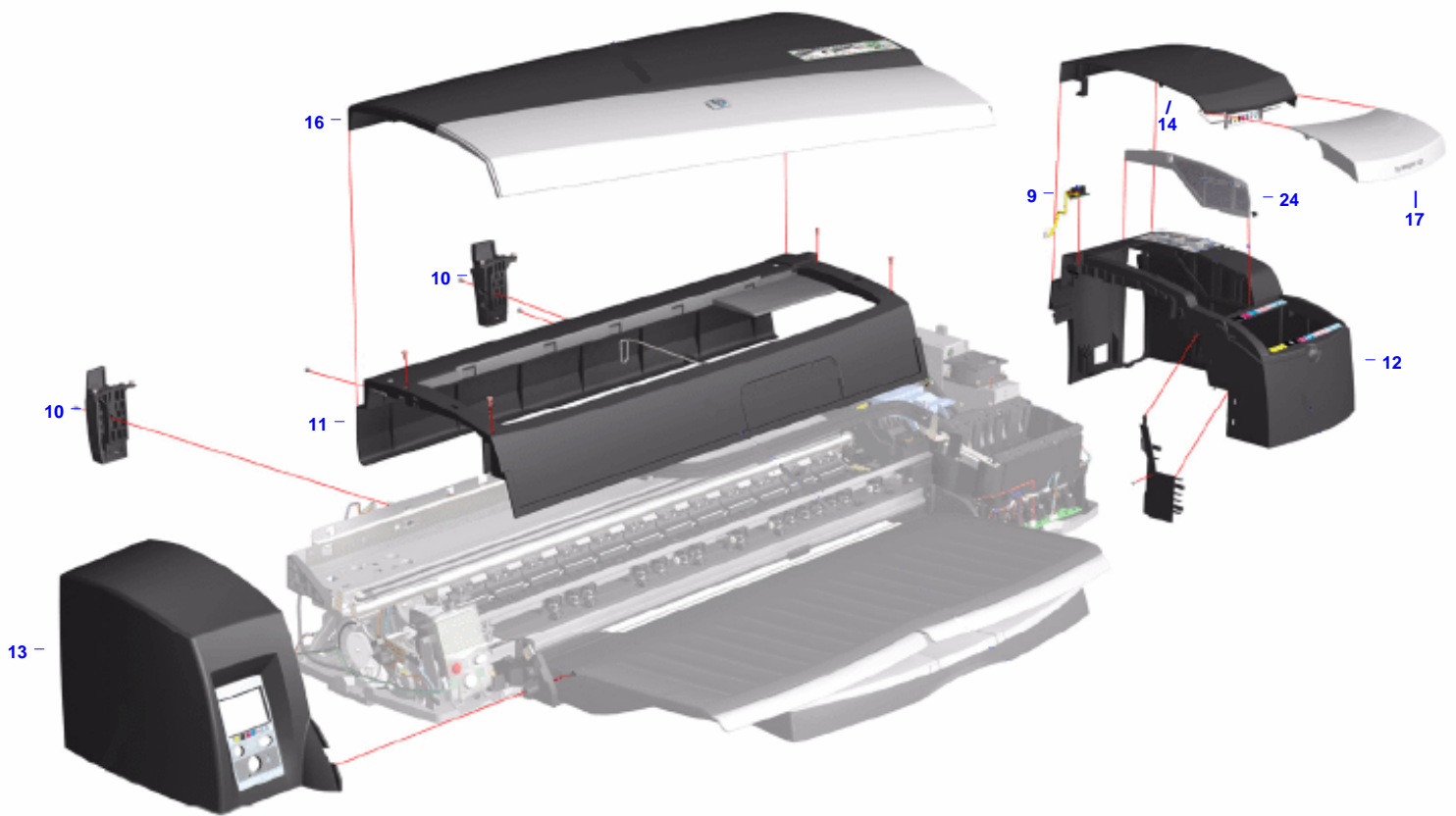
1-  **Front Panel Cable**



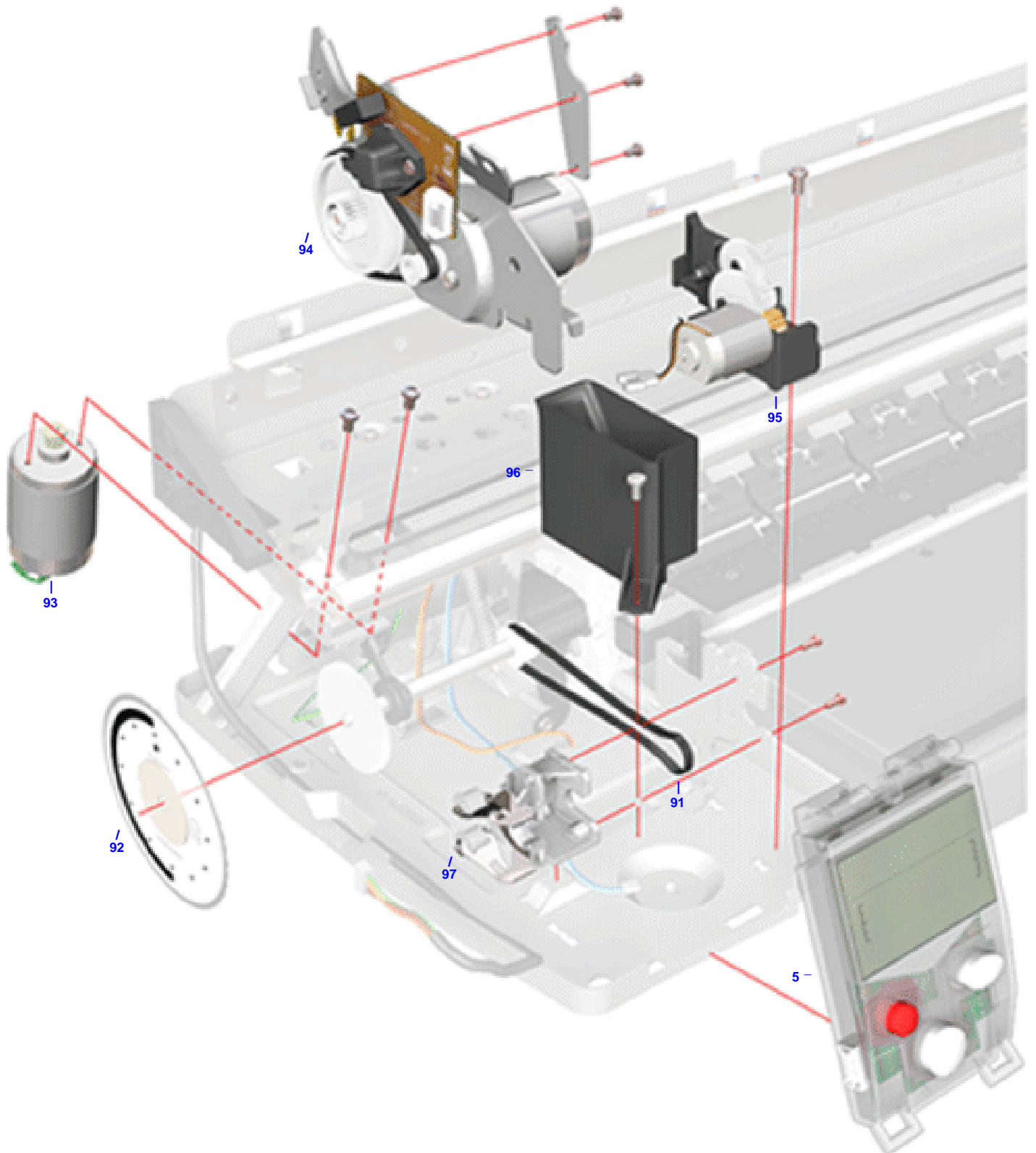
Motor Harness 

3-  **Encoder Harness**

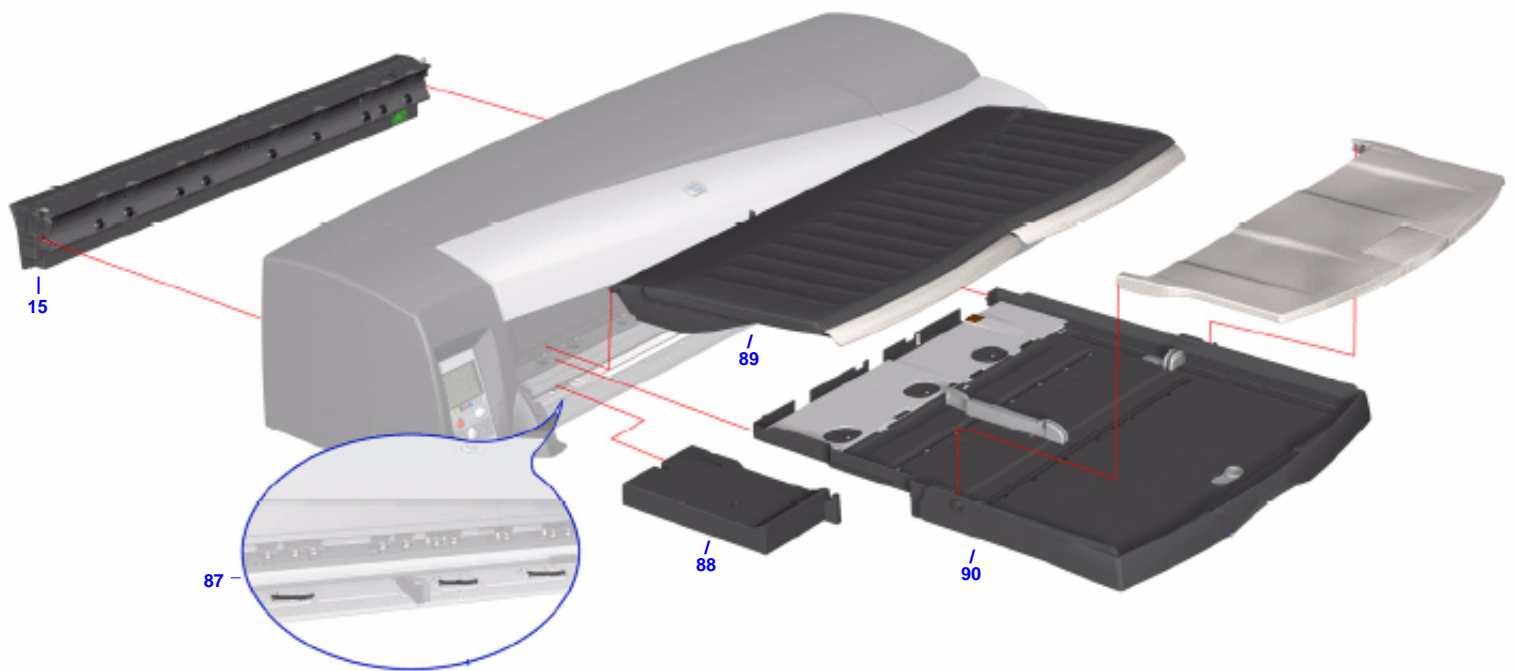
Cover Assemblies



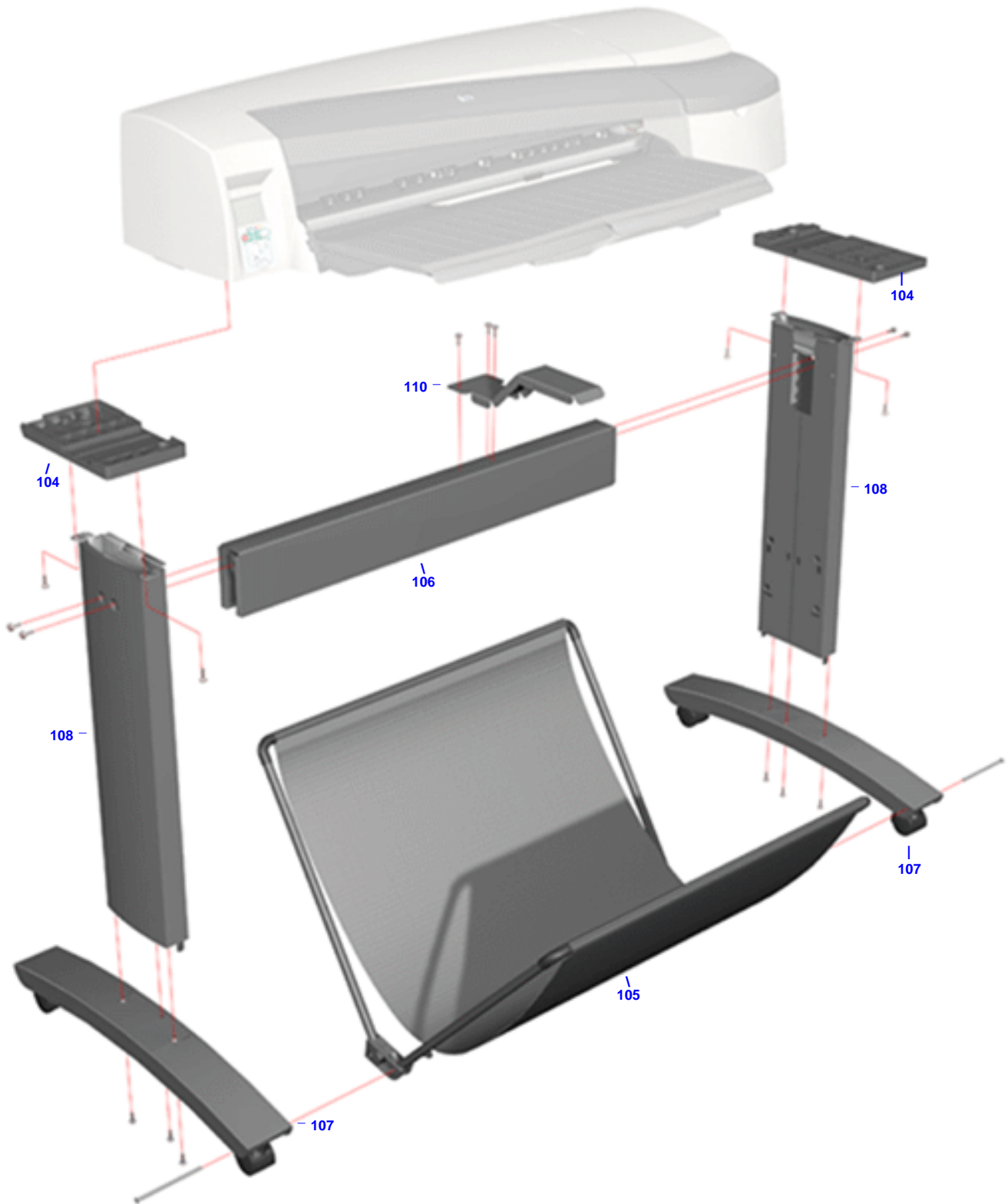
Left-side Assemblies



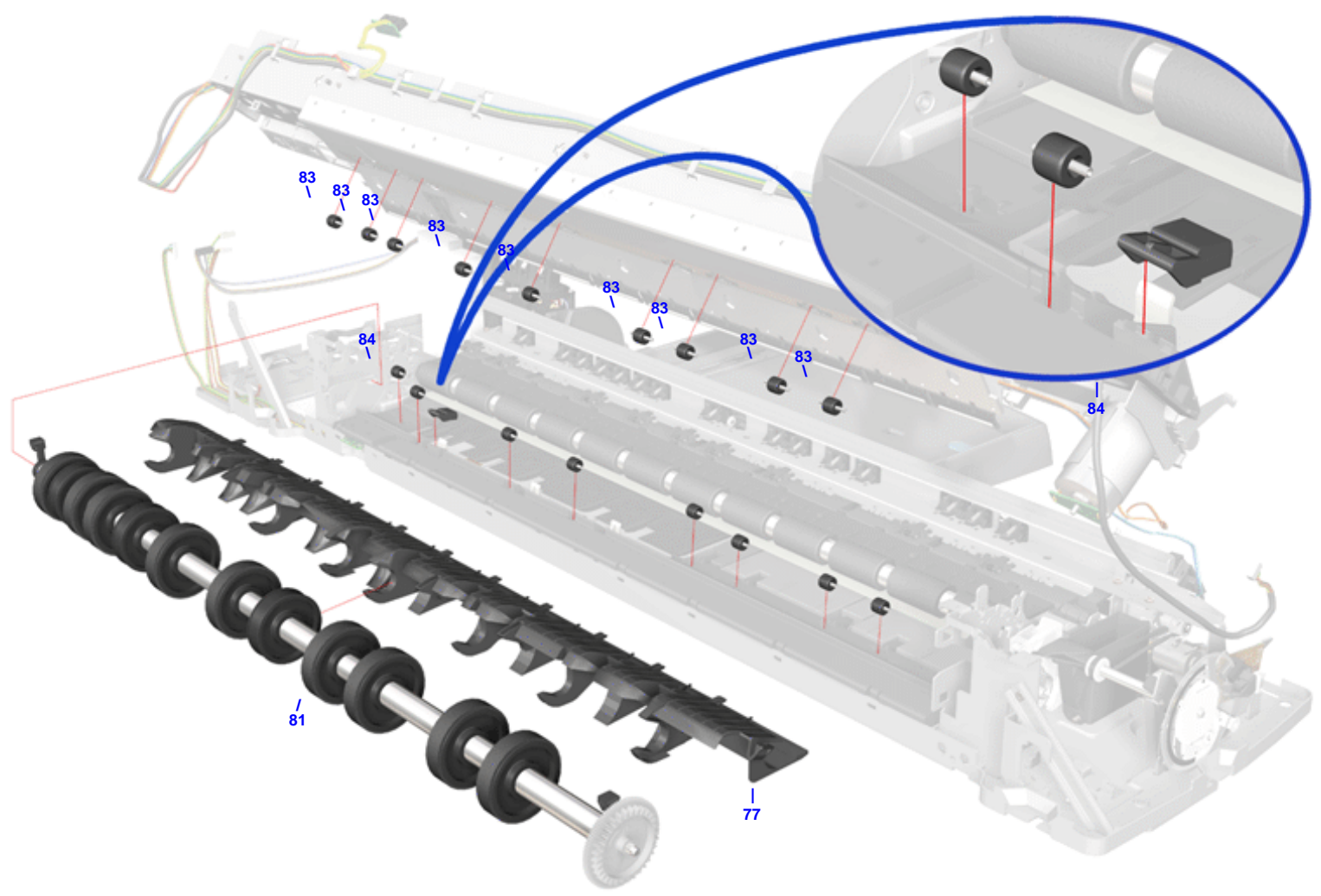
Paper Feed Assemblies



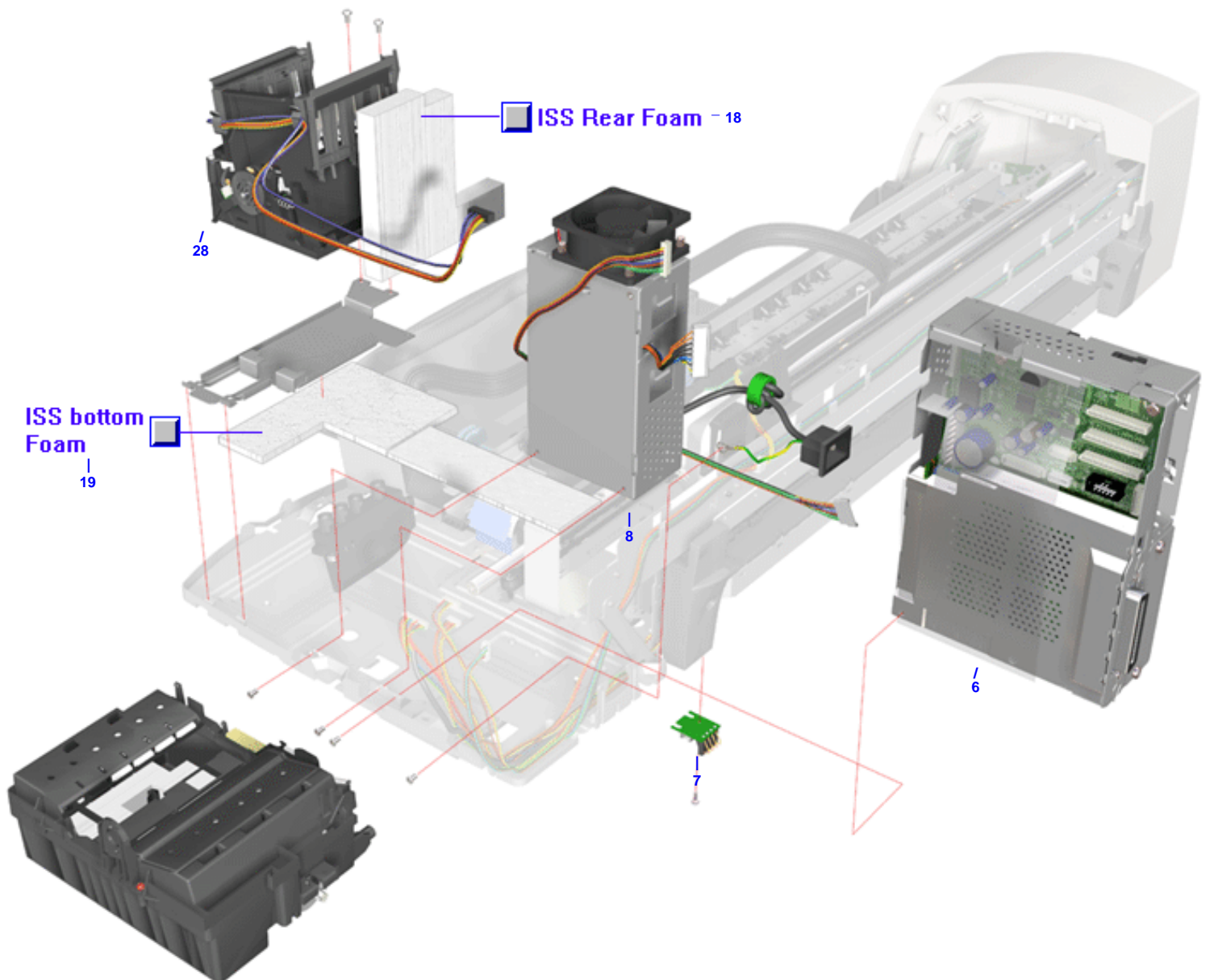
Printer Stand and Paper Bin



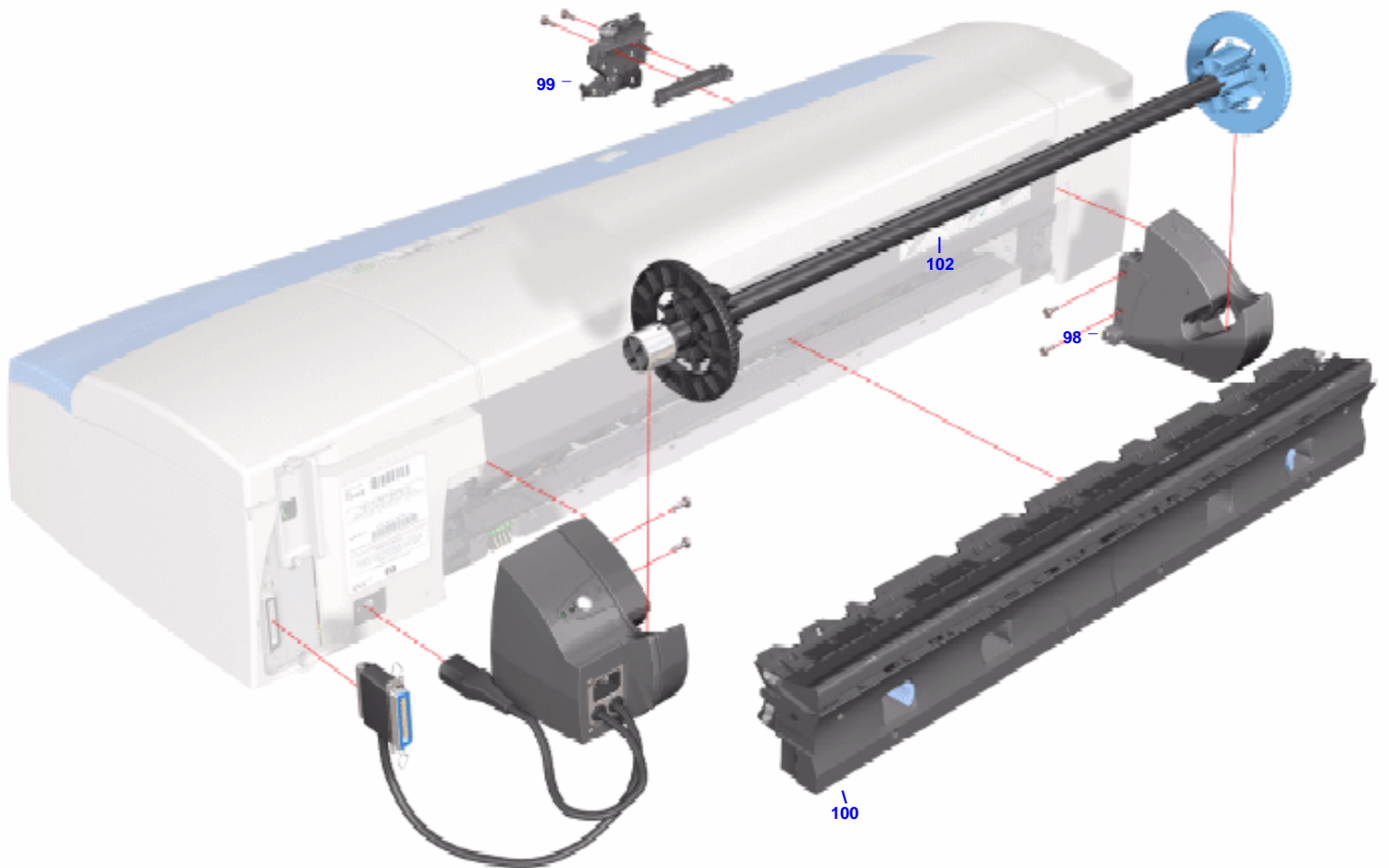
Rear Paper Path Assemblies



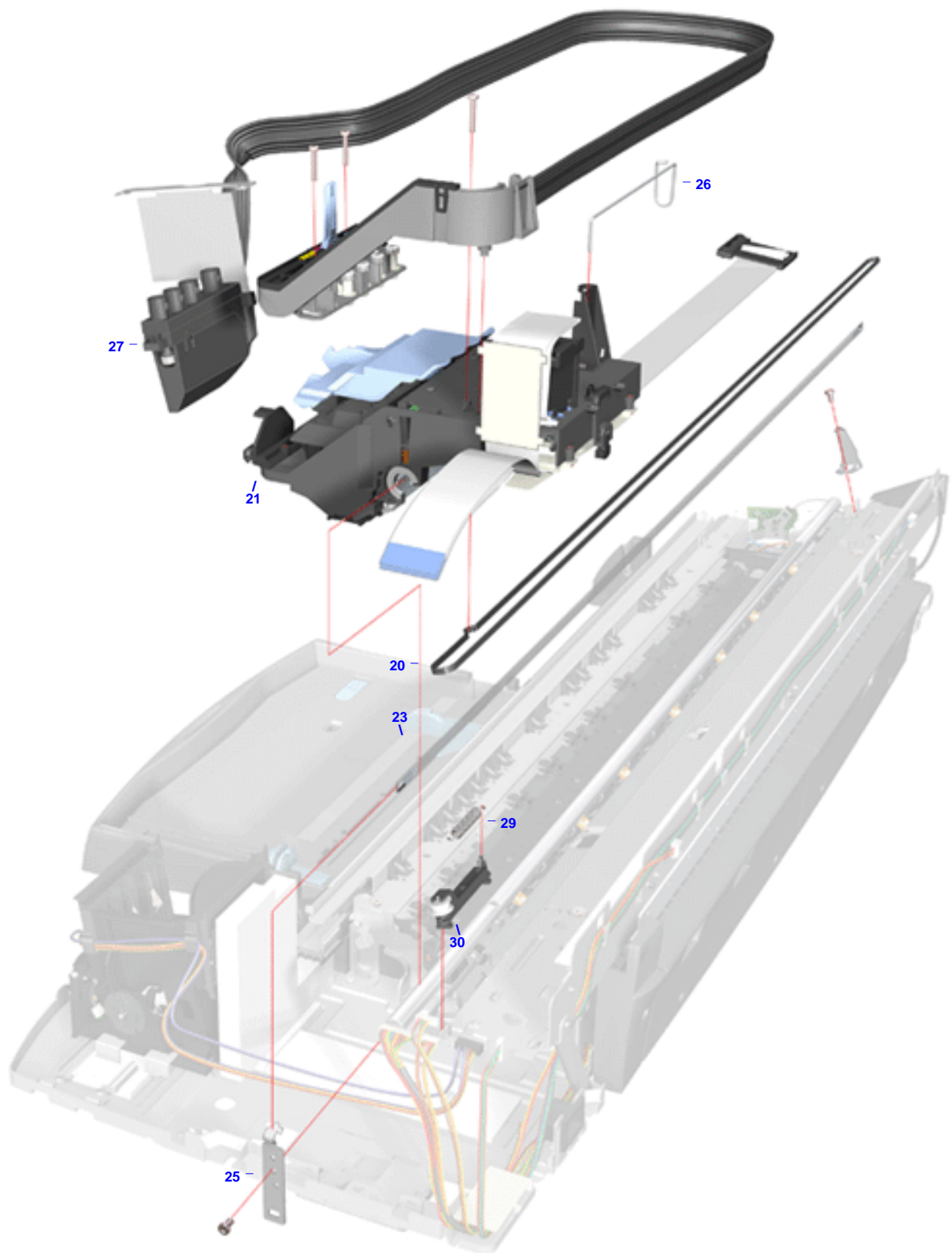
Right-side Assemblies



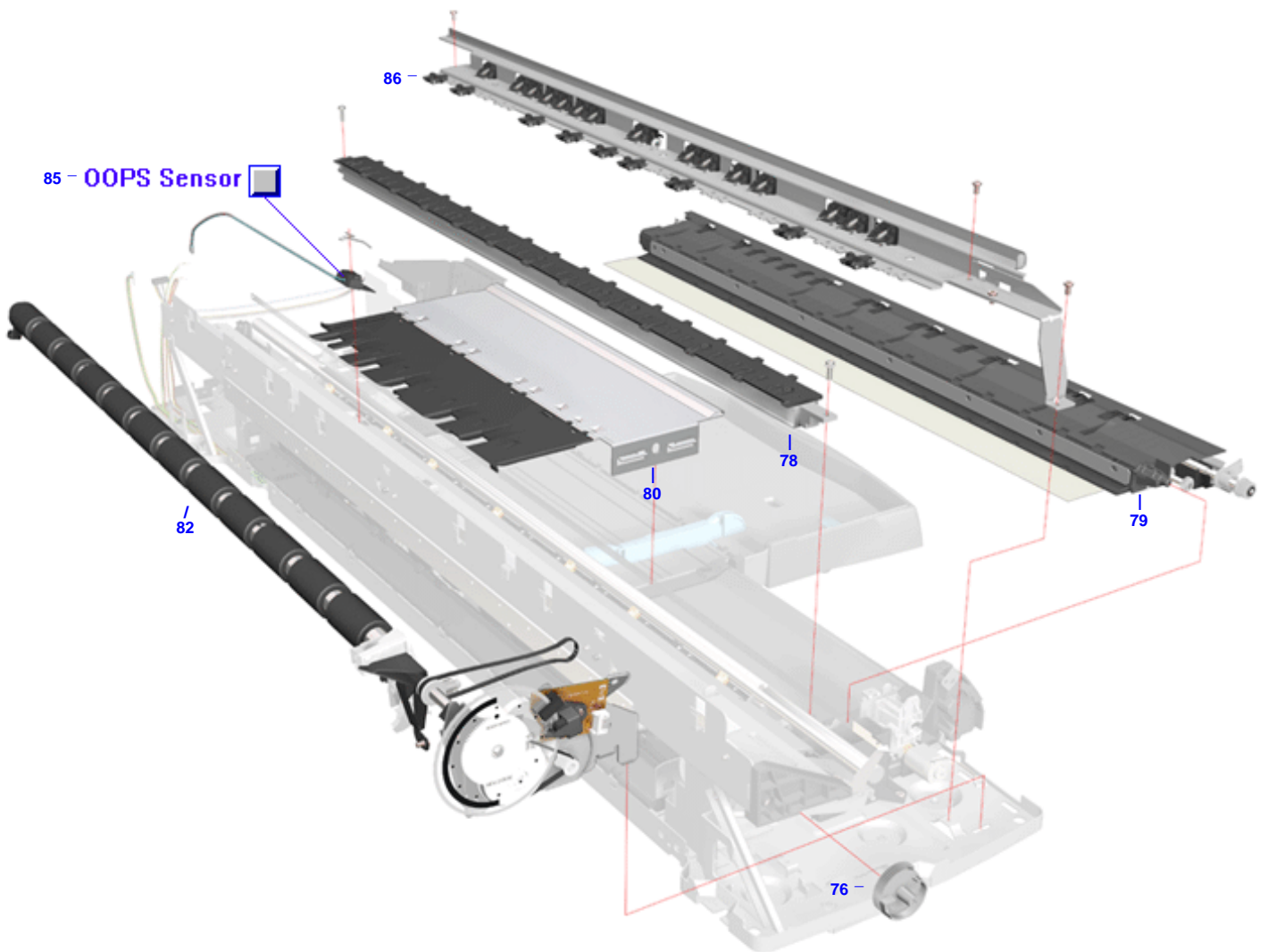
Rollfeed Components



Scan-Axis Assembly



Top Paper Path Assemblies





HP Parts Reference Guide

<http://www.hp.com/go/parts>

HP PartSurfer

<http://partsurfer.hp.com>

HP Parts Ordering Information

<http://www.hp.com/go/hpparts>

HP Parts Questions/Comments

<http://partsurfer.hp.com/contactus.htm>