

**Electrical/Electronic****Cable**

1	C7790-60204	Front panel cable - Connects the front panel to the main logic PC board
2	C7791-60213	Motor harness - Connects to the carriage motor
3	C7791-60214	Encoder harness
4	C7791-60231	Duplexer OOP sensor harness

**Front Panel**

5	C7791-60141	Front panel assembly
---	-------------	----------------------

**Sensor**

6	C7790-60119	Door sensor assembly - Senses when the access door is opened or closed
---	-------------	--

**Electronics/Power Supply****PC Board**

7	C7791-60132	Main logic PC board module - PC board is housed inside this metal chassis
	C7796-60016	Main logic PC board module - PC board is housed inside this metal chassis

**Power Cord**

8120-6798	Power cord (Flint Gray) - 18 AWG, 2.3m (7.5ft) long - Has straight (F) receptacle (For 100V in Japan)
8120-6810	Power cord (Flint Gray) - 2.3m (7.5ft) long - Has straight (F) receptacle (For 240V operation in Australia, New Zealand)
8120-6811	Power cord (Flint Gray) - 17 AWG, 2.3m (7.5ft) long - Has straight (F) receptacle (For 220V in Europe, Saudi Arabia, South Africa, India, and Korea)
8120-6812	Power cord (Flint Gray) - 18 AWG, 2.3m (7.5ft) long - Has straight (F) receptacle (For 120V in the USA, Canada, Mexico, Philippines, and Taiwan)
8120-6813	Power cord (Flint Gray) - 17 AWG, 2.3m (7.5ft) long - Has straight (F) receptacle (For 220V in South Africa, Saudi Arabia, and India)
8120-6814	Power cord (Flint Gray) - 17 AWG, 2.3m (7.5ft) long - Has straight (F) receptacle (For 220V in Denmark)
8120-6815	Power cord (Flint Gray) - 17 AWG, 2.3m (7.5ft) long - Has straight (F) receptacle (For 220V in Switzerland)
8120-6869	Power cord (Flint Gray) - 2.3m (7.5ft) long, 3-wire - Has straight (F) receptacle (For 220V in Argentina)
8120-8705	Power cord (Mint Gray) - 17 AWG, 2.3m (7.5ft) long - Has straight (F) receptacle (For 240V in the UK, Hong Kong, Singapore, and Malaysia)
8120-8707	Power cord (Flint Gray) - 17 AWG, 2.3m (7.5ft) long - Has straight (F) receptacle (For 220V in China)
8120-8871	Power cord (Black) - 17 AWG, 2.3m (7.5ft) long - Has straight (F) receptacle (For 220V in Thailand, Cambodia, Vietnam, and the Philippines)

**Power Supply**

20	C7790-60091	Worldwide input power supply module - 100V - 240V, 68W 50/60Hz - Includes fan
----	-------------	---

**External Case Parts****Cover**

21	C7791-60137	Left cover assembly - Houses the control panel
22	C7791-60138	Right cover assembly - Houses the ink supply station and service station
23	C7791-60216	Rear trim kit - Attaches to the rear of the printer on either side of the back/center cover (two used)
24	C7791-60256	Back/center cover - Covers the back and center of the printer and is located under the access door

**Door**

25	C7790-60106	Printhead door assembly - Provides access to the printheads - Includes ink cartridge door hinge
26	C7791-60127	Rear cleanout door assembly - Used to remove paper jams
27	C7791-60130	Ink cartridge door - Provides access to the ink cartridges - DesignJet 120 ONLY
28	C7791-60139	Access door - Covers the top of the printer and provides access to the printheads and carriage

**Other Accessories****Cartridge**

C4836AA	No. 11 standard capacity Cyan ink cartridge (holds 28cc's of ink) - Prints approximately 1750 pages at 5% density per color (Asia/Pacific)
C4836AE	No. 11 standard capacity Cyan ink cartridge (holds 28cc's of ink) - Prints approximately 1750 pages at 5% density per color (Europe)
C4836AL	No. 11 standard capacity Cyan ink cartridge (holds 28cc's of ink) - Prints approximately 1750 pages at 5% density per color (Latin America)
C4836AN	No. 11 standard capacity Cyan ink cartridge (holds 28cc's of ink) - Prints approximately 1750 pages at 5% density per color (USA)
C4837AA	No. 11 standard capacity Magenta ink cartridge (holds 28cc's of ink) - Prints approximately 1750 pages at 5% density per color (Asia/Pacific)
C4837AE	No. 11 standard capacity Magenta ink cartridge (holds 28cc's of ink) - Prints approximately 1750 pages at 5% density per color (Europe)
C4837AL	No. 11 standard capacity Magenta ink cartridge (holds 28cc's of ink) - Prints approximately 1750 pages at 5% density per color (Latin America)
C4837AN	No. 11 standard capacity Magenta ink cartridge (holds 28cc's of ink) - Prints approximately 1750 pages at 5% density per color (USA)
C4911A	No.82 standard capacity cyan ink cartridge (69ml ink)
C4912A	No.82 standard capacity magenta ink cartridge (69ml ink)
C4913A	No.82 standard capacity yellow ink cartridge (69ml)
C5016A	No.84 black ink cartridge (69ml)
C5017A	No.84 light cyan ink cartridge (69ml)
C5018A	No.84 light magenta ink cartridge (69ml)

**Hardware Kit**

Q1246-60013	Hardware kit - Contains various tools and screws to assemble the stand assembly
-------------	---

**Printhead**

C4810A	No. 11 Black ink printhead
C4811A	No. 11 Cyan ink printhead
C4812A	No. 11 Magenta ink printhead
C4813A	No. 11 Yellow ink printhead
C5019A	No.84 black printhead
C5020A	No.84 light cyan printhead
C5021A	No.84 light magenta printhead

**Spindle**

Q1264A	DesignJet 100 series spindle accessory - Japan Only
--------	---

**Stand**

Q1246A	DesignJet 100 series printer stand & media bin
--------	--

**Other Internal Parts****Absorber**

53	C7790-60144	ISS rear aborber foam - Absorbs excess ink during the cleaning process - Larger of two
54	C8109-67022	ISS bottom aborber foam - Absorbs excess ink during the cleaning process - Smaller of two

**Filter**

55	C7790-60146	Filter Assembly - Located inside the right cover assembly
	C7790-60295	<i>New Part for C7790-60146</i>

**Ink Supply Station**

56	C7790-60089	Ink supply station assembly - Holds the ink cartridges and pumps ink out to the printheads
----	-------------	--

**Other Internal Parts**
**PC Board**

57 C7791-60219 Cleanout interconnect PCA

**Sensor**

58 C7791-60229 OOPS sensor

**Spittoon**

59 C7791-60203 Ink spittoon - Holds any residual ink from the print cartridge cleaning process

**Support**

60 C8108-67042 Output mechanism support assembly

**Paper Tray Parts**
**Cam**

121 C8108-67050 Drawer and spring cam - Short, spring loaded lever attached to the paper tray frame - Used to draw input tray into position

**Paper Trays**
**Tray**

122 C7791-60145 Paper output tray assembly

123 C7791-60146 Paper input tray assembly - Holds paper supply for printer

**Paper and Other Media**
**Interface (Product)**

J6057AR JetDirect 615N internal print server (10Base-T and 100Base-TX) LAN interface board - Plugs into peripheral EIO slot - Has a RJ-45 connector - Comes with software on CD-ROM and manual

**Paper**

C7923A Basic Heavyweight Paper - 61cm (24in) x 30.5m (100ft) (USA and Asia/Pacific)

C7929A Super Heavyweight Paper - 61cm (24in) x 22.9m (75ft) (USA and Asia/Pacific)

Q1404A Coated Paper - 61cm (24in) x 45.7m (150ft)

**Paper (Bright White)**

C6035A Bright white InkJet paper - 61cm (24in) x 45.7m (150ft) roll

Q1445A Bright White paper - 59.4cm (23.4in) x 45.7m (150ft)

Q1446A Bright White paper - 42.0cm (16.5in) x 45.7m (150ft)

**Paper (Coated)**

C6019A Coated Paper (98 gsm) - 61cm (24in) x 45.7m (150ft)

C6029C Heavyweight coated paper - 61cm (24in) x 30.5m (100ft) roll - For regular or UV resistant ink

C8281A Basic Coated Paper - 61cm (24in) x 45.7m (150ft) (USA and Asia/Pacific)

Q1412A Universal Heavyweight Coated paper - 61cm (24in) x 30.5m (100ft)

Q1442A Coated Paper - 59.4cm (23.4in) x 45.7m (150ft)

Q1443A Coated Paper - 42.0cm (16.5in) x 45.7m (150ft)

Q1961A Coated Paper - Architectural C size (18 x 24-inches) - 100 sheets

Q1962A Coated Paper - Architectural D size (24 x 36-inches) - 100 sheets

**Paper (Glossy)**

C6817A Professional glossy InkJet brochure and flyer paper - Glossy on both sides - A size (8.5 x 11-inches) - 50 sheets per box

C6818A Professional glossy InkJet brochure and flyer paper - A4 size (21.0cm x 29.7cm) - Glossy on both sides - 50 sheets per box

C6820A Professional glossy InkJet brochure and flyer paper - Glossy on both sides - B size (11 x 17-inches) - 50 sheets per box

C6821A Professional glossy InkJet brochure and flyer paper - A3 size (29.7cm x 42.0cm) - Glossy on both sides - 50 sheets per box

C8315A High Gloss Photo Paper - 61cm (24in) x 30.5m (100ft) (USA and Asia/Pacific)

**Paper and Other Media****Paper (Glossy)**

Q1426A	Universal High-Gloss Photo Paper - 61cm (24in) x 30.5m (100ft)
Q1930A	Glossy Brochure and Flyer Paper - A4 size (21.0cm x 29.7cm) - 50 sheets
Q1963A	Proofing Gloss Paper - Architectural C size (18 x 24-inches) - 50 sheets
Q1964A	Proofing Gloss Paper - Architectural D size (24 x 36-inches) - 50 sheets
Q1965A	Proofing Gloss paper - 61cm (24in) x 30.5m (100ft)
Q1966A	Semi-Gloss Proofing Paper - 61cm (24in) x 30.5m (100ft)
Q1970A	Glossy Proofing Paper - 33.0 cm (13in) x 48.3cm (19in)

**Paper (InkJet Photo)**

C6983A	Photo quality InkJet paper - With two sided semi-gloss finish - A size (8.5 x 11-inches) - 25 sheets per package
C6984A	Photo quality InkJet paper - A4 size (21.0cm x 29.7cm) - Has two sided semi-gloss finish - 25 sheets per package
C7006A	Photo quality InkJet paper - A4 size (21.0cm x 29.7cm) - Has two sided semi-gloss finish - 25 sheets per package
C7007A	Photo quality InkJet paper - With two sided matte finish - A size (8.5 x 11-inches) - 100 sheets per package

**Paper (InkJet)**

51634Y	InkJet non-glossy LX paper - A size (8.5 x 11-inches) - 200 sheets per package
51634Z	InkJet non-glossy LX paper - A4 size (21.0cm x 29.7cm) - 200 sheets per package
C1824A	Bright white InkJet paper - A size (8.5 x 11-inches) - 500 sheets per package
C1825A	Bright white InkJet paper - A4 size (21.0cm x 29.7cm) - 500 sheets per package
C1852A	Premium InkJet heavyweight paper - A size (8.5 x 11-inches) - 15 sheets per package
C1853A	Premium InkJet heavyweight paper - A4 size (21.0cm x 29.7cm) - Coated on both sides - 100 sheets per package
C1855A	Premium InkJet paper - B size (11 x 17-inches) - 100 sheets per package
C1856A	Premium InkJet paper - A3 size (29.7cm x 42.0cm) - 100 sheets
C1857A	Bright white InkJet paper - B size (11 x 17-inches) - 200 sheets per package
C1858A	Bright white InkJet paper - A3 size (29.7cm x 42.0cm) - 200 sheets per package
C5976B	Bright white InkJet paper - A size (8.5 x 11-inches) - 250 sheets per package
C5977A	Bright white InkJet paper - A4 size (21.0cm x 29.7cm) - 200 sheets per package

**Paper (Matte)**

C6955A	Professional and flyer paper (Matte) - A size (8.5 x 11-inches) - 50 sheets
--------	---

**Paper (Photo)**

C6039A	Premium glossy photo paper (Fast dry time) - A size (8.5 x 11-inches) - 15 sheets per package
C6040A	Premium glossy photo paper - A4 size (21.0cm x 29.7cm) - 15 sheets per package (Europe, Brazil, and Argentina)
C6058A	Premium photographic paper - B size (11 x 17-inches) - 20 sheets
C6059A	Premium photographic paper - A3 size (29.7cm x 42.0cm) - 20 sheets
C6831A	Premium plus glossy InkJet photographic paper - A size (8.5 x 11-inches) - 20 sheets per package
C6832A	Premium plus glossy InkJet photographic paper - A4 size (21.0cm x 29.7cm) - 20 sheets per package
C6950A	Premium Plus matte inkjet photographic paper - A size (8.5 x 11-inches) - 20 sheets per package
C6950AC	Premium Plus matte photographic paper - A size (8.5 x 11-inches) - 20 sheets per package - For Canada only
C6951A	Premium plus matte InkJet photographic paper - A4 size (21.0cm x 29.7cm) - 20 sheets per package
C6979A	Premium glossy photo paper (fast dry time) - A size (8.5 x 11-inches) - 50 sheets per package
C7013A	Colorfast photo paper - A size (8.5 x 11-inches) - 20 sheets per package
C7014A	Colorfast glossy photo paper - A size (8.5 x 11-inches) - 20 sheets
C8310A	Basic Photo Satin paper - 61cm (24in) x 30.5m (100ft) (USA and Asia/Pacific)
Q1420A	Semi-Gloss Photo Paper - 61cm (24in) x 30.5m (100ft)
Q1785A	Photo Paper - A size (8.5 x 11-inches) - 50 sheets



### Paper and Other Media

#### Paper (Semi-Glossy)

C7884A Large format proofing semi-gloss media - 33.0 cm (13in) x 48.3cm (19in)

### Print Mechanism Parts

#### Belt

124 C7791-60233 Carriage belt - Used to move the carriage from side to side

125 C8108-67048 Drive belt for the output mechanism assembly

#### Cam

126 C7791-60232 Pick cam - Located on the left-side of the print mechanism

#### Carriage Kit

127 C7791-60142 Carriage assembly - Includes trialing cable

#### Encoder

128 C7791-60205 Encoder strip - Clear strip with position markers

129 C8108-67051 Paper motor encoder disk - Mounts on the left end of the pivot and feedroller assembly shaft

#### Guide

130 C7791-60202 Inner paper guide - Guides the paper through the paper path

#### Holder

131 C7790-60104 Encoder strip holder - Wire loop that connects to the carriage assembly that is used to hold the encoder strip

132 C7790-60124 Ink tube holder - Holds the ink tubes from the RIDS assembly

#### Ink Delivery System

133 C7791-60129 RIDS assembly - Transports ink from the ink supply station to the printheads

#### Motor

134 C7791-60143 Carriage drive motor - Drives the carriage belt

135 C8108-67038 Paper motor assembly - Powers the drive roller

136 C8108-67040 Ramp motor assembly - Used to operate paper output rollers

#### Pivot

137 C7796-60026 Pivot assembly - Black plastic part under platten - Supports pick roller

#### Platen

138 C7791-60144 Print Platen - Surface that supports paper during printing

139 C7791-60220 Bypass platen assembly

#### Roller Assembly

140 C7791-60200 Pick roller assembly - Picks media from the input paper tray and feeds it through the paper path

141 C7791-60201 Feed roller assembly - Includes encoder disk and paper-axis motor assembly - Feeds media under the carriage assembly

#### Roller Kit

142 C7791-60230 Upper paper guide roller kit (includes 8 rollers) - Helps to guide media through paper path

#### Spring

143 C7790-60125 Belt tensioner spring

#### Starwheel

144 C7791-60245 Starwheel assembly - Provides downward pressure on media as it passes through the feed rollers

#### Turnaround Assembly

145 C7791-60212 Turnaround assembly - Includes belt tensioning spring



## Roll Feed Assembly Parts

### Bracket

146 C7791-60215 Rollfeed support bracket - Used in conjunction with the automatic rollfeed kit

### Cutter

147 C7797-60007 Media cutter assembly

### Rollfeed Assy

148 Q1247-60023 Automatic rollfeed kit

### Spindle

149 C7797-60008 24 inch spindle assembly

## Stand Parts

### Adapter

150 Q1246-60011 Base adaptor kit (includes 2)

### Bin

151 Q1246-60010 Paper bin assembly

### Brace

152 Q1246-60008 X-brace assembly - Connects between both legs

### Foot

153 Q1246-60009 Foot assembly (includes 2)

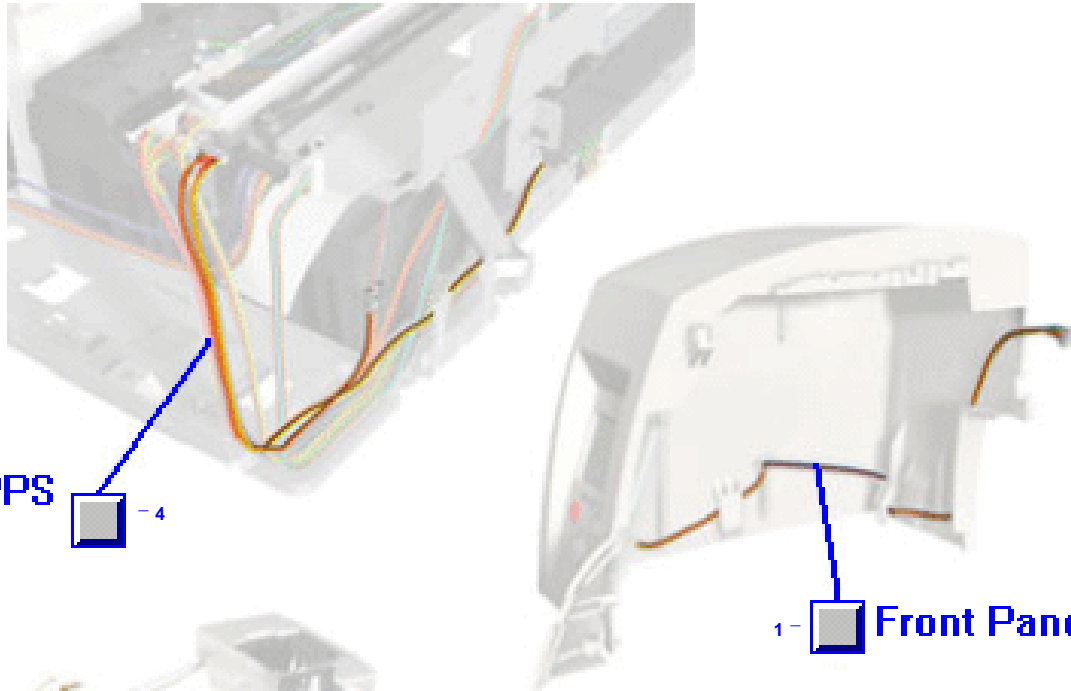
### Leg

154 Q1246-60007 Legs assembly (includes 2)

### Support

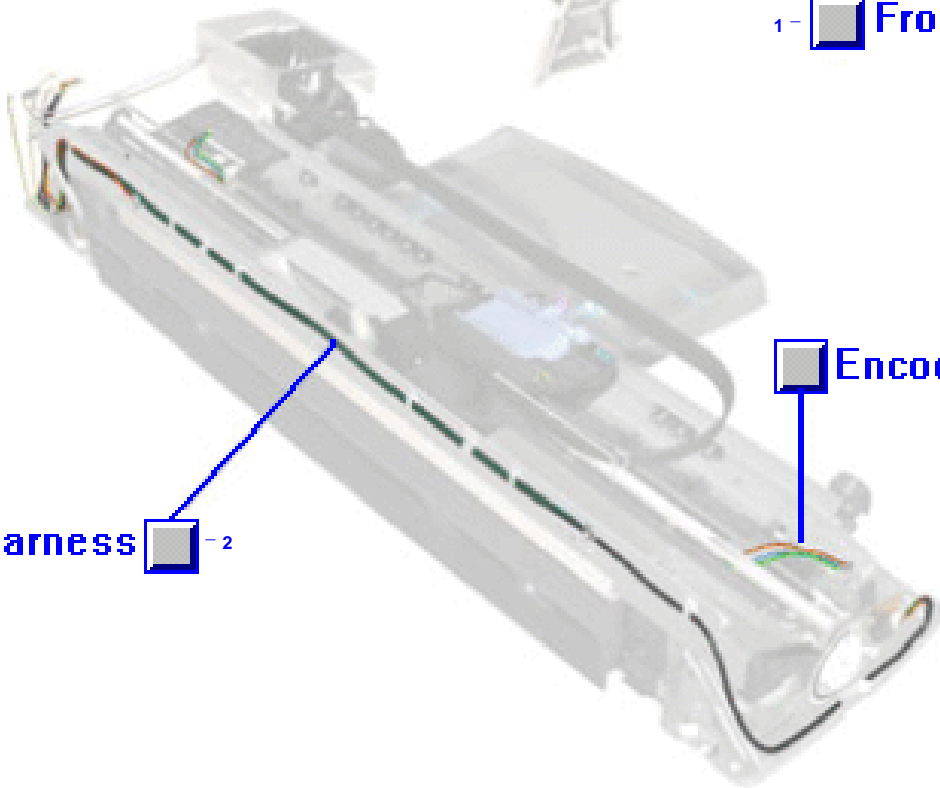
155 Q1246-60012 Input tray support - Used to support the weight of the input paper tray

Cable Harness



**Duplex OPPS  
Harness** -4

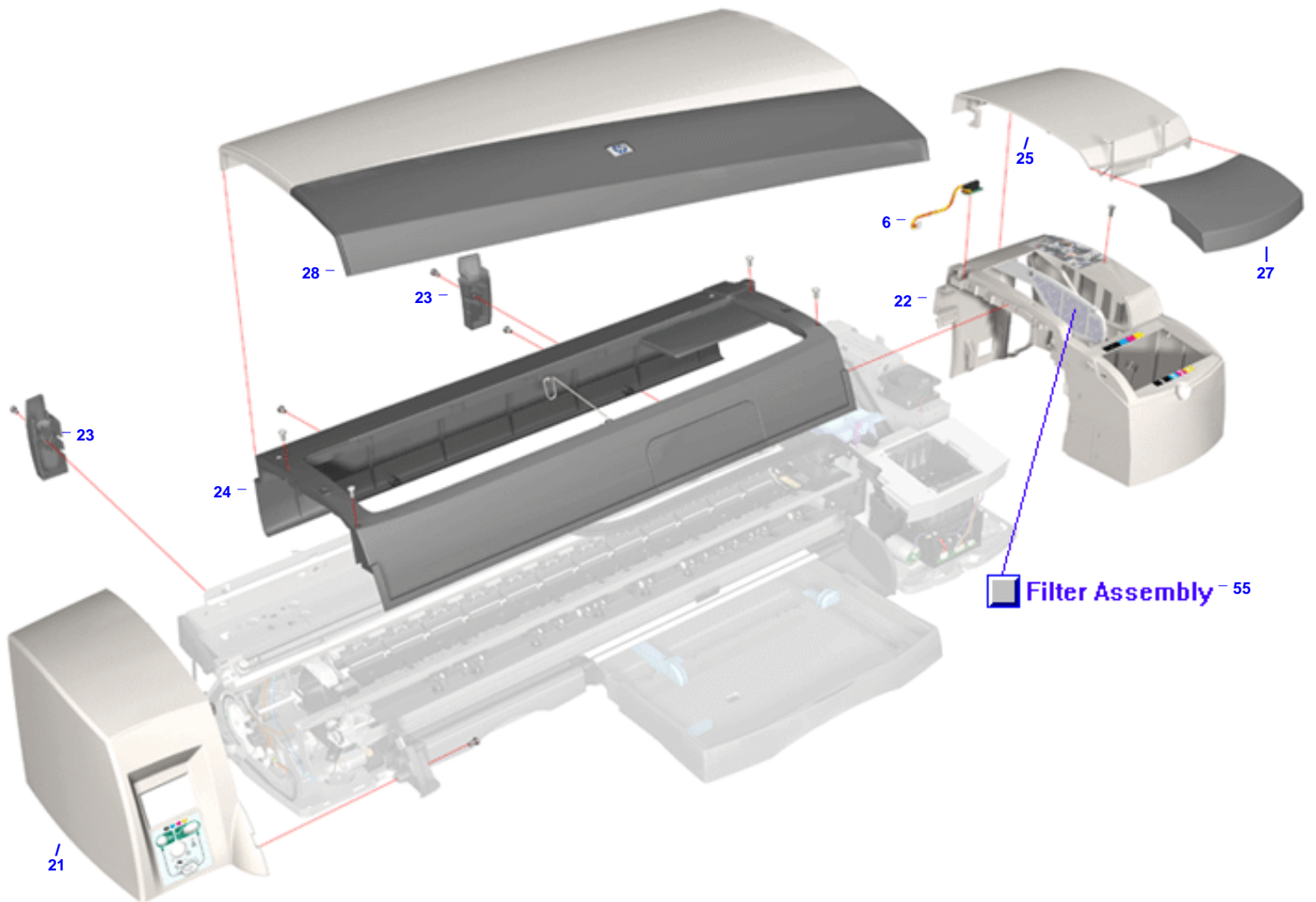
**Front Panel Cable** -1



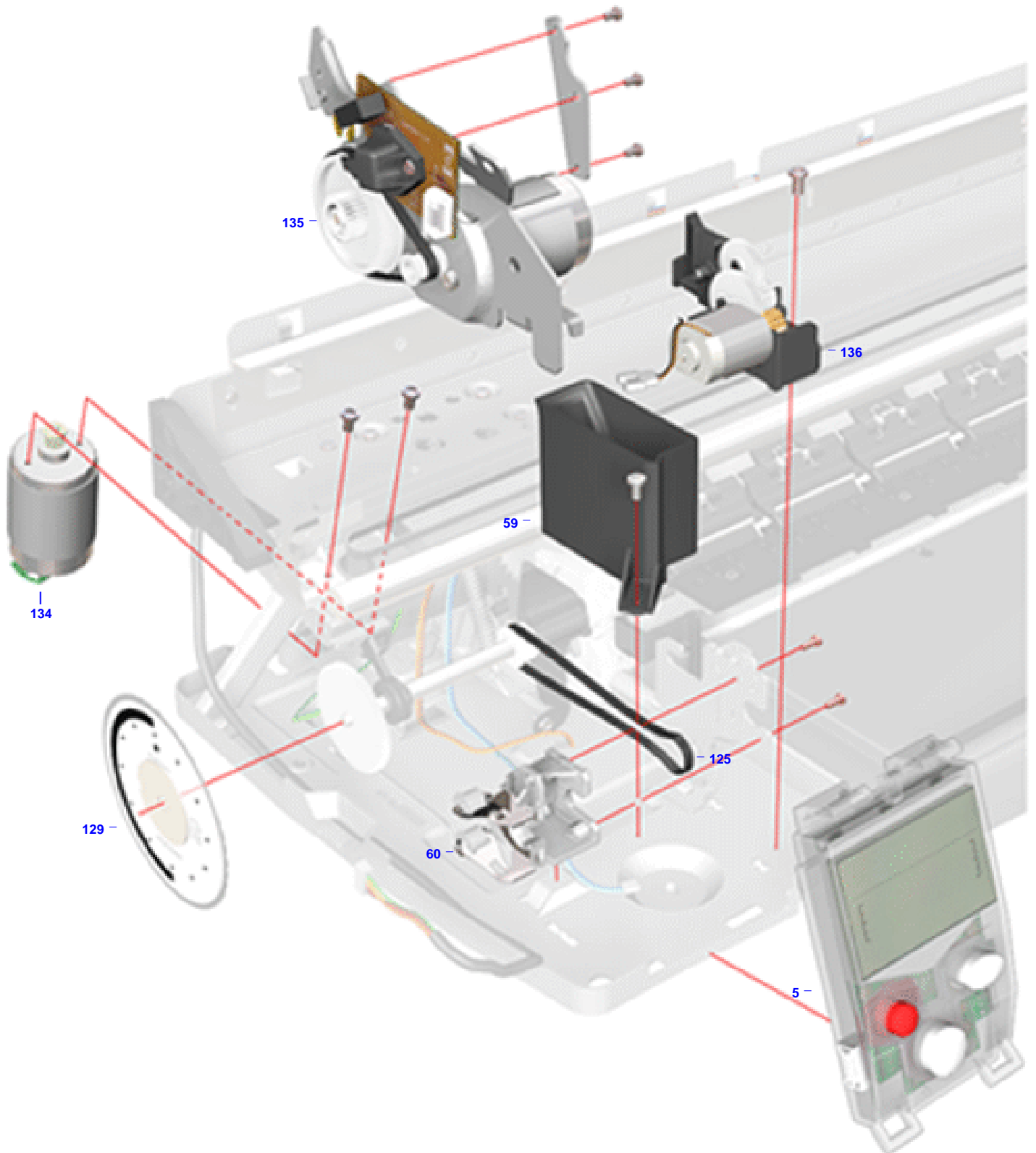
**Motor Harness** -2

**Encoder Harness** -3

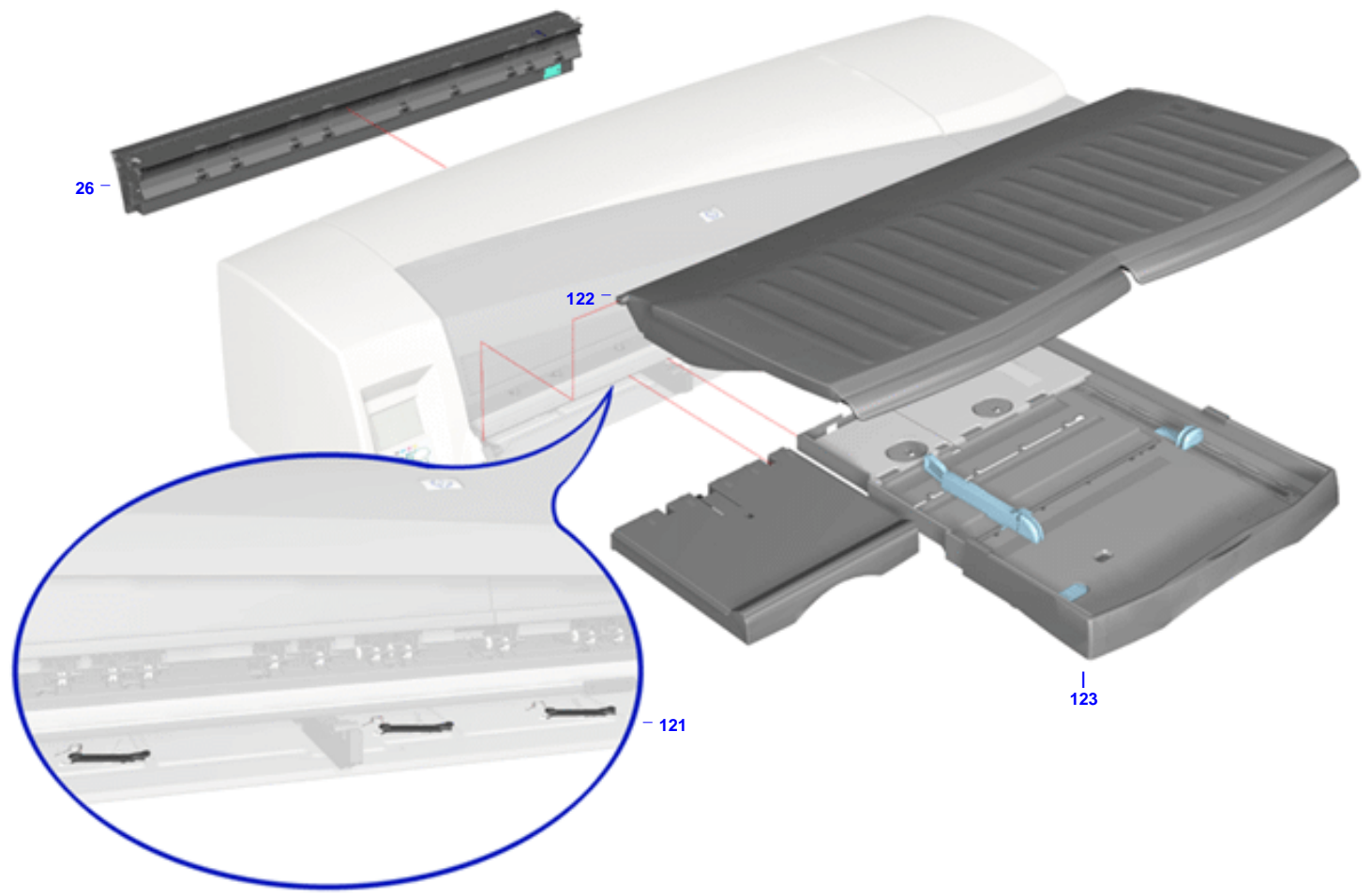
Cover Assemblies



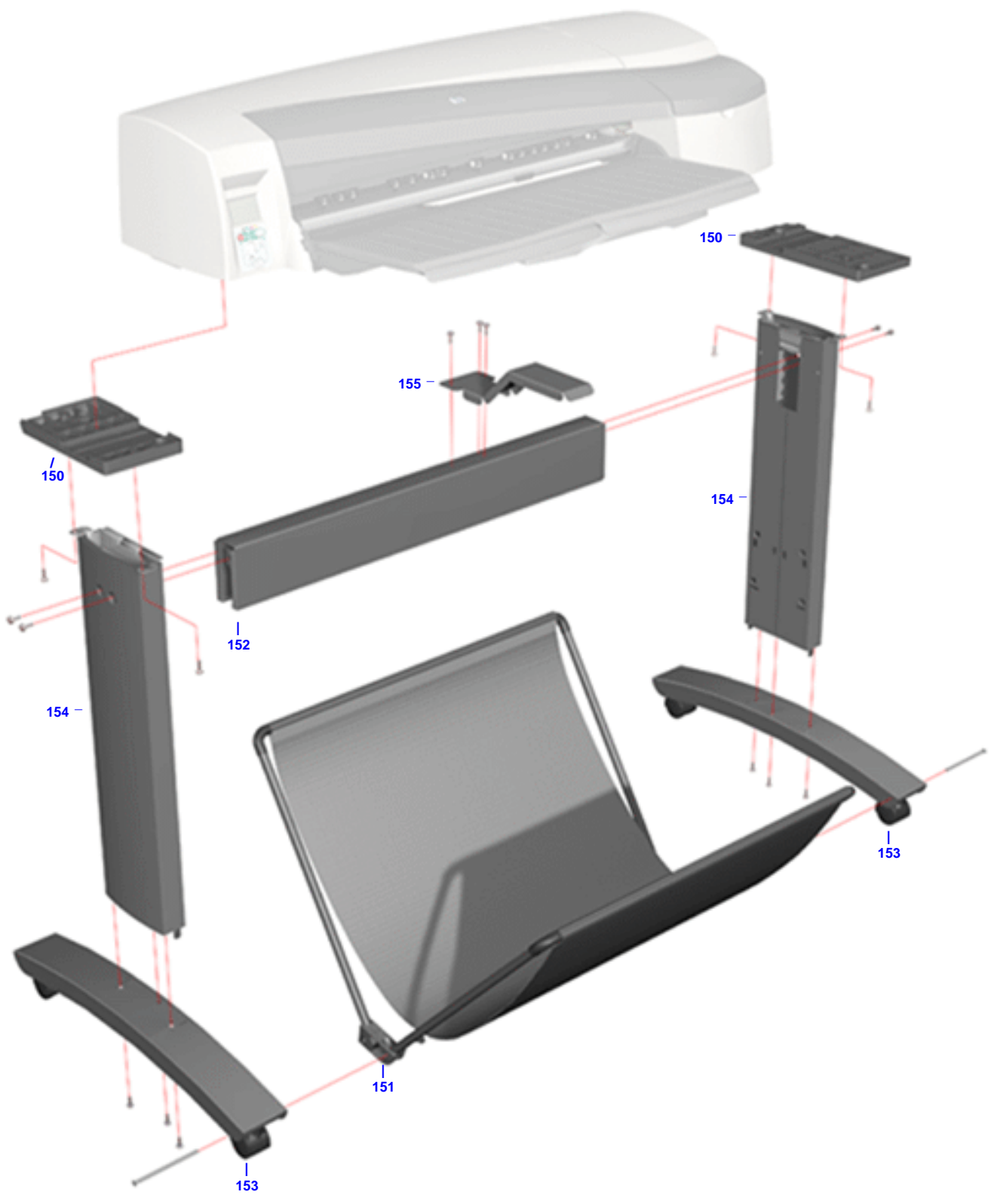
Left-side Assemblies



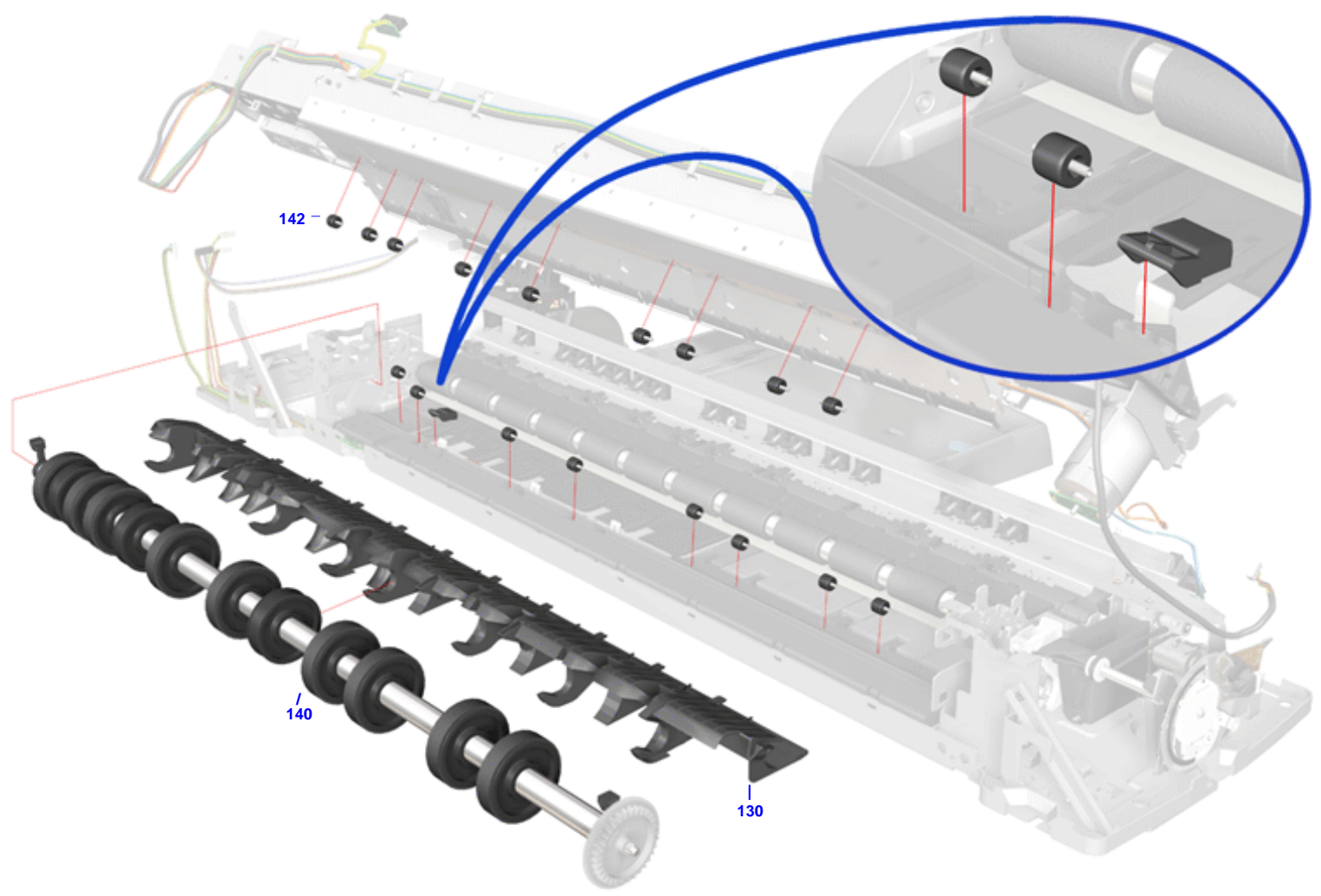
Paper Feed Assemblies



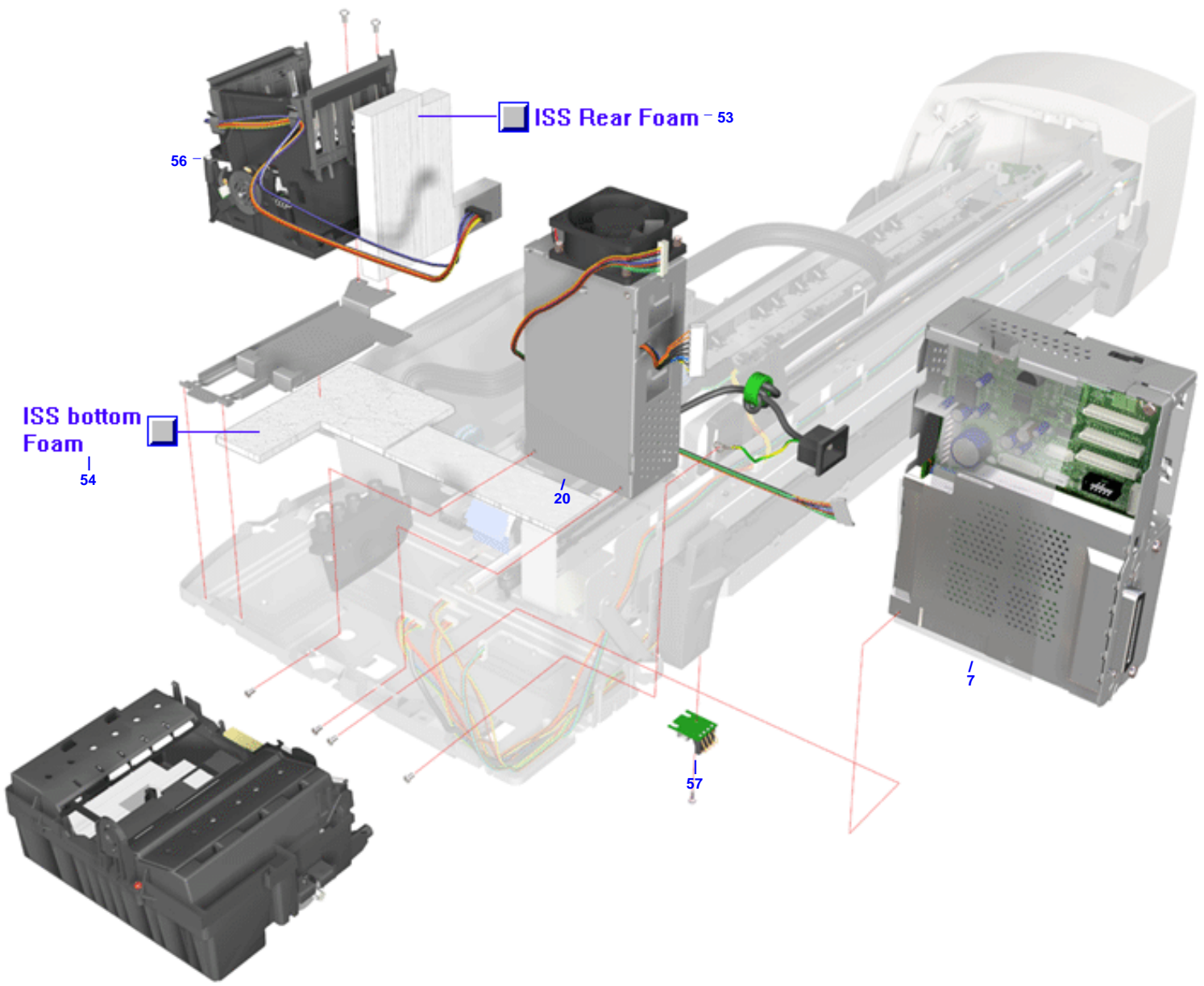
Printer Stand and Paper Bin



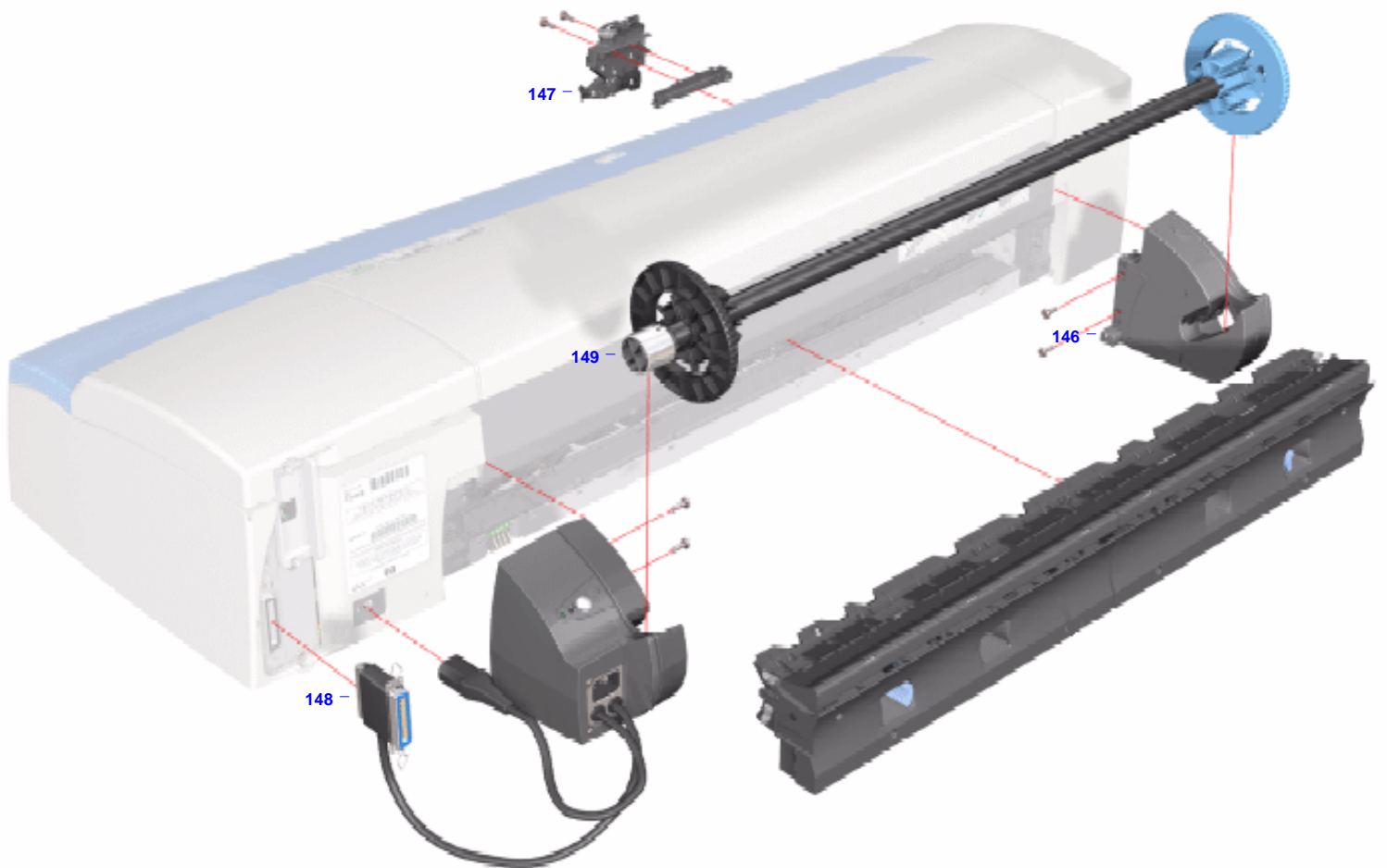
Rear Paper Path Assemblies



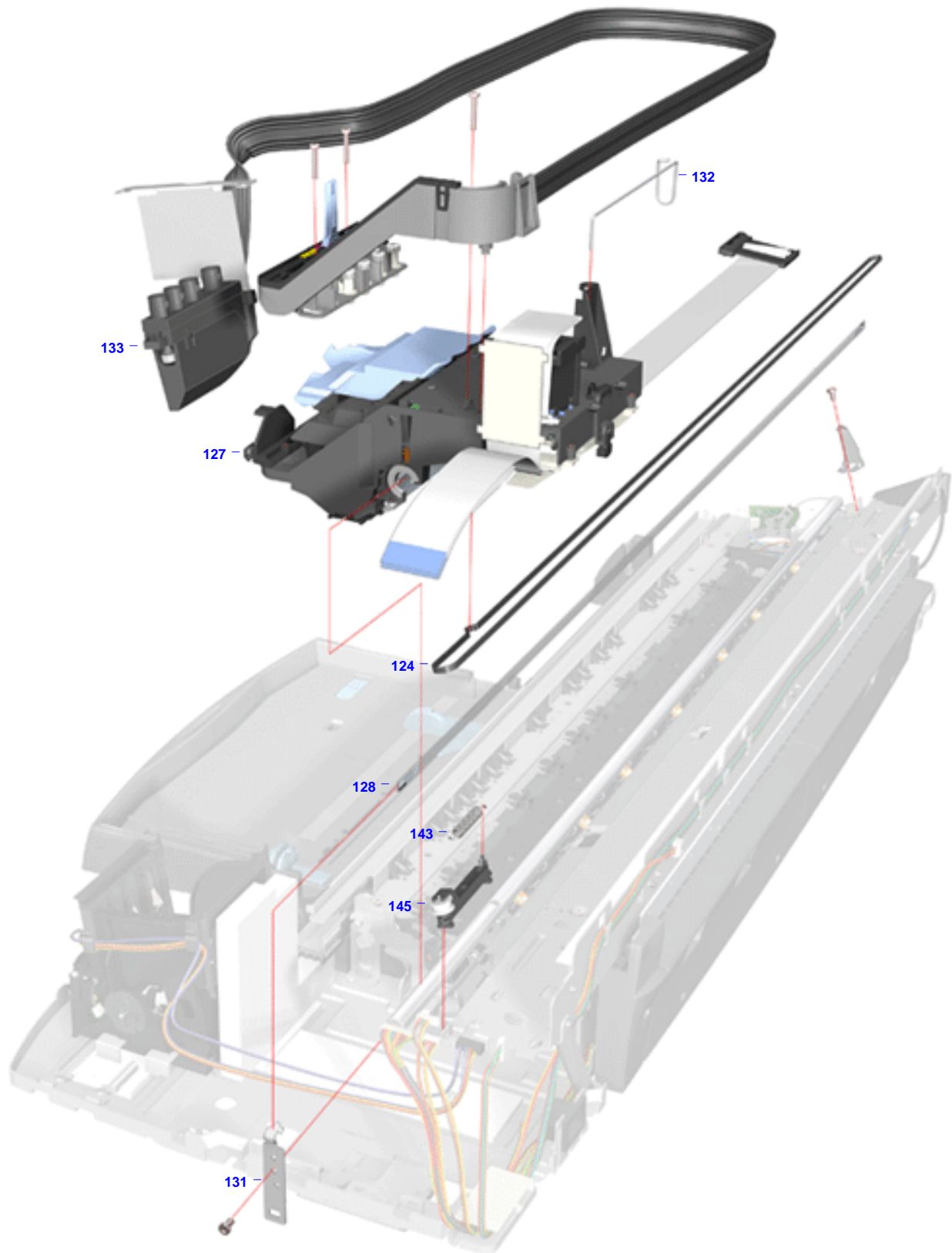
Right-side Assemblies



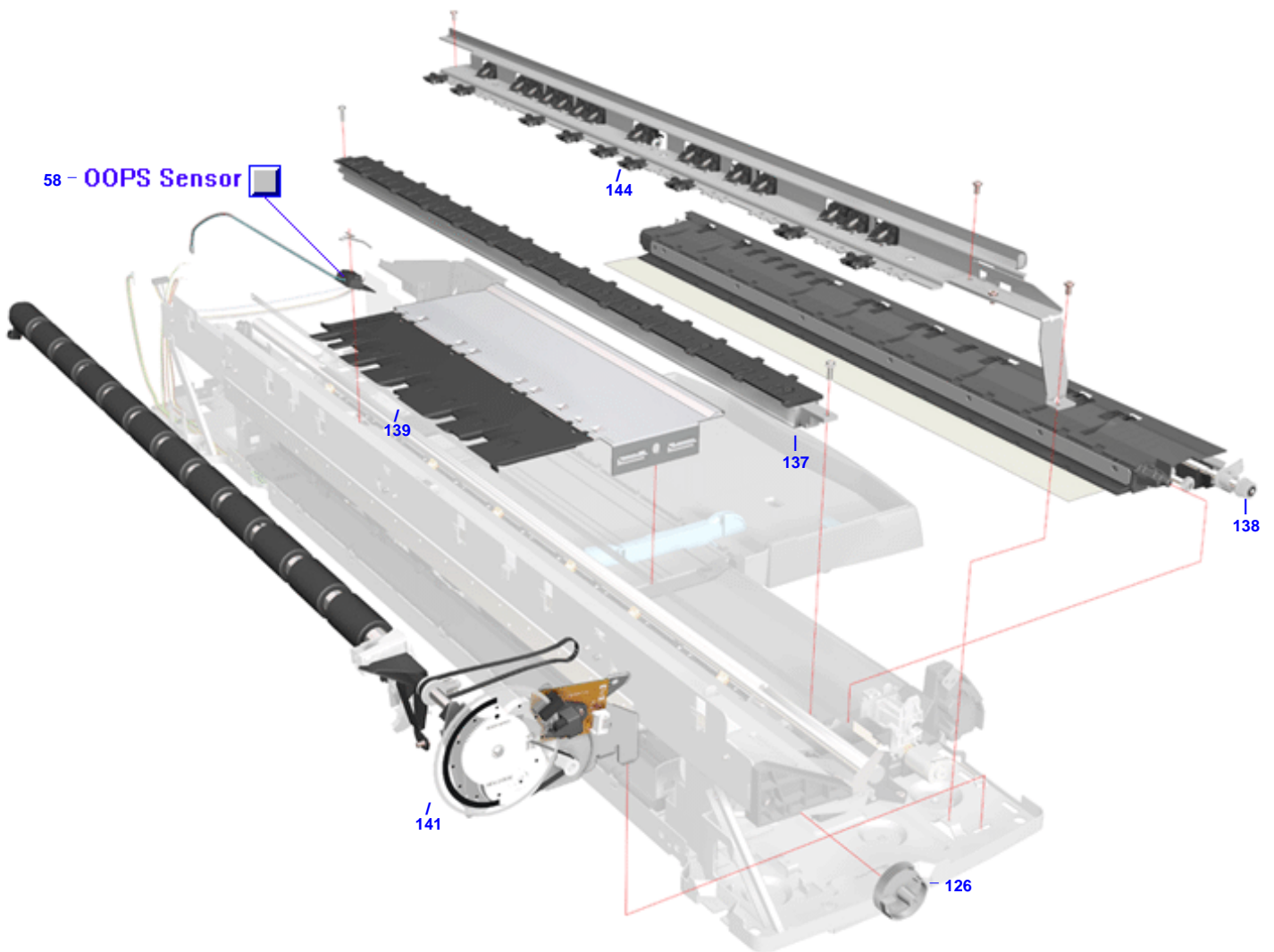
Rollfeed Components



Scan-Axis Assembly



Top Paper Path Assemblies





**HP Parts Reference Guide**

<http://www.hp.com/go/parts>

**HP PartSurfer**

<http://partsurfer.hp.com>

**HP Parts Ordering Information**

<http://www.hp.com/go/hpparts>

**HP Parts Questions/Comments**

<http://partsurfer.hp.com/contactus.htm>