



Carriage/Carriage Drive

Arm

1 C6072-60199 Cutter actuator arm

Belt

2 C6072-60198 Carriage drive belt kit - Includes belt and oil

Bushing

C4704-40084 Rear slider rod bushing (Spring loaded)

Cable

4 C6072-60196 Carriage trailing cable kit - Includes cable, trailing cable clip, nye oil, cover cap, trailing cable ferrite, ferrite holder

Carriage

5 C6072-69147 Carriage assembly kit - Includes carriage, carriage height tool cutter assembly, and line sensor - Does not include cable
REQUIRES RETURN OF DEFECTIVE PART

C6072-60147 *New Part for C6072-69147*

Cutter

6 C6072-60200 Cutter assembly kit - Includes mounting hardware - Installed under carriage assembly

Motor

7 C6072-60148 Carriage motor - Includes pulley

Strip

8 C6072-60197 Encoder strip

Tensioner

9 C6072-60149 Tensioner assembly - Includes pulley assembly, pulley spring, wedge, cutter actuator arm, and tensioner housing

Tool

C6071-60166 Carriage height tool

Electronic Accessories

Cable (Interface)

5063-1256 IEEE-1284 Bi-Tronics parallel cable - DB-25 (M) connector (type A) to 36 pin Centronics (M) connector (type B) - 2.0m (6.6ft) long

5063-1257 IEEE-1284 Bi-Tronics parallel cable - DB-25 (M) connector (type A) to 36 pin Centronics (M) connector (type B) - 3.0m (9.8ft) long

C2950A IEEE-1284 Bi-Tronics parallel cable - DB-25 (M) connector (type A) to 36 pin Centronics (M) connector (type B) - 2.0m (6.6ft) long

5063-1256 *New Part for C2950A*

C2951A IEEE-1284 Bi-Tronics parallel cable - DB-25 (M) connector (type A) to 36 pin Centronics (M) connector (type B) - 3.0m (9.8ft) long

Drive

15 C6074-69281 7.5GB hard disk drive - Includes the HDD, cables, and HDD bridge
REQUIRES RETURN OF DEFECTIVE PART

C6074-60281 *New Part for C6074-69281*

Interface (Product)

16 J3264A External JetDirect 500X token ring interface module - Interfaces up to 3 parallel printers to a token ring (DB-9 or RJ-45) LAN

17 J3265A External JetDirect 500X LAN interface module - Interfaces up to 3 parallel printers to an ethernet 10Base-T (RJ-45), 10Base2 (BNC), or 100Base-TX (RJ-45) LAN

18 J4169A JetDirect 610N internal print server (10Base-T and 100Base-TX) LAN interface board - Plugs into peripheral EIO slot - Has a RJ-45 connector - Comes with software on CD-ROM and manual

Memory (Product)

19 Q1282A 64MB SDRAM DIMM memory for the DesignJet 1000 Plus series

20 Q1283A 128MB SDRAM DIMM memory for the DesignJet 1000 Plus series



Electronic Accessories

Module (Product)

J4101B External JetDirect LAN interface module with EtherTwist (10Base-T/Base-TX) connector

PC Board (Interface)

J4169-69001 JetDirect 610N internal print server 10Base-T and 100Base-T LAN interface board - Has one RJ-45 connector

J6057-69001 *New Part for J4169-69001*

Electronics/Power Supply

Drive

23 C6074-69281 7.5GB hard disk drive - Includes the HDD, cables, and HDD bridge
REQUIRES RETURN OF DEFECTIVE PART

C6074-60281 *New Part for C6074-69281*

Drop Detector

24 C6072-60179 Drop detector assembly - Includes spittoon foam - Installed in service station assembly

Fan

25 C6072-60159 Vacuum/aerosol fan assembly - Installed on right side of printer chassis

Firmware

26 C6075-60262 Firmware DIMM (Revision A.02.05)

Front Panel

27 C6072-60175 Front panel assembly - Includes front panel cable

Memory (DIMM)

28 C6074-60288 64MB SDRAM DIMM memory module

29 C6074-60289 128MB SDRAM DIMM memory module

Module

30 C6074-60285 Electronics module base - Includes cooling fan

PC Board

C6074-60284 ISS PC board

C6074-69283 Main logic PC board
REQUIRES RETURN OF DEFECTIVE PART

C6074-60283 *New Part for C6074-69283*

Power Cord

8120-0698 Power cord (Black) - 18 AWG, 2.3m (7.5ft) long - Has straight (F) receptacle (For 220V/240V in the USA and Canada)

8120-1378 Power cord (Jade Gray) - 18 AWG, 2.3m (7.5ft) long - Has straight (F) receptacle (For 120V in USA, Canada, Latin America, Korea, Taiwan, Thailand, Spain, Brazil, and Vietnam)

Power Supply

C6074-60282 Power supply unit

Sensor

36 C6072-60190 Media sensor

External Case Parts

Bracket

37 C6072-60188 Rear cover mounting bracket kit - Includes left and right brackets

Cover

38 C6072-60165 Right cover - Includes front panel cable - Does not include front panel assembly or aerosol fan

39 C6072-60167 Left cover - Covers the ink tube system and has a door to access the ink cartridges

40 C6072-60168 Top cover - Covers the top of the print mechanism (Not the window)

41 C6072-60169 Back cover - Includes blank serial number label

42 C6072-60170 Back EMC cover



External Case Parts

Cover

- 43 C6072-60171 Left rear cover kit - Covers electronics module near the DIMM cover - Includes ferrite and clip
- C6072-60176 DIMM cover - Covers the DIMM sockets in the electronics module
- C6072-60177 EIO cover - Used when an EIO slot is empty
- C6074-60280 Electronics module cover
- 47 C6074-60286 Right rear electronics module cover

Deflector

- 48 C6071-60148 Tail deflectors

Holder

- C6071-60154 Quick reference guide holder

Label

- 50 C4704-00119 Adobe PostScript label

Nameplate/Logo

- 51 C6075-00017 Nameplate - DesignJet 1055CM Plus

Overlay

- 52 C6074-60241 Front panel overlay (English)
- 53 C6074-60242 Front panel overlay (Korean)
- 54 C6074-60243 Front panel overlay (Taiwanese)
- 55 C6074-60244 Front panel overlay (German)
- 56 C6074-60245 Front panel overlay (French)
- 57 C6074-60246 Front panel overlay (Spanish)
- 58 C6074-60247 Front panel overlay (Italian)
- 59 C6074-60248 Front panel overlay (Japanese)
- 60 C6074-60249 Front panel overlay (Portuguese)
- 61 C6074-60250 Front panel overlay (Chinese)

Platen

- 62 C6072-60186 Rear Platen

Window

- 63 C6072-60164 Lift-up viewing window

Other Accessories

CD-ROM (Support)

- C7769-90066 DesignJet support CD ROM - Version A.04.01 - Has product information, user's manuals, service manuals, diagnostic software, test drawings, newsletters, and service notes

Cartridge

- C4872-80126 No.80 standard capacity cyan ink cartridge (175ml ink)
- C4872A No.80 standard capacity cyan ink cartridge (175ml ink)
- C4873-80128 No.80 standard capacity yellow ink cartridge (175ml ink)
- C4873A No.80 standard capacity yellow ink cartridge (175ml ink)
- C4874-80127 No.80 standard capacity magenta ink cartridge (175ml ink)
- C4874A No.80 standard capacity magenta ink cartridge (175ml ink)
- C4846-80131 No.80 high capacity (350ml ink) cyan ink cartridge
- C4846A No.80 high capacity cyan ink cartridge (350ml ink)
- C4847-80132 No.80 high capacity magenta ink cartridge (350ml ink)
- C4847A No.80 high capacity magenta ink cartridge (350ml ink)
- C4848-80134 No.80 high capacity yellow ink cartridge (350ml ink)



Other Accessories

Cartridge

C4848A	No.80 high capacity yellow ink cartridge (350ml ink)
C4871-80125	No.80 high capacity black ink cartridge (350ml ink) - Same as C4871A
C4871A	No.80 high capacity black ink cartridge (350ml ink)

Deflector

C6079-60019	Media deflector - Rod used when optional take-up reel is installed
-------------	--

Ink System Return Kt

C4820-80100	Ink system return kit (Box and instructions) - For returning printheads, printhead cleaner, and ink cartridges under the CREW program
-------------	---

Ink and Printhead

C4890A	No.80 high capacity black ink cartridge, printhead, and printhead cleaner bundl (350ml ink)
C4891A	No.80 high capacity cyan ink cartridge, printhead, and printhead cleaner bundle (350ml ink)
C4892A	No.80 high capacity magenta ink cartridge, printhead, and printhead cleaner bundle (350ml ink)
C4893A	No.80 high capacity yellow ink cartridge, printhead, and printhead cleaner bundle (350ml ink)

Kit

C6072-60143	Maintenance Kit - Includes setup printheads, trailing cable, ISS housing foam, rubber gloves, oil applicator, carriage motor, drop detector, carriage assembly, drive belt, ink tube system, tensioner assembly, carriage height tool, & trailing cable clip
-------------	--

Lubricant

6040-0854	Synthetic Oil (1/2oz Plastic Bottle - for lubricating the front and rear slider rods)
6040-0855	Synthetic oil - 4oz (113g) plastic bottle
C3190-60155	Grease - For helical gear (Drive roller gear)
C6071-60177	Oil applicator - Contains synthetic oil
C6072-60047	Overdrive oil kit

Manual

5959-9734	Comparison guide for HP-GL/2 and RTL peripherals (English)
C6071-90101	DesignJet 1050C and 1055CM users guide (English)
C6071-90102	DesignJet 1050C and 1055CM users guide (Korean)
C6071-90103	DesignJet 1050C and 1055CM users guide (Taiwanese)
C6071-90104	DesignJet 1050C and 1055CM users guide (German)
C6071-90105	DesignJet 1050C and 1055CM users guide (French)
C6071-90106	DesignJet 1050C and 1055CM users guide (Spanish)
C6071-90107	DesignJet 1050C and 1055CM users guide (Italian)
C6071-90108	DesignJet 1050C and 1055CM users guide (Japanese)
C6071-90109	DesignJet 1050C and 1055CM users guide (Portuguese)
C6071-90110	DesignJet 1050C and 1055CM users guide (Chinese)
C6071-90111	DesignJet 1050C and 1055CM users guide (Czech)
C6071-90112	DesignJet 1050C and 1055CM users guide (Greek)
C6071-90113	DesignJet 1050C and 1055CM users guide (Hungarian)
C6071-90114	DesignJet 1050C and 1055CM users guide (Polish)
C6071-90115	DesignJet 1050C and 1055CM users guide (Russian)
C6071-90117	DesignJet 1050C and 1055CM users guide (Turkish)
C6079-90001	C6079A take-up reel users guide (English)
C6079-90002	C6079A take-up reel users guide (Korean)
C6079-90003	C6079A take-up reel users guide (Taiwanese)



Other Accessories

Manual

C6079-90004	C6079A take-up reel users guide (German)
C6079-90005	C6079A take-up reel users guide (French)
C6079-90006	C6079A take-up reel users guide (Spanish)
C6079-90007	C6079A take-up reel users guide - No longer available - See the DesignJet 1050C and 1055CM user's guide (Italian) NO LONGER SUPPLIED
<i>C6071-90117</i>	<i>New Part for C6079-90007</i>
C6079-90008	C6079A take-up reel users guide (Japanese)
C6079-90009	C6079A take-up reel users guide (Portuguese)
C6079-90010	C6079A take-up reel users guide (Chinese)
C6079-90011	C6079A take-up reel users guide (Czechoslovakian)
C6079-90012	C6079A take-up reel users guide (Greek)
C6079-90013	C6079A take-up reel users guide (Hungarian)
C6079-90014	C6079A take-up reel users guide (Polish)
C6079-90015	C6079A take-up reel users guide (Russian)
C6079-90017	C6079A take-up reel users guide (Turkish)
C6071-90241	DesignJet 1050C and 1055CM quick reference guide (English)
C6071-90000	DesignJet 1050C and 1055CM service manual (English)
C6071-60341	DesignJet 1050C/1055CM documentation CD-ROM (English) - Contains on-screen movies and users documentation
C6071-60344	DesignJet 1050C/1055CM documentation CD-ROM (German) - Contains on-screen movies and users documentation
C6071-60345	DesignJet 1050C/1055CM documentation CD-ROM (French) - Contains on-screen movies and users documentation
C6071-60346	DesignJet 1050C/1055CM documentation CD-ROM (Spanish) - Contains on-screen movies and users documentation
C6071-60347	DesignJet 1050C/1055CM documentation CD-ROM (Italian) - Contains on-screen movies and users documentation
C6071-60349	DesignJet 1050C/1055CM documentation CD-ROM (Portuguese) - Contains on-screen movies and users documentation

Manual Kit

C6071-60241	Manual kit - Includes setup guide, quick reference guide, and assembly instructions (English)
C6071-60242	Manual kit - Includes setup guide, quick reference guide, and assembly instructions (Korean)
C6071-60243	Manual kit - Includes setup guide, quick reference guide, and assembly instructions (Taiwan)
C6071-60244	Manual kit - Includes setup guide, quick reference guide, and assembly instructions (German)
C6071-60245	Manual kit - Includes setup guide, quick reference guide, and assembly instructions (French)
C6071-60246	Manual kit - Includes setup guide, quick reference guide, and assembly instructions (Spanish)
C6071-60247	Manual kit - Includes setup guide, quick reference guide, and assembly instructions (Italian)
C6071-60249	Manual kit - Includes setup guide, quick reference guide, and assembly instructions (Portuguese)
C6071-60250	Manual kit - Includes setup guide, quick reference guide, and assembly instructions (Chinese)
C6072-60368	Manual kit - Includes setup guide, quick reference guide, and assembly instructions (Japanese)

Mount

C6079-60017	Left take-up reel spindle mount assembly
C6079-60018	Right take-up reel spindle mount assembly

Printhead

C6071-60167	Setup Printheads - Used to remove air and prime the ink system (4 used)
-------------	---

Printhead Kit

C4820-80034	No.80 black printhead and printhead cleaner bundle
C4820A	No.80 black printhead and printhead cleaner bundle
C4821-80011	No.80 cyan printhead and printhead cleaner bundle



Other Accessories

Printhead Kit

- C4821A No.80 cyan printhead and printhead cleaner bundle
- C4822-80009 No.80 magenta printhead and printhead cleaner bundle
- C4822A No.80 magenta printhead and printhead cleaner bundle
- C4823-80014 No.80 yellow printhead and printhead cleaner bundle
- C4823A No.80 yellow printhead and printhead cleaner bundle

Sensor

- C6079-60016 Sensor assembly for take-up reel

Software

- C6072-60281 Toolbox and driver software - HP-GL/2 and RTL drivers for Windows 3.1/95/98/NT 4.0 (all DesignJets), and toolbox software for Windows 95/NT 4.0 (Only for DesignJet 430/450C/455CA/1050C/1055CM) - On 3.5-inch 1.44MB floppy disks (English)
- C6072-60284 Toolbox and driver software - HP-GL/2 and RTL drivers for Windows 3.1/95/98/NT 4.0 (all DesignJets), and toolbox software for Windows 95/NT 4.0 (Only for DesignJet 430/450C/455CA/1050C/1055CM) - On 3.5-inch 1.44MB floppy disks (German)
- C6072-60285 Toolbox and driver software - HP-GL/2 and RTL drivers for Windows 3.1/95/98/NT 4.0 (all DesignJets), and toolbox software for Windows 95/NT 4.0 (Only for DesignJet 430/450C/455CA/1050C/1055CM) - On 3.5-inch 1.44MB floppy disks (French)
- C6072-60286 Toolbox and driver software - HP-GL/2 and RTL drivers for Windows 3.1/95/98/NT 4.0 (all DesignJets), and toolbox software for Windows 95/NT 4.0 (Only for DesignJet 430/450C/455CA/1050C/1055CM) - On 3.5-inch 1.44MB floppy disks (Spanish)
- C6072-60287 Toolbox and driver software - HP-GL/2 and RTL drivers for Windows 3.1/95/98/NT 4.0 (all DesignJets), and toolbox software for Windows 95/NT 4.0 (Only for DesignJet 430/450C/455CA/1050C/1055CM) - On 3.5-inch 1.44MB floppy disks (Italian)
- C6072-60301 HP-GL/2 driver software for AutoCAD - For DOS and Windows 3.1/95/NT 4.0 - On 3.5-inch 1.44MB floppy disks (English)
- C6072-60304 HP-GL/2 driver software for AutoCAD - For DOS and Windows 3.1/95/NT 4.0 - On 3.5-inch 1.44MB floppy disks (German)
- C6072-60305 HP-GL/2 driver software for AutoCAD - For DOS and Windows 3.1/95/NT 4.0 - On 3.5-inch 1.44MB floppy disks (French)
- C6072-60306 HP-GL/2 driver software for AutoCAD - For DOS and Windows 3.1/95/NT 4.0 - On 3.5-inch 1.44MB floppy disks (Spanish)
- C6072-60307 HP-GL/2 driver software for AutoCAD - For DOS and Windows 3.1/95/NT 4.0 - On 3.5-inch 1.44MB floppy disks (Italian)
- C6075-60201 DesignJet 1050C/1055CM PostScript driver software CD-ROM - For Windows 95/98/NT 4.0 and Apple/Macintosh - PostScript upgrade MUST be installed in 1050C first - Multilingual
- C6071-60368 ZEHRaster software for UNIX - Allows TIFF and JPEG printing on DesignJet 700 series, 1000 series, and CP series (Japanese)
- C7779-60040 ZEHRaster software for UNIX - Allows TIFF and JPEG printing on DesignJet 700 series, 1000 series, and CP series (Chinese)
- C7779-60041 ZEHRaster software for UNIX - Allows TIFF and JPEG printing on DesignJet 700 series, 1000 series, and CP series (English)
- C7779-60042 ZEHRaster software for UNIX - Allows TIFF and JPEG printing on DesignJet 700 series, 1000 series, and CP series (Korean)
- C7779-60043 ZEHRaster software for UNIX - Allows TIFF and JPEG printing on DesignJet 700 series, 1000 series, and CP series (Taiwanese)
- C7779-60044 ZEHRaster software for UNIX - Allows TIFF and JPEG printing on DesignJet 700 series, 1000 series, and CP series (German)
- C7779-60045 ZEHRaster software for UNIX - Allows TIFF and JPEG printing on DesignJet 700 series, 1000 series, and CP series (French)
- C7779-60046 ZEHRaster software for UNIX - Allows TIFF and JPEG printing on DesignJet 700 series, 1000 series, and CP series (Spanish)
- C7779-60047 ZEHRaster software for UNIX - Allows TIFF and JPEG printing on DesignJet 700 series, 1000 series, and CP series (Italian)



Other Accessories

Spindle Kit

C6078A E/A0 Spindle kit for DesignJet 1000 series printer

Take-Up Reel

C6079A Take-up reel kit for HP DesignJet 1000 Series - Allows printed media to be automatically rolled while printing - Includes spindle, spindle drive, media deflector, and documentation

Tool

C6071-60153 Carriage interconnect wiper (flex cleaner) - Handheld tool used to clean the electrical contacts for the printheads

Other Internal Parts

Air Pressure System

177 C6072-60016 Air pressurization system (APS) - Includes pump, valve, pressure sensor, and APS housing

Cleaner

178 C4820-60015 Black printhead cleaner

179 C4821-60005 Cyan printhead cleaner

180 C4822-60059 Magenta printhead cleaner

181 C4823-60003 Yellow printhead cleaner

Drop Detector

182 C6072-60179 Drop detector assembly - Includes spittoon foam - Installed in service station assembly

Fan

183 C6072-60159 Vacuum/aerosol fan assembly - Installed on right side of printer chassis

Guide

184 C6072-60189 Center guide and media sensor

185 C6072-60194 Front guide assembly

186 C6072-60195 Tube guide assembly

Ink Supply Station

187 C6072-60015 Ink Supply Station (ISS) - Has 4 slots for ink cartridges

Ink Tube System

188 C6074-60342 Ink Tube System - Includes setup printheads, ink collector, carrier clip, nye oil, ink supply station housing foam

Leak Detector

C6071-60168 Ink leak detector system (LDS) - Includes ink collector, leak sense cable, leak sense cable clip

Printhead

C6071-60167 Setup Printheads - Used to remove air and prime the ink system (4 used)

Sensor

191 C6072-60190 Media sensor

Service Station

192 C6072-60178 Service station assembly - Includes drop detector assembly

Support

193 C6072-60192 Left arc assembly

194 C6072-60193 Right arc assembly

Trim

195 C6072-60173 Left trim - On the left arc

196 C6072-60174 Right trim - On the right arc



Paper Drive Parts

ARSS Assembly

330 C6072-60150 Automatic roll sheet switch (ARSS) assembly - Small, long roller and housing - Used to feed cut sheet media

ARSS Parts Kit

331 C6071-60155 Automatic roll sheet switch (ARSS) parts kit - ARSS torsion spring, ARSS axle gear, ARSS switch lever

Clutch

332 C6072-60151 Clutch assembly - Includes lever, 2 gears, a spring, and the shaft that they ride on

Guide

333 C6072-60163 Drive roller guide - Includes drive roller guide and media guide strip

Handle

334 C6072-60152 Handle for automatic roll sheet switch (ARSS) assembly

Motor

335 C6072-60160 Paper drive motor - Includes helical drive gear and mounting bracket - Installed on Right Side of Printer Chassis

Pinch Assembly

336 C6072-60009 Pinch Assembly - Includes pinch cam, pinch rollers, springs

Platen

337 C6072-60161 Center Platen Assembly - Includes overdrive rollers and screws

338 C6072-60162 Front Platen Assembly - Long, curved item without rollers - Includes platen and screws

Roll Feed Brake

339 C6072-60156 Right roll feed brake - Installed in right roll feed module

340 C6072-60157 Left roll feed brake - Installed in left roll feed module

Roll Feed Module

341 C6072-60155 Right roll feed module

342 C6072-60158 Left roll feed module

Roller

343 C6072-60154 Entry roller - Large, long roller at front of printer

344 C6072-60191 Paper drive roller assembly - Includes drive roller, roller gear, and roller bracket

Spindle

345 C6072-60126 E/A0 rollfeed spindle assembly - Includes end caps

Strip

346 C6072-60391 Media guide strip

Paper and Other Media

Canvas

C6771A Studio canvas (368 gsm) - 91.4cm (36in) x 10.7m (35ft) roll - For regular ink or UV resistant ink

C7966A Canvas with Matte finish - 61cm (24in) x 10.7m (35ft) (USA)

C7967A Canvas with Matte finish - 91.4cm (36in) x 10.7m (35ft) (USA)

Q1696A Canvas Matte - 137.2cm (54in) x 10.7m (35ft) (USA)

Q1718A Canvas Paper (140 gsm) - 91.4cm (36in) x 10.7m (35ft) (USA)

Q1724A Canvas Paper (180 gsm) - 91.4cm (36in) x 10.7m (35ft) (USA)

Film (Clear)

C3876A Clear film (4 mil) - 61cm (24in) x 22.9m (75ft) roll

C3875A Clear film (4 mil) - 91.4cm (36in) x 22.9m (75ft) roll

Film (Cling)

Q1914A Two View Cling film - 91.4cm (36in) x 22.9m (75ft)

Q1915A Two View Cling film - 106.7cm (42in) x 22.9m (75ft)



Paper and Other Media

Film (Glossy)

C6794A	Durable Imaging Glossy UV media - For UV ink only - 91.4cm (36in) x 30.5m (100ft) roll
Q1973A	Premium High-gloss Film - A size (8.5 x 11-inches) - 20 sheets
Q1981A	Premium High-gloss Film - A4 size (21.0cm x 29.7cm) - 20 sheets (Europe)

Film (Matte)

C7909A	Double Matte Eraseable Film - 61cm (24in) x 38.1m (125ft) (USA)
C7910A	Double Matte Eraseable Film - 76.2cm (30in) x 38.1m (125ft) (USA)
C7911A	Double Matte Eraseable Film - 91.4cm (36in) x 38.1m (125ft) (USA)
Q1736A	Polyester Film White Matte - 91.4cm (36in) x 15.2m (50ft) (USA)
51642A	Polyester matte film - 61cm (24in) x 36.6m (120ft) roll
51642B	Polyester matte film - 91.4cm (36in) x 36.6m (120ft) roll

Film (Opaque)

C7955A	Opaque White Glossy Polyester Film - 61cm (24in) x 15.2m (50ft) (USA)
C7956A	Opaque White Glossy Film - 91.4cm (36in) x 15.2m (50ft) (USA)

Film (Transparency)

C3832A	Premium InkJet transparency film - A4 size (21.0cm x 29.7cm) - 20 sheets per package
C3835A	Premium InkJet transparency film - A4 size (21.0cm x 29.7cm) - 50 sheets per package
C6053A	Premium InkJet rapid-dry transparencies - A4 size (21.0cm x 29.7cm) - 50 sheets per package NO LONGER SUPPLIED
C3828A	Premium InkJet transparency film - A size (8.5 x 11-inches) - 20 sheets per package
C3834A	Premium InkJet transparency film - A size (8.5 x 11-inches) - 50 sheets per package
C6051A	Premium InkJet rapid-dry transparencies - A size (8.5 x 11-inches) - 50 sheets per package NO LONGER SUPPLIED

Paper

C7919A	Basic bond paper - 61cm (24in) x 45.7m (150ft)
C7921A	Basic bond paper - 91.4cm (36in) x 45.7m (150ft)
C7922A	Basic Bond paper - 106.7cm (42in) x 45.7m (150ft)
C7923A	Basic Heavyweight Paper - 61cm (24in) x 30.5m (100ft) (USA and Asia/Pacific)
C7924A	Basic Heavyweight Paper - 91.4cm (36in) x 30.5m (100ft) (USA and Asia/Pacific)
C7929A	Super Heavyweight Paper - 61cm (24in) x 22.9m (75ft) (USA and Asia/Pacific)
C7930A	Super Heavyweight Paper - 91.4cm (36in) x 22.9m (75ft) (USA and Asia/Pacific)
Q1396A	Universal Bond Paper - 61cm (24in) x 30.5m (100ft)
Q1397A	Universal Bond Paper - 91.4cm (36in) x 30.5m (100ft)
Q1398A	Universal Bond Paper - 106.7cm (42in) x 30.5m (100ft)
Q1721A	Embossed Paper (140 gsm) - 91.4cm (36in) x 10.7m (35ft) (USA)
Q1733A	Indoor Self Adhesive Paper - 91.4cm (36in) x 22.9m (75ft) (USA)
Q1739A	Heat Transfer Paper - 91.4cm (36in) x 30.5m (100ft) (USA)
Q1903A	Polypropylene with Matte finish - 91.4cm (36in) x 22.9m (75ft)
Q1904A	Polypropylene with Matte finish - 106.7cm (42in) x 22.9m (75ft)
Q1906A	Polypropylene with Matte finish - 137.2cm (54in) x 22.9m (75ft)
Q1907A	Polypropylene with Matte finish - 152.4cm (60in) x 22.9m (75ft)
Q1908A	Polypropylene Adhesive Back print media - 91.4cm (36in) x 21.3m (70ft)
Q1909A	Polypropylene Adhesive Back print media - 106.7cm (42in) x 21.3m (70ft)



Paper and Other Media

Paper (Banner)

- C6786A Banner paper with Tyvek (140 gsm) - UV ink only - 61cm (24in) x 15.2m (50ft) roll
NO LONGER SUPPLIED
- C6787A Banner paper with Tyvek (140 gsm) - UV ink only - 91.4cm (36in) x 15.2m (50ft) roll

Paper (Bright White)

- C1860A Bright white InkJet paper - 61cm (24in) x 45.7m (150ft) roll
- C6035A Bright white InkJet paper - 61cm (24in) x 45.7m (150ft) roll
- C1861A Bright white InkJet paper - 91.4cm (36in) x 45.7m (150ft) roll
- C6036A Bright white InkJet paper - 91.4cm (36in) x 45.7m (150ft) roll
- C6810A Bright white InkJet paper - 91.4cm (36in) x 91.4m (300ft) roll

Paper (Coated)

- C6980A Coated paper (98 gsm) - 91.4cm (36in) x 91.4m (300ft) roll (USA, Canada, and Latin America)
- C7873A Heavyweight Coated Paper - 91.4cm (36in) x 4.6m (15ft)
- C8281A Basic Coated Paper - 61cm (24in) x 45.7m (150ft) (USA and Asia/Pacific)
- C8282A Basic Coated Paper - 91.4cm (36in) x 45.7m (150ft) roll (USA and Asia/Pacific)
- Q1412A Universal Heavyweight Coated paper - 61cm (24in) x 30.5m (100ft)
- Q1413A Universal Heavyweight Coated Paper - 91.4cm (36in) x 30.5m (100ft)
- Q1416A Heavyweight Coated Paper - 152.4cm (60in) x 30.5m (100ft)
- Q1961A Coated Paper - Architectural C size (18 x 24-inches) - 100 sheets
- Q1962A Coated Paper - Architectural D size (24 x 36-inches) - 100 sheets
- C6019B Coated paper (98 gsm) - 61cm (24in) x 45.7m (150ft) roll (USA, Canada, and Latin America)
- C6021B Heavyweight coated paper - 61cm (24in) x 30.5m (100ft) roll (USA, Canada, and Latin America)
NO LONGER SUPPLIED
- C6029C Heavyweight coated paper - 61cm (24in) x 30.5m (100ft) roll - For regular or UV resistant ink
- C6020B Coated paper (98 gsm) - 91.4cm (36in) x 45.7m (150ft) roll (USA, Canada, and Latin America)
- C6022B Heavyweight coated paper - 91.4cm (36in) x 30.5m (100ft) roll (USA, Canada, and Latin America)
NO LONGER SUPPLIED
- C6030C Heavyweight coated paper - 91.4cm (36in) x 30.5m (100ft) roll - For regular or UV resistant ink

Paper (Fabric)

- Q1918A Viscose Paper-Back Fabric print media - 91.4cm (36in) x 10.1m (33ft)
- Q1919A Viscose Paper-Back Fabric print media - 106.7cm (42in) x 10.1m (33ft)
- Q1920A Viscose Paper-Back Fabric print media - 137.2cm (54in) x 10.1m (33ft)

Paper (Glossy)

- C3836AC Premium High Gloss Film - A size (8.5 x 11-inches) - 50 sheets per package
- C8315A High Gloss Photo Paper - 61cm (24in) x 30.5m (100ft) (USA and Asia/Pacific)
- C8316A High Gloss Photo Paper - 91.4cm (36in) x 30.5m (100ft) (USA and Asia/Pacific)
- Q1426A Universal High-Gloss Photo Paper - 61cm (24in) x 30.5m (100ft)
- Q1427A Universal High-Gloss Photo Paper - 91.4cm (36in) x 30.5m (100ft)
- Q1428A Universal High-Gloss Photo Paper - 106.7cm (42in) x 30.5m (100ft)
- Q1429A Universal High-Gloss Photo Paper - 137.2cm (54in) x 30.5m (100ft)
- Q1430A Universal High-Gloss Photo Paper - 152.4cm (60in) x 30.5m (100ft)
- Q1958A Premium High-gloss Film - A4 size (21.0cm x 29.7cm) - 10 sheets
- C3831A Premium glossy InkJet paper - A4 size (21.0cm x 29.7cm) - 10 sheets per package
- C3837A Premium glossy InkJet paper - A4 size (21.0cm x 29.7cm) - 50 sheets per package
- C2974A Glossy printer paper - A size (8.5 x 11-inches) - For high definition color printing - 50 sheets per box
NO LONGER SUPPLIED



Paper and Other Media

Paper (Glossy)

- C3833A Premium glossy InkJet paper - A size (8.5 x 11-inches) - 10 sheets per package
- C3836A Premium glossy InkJet paper - A size (8.5 x 11-inches) - 50 sheets per package
- C6814A High gloss photo paper - 91.4cm (36in) x 30.5m (100ft) roll

Paper (InkJet)

- C1853A Premium InkJet heavyweight paper - A4 size (21.0cm x 29.7cm) - Coated on both sides - 100 sheets per package
- C5977A Bright white InkJet paper - A4 size (21.0cm x 29.7cm) - 200 sheets per package
- C5977B Bright white InkJet paper - A4 size (21.0cm x 29.7cm) - 250 sheets per package
- C1824A Bright white InkJet paper - A size (8.5 x 11-inches) - 500 sheets per package
- C5973A Premium glossy paper - A size (8.5 x 11-inches) - 25 sheets per package
NO LONGER SUPPLIED
- C5976A Bright white InkJet paper - A size (8.5 x 11-inches) - 200 sheets per package
- C5976B Bright white InkJet paper - A size (8.5 x 11-inches) - 250 sheets per package
- C1855A Premium InkJet paper - B size (11 x 17-inches) - 100 sheets per package
- C1857A Bright white InkJet paper - B size (11 x 17-inches) - 200 sheets per package
- C1856A Premium InkJet paper - A3 size (29.7cm x 42.0cm) - 100 sheets
- C1858A Bright white InkJet paper - A3 size (29.7cm x 42.0cm) - 200 sheets per package

Paper (Matte)

- C6955A Professional and flyer paper (Matte) - A size (8.5 x 11-inches) - 50 sheets

Paper (Photo)

- C6813A High gloss photo paper - 61cm (24in) x 30.5m (100ft) roll
- C6950AC Premium Plus matte photographic paper - A size (8.5 x 11-inches) - 20 sheets per package - For Canada only
- C7040A Glossy premium photo paper - A4 size (21.0cm x 29.7cm)
- C7874A High Gloss Photo Paper - 91.4cm (36in) x 3.0m (10ft)
- C7946A Photo Paper RC Matte - 91.4cm (36in) x 30.5m (100ft) (USA)
- C8310A Basic Photo Satin paper - 61cm (24in) x 30.5m (100ft) (USA and Asia/Pacific)
- C8311A Basic Photo Satin paper - 91.4cm (36in) x 30.5m (100ft) (USA and Asia/Pacific)
- Q1420A Semi-Gloss Photo Paper - 61cm (24in) x 30.5m (100ft)
- Q1421A Semi-Gloss Photo Paper - 91.4cm (36in) x 30.5m (100ft)
- Q1422A Semi-Gloss Photo Paper - 106.7cm (42in) x 30.5m (100ft)
- Q1424A Semi-Gloss Photo Paper - 152.4cm (60in) x 30.5m (100ft)
- Q1785A Photo Paper - A size (8.5 x 11-inches) - 50 sheets
- Q1786A Premium Plus Photo Paper - A4 size (21.0cm x 29.7cm) - 50 sheets
- Q1933A Premium Plus Photo Glossy paper - A4 size (21.0cm x 29.7cm) - 20 sheets
- Q1934A Premium Plus Photo Matte paper - A4 size (21.0cm x 29.7cm) - 20 sheets per package
- Q1993A Premium Photo Matte Paper - A size (8.5 x 11-inches) - 15 sheets
- Q1994A Premium Photo Matte Paper - A size (8.5 x 11-inches) - 50 sheets
- C6040A Premium glossy photo paper - A4 size (21.0cm x 29.7cm) - 15 sheets per package (Europe, Brazil, and Argentina)
- C6043A Premium glossy photo paper - A4 size (21.0cm x 29.7cm) - 15 sheets per package (Japan)
- C6832A Premium plus glossy InkJet photographic paper - A4 size (21.0cm x 29.7cm) - 20 sheets per package
- C6951A Premium plus matte InkJet photographic paper - A4 size (21.0cm x 29.7cm) - 20 sheets per package
- C6039A Premium glossy photo paper (Fast dry time) - A size (8.5 x 11-inches) - 15 sheets per package
- C6831A Premium plus glossy InkJet photographic paper - A size (8.5 x 11-inches) - 20 sheets per package
- C6950A Premium Plus matte inkjet photographic paper - A size (8.5 x 11-inches) - 20 sheets per package
- C6058A Premium photographic paper - B size (11 x 17-inches) - 20 sheets



Paper and Other Media

Paper (Photo)

C6059A Premium photographic paper - A3 size (29.7cm x 42.0cm) - 20 sheets

Paper (Poster)

C7949A Outdoor Billboard Paper - Blue back - 91.4cm (36in) x 30.5m (100ft) (USA)

Paper (Satin)

C7952A Proofing Paper RC Satin - 91.4cm (36in) x 30.5m (100ft) (USA)

Paper (Tracing)

C3869A Natural tracing paper - 61cm (24in) x 45.7m (150ft) roll

C3868A Natural tracing paper - 91.4cm (36in) x 45.7m (150ft) roll

Paper (Translucent)

C3860A Translucent bond paper - 61cm (24in) x 45.7m (150ft) roll

C3859A Translucent bond paper - 91.4cm (36in) x 45.7m (150ft) roll

Vellum

C3862A Vellum - 61cm (24in) x 45.7m (150ft) roll

C3861A Vellum - 91.4cm (36in) x 45.7m (150ft) roll

Vinyl (Adhesive)

C6775A Colorfast adhesive vinyl (328 gsm) - 91.4cm (36in) x 12.2m (40ft) roll - For regular ink or UV-resistant ink

Stand Parts

Bin

347 C6072-60208 Media bin - Between printer stand legs

Cover

C6074-60275 Media bin cover - Used to protect high gloss photo paper from scratches caused by contact with the media bin

Cross-Brace

349 C6072-60185 Cross-brace - Main structure that extends between stand legs

Foot

350 C6072-60182 Foot assembly (Includes casters)

Hardware Kit

C6072-60180 Hardware kit for printer stand - Includes screwdriver and screws

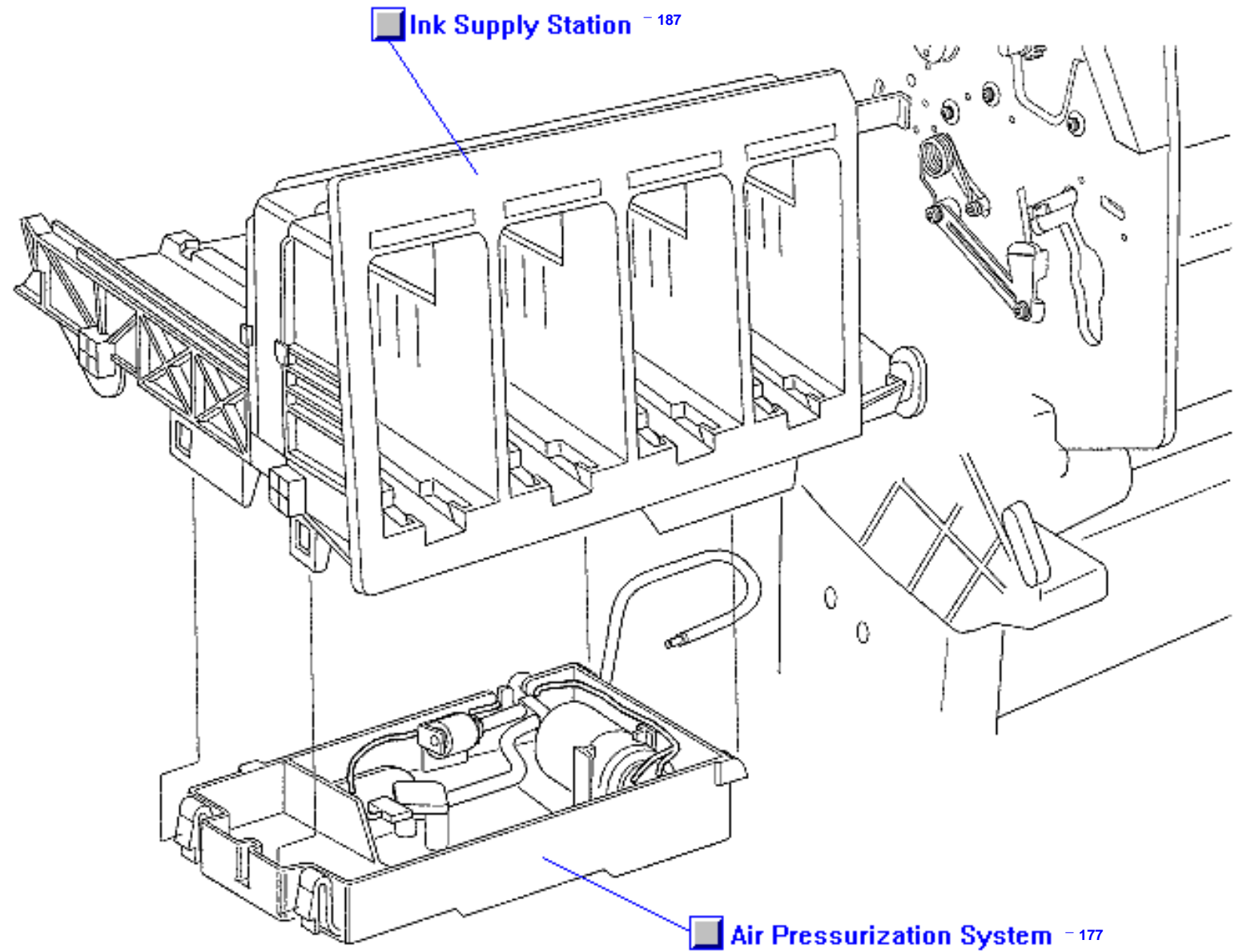
Leg

352 C6072-60184 Leg assembly - Side support for the printer - Does NOT include the foot assembly

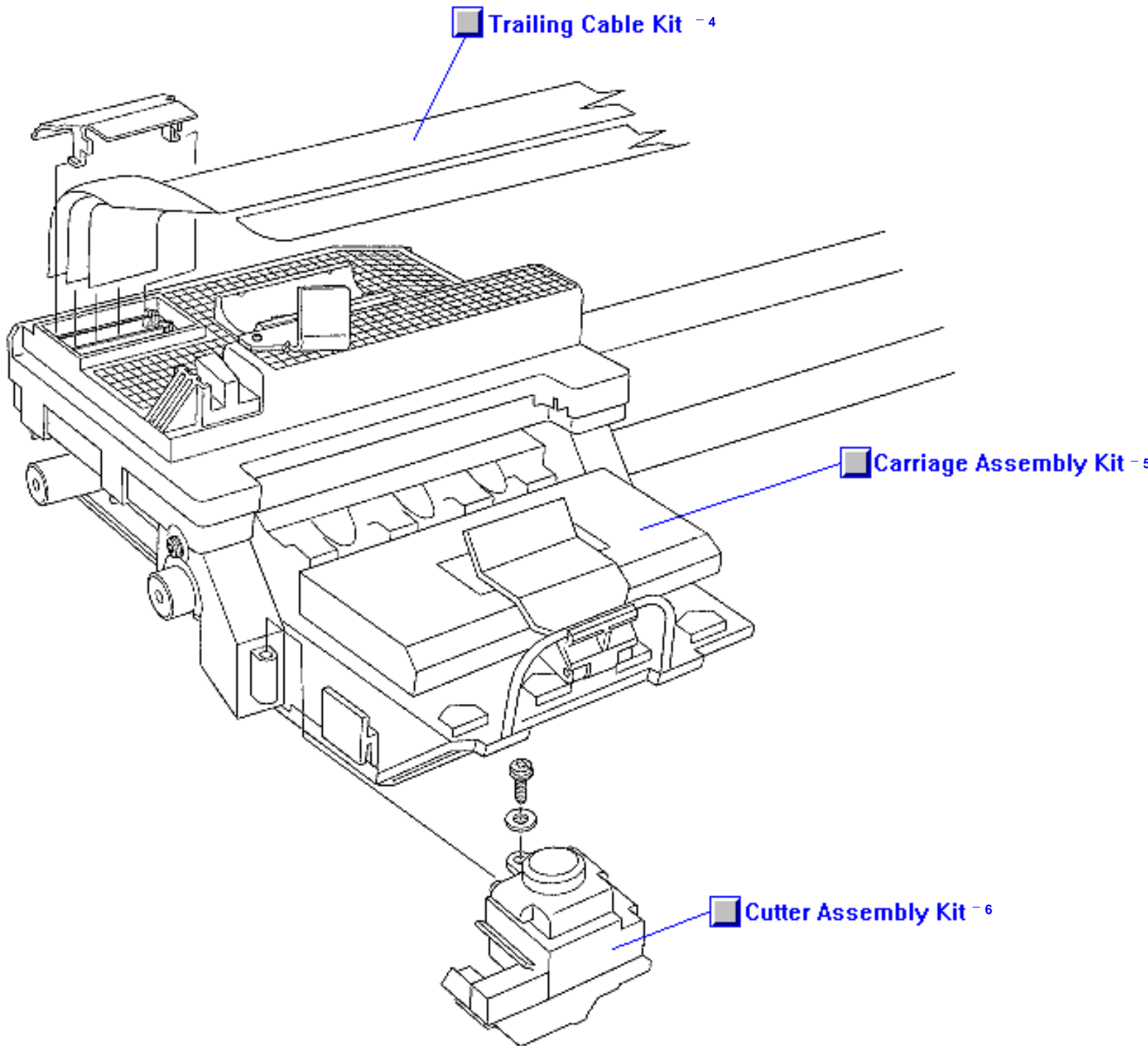
Tray

353 C6072-60183 Printer stand tray - Mounted between the feet of printer

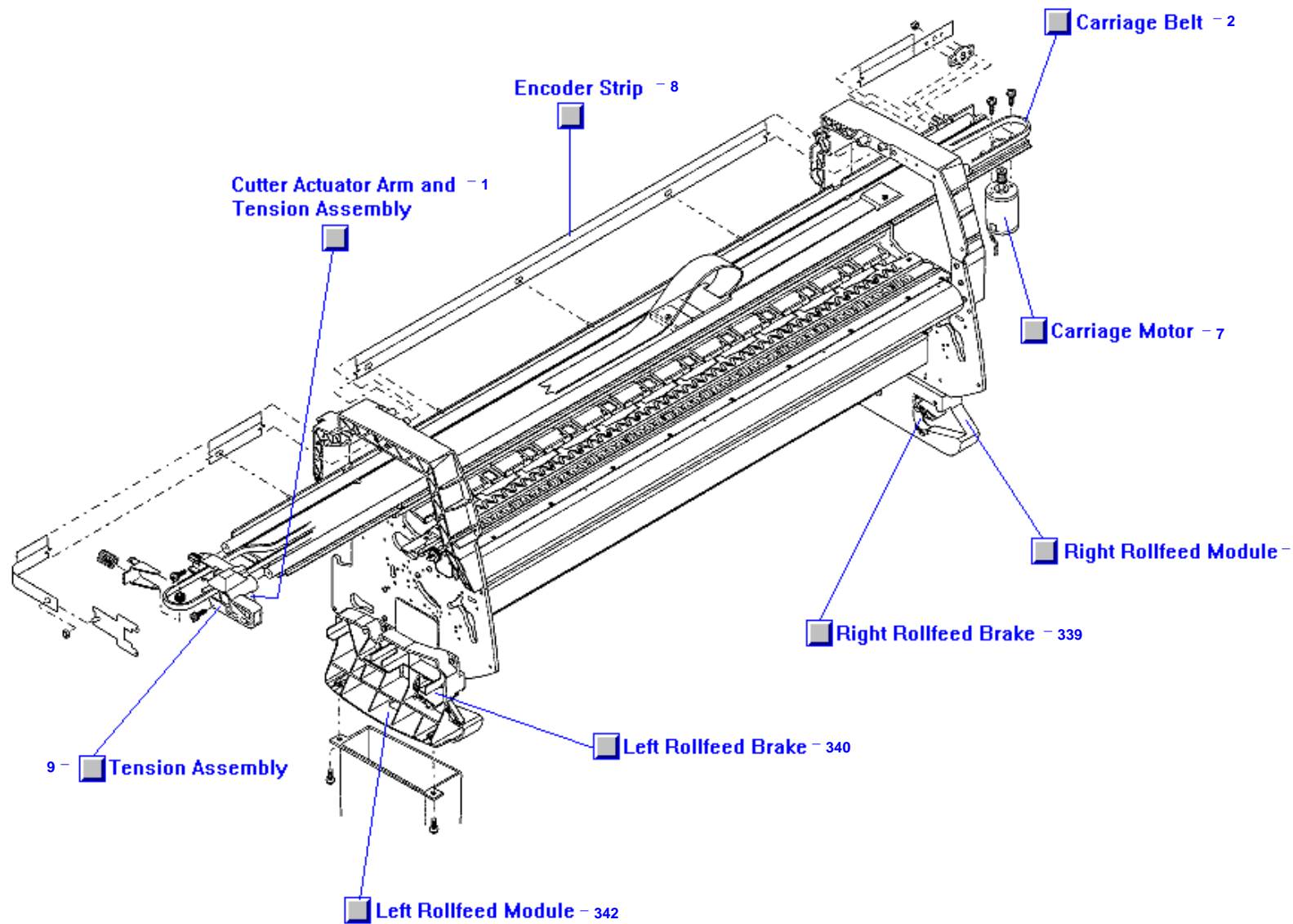
Air Pressurization System, Ink Supply Station



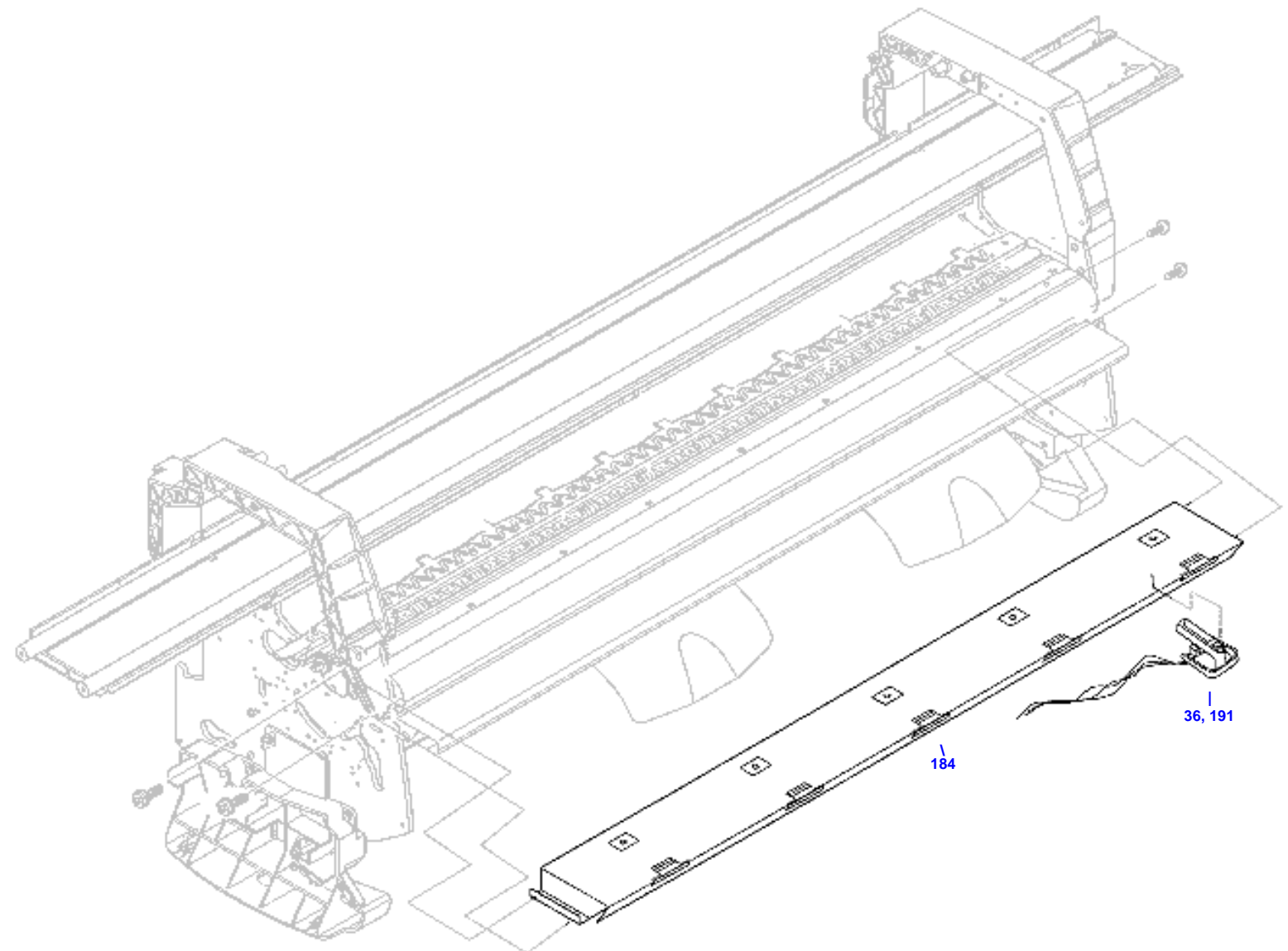
Carriage Assembly, Cutter Assembly, Trailing Cable



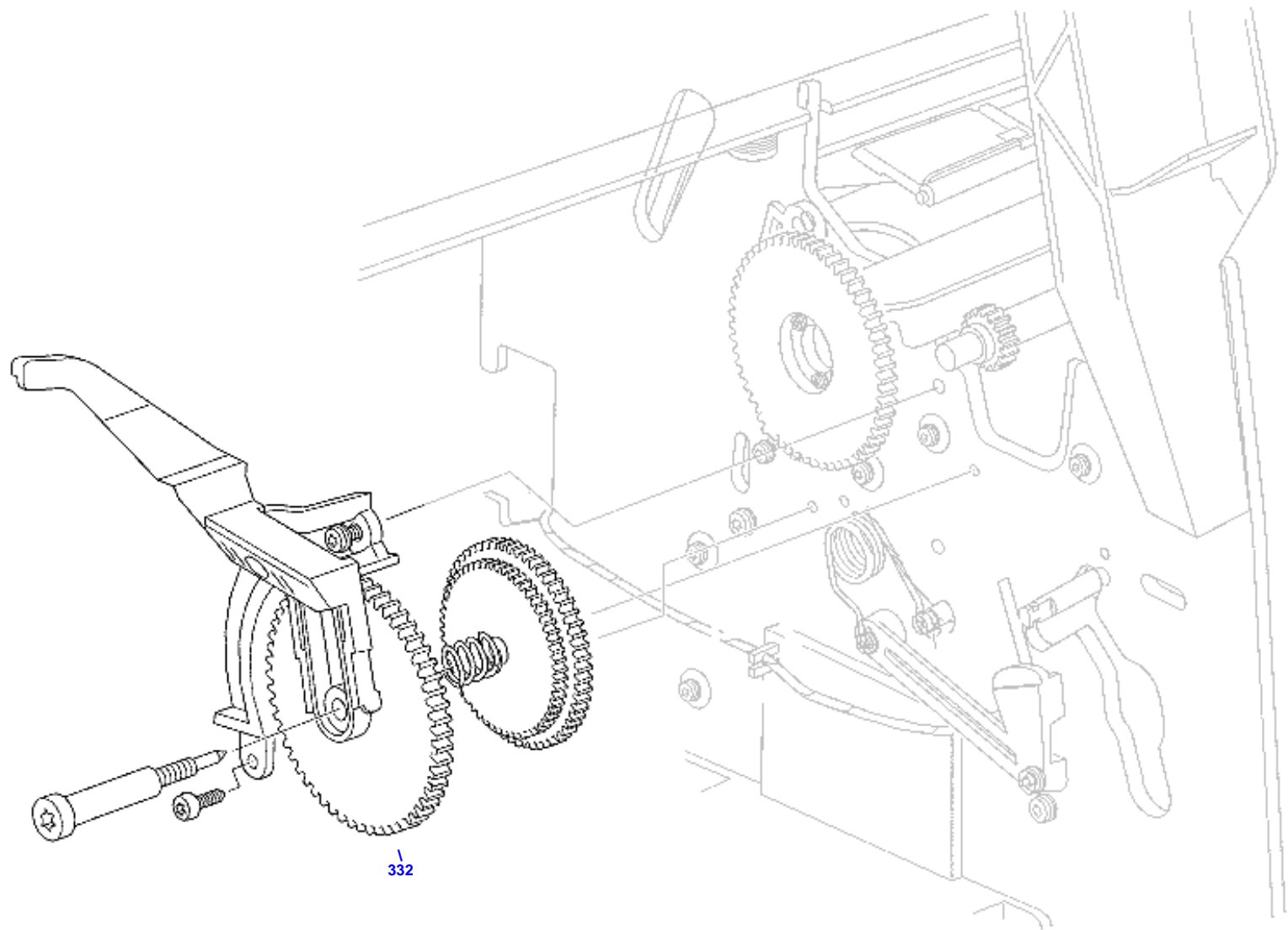
Carriage Motor, Carriage Belt, Encoder, Rollfeed



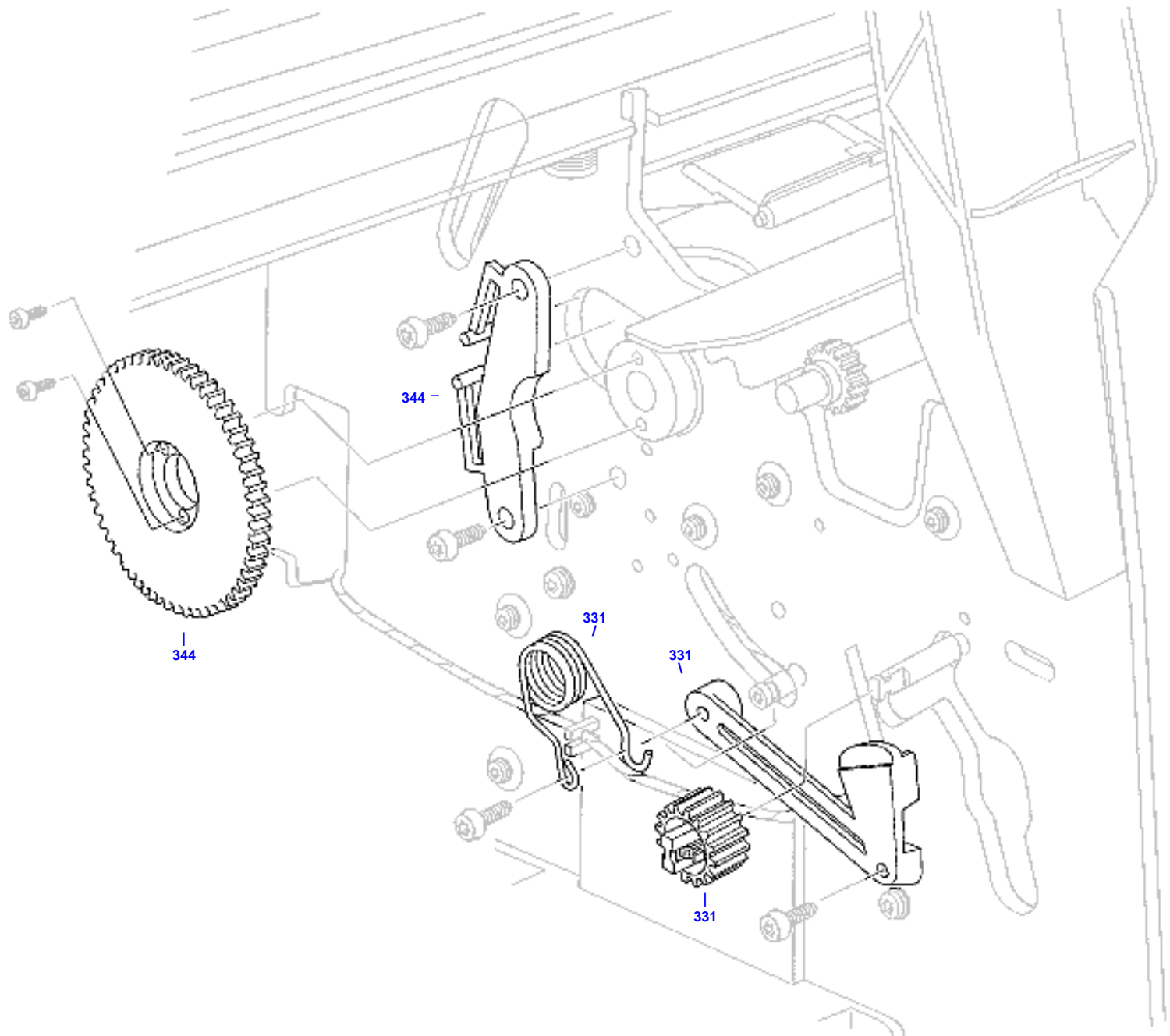
Center Guide and Media Sensor



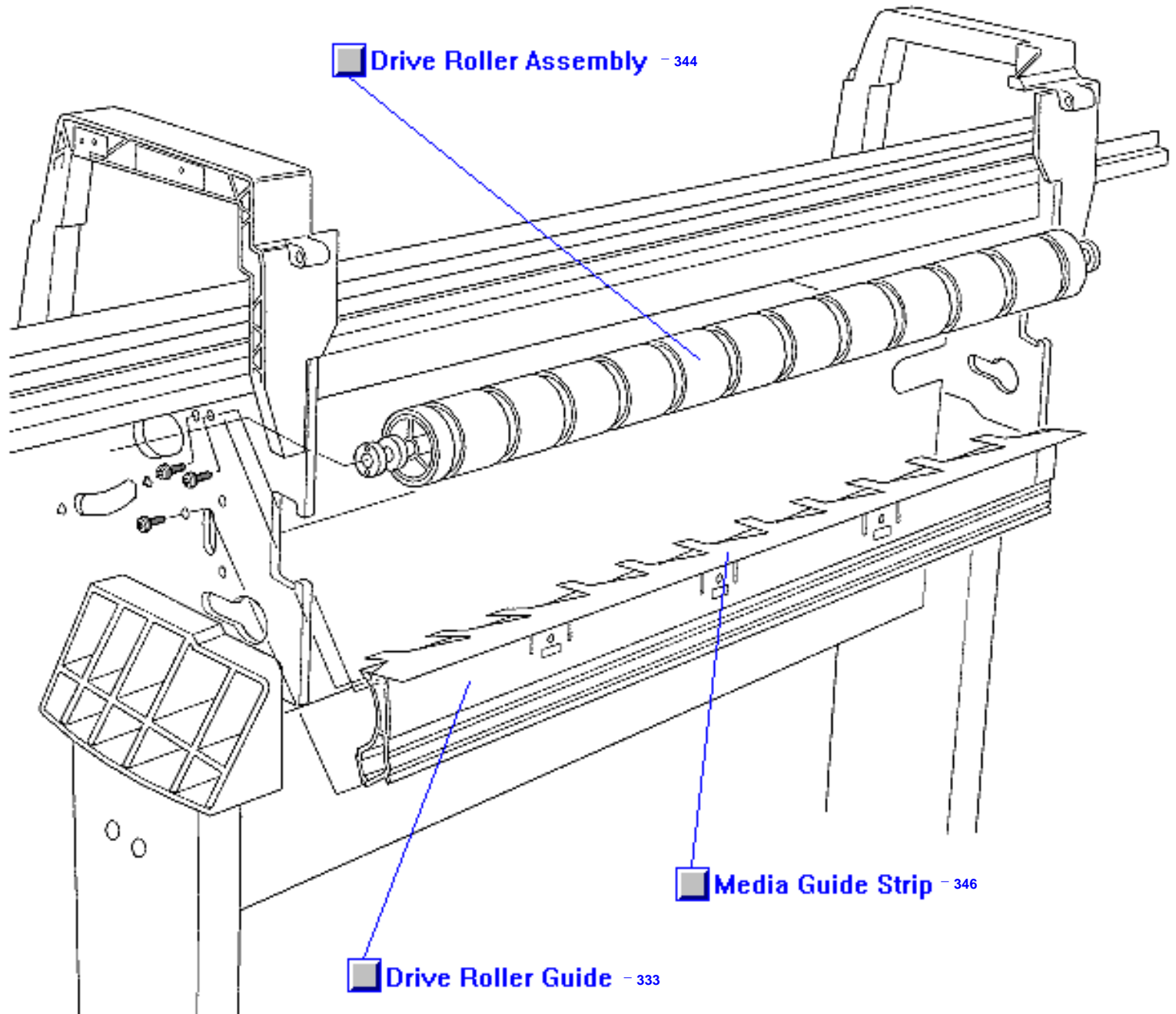
Clutch Assembly



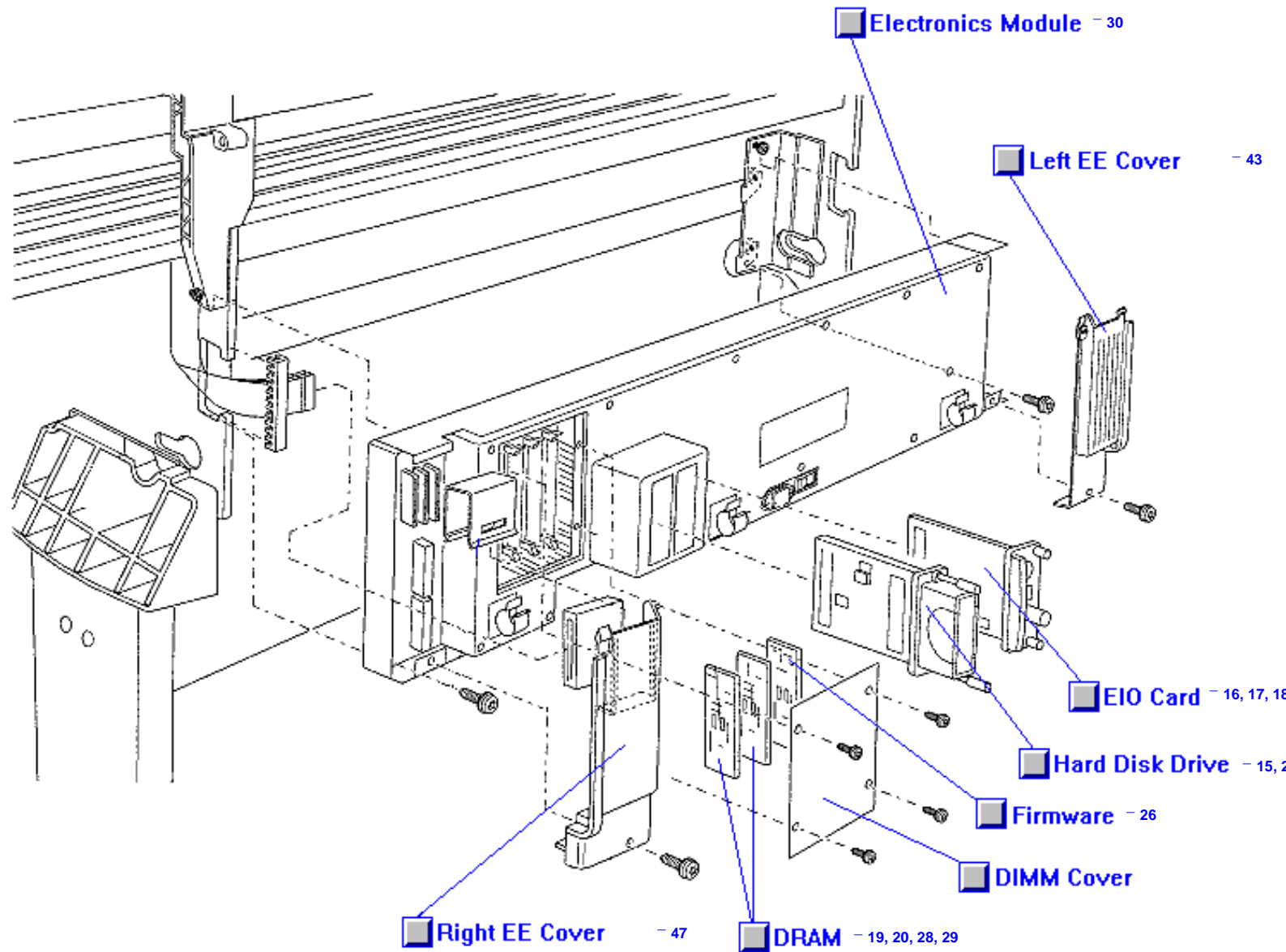
Drive Roller Gear and Miscellaneous ARSS Parts



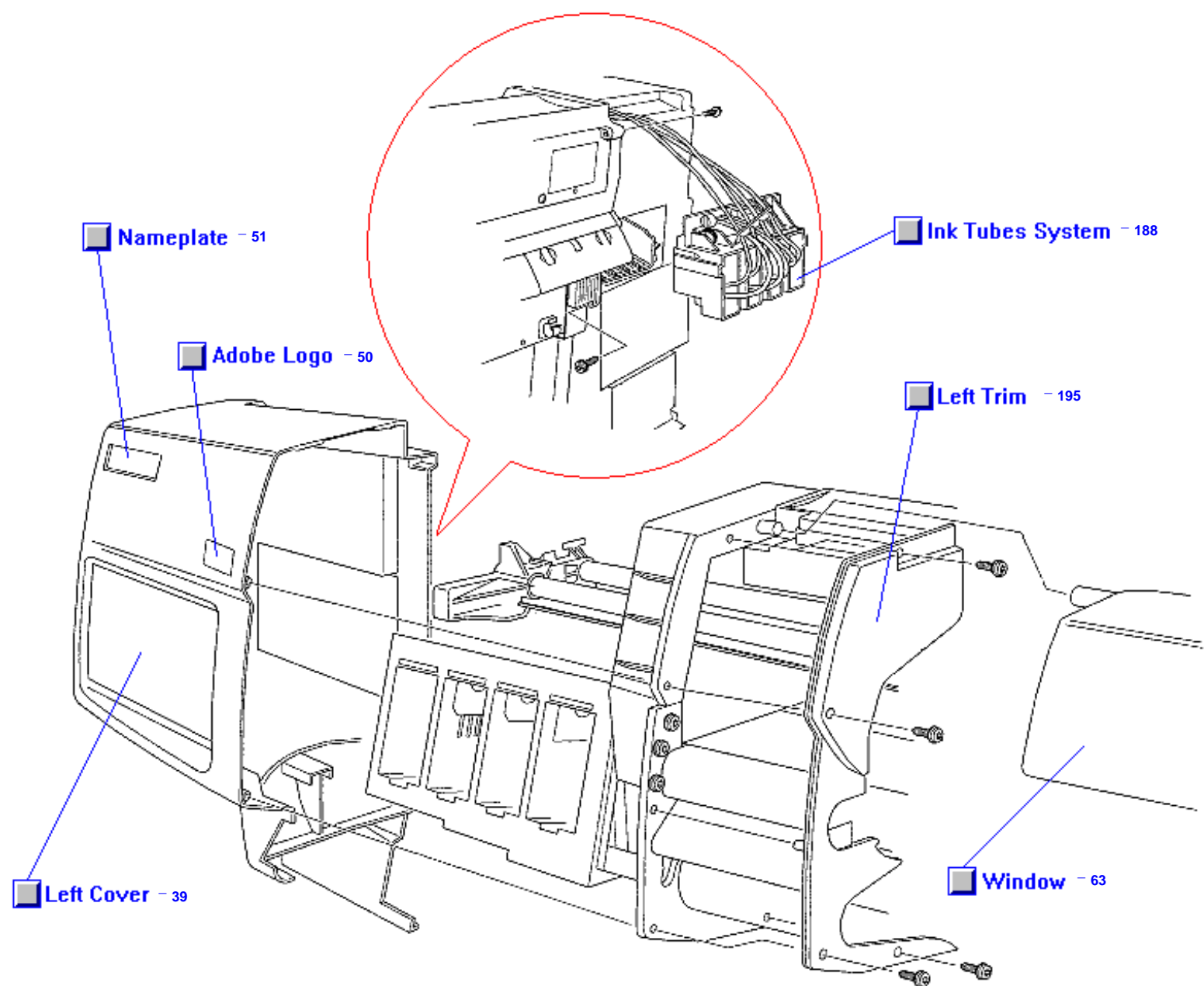
Drive Roller, Drive Roller Guide, Media Guide Strip



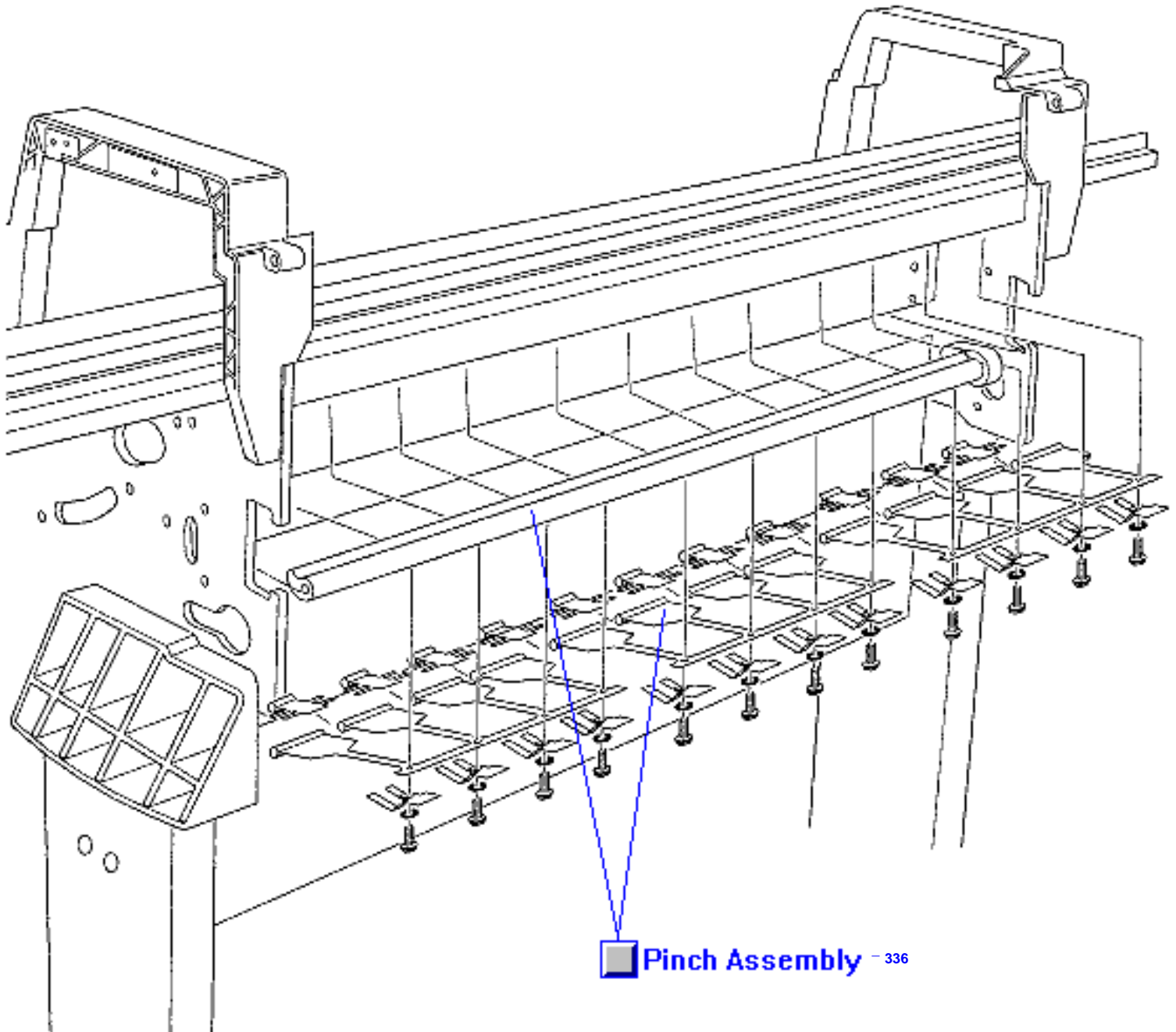
Electronics Module and Plug-in Devices



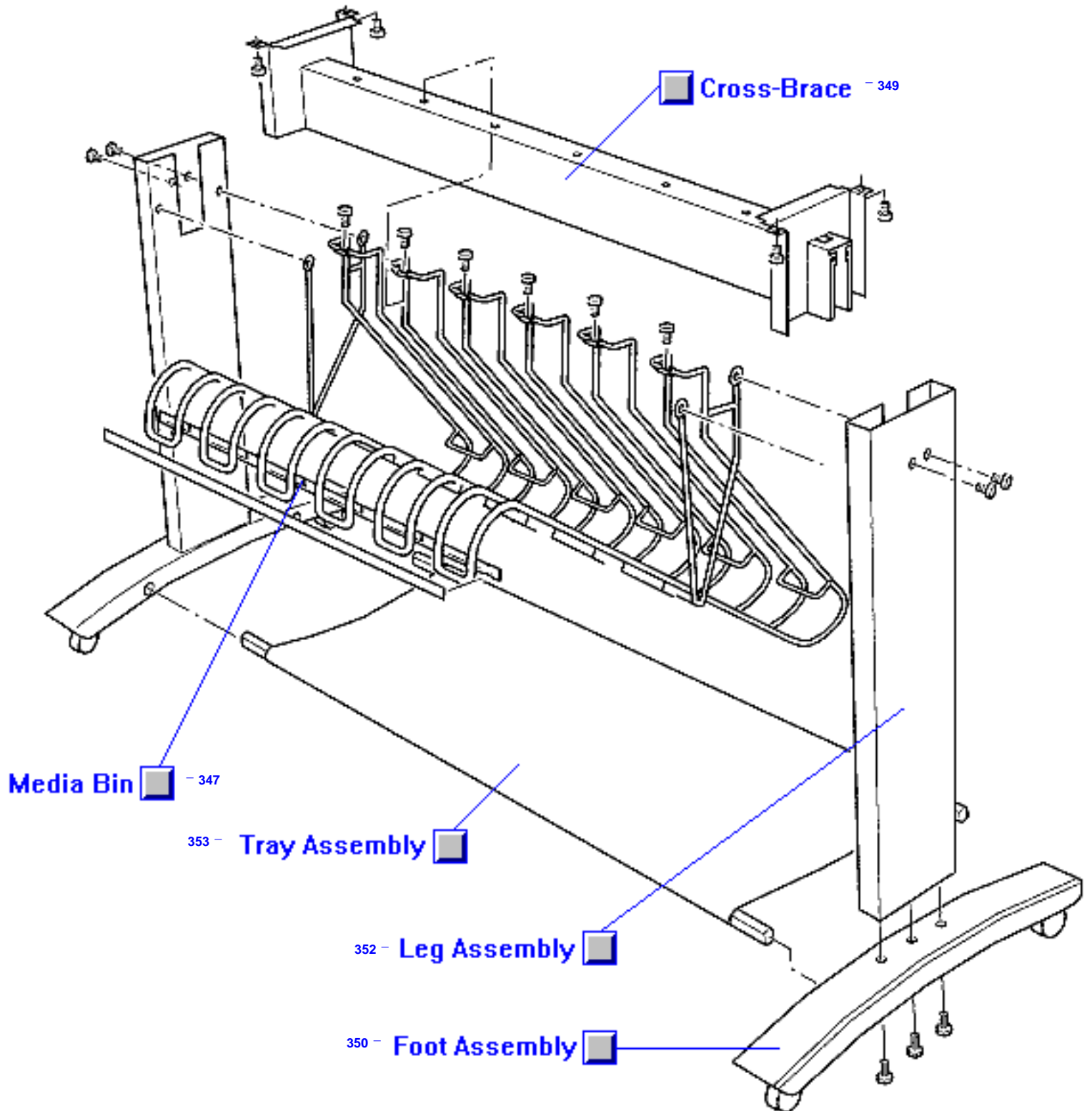
Left Cover, Ink Tubes System, Window



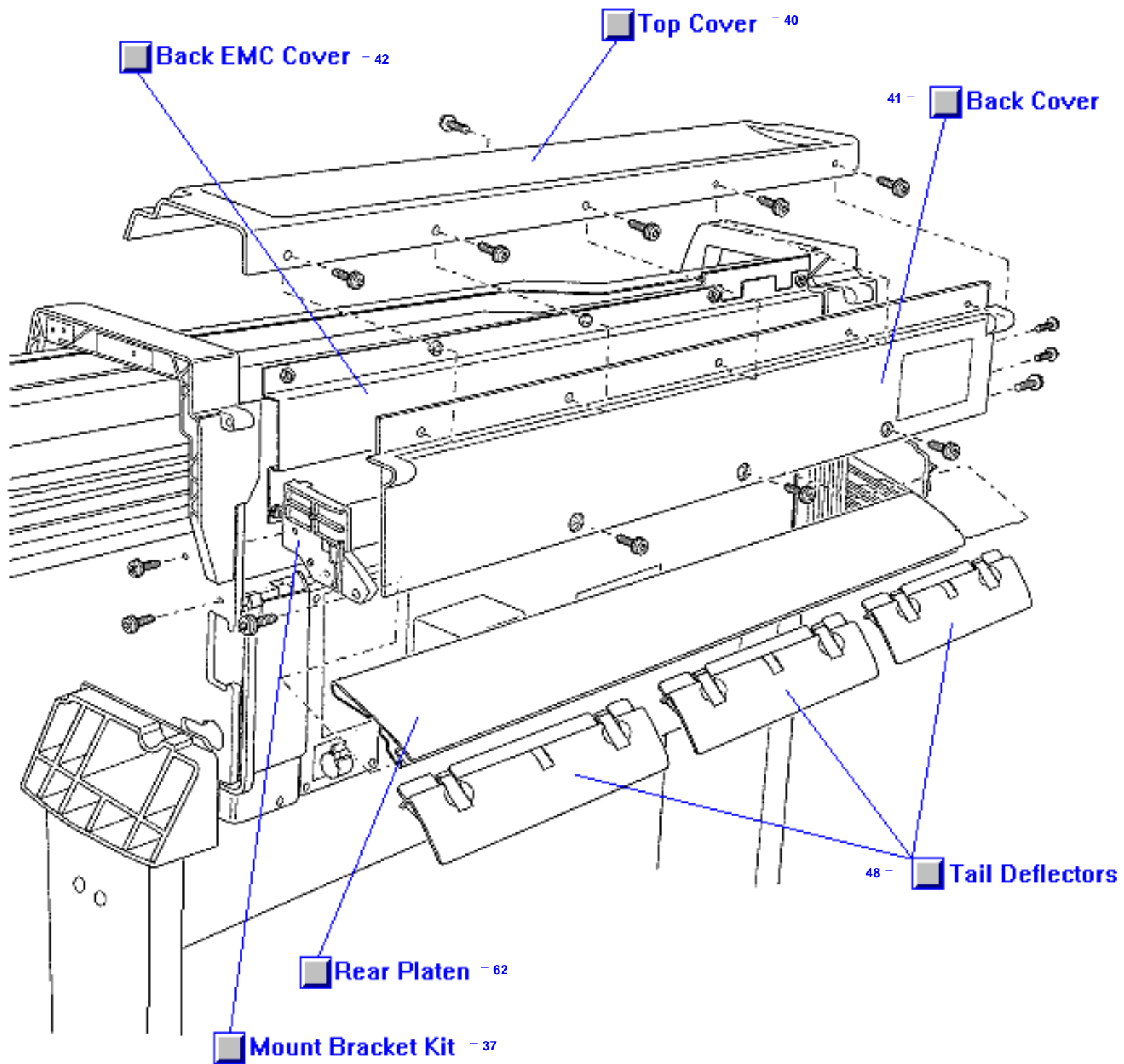
Pinch Assembly



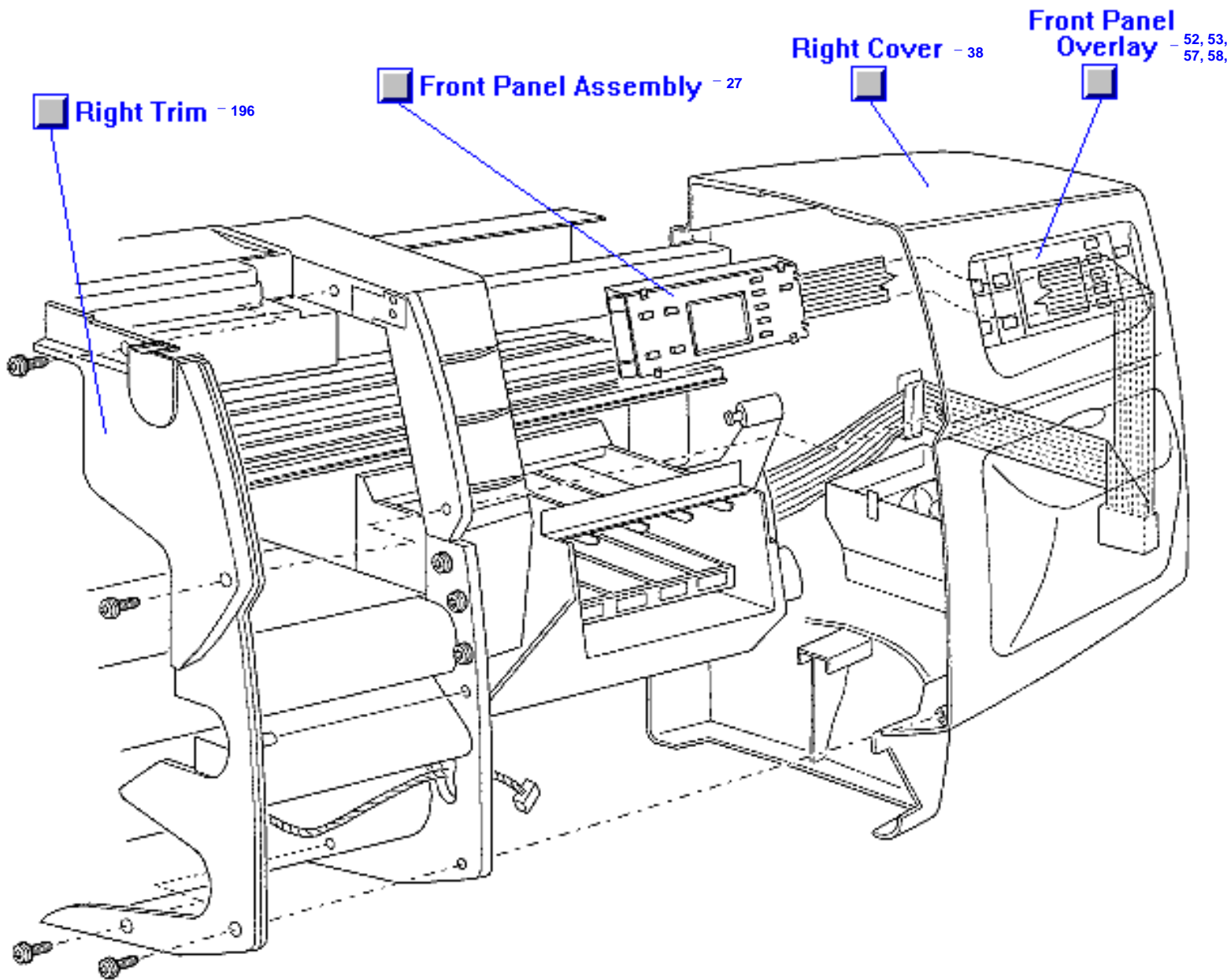
Printer Stand



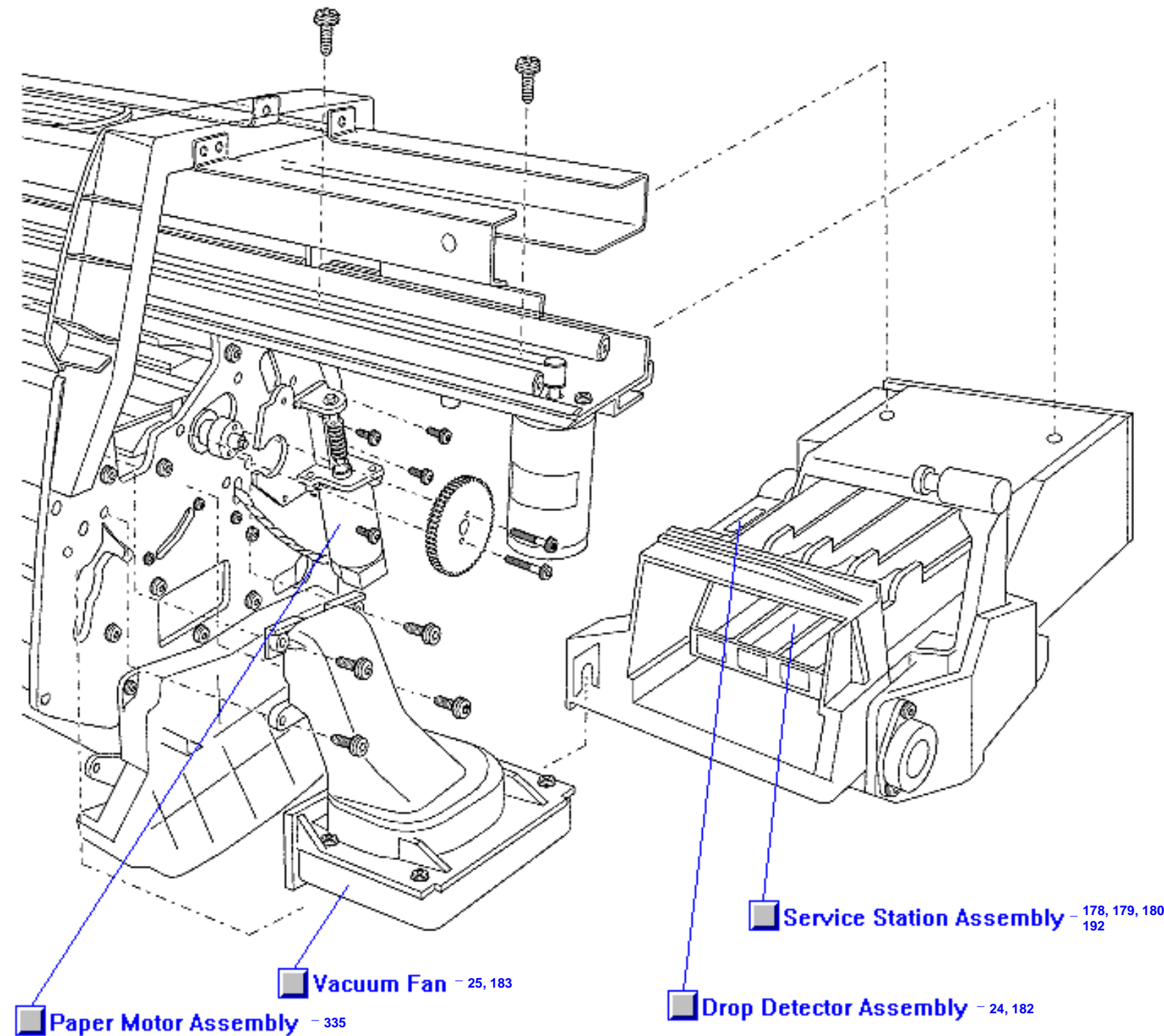
Rear Covers



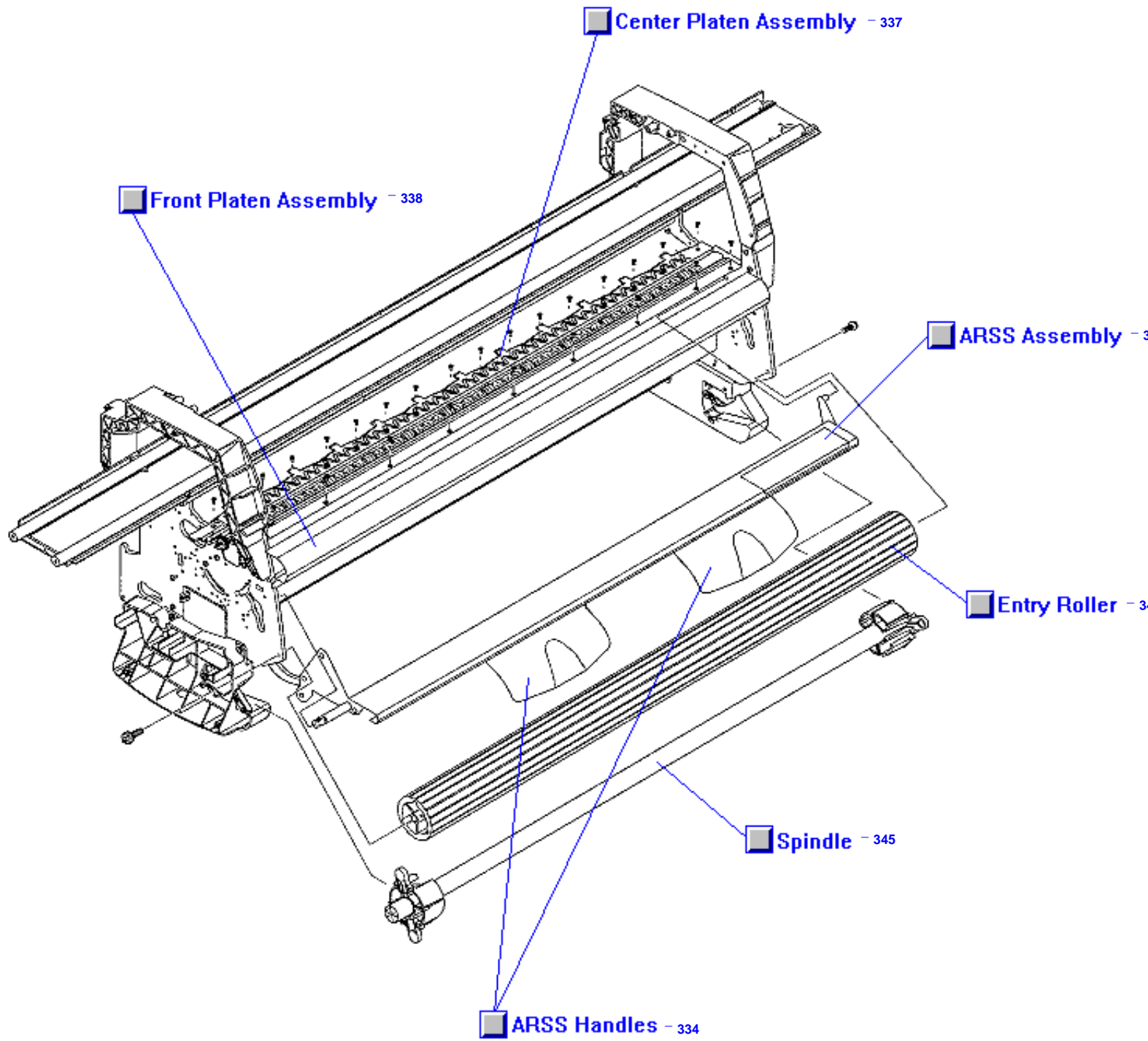
Right Cover and Front Panel Assembly



Service Station, Vacuum Fan, Paper Motor

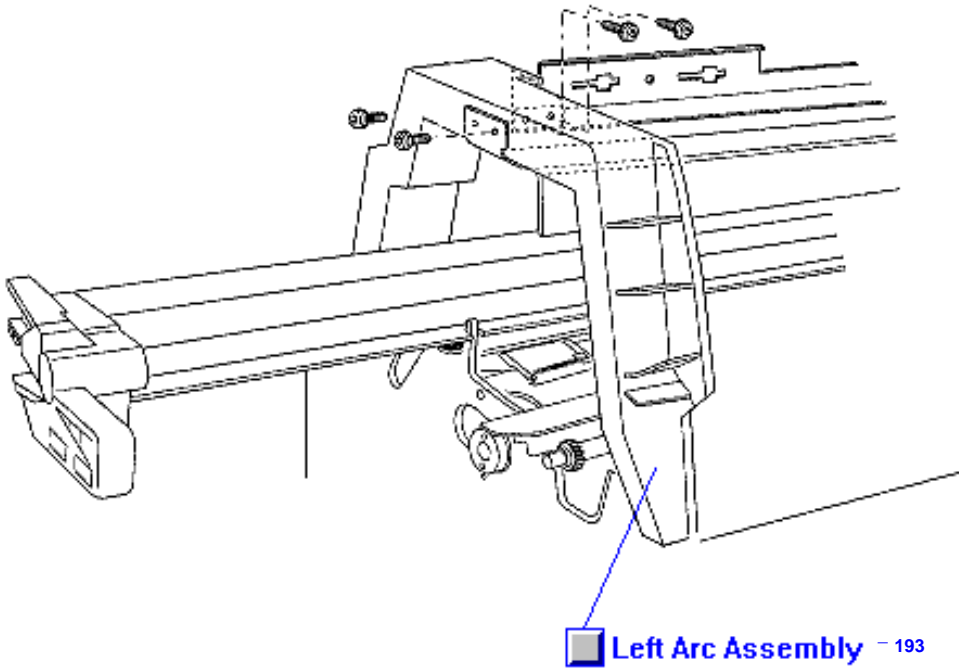


Spindle and Paper Path Parts

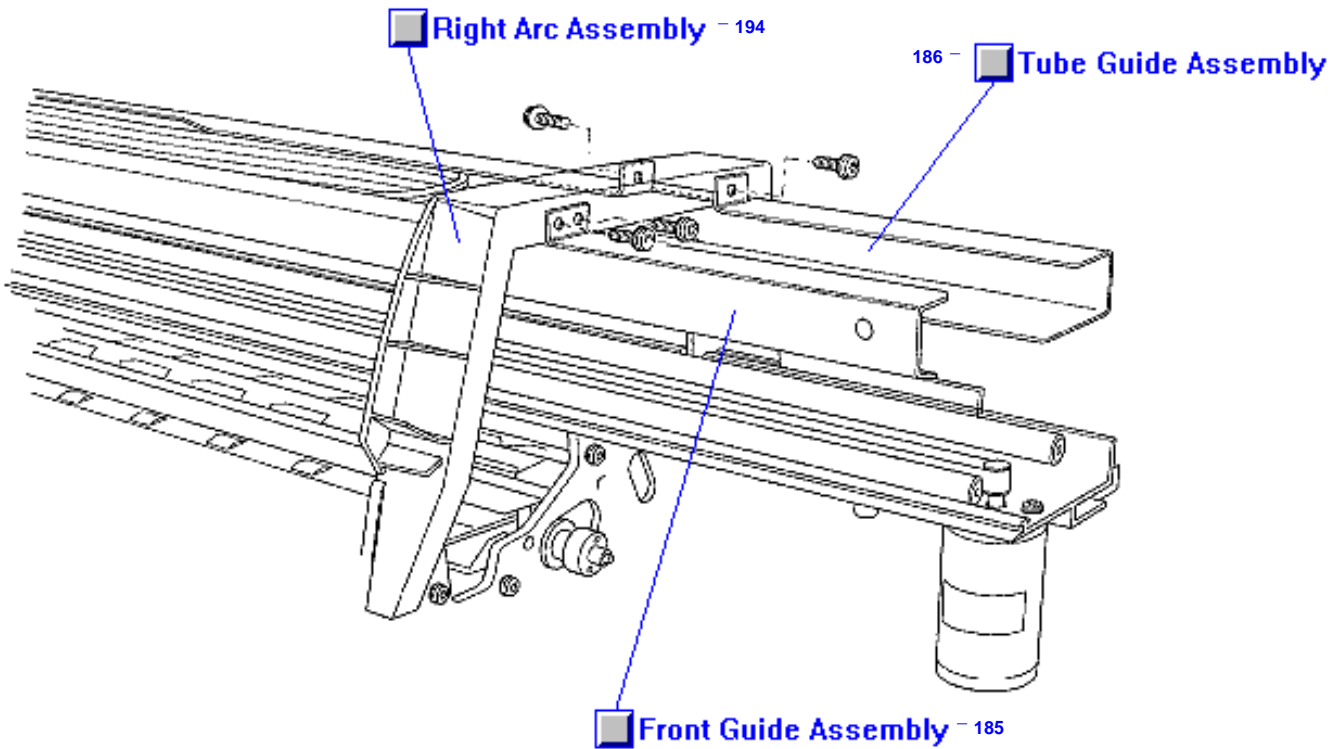


Tubes Guide, Front Guide, Left and Right Arcs

Left View



Right View





HP Parts Reference Guide

<http://www.hp.com/go/parts>

HP PartSurfer

<http://partsurfer.hp.com>

HP Parts Ordering Information

<http://www.hp.com/go/hpparts>

HP Parts Questions/Comments

<http://partsurfer.hp.com/contactus.htm>