



Carriage/Carriage Drive

Arm

1 C6072-60199 Cutter actuator arm

Belt

2 C6072-60198 Carriage drive belt kit - Includes belt and oil

Bushing

C4704-40084 Rear slider rod bushing (Spring loaded)

Cable

4 C6072-60196 Carriage trailing cable kit - Includes cable, trailing cable clip, nye oil, cover cap, trailing cable ferrite, ferrite holder

Carriage

5 C6072-69147 Carriage assembly kit - Includes carriage, carriage height tool cutter assembly, and line sensor - Does not include cable
REQUIRES RETURN OF DEFECTIVE PART

C6072-60147 *New Part for C6072-69147*

Cutter

6 C6072-60200 Cutter assembly kit - Includes mounting hardware - Installed under carriage assembly

Motor

7 C6072-60148 Carriage motor - Includes pulley

Strip

8 C6072-60197 Encoder strip

Tensioner

9 C6072-60149 Tensioner assembly - Includes pulley assembly, pulley spring, wedge, cutter actuator arm, and tensioner housing

Tool

C6071-60166 Carriage height tool

Electronic Accessories

Cable (Interface)

5063-1256 IEEE-1284 Bi-Tronics parallel cable - DB-25 (M) connector (type A) to 36 pin Centronics (M) connector (type B) - 2.0m (6.6ft) long

5063-1257 IEEE-1284 Bi-Tronics parallel cable - DB-25 (M) connector (type A) to 36 pin Centronics (M) connector (type B) - 3.0m (9.8ft) long

C2950A IEEE-1284 Bi-Tronics parallel cable - DB-25 (M) connector (type A) to 36 pin Centronics (M) connector (type B) - 2.0m (6.6ft) long

5063-1256 *New Part for C2950A*

C2951A IEEE-1284 Bi-Tronics parallel cable - DB-25 (M) connector (type A) to 36 pin Centronics (M) connector (type B) - 3.0m (9.8ft) long

Drive

15 C6074-69281 7.5GB hard disk drive - Includes the HDD, cables, and HDD bridge
REQUIRES RETURN OF DEFECTIVE PART

C6074-60281 *New Part for C6074-69281*

Interface (Product)

J4169A JetDirect 610N internal print server (10Base-T and 100Base-TX) LAN interface board - Plugs into peripheral EIO slot - Has a RJ-45 connector - Comes with software on CD-ROM and manual

J6057A JetDirect 615N internal print server (10Base-T and 100Base-TX) LAN interface board - Plugs into peripheral EIO slot - Has a RJ-45 connector - Comes with software on CD-ROM and manual

J6057AR JetDirect 615N internal print server (10Base-T and 100Base-TX) LAN interface board - Plugs into peripheral EIO slot - Has a RJ-45 connector - Comes with software on CD-ROM and manual

Memory (DIMM)

C6074-60288 64MB SDRAM DIMM memory module

C6074-60289 128MB SDRAM DIMM memory module



Electronic Accessories

Memory (Product)

- 21 Q1282A 64MB SDRAM DIMM memory for the DesignJet 1000 Plus series
- 22 Q1283A 128MB SDRAM DIMM memory for the DesignJet 1000 Plus series

PC Board (Interface)

- 23 J4169-69001 JetDirect 610N internal print server 10Base-T and 100Base-T LAN interface board - Has one RJ-45 connector
J6057-69001 *New Part for J4169-69001*

PostScript

- 24 Q1281A PostScript Upgrade Kit for 1050C Plus - Includes PostScript ROM SIMM, driver software, and documentation

Electronics/Power Supply

Drive

- 25 C6074-69281 7.5GB hard disk drive - Includes the HDD, cables, and HDD bridge
REQUIRES RETURN OF DEFECTIVE PART
C6074-60281 *New Part for C6074-69281*

Drop Detector

- 26 C6072-60179 Drop detector assembly - Includes spittoon foam - Installed in service station assembly

Fan

- 27 C6072-60159 Vacuum/aerosol fan assembly - Installed on right side of printer chassis

Firmware

- 28 C6074-60338 Firmware DIMM (Revision A.02.05)

Front Panel

- 29 C6072-60175 Front panel assembly - Includes front panel cable

Module

- 30 C6074-60285 Electronics module base - Includes cooling fan

PC Board

- 31 C6074-60284 ISS PC board
- 32 C6074-69283 Main logic PC board
REQUIRES RETURN OF DEFECTIVE PART
C6074-60283 *New Part for C6074-69283*

Power Cord

- 8120-0698 Power cord (Black) - 18 AWG, 2.3m (7.5ft) long - Has straight (F) receptacle (For 220V/240V in the USA and Canada)
- 8120-1378 Power cord (Jade Gray) - 18 AWG, 2.3m (7.5ft) long - Has straight (F) receptacle (For 120V in USA, Canada, Latin America, Korea, Taiwan, Thailand, Spain, Brazil, and Vietnam)

Power Supply

- 35 C6074-60282 Power supply unit

Sensor

- 36 C6072-60190 Media sensor

External Case Parts

Bracket

- 37 C6072-60188 Rear cover mounting bracket kit - Includes left and right brackets

Cover

- 38 C6072-60165 Right cover - Includes front panel cable - Does not include front panel assembly or aerosol fan
- C6072-60167 Left cover - Covers the ink tube system and has a door to access the ink cartridges
- 40 C6072-60168 Top cover - Covers the top of the print mechanism (Not the window)
- 41 C6072-60169 Back cover - Includes blank serial number label
- 42 C6072-60170 Back EMC cover



External Case Parts

Cover

43	C6072-60171	Left rear cover kit - Covers electronics module near the DIMM cover - Includes ferrite and clip
	C6072-60177	EIO cover - Used when an EIO slot is empty
45	C6074-60280	Electronics module cover
46	C6074-60286	Right rear electronics module cover
47	C6074-60287	Firmware and memory DIMM cover

Deflector

48	C6071-60148	Tail deflectors
----	-------------	-----------------

Holder

	C6071-60154	Quick reference guide holder
--	-------------	------------------------------

Nameplate/Logo

50	C6074-00017	Nameplate - DesignJet 1050C Plus
----	-------------	----------------------------------

Overlay

51	C6074-60241	Front panel overlay (English)
52	C6074-60242	Front panel overlay (Korean)
53	C6074-60243	Front panel overlay (Taiwanese)
54	C6074-60244	Front panel overlay (German)
55	C6074-60245	Front panel overlay (French)
56	C6074-60246	Front panel overlay (Spanish)
57	C6074-60247	Front panel overlay (Italian)
58	C6074-60248	Front panel overlay (Japanese)
59	C6074-60249	Front panel overlay (Portuguese)
60	C6074-60250	Front panel overlay (Chinese)

Platen

61	C6072-60186	Rear Platen
----	-------------	-------------

Window

	C6072-60164	Lift-up viewing window
--	-------------	------------------------

Other Accessories

CD-ROM (Support)

	C7769-90066	DesignJet support CD ROM - Version A.04.01 - Has product information, user's manuals, service manuals, diagnostic software, test drawings, newsletters, and service notes
--	-------------	---

Cartridge

	C4872-80126	No.80 standard capacity cyan ink cartridge (175ml ink)
	C4872A	No.80 standard capacity cyan ink cartridge (175ml ink)
	C4873-80128	No.80 standard capacity yellow ink cartridge (175ml ink)
	C4873A	No.80 standard capacity yellow ink cartridge (175ml ink)
	C4874-80127	No.80 standard capacity magenta ink cartridge (175ml ink)
	C4874A	No.80 standard capacity magenta ink cartridge (175ml ink)
	C4846-80131	No.80 high capacity (350ml ink) cyan ink cartridge
	C4846A	No.80 high capacity cyan ink cartridge (350ml ink)
	C4847-80132	No.80 high capacity magenta ink cartridge (350ml ink)
	C4847A	No.80 high capacity magenta ink cartridge (350ml ink)
	C4848-80134	No.80 high capacity yellow ink cartridge (350ml ink)
	C4848A	No.80 high capacity yellow ink cartridge (350ml ink)
	C4871-80125	No.80 high capacity black ink cartridge (350ml ink) - Same as C4871A



Other Accessories

Cartridge

C4871A No.80 high capacity black ink cartridge (350ml ink)

Deflector

C6079-60019 Media deflector - Rod used when optional take-up reel is installed

Ink System Return Kt

C4820-80100 Ink system return kit (Box and instructions) - For returning printheads, printhead cleaner, and ink cartridges under the CREW program

Ink and Printhead

C4890A No.80 high capacity black ink cartridge, printhead, and printhead cleaner bundl (350ml ink)

C4891A No.80 high capacity cyan ink cartridge, printhead, and printhead cleaner bundle (350ml ink)

C4892A No.80 high capacity magenta ink cartridge, printhead, and printhead cleaner bundle (350ml ink)

C4893A No.80 high capacity yellow ink cartridge, printhead, and printhead cleaner bundle (350ml ink)

Kit

C6072-60143 Maintenance Kit - Includes setup printheads, trailing cable, ISS housing foam, rubber gloves, oil applicator, carriage motor, drop detector, carriage assembly, drive belt, ink tube system, tensioner assembly, carriage height tool, & trailing cable clip

Lubricant

6040-0854 Synthetic Oil (1/2oz Plastic Bottle - for lubricating the front and rear slider rods)

6040-0855 Synthetic oil - 4oz (113g) plastic bottle

C3190-60155 Grease - For helical gear (Drive roller gear)

C6071-60177 Oil applicator - Contains synthetic oil

C6072-60047 Overdrive oil kit

Manual

5959-9734 Comparison guide for HP-GL/2 and RTL peripherals (English)

C6071-90101 DesignJet 1050C and 1055CM users guide (English)

C6071-90102 DesignJet 1050C and 1055CM users guide (Korean)

C6071-90103 DesignJet 1050C and 1055CM users guide (Taiwanese)

C6071-90104 DesignJet 1050C and 1055CM users guide (German)

C6071-90105 DesignJet 1050C and 1055CM users guide (French)

C6071-90106 DesignJet 1050C and 1055CM users guide (Spanish)

C6071-90107 DesignJet 1050C and 1055CM users guide (Italian)

C6071-90108 DesignJet 1050C and 1055CM users guide (Japanese)

C6071-90109 DesignJet 1050C and 1055CM users guide (Portuguese)

C6071-90110 DesignJet 1050C and 1055CM users guide (Chinese)

C6071-90111 DesignJet 1050C and 1055CM users guide (Czech)

C6071-90112 DesignJet 1050C and 1055CM users guide (Greek)

C6071-90113 DesignJet 1050C and 1055CM users guide (Hungarian)

C6071-90114 DesignJet 1050C and 1055CM users guide (Polish)

C6071-90115 DesignJet 1050C and 1055CM users guide (Russian)

C6071-90117 DesignJet 1050C and 1055CM users guide (Turkish)

C6079-90001 C6079A take-up reel users guide (English)

C6079-90002 C6079A take-up reel users guide (Korean)

C6079-90003 C6079A take-up reel users guide (Taiwanese)

C6079-90004 C6079A take-up reel users guide (German)

C6079-90005 C6079A take-up reel users guide (French)



Other Accessories

Manual

C6079-90006	C6079A take-up reel users guide (Spanish)
C6079-90007	C6079A take-up reel users guide - No longer available - See the DesignJet 1050C and 1055CM user's guide (Italian) NO LONGER SUPPLIED
<i>C6071-90117</i>	<i>New Part for C6079-90007</i>
C6079-90008	C6079A take-up reel users guide (Japanese)
C6079-90009	C6079A take-up reel users guide (Portuguese)
C6079-90010	C6079A take-up reel users guide (Chinese)
C6079-90011	C6079A take-up reel users guide (Czechoslovakian)
C6079-90012	C6079A take-up reel users guide (Greek)
C6079-90013	C6079A take-up reel users guide (Hungarian)
C6079-90014	C6079A take-up reel users guide (Polish)
C6079-90015	C6079A take-up reel users guide (Russian)
C6079-90017	C6079A take-up reel users guide (Turkish)
C6071-90241	DesignJet 1050C and 1055CM quick reference guide (English)
C6071-90000	DesignJet 1050C and 1055CM service manual (English)
C6071-60341	DesignJet 1050C/1055CM documentation CD-ROM (English) - Contains on-screen movies and users documentation
C6071-60344	DesignJet 1050C/1055CM documentation CD-ROM (German) - Contains on-screen movies and users documentation
C6071-60345	DesignJet 1050C/1055CM documentation CD-ROM (French) - Contains on-screen movies and users documentation
C6071-60346	DesignJet 1050C/1055CM documentation CD-ROM (Spanish) - Contains on-screen movies and users documentation
C6071-60347	DesignJet 1050C/1055CM documentation CD-ROM (Italian) - Contains on-screen movies and users documentation
C6071-60349	DesignJet 1050C/1055CM documentation CD-ROM (Portuguese) - Contains on-screen movies and users documentation

Manual Kit

C6071-60241	Manual kit - Includes setup guide, quick reference guide, and assembly instructions (English)
C6071-60242	Manual kit - Includes setup guide, quick reference guide, and assembly instructions (Korean)
C6071-60243	Manual kit - Includes setup guide, quick reference guide, and assembly instructions (Taiwan)
C6071-60244	Manual kit - Includes setup guide, quick reference guide, and assembly instructions (German)
C6071-60245	Manual kit - Includes setup guide, quick reference guide, and assembly instructions (French)
C6071-60246	Manual kit - Includes setup guide, quick reference guide, and assembly instructions (Spanish)
C6071-60247	Manual kit - Includes setup guide, quick reference guide, and assembly instructions (Italian)
C6071-60249	Manual kit - Includes setup guide, quick reference guide, and assembly instructions (Portuguese)
C6071-60250	Manual kit - Includes setup guide, quick reference guide, and assembly instructions (Chinese)
C6072-60368	Manual kit - Includes setup guide, quick reference guide, and assembly instructions (Japanese)

Mount

C6079-60017	Left take-up reel spindle mount assembly
C6079-60018	Right take-up reel spindle mount assembly

Printhead

C6071-60167	Setup Printheads - Used to remove air and prime the ink system (4 used)
-------------	---

Printhead Kit

C4820-80034	No.80 black printhead and printhead cleaner bundle
C4820A	No.80 black printhead and printhead cleaner bundle
C4821-80011	No.80 cyan printhead and printhead cleaner bundle
C4821A	No.80 cyan printhead and printhead cleaner bundle
C4822-80009	No.80 magenta printhead and printhead cleaner bundle



Other Accessories

Printhead Kit

- C4822A No.80 magenta printhead and printhead cleaner bundle
- C4823-80014 No.80 yellow printhead and printhead cleaner bundle
- C4823A No.80 yellow printhead and printhead cleaner bundle

Sensor

- C6079-60016 Sensor assembly for take-up reel

Software

- C6072-60281 Toolbox and driver software - HP-GL/2 and RTL drivers for Windows 3.1/95/98/NT 4.0 (all DesignJets), and toolbox software for Windows 95/NT 4.0 (Only for DesignJet 430/450C/455CA/1050C/1055CM) - On 3.5-inch 1.44MB floppy disks (English)
- C6072-60284 Toolbox and driver software - HP-GL/2 and RTL drivers for Windows 3.1/95/98/NT 4.0 (all DesignJets), and toolbox software for Windows 95/NT 4.0 (Only for DesignJet 430/450C/455CA/1050C/1055CM) - On 3.5-inch 1.44MB floppy disks (German)
- C6072-60285 Toolbox and driver software - HP-GL/2 and RTL drivers for Windows 3.1/95/98/NT 4.0 (all DesignJets), and toolbox software for Windows 95/NT 4.0 (Only for DesignJet 430/450C/455CA/1050C/1055CM) - On 3.5-inch 1.44MB floppy disks (French)
- C6072-60286 Toolbox and driver software - HP-GL/2 and RTL drivers for Windows 3.1/95/98/NT 4.0 (all DesignJets), and toolbox software for Windows 95/NT 4.0 (Only for DesignJet 430/450C/455CA/1050C/1055CM) - On 3.5-inch 1.44MB floppy disks (Spanish)
- C6072-60287 Toolbox and driver software - HP-GL/2 and RTL drivers for Windows 3.1/95/98/NT 4.0 (all DesignJets), and toolbox software for Windows 95/NT 4.0 (Only for DesignJet 430/450C/455CA/1050C/1055CM) - On 3.5-inch 1.44MB floppy disks (Italian)
- C6072-60301 HP-GL/2 driver software for AutoCAD - For DOS and Windows 3.1/95/NT 4.0 - On 3.5-inch 1.44MB floppy disks (English)
- C6072-60304 HP-GL/2 driver software for AutoCAD - For DOS and Windows 3.1/95/NT 4.0 - On 3.5-inch 1.44MB floppy disks (German)
- C6072-60305 HP-GL/2 driver software for AutoCAD - For DOS and Windows 3.1/95/NT 4.0 - On 3.5-inch 1.44MB floppy disks (French)
- C6072-60306 HP-GL/2 driver software for AutoCAD - For DOS and Windows 3.1/95/NT 4.0 - On 3.5-inch 1.44MB floppy disks (Spanish)
- C6072-60307 HP-GL/2 driver software for AutoCAD - For DOS and Windows 3.1/95/NT 4.0 - On 3.5-inch 1.44MB floppy disks (Italian)
- C6075-60201 DesignJet 1050C/1055CM PostScript driver software CD-ROM - For Windows 95/98/NT 4.0 and Apple/Macintosh - PostScript upgrade MUST be installed in 1050C first - Multilingual
- C6071-60368 ZEHRaster software for UNIX - Allows TIFF and JPEG printing on DesignJet 700 series, 1000 series, and CP series (Japanese)
- C7779-60040 ZEHRaster software for UNIX - Allows TIFF and JPEG printing on DesignJet 700 series, 1000 series, and CP series (Chinese)
- C7779-60041 ZEHRaster software for UNIX - Allows TIFF and JPEG printing on DesignJet 700 series, 1000 series, and CP series (English)
- C7779-60042 ZEHRaster software for UNIX - Allows TIFF and JPEG printing on DesignJet 700 series, 1000 series, and CP series (Korean)
- C7779-60043 ZEHRaster software for UNIX - Allows TIFF and JPEG printing on DesignJet 700 series, 1000 series, and CP series (Taiwanese)
- C7779-60044 ZEHRaster software for UNIX - Allows TIFF and JPEG printing on DesignJet 700 series, 1000 series, and CP series (German)
- C7779-60045 ZEHRaster software for UNIX - Allows TIFF and JPEG printing on DesignJet 700 series, 1000 series, and CP series (French)
- C7779-60046 ZEHRaster software for UNIX - Allows TIFF and JPEG printing on DesignJet 700 series, 1000 series, and CP series (Spanish)
- C7779-60047 ZEHRaster software for UNIX - Allows TIFF and JPEG printing on DesignJet 700 series, 1000 series, and CP series (Italian)



Other Accessories

Spindle Kit

C6078A E/A0 Spindle kit for DesignJet 1000 series printer

Take-Up Reel

C6079A Take-up reel kit for HP DesignJet 1000 Series - Allows printed media to be automatically rolled while printing - Includes spindle, spindle drive, media deflector, and documentation

Tool

C6071-60153 Carriage interconnect wiper (flex cleaner) - Handheld tool used to clean the electrical contacts for the printheads

Other Internal Parts

Air Pressure System

176 C6072-60016 Air pressurization system (APS) - Includes pump, valve, pressure sensor, and APS housing

Cleaner

177 C4820-60015 Black printhead cleaner

178 C4821-60005 Cyan printhead cleaner

179 C4822-60059 Magenta printhead cleaner

180 C4823-60003 Yellow printhead cleaner

Drop Detector

181 C6072-60179 Drop detector assembly - Includes spittoon foam - Installed in service station assembly

Fan

182 C6072-60159 Vacuum/aerosol fan assembly - Installed on right side of printer chassis

Guide

183 C6072-60189 Center guide and media sensor

184 C6072-60194 Front guide assembly

185 C6072-60195 Tube guide assembly

Ink Supply Station

186 C6072-60015 Ink Supply Station (ISS) - Has 4 slots for ink cartridges

Ink Tube System

C6074-60342 Ink Tube System - Includes setup printheads, ink collector, carrier clip, nye oil, ink supply station housing foam

Leak Detector

C6071-60168 Ink leak detector system (LDS) - Includes ink collector, leak sense cable, leak sense cable clip

Printhead

C6071-60167 Setup Printheads - Used to remove air and prime the ink system (4 used)

Sensor

190 C6072-60190 Media sensor

Service Station

191 C6072-60178 Service station assembly - Includes drop detector assembly

Support

192 C6072-60192 Left arc assembly

193 C6072-60193 Right arc assembly

Trim

C6072-60173 Left trim - On the left arc

195 C6072-60174 Right trim - On the right arc



Paper Drive Parts

ARSS Assembly

285 C6072-60150 Automatic roll sheet switch (ARSS) assembly - Small, long roller and housing - Used to feed cut sheet media

ARSS Parts Kit

286 C6071-60155 Automatic roll sheet switch (ARSS) parts kit - ARSS torsion spring, ARSS axle gear, ARSS switch lever

Clutch

C6072-60151 Clutch assembly - Includes lever, 2 gears, a spring, and the shaft that they ride on

Guide

288 C6072-60163 Drive roller guide - Includes drive roller guide and media guide strip

Handle

289 C6072-60152 Handle for automatic roll sheet switch (ARSS) assembly

Motor

290 C6072-60160 Paper drive motor - Includes helical drive gear and mounting bracket - Installed on Right Side of Printer Chassis

Pinch Assembly

291 C6072-60009 Pinch Assembly - Includes pinch cam, pinch rollers, springs

Platen

292 C6072-60161 Center Platen Assembly - Includes overdrive rollers and screws

293 C6072-60162 Front Platen Assembly - Long, curved item without rollers - Includes platen and screws

Roll Feed Brake

294 C6072-60156 Right roll feed brake - Installed in right roll feed module

295 C6072-60157 Left roll feed brake - Installed in left roll feed module

Roll Feed Module

296 C6072-60155 Right roll feed module

297 C6072-60158 Left roll feed module

Roller

298 C6072-60154 Entry roller - Large, long roller at front of printer

299 C6072-60191 Paper drive roller assembly - Includes drive roller, roller gear, and roller bracket

Spindle

300 C6072-60126 E/A0 rollfeed spindle assembly - Includes end caps

Strip

301 C6072-60391 Media guide strip

Paper and Other Media

Canvas

C6771A Studio canvas (368 gsm) - 91.4cm (36in) x 10.7m (35ft) roll - For regular ink or UV resistant ink

C7966A Canvas with Matte finish - 61cm (24in) x 10.7m (35ft) (USA)

C7967A Canvas with Matte finish - 91.4cm (36in) x 10.7m (35ft) (USA)

Q1718A Canvas Paper (140 gsm) - 91.4cm (36in) x 10.7m (35ft) (USA)

Q1724A Canvas Paper (180 gsm) - 91.4cm (36in) x 10.7m (35ft) (USA)

Film (Clear)

C3876A Clear film (4 mil) - 61cm (24in) x 22.9m (75ft) roll

C3875A Clear film (4 mil) - 91.4cm (36in) x 22.9m (75ft) roll

Film (Cling)

Q1914A Two View Cling film - 91.4cm (36in) x 22.9m (75ft)

Q1915A Two View Cling film - 106.7cm (42in) x 22.9m (75ft)



Paper and Other Media

Film (Glossy)

C6794A Durable Imaging Glossy UV media - For UV ink only - 91.4cm (36in) x 30.5m (100ft) roll

Film (Matte)

C7909A Double Matte Eraseable Film - 61cm (24in) x 38.1m (125ft) (USA)

C7910A Double Matte Eraseable Film - 76.2cm (30in) x 38.1m (125ft) (USA)

C7911A Double Matte Eraseable Film - 91.4cm (36in) x 38.1m (125ft) (USA)

Q1736A Polyester Film White Matte - 91.4cm (36in) x 15.2m (50ft) (USA)

51642A Polyester matte film - 61cm (24in) x 36.6m (120ft) roll

51642B Polyester matte film - 91.4cm (36in) x 36.6m (120ft) roll

Film (Opaque)

C7955A Opaque White Glossy Polyester Film - 61cm (24in) x 15.2m (50ft) (USA)

C7956A Opaque White Glossy Film - 91.4cm (36in) x 15.2m (50ft) (USA)

Paper

C7919A Basic bond paper - 61cm (24in) x 45.7m (150ft)

C7921A Basic bond paper - 91.4cm (36in) x 45.7m (150ft)

C7922A Basic Bond paper - 106.7cm (42in) x 45.7m (150ft)

C7923A Basic Heavyweight Paper - 61cm (24in) x 30.5m (100ft) (USA and Asia/Pacific)

C7924A Basic Heavyweight Paper - 91.4cm (36in) x 30.5m (100ft) (USA and Asia/Pacific)

C7929A Super Heavyweight Paper - 61cm (24in) x 22.9m (75ft) (USA and Asia/Pacific)

C7930A Super Heavyweight Paper - 91.4cm (36in) x 22.9m (75ft) (USA and Asia/Pacific)

Q1396A Universal Bond Paper - 61cm (24in) x 30.5m (100ft)

Q1397A Universal Bond Paper - 91.4cm (36in) x 30.5m (100ft)

Q1398A Universal Bond Paper - 106.7cm (42in) x 30.5m (100ft)

Q1721A Embossed Paper (140 gsm) - 91.4cm (36in) x 10.7m (35ft) (USA)

Q1733A Indoor Self Adhesive Paper - 91.4cm (36in) x 22.9m (75ft) (USA)

Q1739A Heat Transfer Paper - 91.4cm (36in) x 30.5m (100ft) (USA)

Q1903A Polypropylene with Matte finish - 91.4cm (36in) x 22.9m (75ft)

Q1904A Polypropylene with Matte finish - 106.7cm (42in) x 22.9m (75ft)

Q1906A Polypropylene with Matte finish - 137.2cm (54in) x 22.9m (75ft)

Q1907A Polypropylene with Matte finish - 152.4cm (60in) x 22.9m (75ft)

Q1908A Polypropylene Adhesive Back print media - 91.4cm (36in) x 21.3m (70ft)

Q1909A Polypropylene Adhesive Back print media - 106.7cm (42in) x 21.3m (70ft)

Paper (Banner)

C6786A Banner paper with Tyvek (140 gsm) - UV ink only - 61cm (24in) x 15.2m (50ft) roll
NO LONGER SUPPLIED

C6787A Banner paper with Tyvek (140 gsm) - UV ink only - 91.4cm (36in) x 15.2m (50ft) roll

Paper (Bright White)

C1861A Bright white InkJet paper - 91.4cm (36in) x 45.7m (150ft) roll

C1860A Bright white InkJet paper - 61cm (24in) x 45.7m (150ft) roll

C6035A Bright white InkJet paper - 61cm (24in) x 45.7m (150ft) roll

C6036A Bright white InkJet paper - 91.4cm (36in) x 45.7m (150ft) roll

C6810A Bright white InkJet paper - 91.4cm (36in) x 91.4m (300ft) roll

Paper and Other Media**Paper (Coated)**

C6980A	Coated paper (98 gsm) - 91.4cm (36in) x 91.4m (300ft) roll (USA, Canada, and Latin America)
C7873A	Heavyweight Coated Paper - 91.4cm (36in) x 4.6m (15ft)
C8281A	Basic Coated Paper - 61cm (24in) x 45.7m (150ft) (USA and Asia/Pacific)
C8282A	Basic Coated Paper - 91.4cm (36in) x 45.7m (150ft) roll (USA and Asia/Pacific)
Q1412A	Universal Heavyweight Coated paper - 61cm (24in) x 30.5m (100ft)
Q1413A	Universal Heavyweight Coated Paper - 91.4cm (36in) x 30.5m (100ft)
Q1416A	Heavyweight Coated Paper - 152.4cm (60in) x 30.5m (100ft)
Q1961A	Coated Paper - Architectural C size (18 x 24-inches) - 100 sheets
Q1962A	Coated Paper - Architectural D size (24 x 36-inches) - 100 sheets
C6019B	Coated paper (98 gsm) - 61cm (24in) x 45.7m (150ft) roll (USA, Canada, and Latin America)
C6021B	Heavyweight coated paper - 61cm (24in) x 30.5m (100ft) roll (USA, Canada, and Latin America) NO LONGER SUPPLIED
C6029C	Heavyweight coated paper - 61cm (24in) x 30.5m (100ft) roll - For regular or UV resistant ink
C6020B	Coated paper (98 gsm) - 91.4cm (36in) x 45.7m (150ft) roll (USA, Canada, and Latin America)
C6022B	Heavyweight coated paper - 91.4cm (36in) x 30.5m (100ft) roll (USA, Canada, and Latin America) NO LONGER SUPPLIED
C6030C	Heavyweight coated paper - 91.4cm (36in) x 30.5m (100ft) roll - For regular or UV resistant ink

Paper (Fabric)

Q1918A	Viscose Paper-Back Fabric print media - 91.4cm (36in) x 10.1m (33ft)
Q1919A	Viscose Paper-Back Fabric print media - 106.7cm (42in) x 10.1m (33ft)
Q1920A	Viscose Paper-Back Fabric print media - 137.2cm (54in) x 10.1m (33ft)

Paper (Glossy)

C8315A	High Gloss Photo Paper - 61cm (24in) x 30.5m (100ft) (USA and Asia/Pacific)
C8316A	High Gloss Photo Paper - 91.4cm (36in) x 30.5m (100ft) (USA and Asia/Pacific)
Q1426A	Universal High-Gloss Photo Paper - 61cm (24in) x 30.5m (100ft)
Q1427A	Universal High-Gloss Photo Paper - 91.4cm (36in) x 30.5m (100ft)
Q1428A	Universal High-Gloss Photo Paper - 106.7cm (42in) x 30.5m (100ft)
Q1429A	Universal High-Gloss Photo Paper - 137.2cm (54in) x 30.5m (100ft)
Q1430A	Universal High-Gloss Photo Paper - 152.4cm (60in) x 30.5m (100ft)
C6814A	High gloss photo paper - 91.4cm (36in) x 30.5m (100ft) roll

Paper (Photo)

C6813A	High gloss photo paper - 61cm (24in) x 30.5m (100ft) roll
C7874A	High Gloss Photo Paper - 91.4cm (36in) x 3.0m (10ft)
C7946A	Photo Paper RC Matte - 91.4cm (36in) x 30.5m (100ft) (USA)
C8310A	Basic Photo Satin paper - 61cm (24in) x 30.5m (100ft) (USA and Asia/Pacific)
C8311A	Basic Photo Satin paper - 91.4cm (36in) x 30.5m (100ft) (USA and Asia/Pacific)
Q1420A	Semi-Gloss Photo Paper - 61cm (24in) x 30.5m (100ft)
Q1421A	Semi-Gloss Photo Paper - 91.4cm (36in) x 30.5m (100ft)
Q1422A	Semi-Gloss Photo Paper - 106.7cm (42in) x 30.5m (100ft)
Q1424A	Semi-Gloss Photo Paper - 152.4cm (60in) x 30.5m (100ft)

Paper (Poster)

C7949A	Outdoor Billboard Paper - Blue back - 91.4cm (36in) x 30.5m (100ft) (USA)
--------	---



Paper and Other Media

Paper (Satin)

C7952A Proofing Paper RC Satin - 91.4cm (36in) x 30.5m (100ft) (USA)

Paper (Semi-Glossy)

Q1423A Semi-Gloss Photo Paper - 137.2cm (54in) x 30.5m (100ft)

Paper (Tracing)

C3869A Natural tracing paper - 61cm (24in) x 45.7m (150ft) roll

C3868A Natural tracing paper - 91.4cm (36in) x 45.7m (150ft) roll

Paper (Translucent)

C3860A Translucent bond paper - 61cm (24in) x 45.7m (150ft) roll

C3859A Translucent bond paper - 91.4cm (36in) x 45.7m (150ft) roll

Vellum

C3862A Vellum - 61cm (24in) x 45.7m (150ft) roll

C3861A Vellum - 91.4cm (36in) x 45.7m (150ft) roll

Vinyl (Adhesive)

C6775A Colorfast adhesive vinyl (328 gsm) - 91.4cm (36in) x 12.2m (40ft) roll - For regular ink or UV-resistant ink

Stand Parts

Bin

³⁰² C6072-60208 Media bin - Between printer stand legs

Cover

C6074-60275 Media bin cover - Used to protect high gloss photo paper from scratches caused by contact with the media bin

Cross-Brace

³⁰⁴ C6072-60185 Cross-brace - Main structure that extends between stand legs

Foot

³⁰⁵ C6072-60182 Foot assembly (Includes casters)

Hardware Kit

C6072-60180 Hardware kit for printer stand - Includes screwdriver and screws

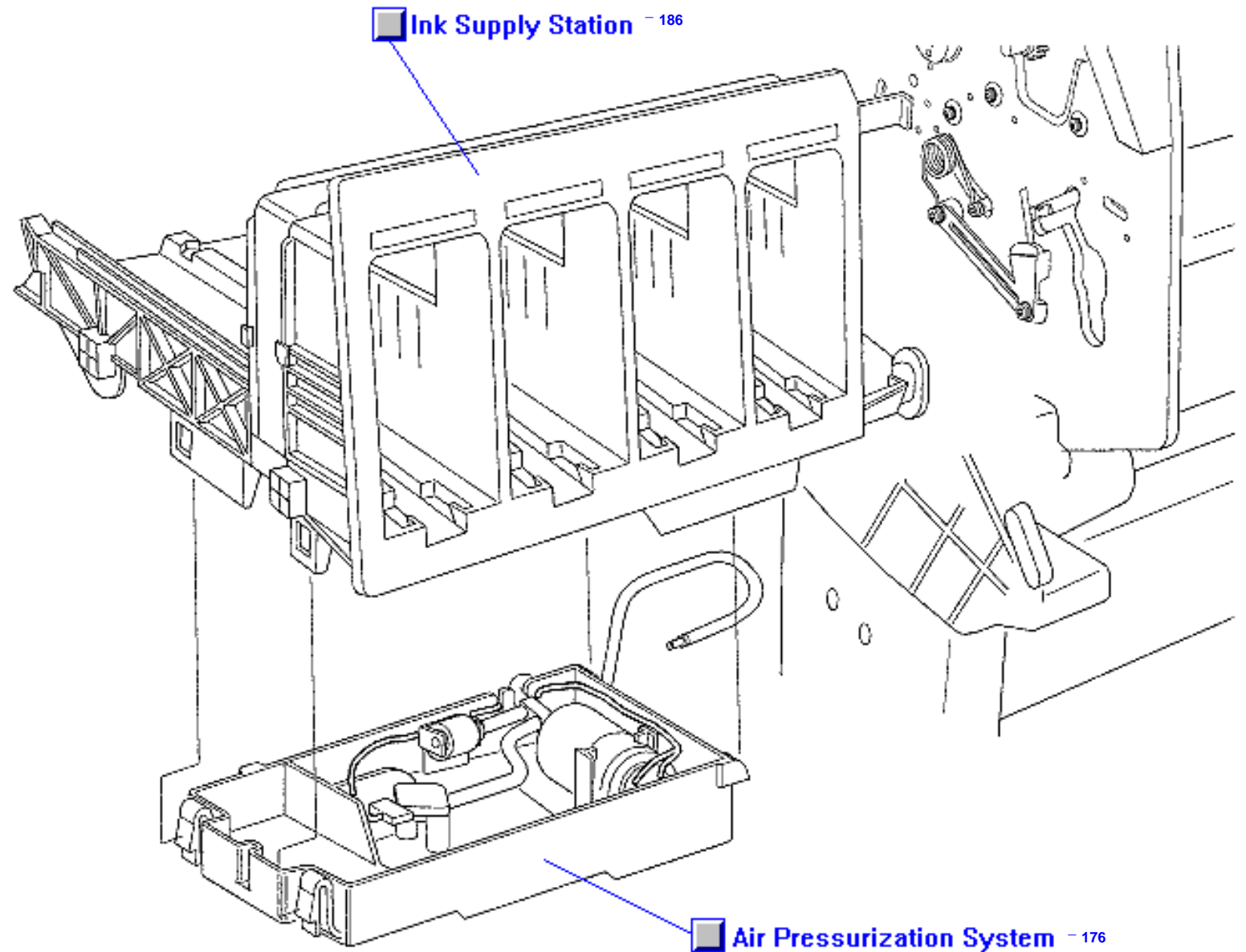
Leg

³⁰⁷ C6072-60184 Leg assembly - Side support for the printer - Does NOT include the foot assembly

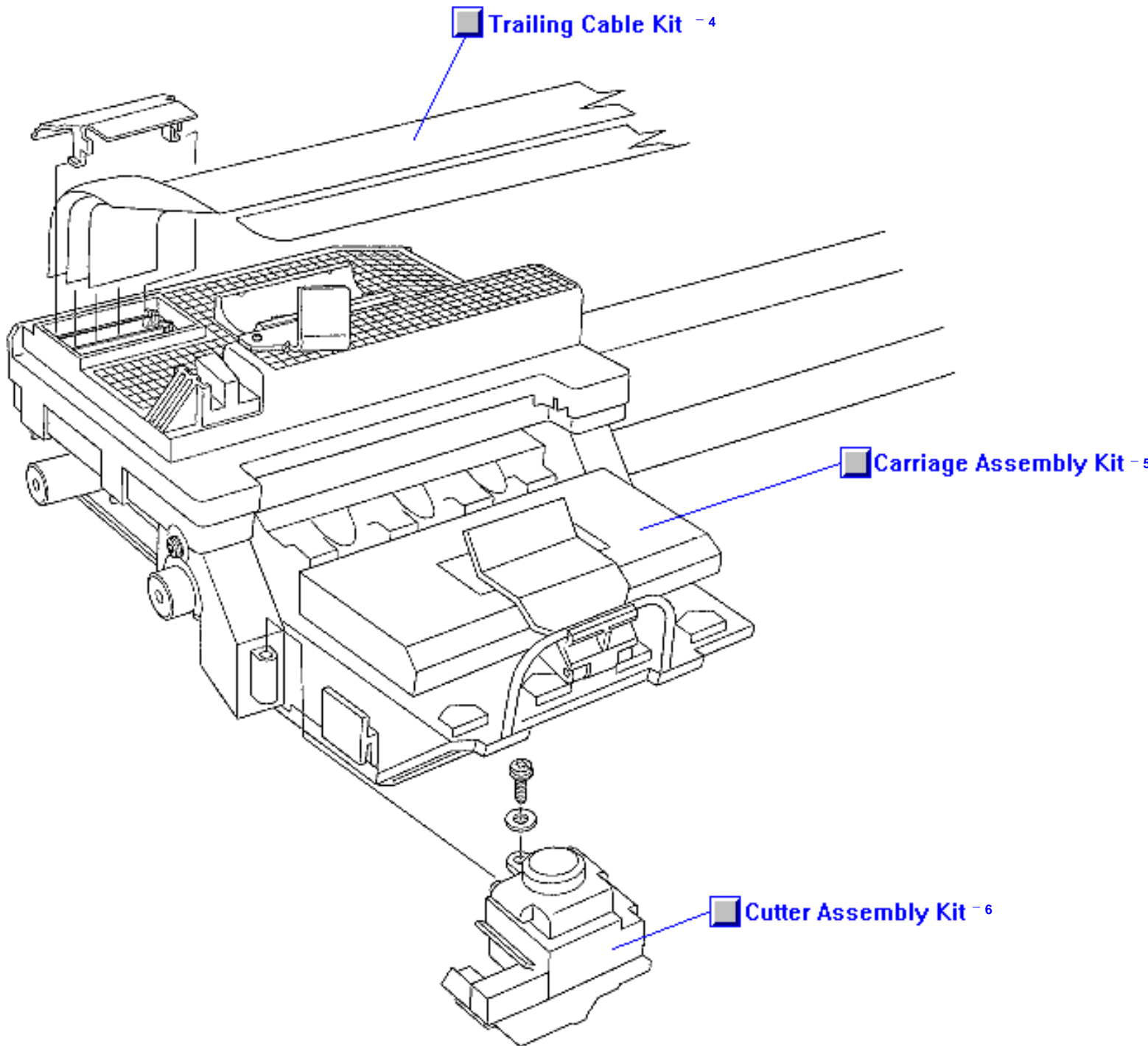
Tray

³⁰⁸ C6072-60183 Printer stand tray - Mounted between the feet of printer

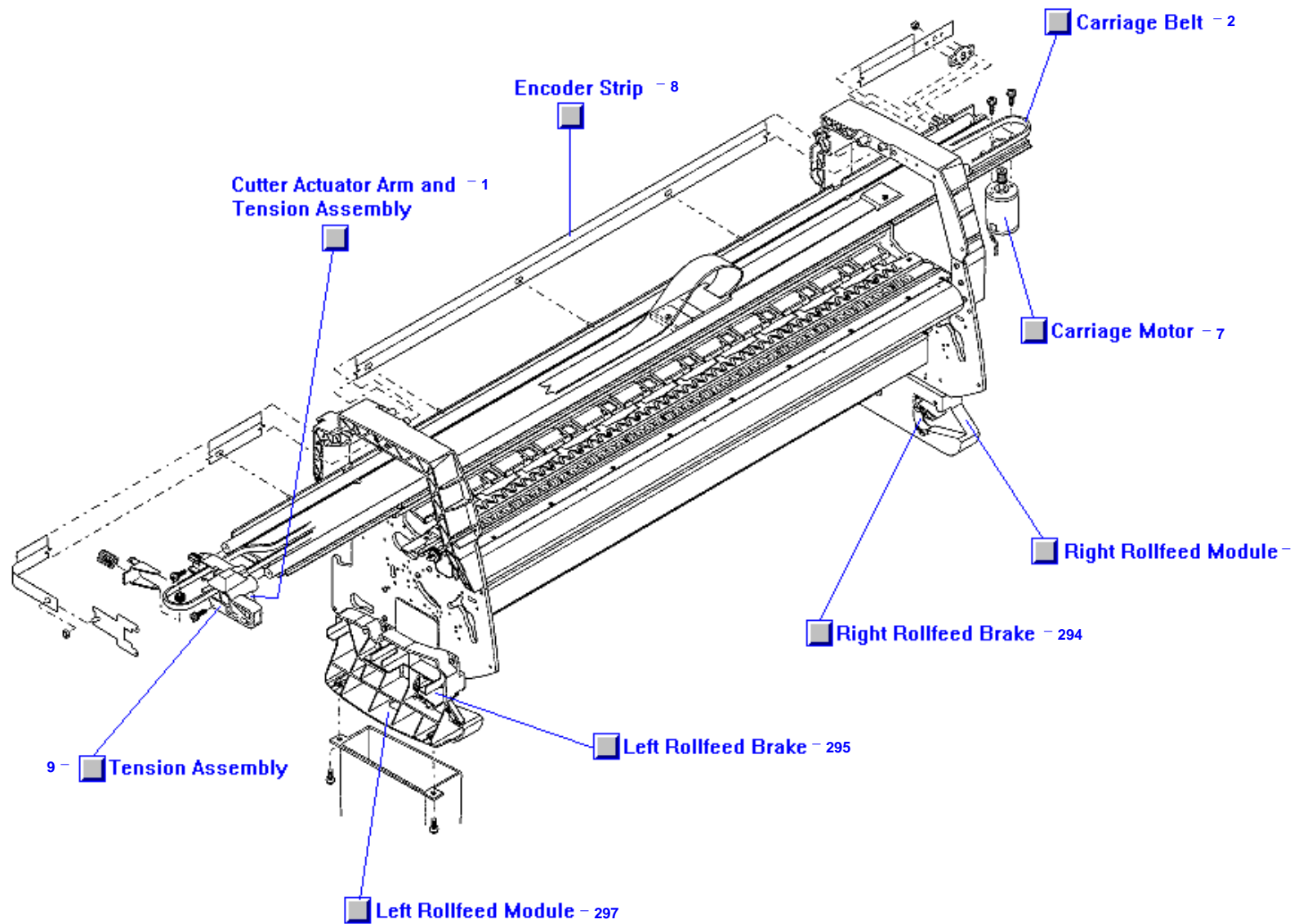
Air Pressurization System, Ink Supply Station



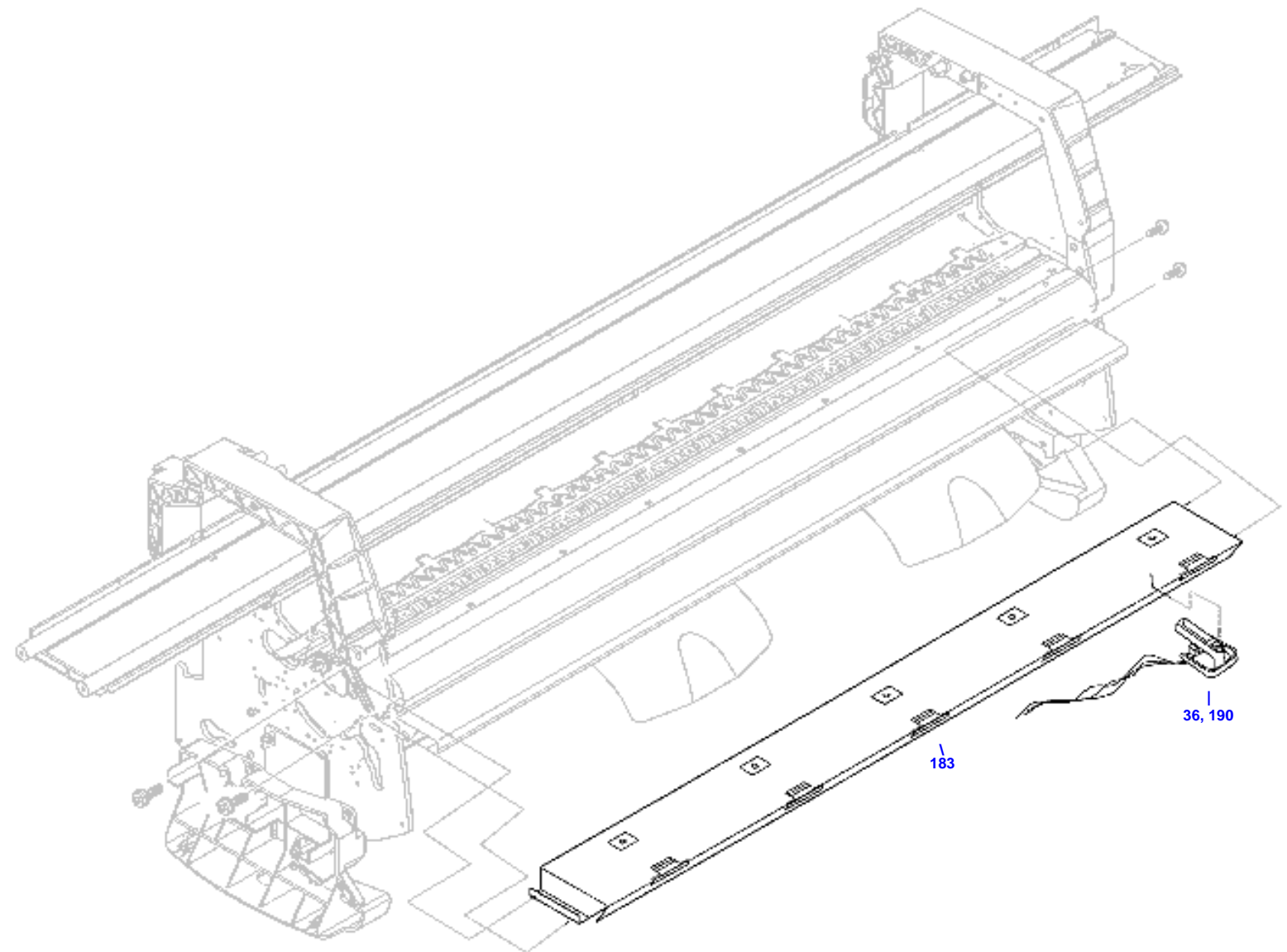
Carriage Assembly, Cutter Assembly, Trailing Cable



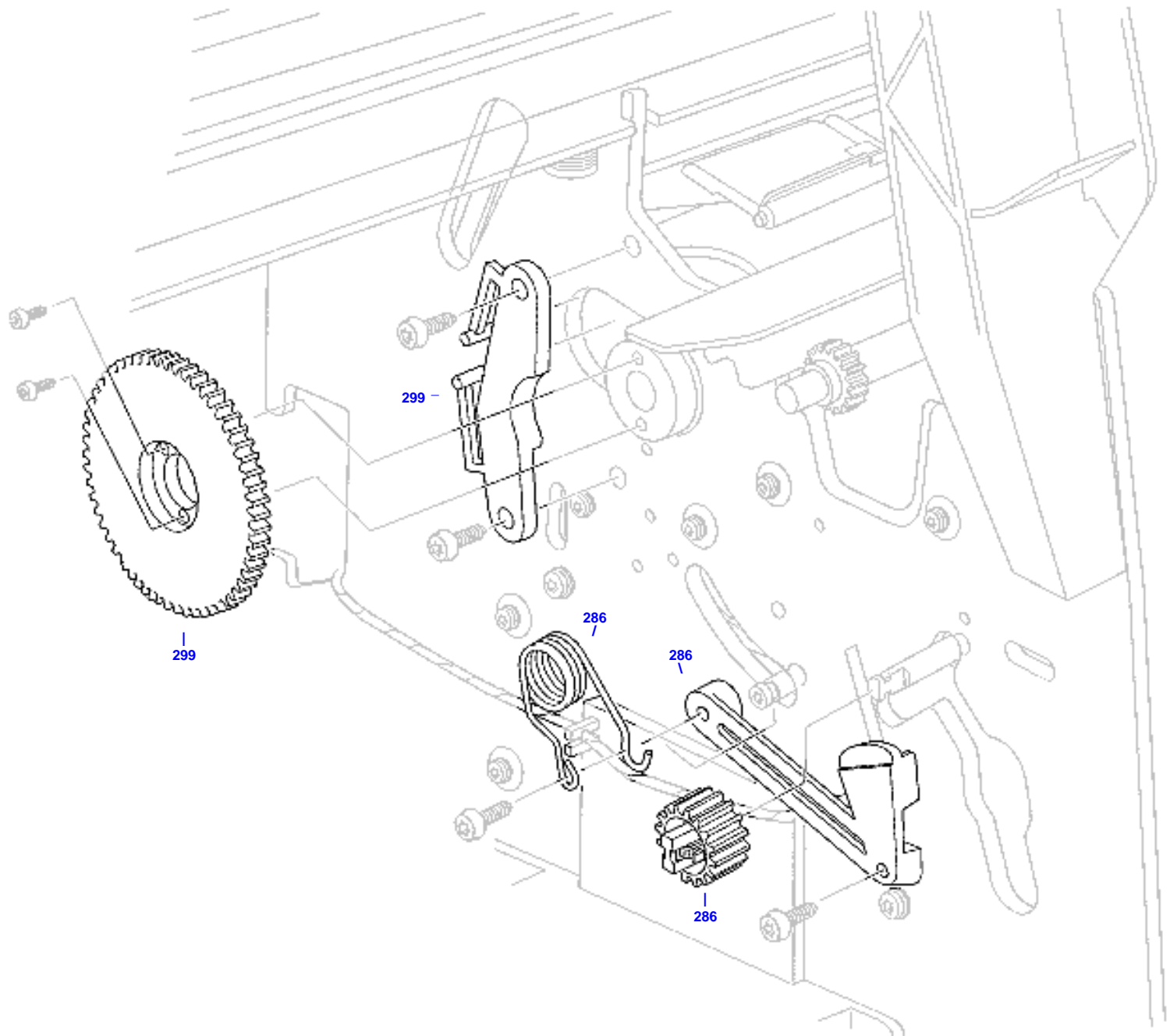
Carriage Motor, Carriage Belt, Encoder, Rollfeed



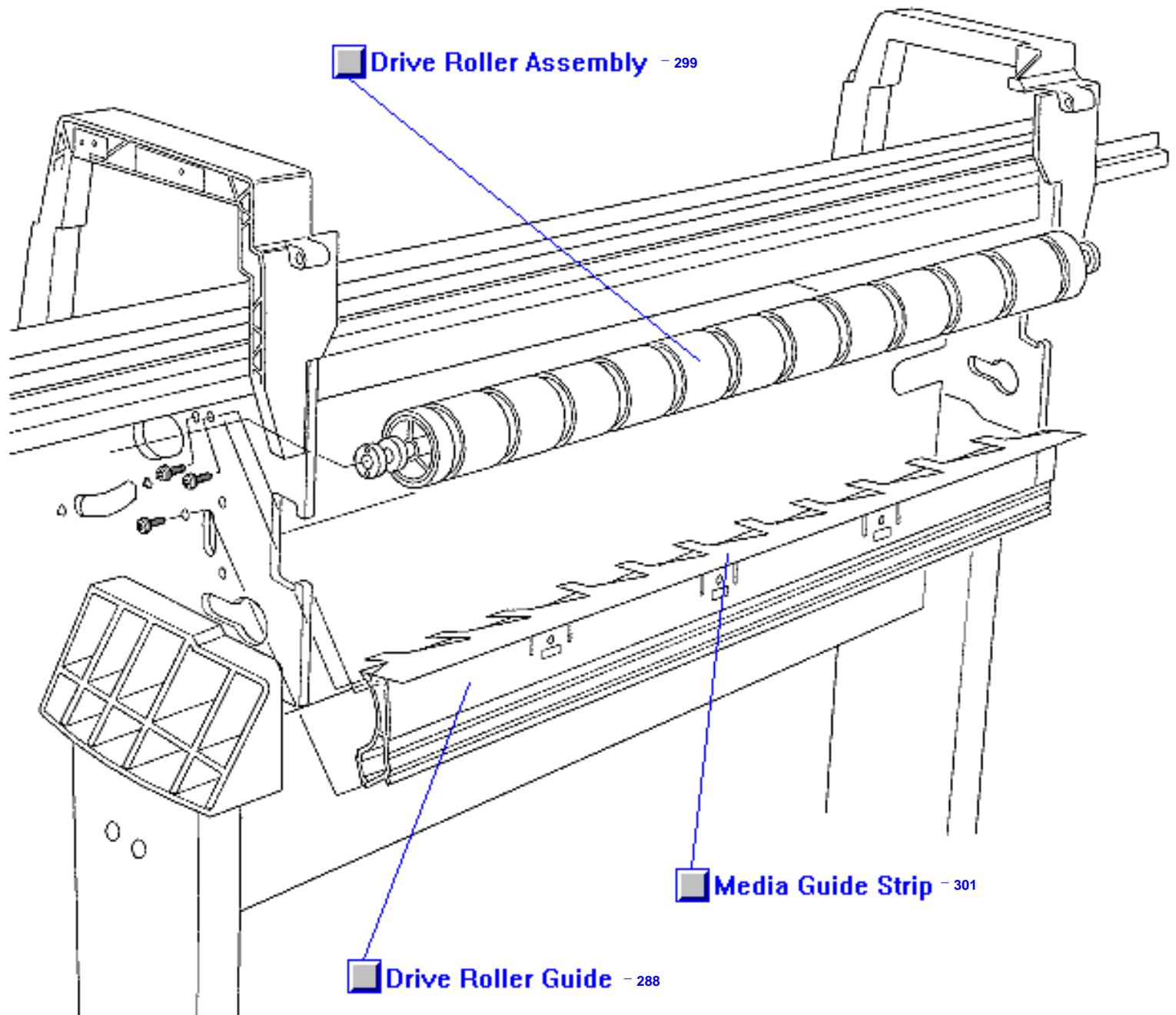
Center Guide and Media Sensor



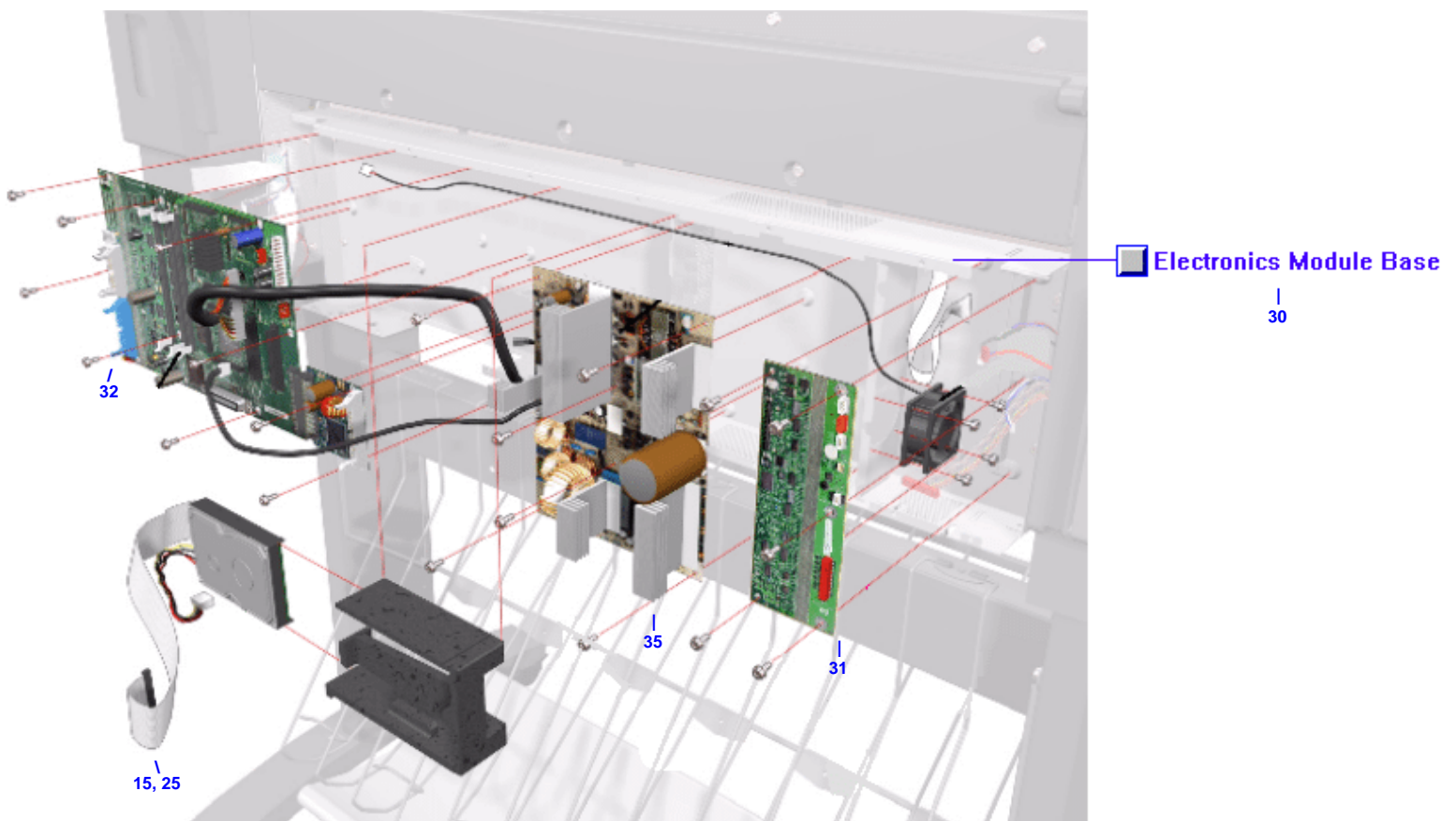
Drive Roller Gear and Miscellaneous ARSS Parts



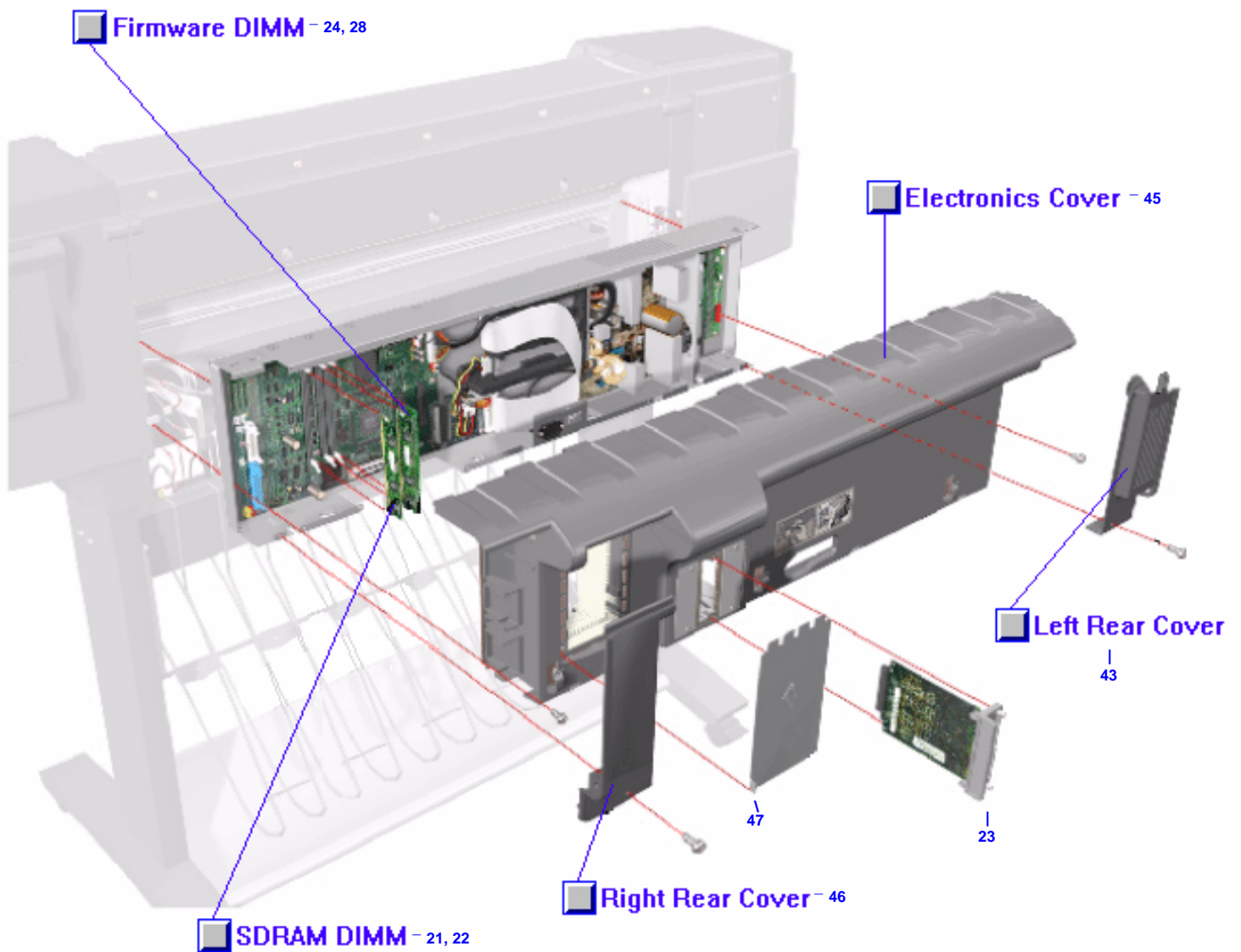
Drive Roller, Drive Roller Guide, Media Guide Strip



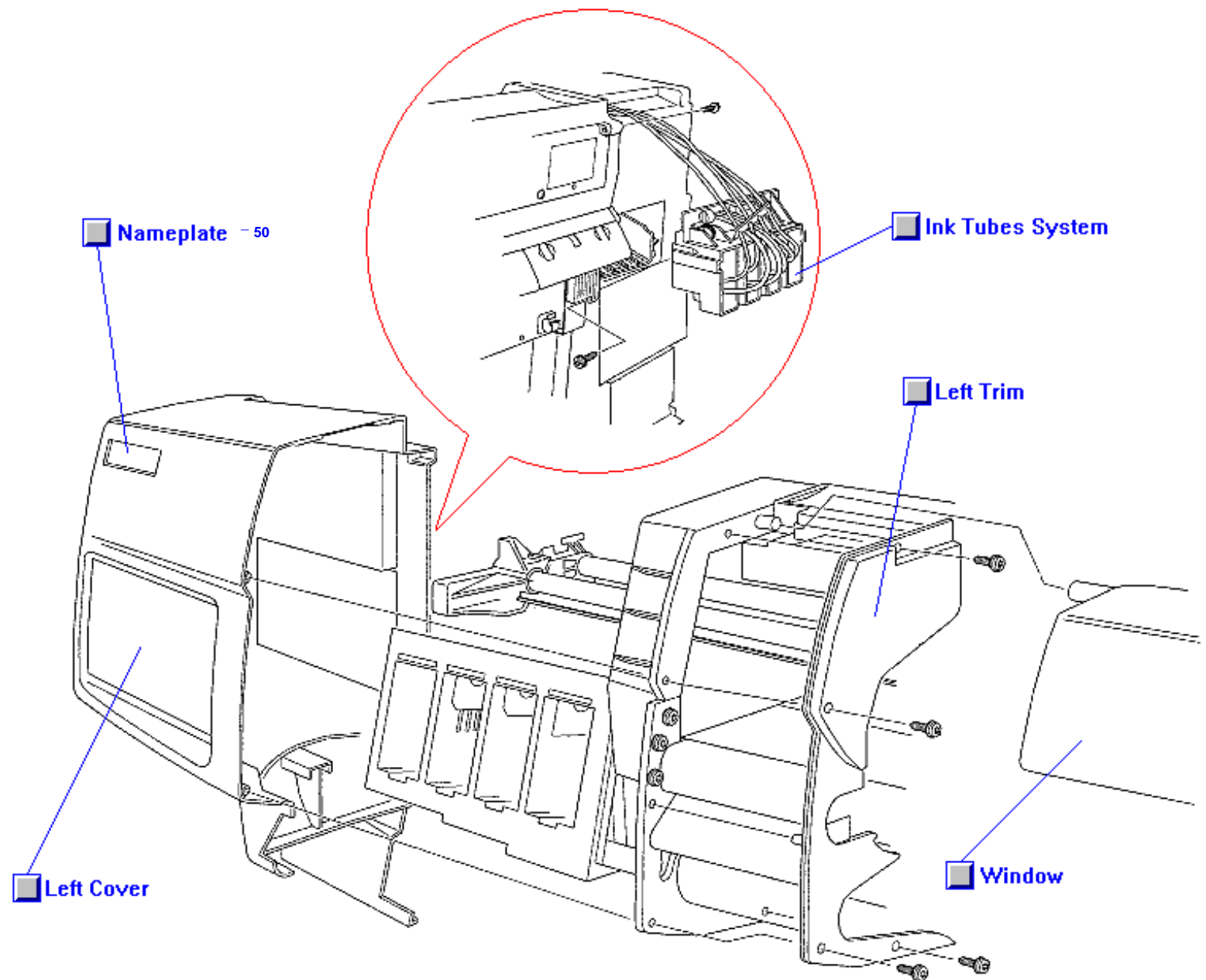
Electronics Module Components (1 of 2)



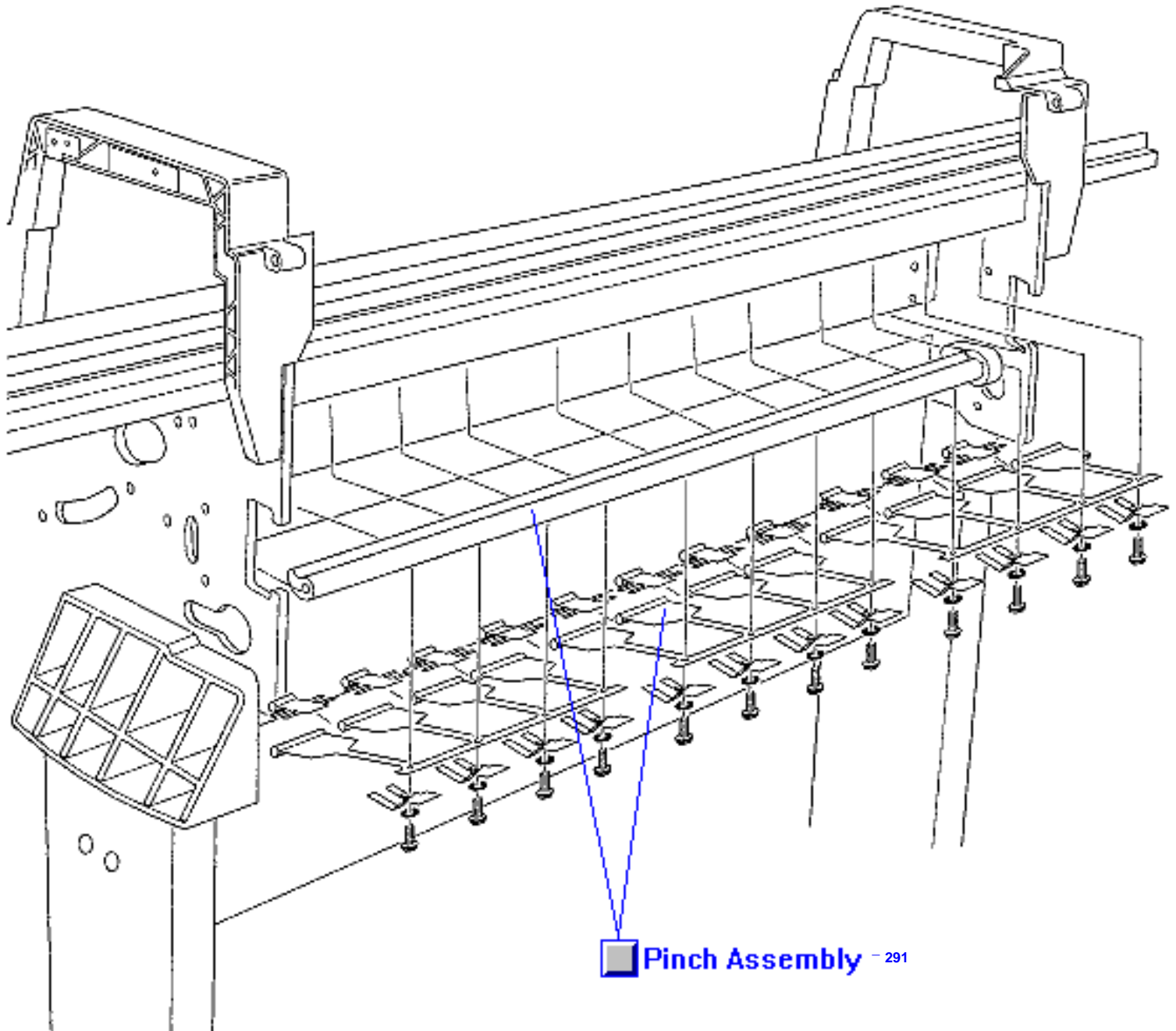
Electronics Module Components (2 of 2)



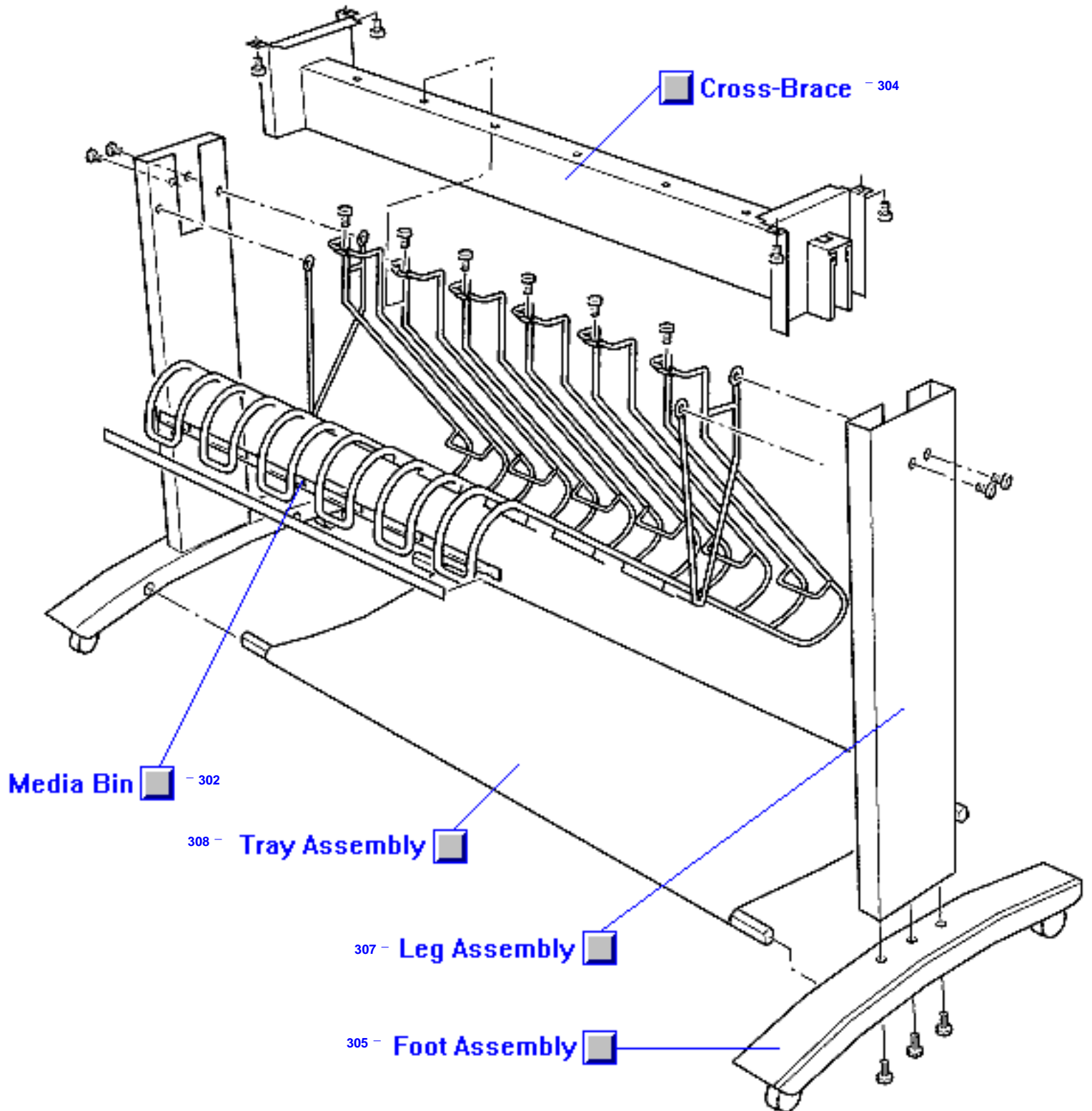
Left Cover, Ink Tubes System, Window



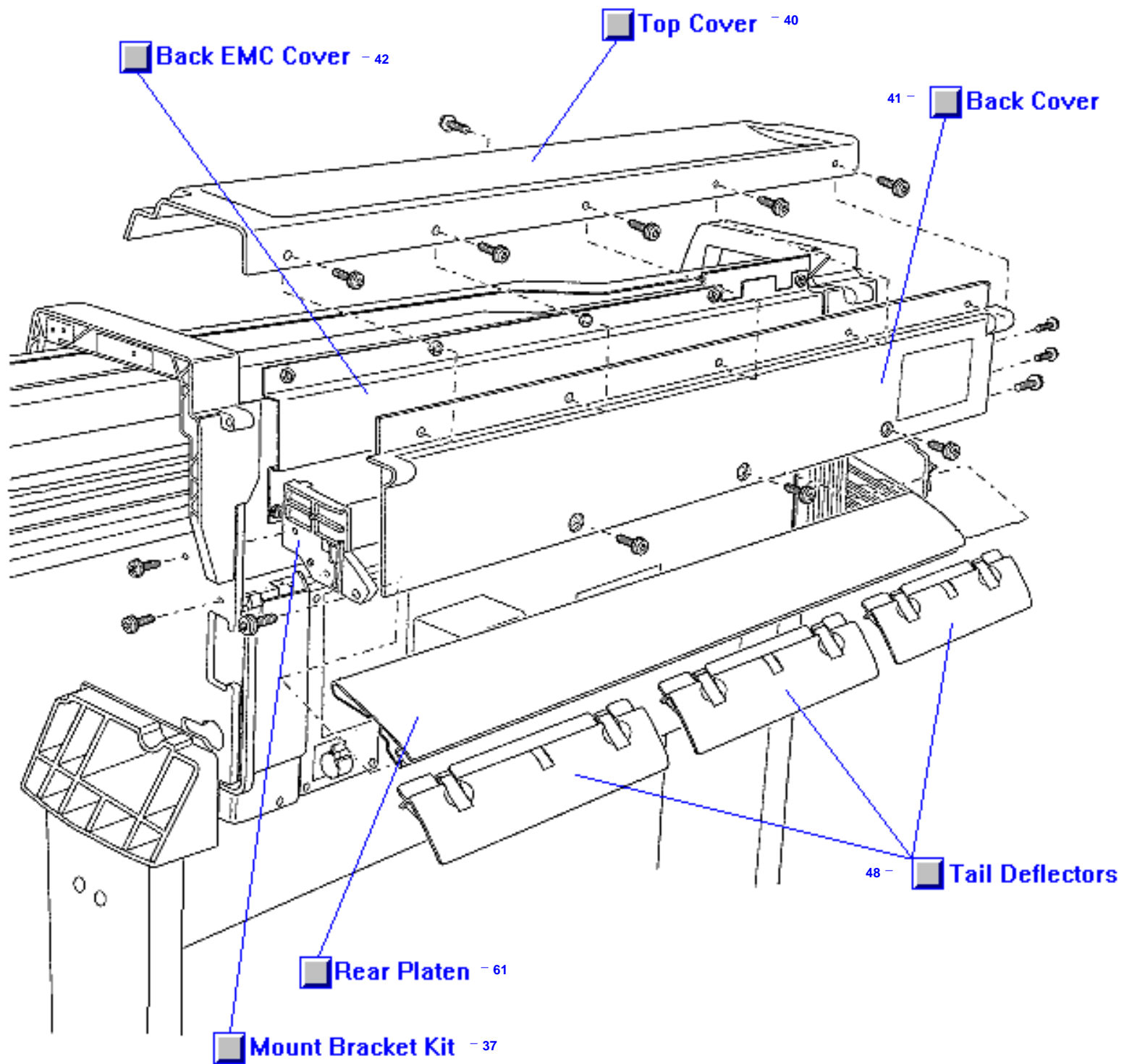
Pinch Assembly



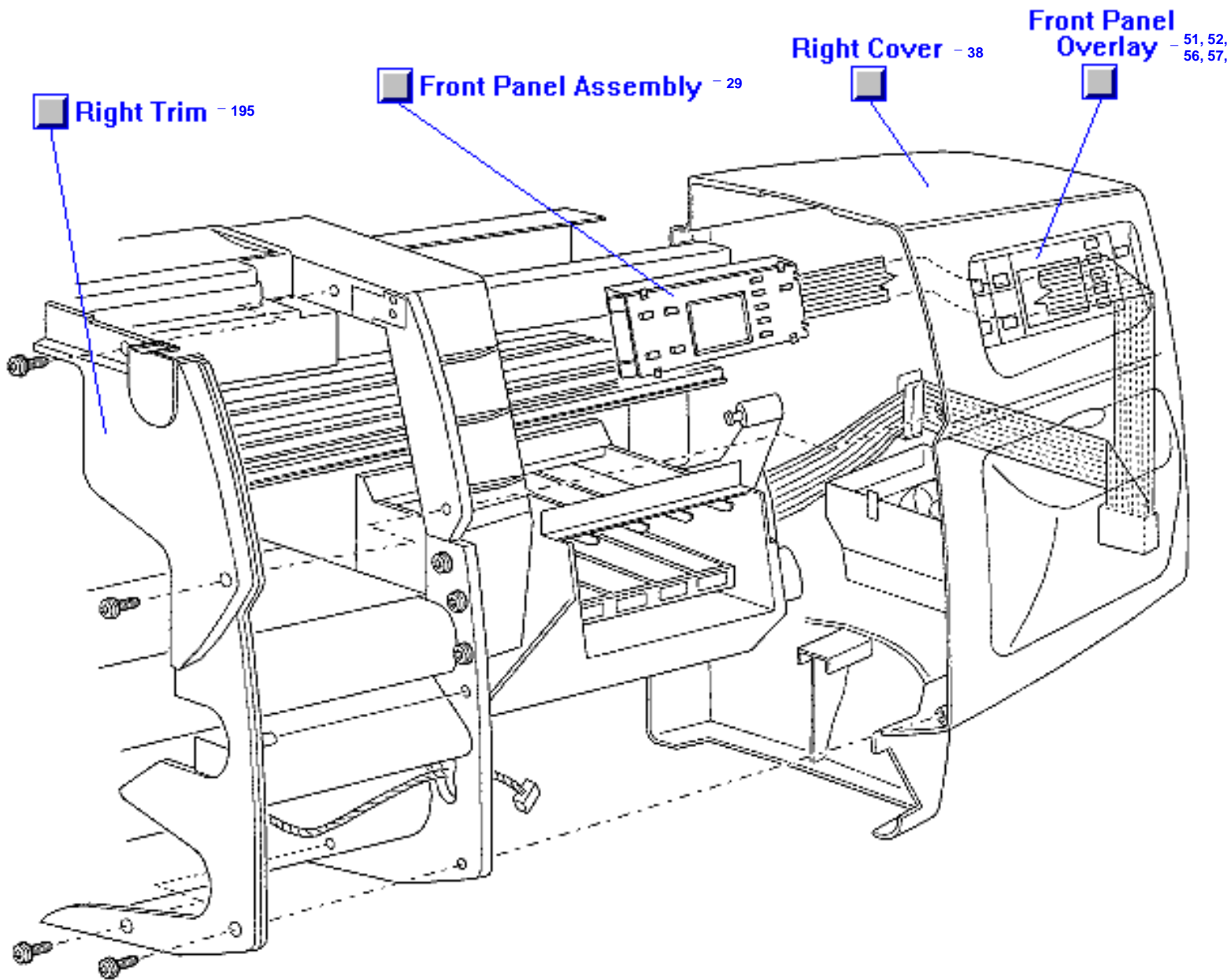
Printer Stand



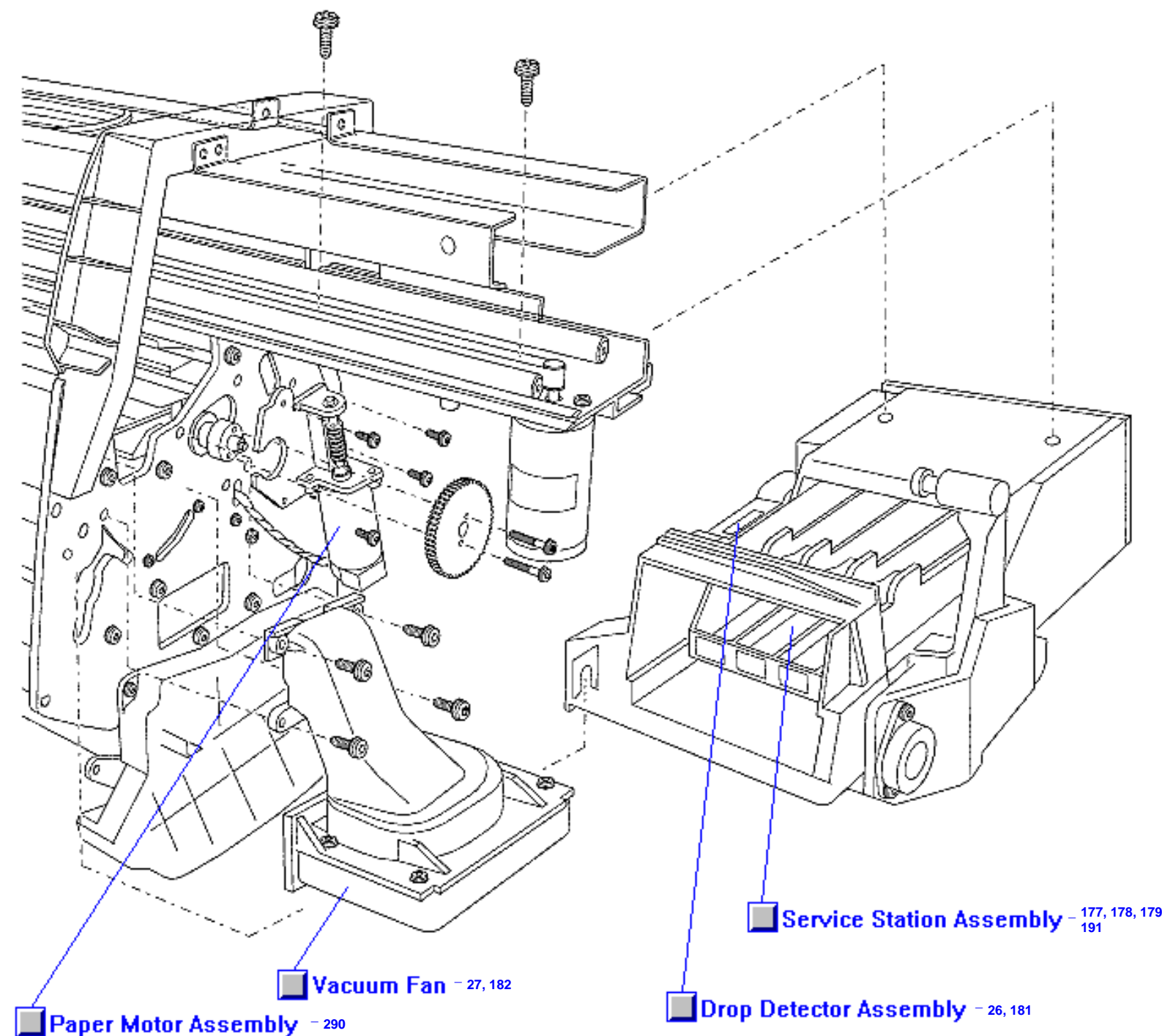
Rear Covers



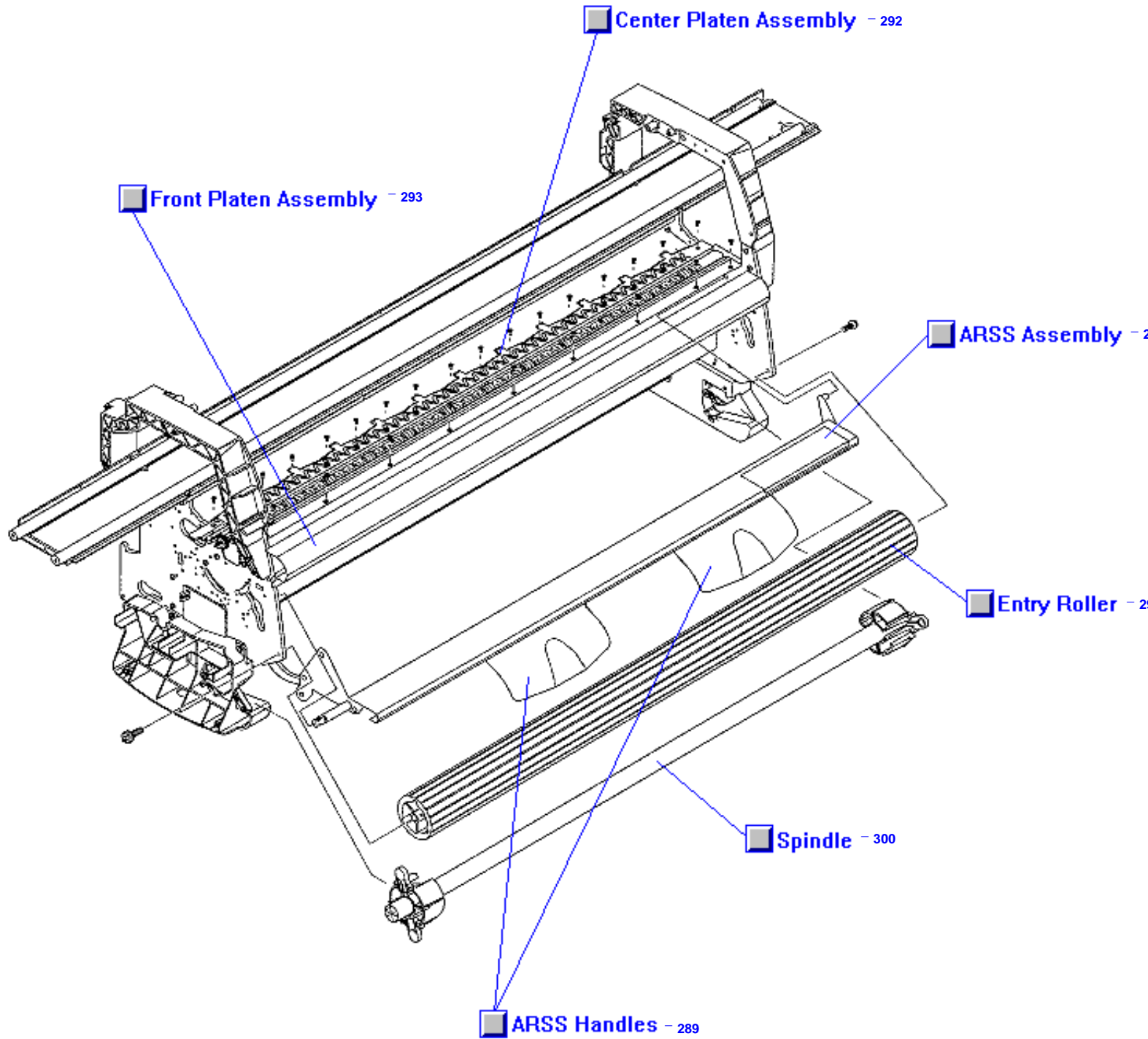
Right Cover and Front Panel Assembly



Service Station, Vacuum Fan, Paper Motor

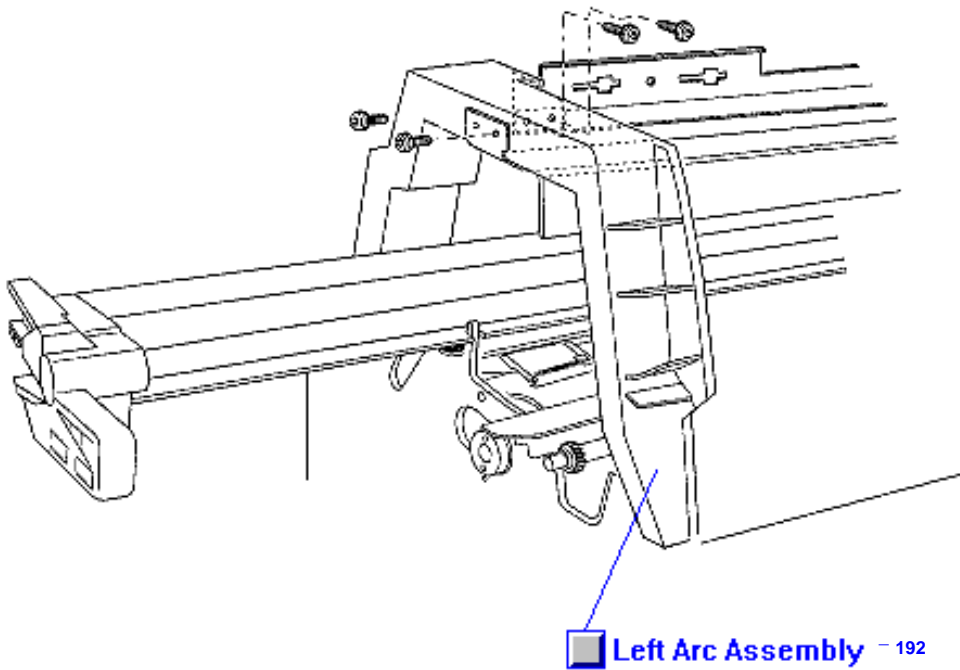


Spindle and Paper Path Parts

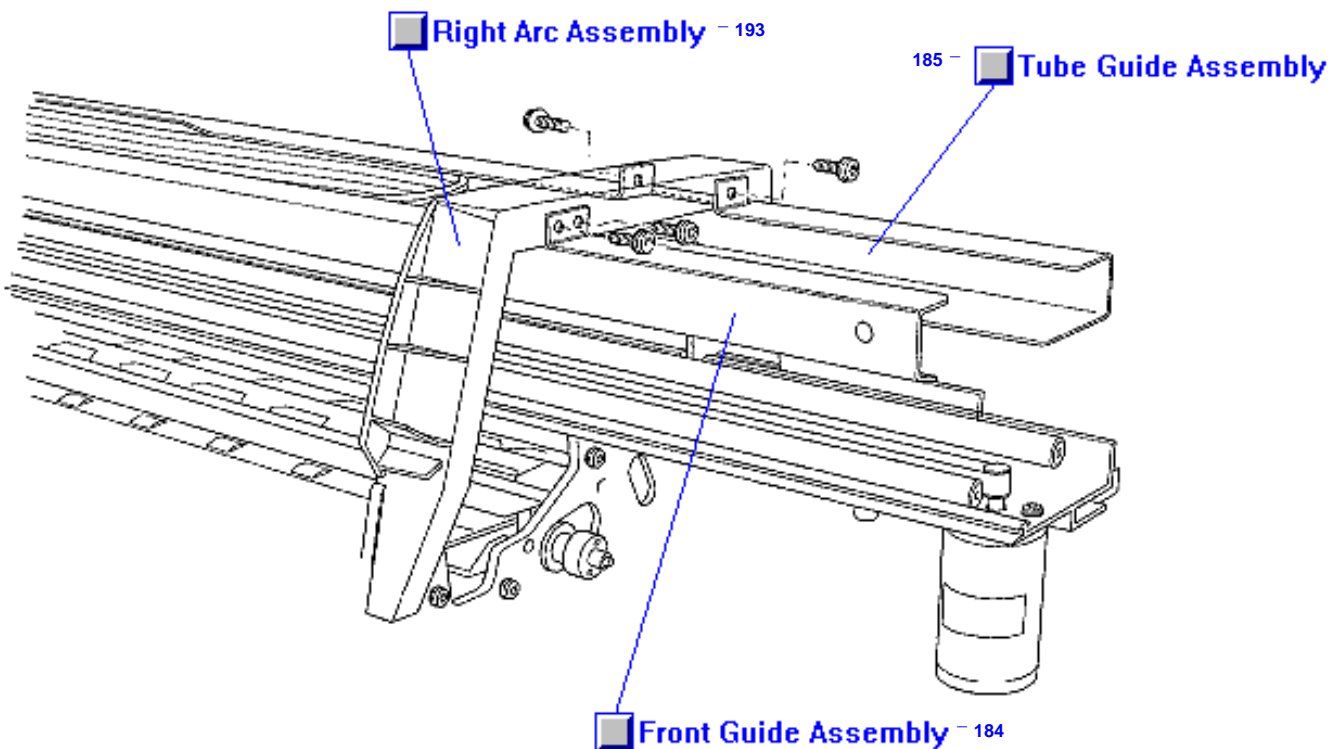


Tubes Guide, Front Guide, Left and Right Arcs

Left View



Right View





HP Parts Reference Guide

<http://www.hp.com/go/parts>

HP PartSurfer

<http://partsurfer.hp.com>

HP Parts Ordering Information

<http://www.hp.com/go/hpparts>

HP Parts Questions/Comments

<http://partsurfer.hp.com/contactus.htm>