

**Carriage/Carriage Drive****Arm**

1 C6072-60199 Cutter actuator arm

**Belt**

2 C6072-60198 Carriage drive belt kit - Includes belt and oil

**Bushing**

C4704-40084 Rear slider rod bushing (Spring loaded)

**Cable**

4 C6072-60196 Carriage trailing cable kit - Includes cable, trailing cable clip, nye oil, cover cap, trailing cable ferrite, ferrite holder

**Carriage**

5 C6072-69147 Carriage assembly kit - Includes carriage, carriage height tool cutter assembly, and line sensor - Does not include cable  
REQUIRES RETURN OF DEFECTIVE PART

C6072-60147 *New Part for C6072-69147*

**Cutter**

6 C6072-60200 Cutter assembly kit - Includes mounting hardware - Installed under carriage assembly

**Motor**

7 C6072-60148 Carriage motor - Includes pulley

**Strip**

8 C6072-60197 Encoder strip

**Tensioner**

9 C6072-60149 Tensioner assembly - Includes pulley assembly, pulley spring, wedge, cutter actuator arm, and tensioner housing

**Tool**

C6071-60166 Carriage height tool

**Electronic Accessories****Cable (Interface)**

5063-1256 IEEE-1284 Bi-Tronics parallel cable - DB-25 (M) connector (type A) to 36 pin Centronics (M) connector (type B) - 2.0m (6.6ft) long

5063-1257 IEEE-1284 Bi-Tronics parallel cable - DB-25 (M) connector (type A) to 36 pin Centronics (M) connector (type B) - 3.0m (9.8ft) long

C2950A IEEE-1284 Bi-Tronics parallel cable - DB-25 (M) connector (type A) to 36 pin Centronics (M) connector (type B) - 2.0m (6.6ft) long

5063-1256 *New Part for C2950A*

C2951A IEEE-1284 Bi-Tronics parallel cable - DB-25 (M) connector (type A) to 36 pin Centronics (M) connector (type B) - 3.0m (9.8ft) long

**Drive (Product)**

15 C2985B 3.2GB hard drive - DesignJet or LaserJet EIO font/print job storage

**Interface (Product)**

J3110A Ethernet 10Base-T (RJ-45) EIO network internal print server PC board

J3111A Ethernet 10Base-T/10Base2 and LocalTalk (RJ-45, BNC, LocalTalk) EIO network PCA

J3112A JetDirect 600N token ring LAN interface board - DB-9 and RJ-45 connectors  
NO LONGER SUPPLIED

J3113A JetDirect 600N internal print server (10Base-T and 100Base-TX) LAN interface board - Plugs into peripheral EIO slot

J4167A JetDirect 610N token ring LAN interface board - DB-9 and RJ-45 connectors

J6057A JetDirect 615N internal print server (10Base-T and 100Base-TX) LAN interface board - Plugs into peripheral EIO slot - Has a RJ-45 connector - Comes with software on CD-ROM and manual

J6057AR JetDirect 615N internal print server (10Base-T and 100Base-TX) LAN interface board - Plugs into peripheral EIO slot - Has a RJ-45 connector - Comes with software on CD-ROM and manual



### Electronic Accessories

#### Memory (Product)

23	C6251A	16MB EDO (Extended Data Output) DRAM DIMM - For DesignJet 1000 series printers NO LONGER SUPPLIED
24	C6252A	32MB EDO (Extended Data Output) DRAM DIMM - For DesignJet 1000 series printers
25	C6258A	64MB EDO (Extended Data Output) DRAM DIMM - For DesignJet 1000 series printers

#### PC Board (Interface)

	J3110-69001	JetDirect 600N EIO internal print server 10Base-T LAN interface board - Has one RJ-45 connector - (J3110A)
	J6057-69001	<i>New Part for J3110-69001</i>
	J3111-69001	JetDirect 600N EIO internal print server 10Base-T, 10BASE-2, and LocalTalk LAN interface board - Has one RJ-45, BNC, and 8-pin DIN connector - (J3111A) REQUIRES RETURN OF DEFECTIVE PART
	J3111-61001	<i>New Part for J3111-69001</i>
	J3112-69001	JetDirect 600N EIO internal print server token ring LAN interface board - Has one RJ-45 and DB-9 connector
	J4167-69001	<i>New Part for J3112-69001</i>
29	J3113-69001	JetDirect 600N EIO internal print server 10Base-T and 100Base-T LAN interface board - Has one RJ-45 connector

#### PostScript

	C6076A	PostScript upgrade kit - Includes PostScript ROM SIMM, driver software, and documentation - Requires at least 32MB RAM in printer
--	--------	---

### Electronics/Power Supply

#### Drive

	C2985-61004	3.2 GB hard drive (Asian fonts)
32	C6075-60005	3.2GB hard drive (DesignJet)

#### Drop Detector

33	C6072-60179	Drop detector assembly - Includes spittoon foam - Installed in service station assembly
----	-------------	---

#### Fan

34	C6072-60159	Vacuum/aerosol fan assembly - Installed on right side of printer chassis
----	-------------	--

#### Firmware

35	C6074-69340	Firmware DIMM (Revision A.01.13) REQUIRES RETURN OF DEFECTIVE PART
	C6074-60340	<i>New Part for C6074-69340</i>

#### Front Panel

36	C6072-60175	Front panel assembly - Includes front panel cable
----	-------------	---

#### Memory (DIMM)

37	C6074-60003	16MB EDO (Extended Data Output) DRAM DIMM memory module
38	C6074-60004	32MB EDO (Extended Data Output) DRAM DIMM memory module
39	C6074-60005	64MB EDO (Extended Data Output) DRAM DIMM memory module

#### Module

40	C6072-69146	Electronics module - Contains power supply, main logic board and cooling fan REQUIRES RETURN OF DEFECTIVE PART
	C6072-60146	<i>New Part for C6072-69146</i>

#### Power Cord

	8120-0698	Power cord (Black) - 18 AWG, 2.3m (7.5ft) long - Has straight (F) receptacle (For 220V/240V in the USA and Canada)
	8120-1378	Power cord (Jade Gray) - 18 AWG, 2.3m (7.5ft) long - Has straight (F) receptacle (For 120V in USA, Canada, Latin America, Korea, Taiwan, Thailand, Spain, Brazil, and Vietnam)



### Electronics/Power Supply

#### Sensor

43 C6072-60190 Media sensor

### External Case Parts

#### Bracket

44 C6072-60188 Rear cover mounting bracket kit - Includes left and right brackets

#### Cover

45 C6072-60165 Right cover - Includes front panel cable - Does not include front panel assembly or aerosol fan

46 C6072-60167 Left cover - Covers the ink tube system and has a door to access the ink cartridges

47 C6072-60168 Top cover - Covers the top of the print mechanism (Not the window)

48 C6072-60169 Back cover - Includes blank serial number label

49 C6072-60170 Back EMC cover

50 C6072-60171 Left rear cover kit - Covers electronics module near the DIMM cover - Includes ferrite and clip

51 C6072-60172 Right rear cover - Covers the end of the electronics module that is not near the DIMM cover

52 C6072-60176 DIMM cover - Covers the DIMM sockets in the electronics module

C6072-60177 EIO cover - Used when an EIO slot is empty

#### Deflector

54 C6071-60148 Tail deflectors

#### Holder

C6071-60154 Quick reference guide holder

#### Nameplate/Logo

56 C6072-00001 Nameplate - DesignJet 1050C

#### Overlay

57 C6074-60241 Front panel overlay (English)

58 C6074-60242 Front panel overlay (Korean)

59 C6074-60243 Front panel overlay (Taiwanese)

60 C6074-60244 Front panel overlay (German)

61 C6074-60245 Front panel overlay (French)

62 C6074-60246 Front panel overlay (Spanish)

63 C6074-60247 Front panel overlay (Italian)

64 C6074-60248 Front panel overlay (Japanese)

65 C6074-60249 Front panel overlay (Portuguese)

66 C6074-60250 Front panel overlay (Chinese)

#### Platen

67 C6072-60186 Rear Platen

#### Window

68 C6072-60164 Lift-up viewing window

### Other Accessories

#### CD-ROM (Support)

C7769-90066 DesignJet support CD ROM - Version A.04.01 - Has product information, user's manuals, service manuals, diagnostic software, test drawings, newsletters, and service notes

#### Cartridge

C4872-80126 No.80 standard capacity cyan ink cartridge (175ml ink)

C4872A No.80 standard capacity cyan ink cartridge (175ml ink)

C4873-80128 No.80 standard capacity yellow ink cartridge (175ml ink)

C4873A No.80 standard capacity yellow ink cartridge (175ml ink)



### Other Accessories

#### Cartridge

C4874-80127	No.80 standard capacity magenta ink cartridge (175ml ink)
C4874A	No.80 standard capacity magenta ink cartridge (175ml ink)
C4846-80131	No.80 high capacity (350ml ink) cyan ink cartridge
C4846A	No.80 high capacity cyan ink cartridge (350ml ink)
C4847-80132	No.80 high capacity magenta ink cartridge (350ml ink)
C4847A	No.80 high capacity magenta ink cartridge (350ml ink)
C4848-80134	No.80 high capacity yellow ink cartridge (350ml ink)
C4848A	No.80 high capacity yellow ink cartridge (350ml ink)
C4871-80125	No.80 high capacity black ink cartridge (350ml ink) - Same as C4871A
C4871A	No.80 high capacity black ink cartridge (350ml ink)

#### Deflector

C6079-60019	Media deflector - Rod used when optional take-up reel is installed
-------------	--

#### Ink System Return Kit

C4820-80100	Ink system return kit (Box and instructions) - For returning printheads, printhead cleaner, and ink cartridges under the CREW program
-------------	---

#### Ink and Printhead

C4890A	No.80 high capacity black ink cartridge, printhead, and printhead cleaner bundl (350ml ink)
C4891A	No.80 high capacity cyan ink cartridge, printhead, and printhead cleaner bundle (350ml ink)
C4892A	No.80 high capacity magenta ink cartridge, printhead, and printhead cleaner bundle (350ml ink)
C4893A	No.80 high capacity yellow ink cartridge, printhead, and printhead cleaner bundle (350ml ink)

#### Kit

C6072-60143	Maintenance Kit - Includes setup printheads, trailing cable, ISS housing foam, rubber gloves, oil applicator, carriage motor, drop detector, carriage assembly, drive belt, ink tube system, tensioner assembly, carriage height tool, & trailing cable clip
-------------	--

#### Lubricant

6040-0854	Synthetic Oil (1/2oz Plastic Bottle - for lubricating the front and rear slider rods)
6040-0855	Synthetic oil - 4oz (113g) plastic bottle
C3190-60155	Grease - For helical gear (Drive roller gear)
C6071-60177	Oil applicator - Contains synthetic oil
C6072-60047	Overdrive oil kit

#### Manual

5959-9734	Comparison guide for HP-GL/2 and RTL peripherals (English)
C6071-90101	DesignJet 1050C and 1055CM users guide (English)
C6071-90102	DesignJet 1050C and 1055CM users guide (Korean)
C6071-90103	DesignJet 1050C and 1055CM users guide (Taiwanese)
C6071-90104	DesignJet 1050C and 1055CM users guide (German)
C6071-90105	DesignJet 1050C and 1055CM users guide (French)
C6071-90106	DesignJet 1050C and 1055CM users guide (Spanish)
C6071-90107	DesignJet 1050C and 1055CM users guide (Italian)
C6071-90108	DesignJet 1050C and 1055CM users guide (Japanese)
C6071-90109	DesignJet 1050C and 1055CM users guide (Portuguese)
C6071-90110	DesignJet 1050C and 1055CM users guide (Chinese)
C6071-90111	DesignJet 1050C and 1055CM users guide (Czech)
C6071-90112	DesignJet 1050C and 1055CM users guide (Greek)



### Other Accessories

#### Manual

C6071-90113	DesignJet 1050C and 1055CM users guide (Hungarian)
C6071-90114	DesignJet 1050C and 1055CM users guide (Polish)
C6071-90115	DesignJet 1050C and 1055CM users guide (Russian)
C6071-90117	DesignJet 1050C and 1055CM users guide (Turkish)
C6079-90001	C6079A take-up reel users guide (English)
C6079-90002	C6079A take-up reel users guide (Korean)
C6079-90003	C6079A take-up reel users guide (Taiwanese)
C6079-90004	C6079A take-up reel users guide (German)
C6079-90005	C6079A take-up reel users guide (French)
C6079-90006	C6079A take-up reel users guide (Spanish)
C6079-90007	C6079A take-up reel users guide - No longer available - See the DesignJet 1050C and 1055CM user's guide (Italian) NO LONGER SUPPLIED
<i>C6071-90117</i>	<i>New Part for C6079-90007</i>
C6079-90008	C6079A take-up reel users guide (Japanese)
C6079-90009	C6079A take-up reel users guide (Portuguese)
C6079-90010	C6079A take-up reel users guide (Chinese)
C6079-90011	C6079A take-up reel users guide (Czechoslovakian)
C6079-90012	C6079A take-up reel users guide (Greek)
C6079-90013	C6079A take-up reel users guide (Hungarian)
C6079-90014	C6079A take-up reel users guide (Polish)
C6079-90015	C6079A take-up reel users guide (Russian)
C6079-90017	C6079A take-up reel users guide (Turkish)
C6071-90241	DesignJet 1050C and 1055CM quick reference guide (English)
C6071-90000	DesignJet 1050C and 1055CM service manual (English)
C6071-60341	DesignJet 1050C/1055CM documentation CD-ROM (English) - Contains on-screen movies and users documentation
C6071-60344	DesignJet 1050C/1055CM documentation CD-ROM (German) - Contains on-screen movies and users documentation
C6071-60345	DesignJet 1050C/1055CM documentation CD-ROM (French) - Contains on-screen movies and users documentation
C6071-60346	DesignJet 1050C/1055CM documentation CD-ROM (Spanish) - Contains on-screen movies and users documentation
C6071-60347	DesignJet 1050C/1055CM documentation CD-ROM (Italian) - Contains on-screen movies and users documentation
C6071-60349	DesignJet 1050C/1055CM documentation CD-ROM (Portuguese) - Contains on-screen movies and users documentation

#### Manual Kit

C6071-60241	Manual kit - Includes setup guide, quick reference guide, and assembly instructions (English)
C6071-60242	Manual kit - Includes setup guide, quick reference guide, and assembly instructions (Korean)
C6071-60243	Manual kit - Includes setup guide, quick reference guide, and assembly instructions (Taiwan)
C6071-60244	Manual kit - Includes setup guide, quick reference guide, and assembly instructions (German)
C6071-60245	Manual kit - Includes setup guide, quick reference guide, and assembly instructions (French)
C6071-60246	Manual kit - Includes setup guide, quick reference guide, and assembly instructions (Spanish)
C6071-60247	Manual kit - Includes setup guide, quick reference guide, and assembly instructions (Italian)
C6071-60249	Manual kit - Includes setup guide, quick reference guide, and assembly instructions (Portuguese)
C6071-60250	Manual kit - Includes setup guide, quick reference guide, and assembly instructions (Chinese)
C6072-60368	Manual kit - Includes setup guide, quick reference guide, and assembly instructions (Japanese)



## Other Accessories

### Mount

- C6079-60017 Left take-up reel spindle mount assembly
- C6079-60018 Right take-up reel spindle mount assembly

### Printhead

- C6071-60167 Setup Printheads - Used to remove air and prime the ink system (4 used)

### Printhead Kit

- C4820-80034 No.80 black printhead and printhead cleaner bundle
- C4820A No.80 black printhead and printhead cleaner bundle
- C4821-80011 No.80 cyan printhead and printhead cleaner bundle
- C4821A No.80 cyan printhead and printhead cleaner bundle
- C4822-80009 No.80 magenta printhead and printhead cleaner bundle
- C4822A No.80 magenta printhead and printhead cleaner bundle
- C4823-80014 No.80 yellow printhead and printhead cleaner bundle
- C4823A No.80 yellow printhead and printhead cleaner bundle

### Sensor

- C6079-60016 Sensor assembly for take-up reel

### Software

- C6072-60281 Toolbox and driver software - HP-GL/2 and RTL drivers for Windows 3.1/95/98/NT 4.0 (all DesignJets), and toolbox software for Windows 95/NT 4.0 (Only for DesignJet 430/450C/455CA/1050C/1055CM) - On 3.5-inch 1.44MB floppy disks (English)
- C6072-60284 Toolbox and driver software - HP-GL/2 and RTL drivers for Windows 3.1/95/98/NT 4.0 (all DesignJets), and toolbox software for Windows 95/NT 4.0 (Only for DesignJet 430/450C/455CA/1050C/1055CM) - On 3.5-inch 1.44MB floppy disks (German)
- C6072-60285 Toolbox and driver software - HP-GL/2 and RTL drivers for Windows 3.1/95/98/NT 4.0 (all DesignJets), and toolbox software for Windows 95/NT 4.0 (Only for DesignJet 430/450C/455CA/1050C/1055CM) - On 3.5-inch 1.44MB floppy disks (French)
- C6072-60286 Toolbox and driver software - HP-GL/2 and RTL drivers for Windows 3.1/95/98/NT 4.0 (all DesignJets), and toolbox software for Windows 95/NT 4.0 (Only for DesignJet 430/450C/455CA/1050C/1055CM) - On 3.5-inch 1.44MB floppy disks (Spanish)
- C6072-60287 Toolbox and driver software - HP-GL/2 and RTL drivers for Windows 3.1/95/98/NT 4.0 (all DesignJets), and toolbox software for Windows 95/NT 4.0 (Only for DesignJet 430/450C/455CA/1050C/1055CM) - On 3.5-inch 1.44MB floppy disks (Italian)
- C6072-60301 HP-GL/2 driver software for AutoCAD - For DOS and Windows 3.1/95/NT 4.0 - On 3.5-inch 1.44MB floppy disks (English)
- C6072-60304 HP-GL/2 driver software for AutoCAD - For DOS and Windows 3.1/95/NT 4.0 - On 3.5-inch 1.44MB floppy disks (German)
- C6072-60305 HP-GL/2 driver software for AutoCAD - For DOS and Windows 3.1/95/NT 4.0 - On 3.5-inch 1.44MB floppy disks (French)
- C6072-60306 HP-GL/2 driver software for AutoCAD - For DOS and Windows 3.1/95/NT 4.0 - On 3.5-inch 1.44MB floppy disks (Spanish)
- C6072-60307 HP-GL/2 driver software for AutoCAD - For DOS and Windows 3.1/95/NT 4.0 - On 3.5-inch 1.44MB floppy disks (Italian)
- C6075-60201 DesignJet 1050C/1055CM PostScript driver software CD-ROM - For Windows 95/98/NT 4.0 and Apple/Macintosh - PostScript upgrade MUST be installed in 1050C first - Multilingual
- C6071-60368 ZEHRaster software for UNIX - Allows TIFF and JPEG printing on DesignJet 700 series, 1000 series, and CP series (Japanese)
- C7779-60040 ZEHRaster software for UNIX - Allows TIFF and JPEG printing on DesignJet 700 series, 1000 series, and CP series (Chinese)
- C7779-60041 ZEHRaster software for UNIX - Allows TIFF and JPEG printing on DesignJet 700 series, 1000 series, and CP series (English)
- C7779-60042 ZEHRaster software for UNIX - Allows TIFF and JPEG printing on DesignJet 700 series, 1000 series, and CP series (Korean)



### Other Accessories

#### Software

C7779-60043	ZEHRaster software for UNIX - Allows TIFF and JPEG printing on DesignJet 700 series, 1000 series, and CP series (Taiwanese)
C7779-60044	ZEHRaster software for UNIX - Allows TIFF and JPEG printing on DesignJet 700 series, 1000 series, and CP series (German)
C7779-60045	ZEHRaster software for UNIX - Allows TIFF and JPEG printing on DesignJet 700 series, 1000 series, and CP series (French)
C7779-60046	ZEHRaster software for UNIX - Allows TIFF and JPEG printing on DesignJet 700 series, 1000 series, and CP series (Spanish)
C7779-60047	ZEHRaster software for UNIX - Allows TIFF and JPEG printing on DesignJet 700 series, 1000 series, and CP series (Italian)

#### Spindle Kit

C6078A	E/A0 Spindle kit for DesignJet 1000 series printer
--------	--

#### Take-Up Reel

C6079A	Take-up reel kit for HP DesignJet 1000 Series - Allows printed media to be automatically rolled while printing - Includes spindle, spindle drive, media deflector, and documentation
--------	--

#### Tool

C6071-60153	Carriage interconnect wiper (flex cleaner) - Handheld tool used to clean the electrical contacts for the printheads
-------------	---

### Other Internal Parts

#### Air Pressure System

182	C6072-60016	Air pressurization system (APS) - Includes pump, valve, pressure sensor, and APS housing
-----	-------------	--

#### Cleaner

183	C4820-60015	Black printhead cleaner
184	C4821-60005	Cyan printhead cleaner
185	C4822-60059	Magenta printhead cleaner
186	C4823-60003	Yellow printhead cleaner

#### Drop Detector

187	C6072-60179	Drop detector assembly - Includes spittoon foam - Installed in service station assembly
-----	-------------	---

#### Fan

188	C6072-60159	Vacuum/aerosol fan assembly - Installed on right side of printer chassis
-----	-------------	--

#### Guide

189	C6072-60189	Center guide and media sensor
190	C6072-60194	Front guide assembly
191	C6072-60195	Tube guide assembly

#### Ink Supply Station

192	C6072-60015	Ink Supply Station (ISS) - Has 4 slots for ink cartridges
-----	-------------	---

#### Ink Tube System

193	C6074-60342	Ink Tube System - Includes setup printheads, ink collector, carrier clip, nye oil, ink supply station housing foam
-----	-------------	--

#### Leak Detector

C6071-60168	Ink leak detector system (LDS) - Includes ink collector, leak sense cable, leak sense cable clip
-------------	--

#### Printhead

C6071-60167	Setup Printheads - Used to remove air and prime the ink system (4 used)
-------------	---

#### Sensor

196	C6072-60190	Media sensor
-----	-------------	--------------

**Other Internal Parts****Service Station**

197 C6072-60178 Service station assembly - Includes drop detector assembly

**Support**

198 C6072-60192 Left arc assembly

199 C6072-60193 Right arc assembly

**Trim**

200 C6072-60173 Left trim - On the left arc

201 C6072-60174 Right trim - On the right arc

**Paper Drive Parts****ARSS Assembly**

291 C6072-60150 Automatic roll sheet switch (ARSS) assembly - Small, long roller and housing - Used to feed cut sheet media

**ARSS Parts Kit**

292 C6071-60155 Automatic roll sheet switch (ARSS) parts kit - ARSS torsion spring, ARSS axle gear, ARSS switch lever

**Clutch**

293 C6072-60151 Clutch assembly - Includes lever, 2 gears, a spring, and the shaft that they ride on

**Guide**

294 C6072-60163 Drive roller guide - Includes drive roller guide and media guide strip

**Handle**

295 C6072-60152 Handle for automatic roll sheet switch (ARSS) assembly

**Motor**

296 C6072-60160 Paper drive motor - Includes helical drive gear and mounting bracket - Installed on Right Side of Printer Chassis

**Pinch Assembly**

297 C6072-60009 Pinch Assembly - Includes pinch cam, pinch rollers, springs

**Platen**

298 C6072-60161 Center Platen Assembly - Includes overdrive rollers and screws

299 C6072-60162 Front Platen Assembly - Long, curved item without rollers - Includes platen and screws

**Roll Feed Brake**

300 C6072-60156 Right roll feed brake - Installed in right roll feed module

301 C6072-60157 Left roll feed brake - Installed in left roll feed module

**Roll Feed Module**

302 C6072-60155 Right roll feed module

303 C6072-60158 Left roll feed module

**Roller**

304 C6072-60154 Entry roller - Large, long roller at front of printer

305 C6072-60191 Paper drive roller assembly - Includes drive roller, roller gear, and roller bracket

**Spindle**

306 C6072-60126 E/A0 rollfeed spindle assembly - Includes end caps

**Strip**

307 C6072-60391 Media guide strip

**Paper and Other Media****Canvas**

C6771A Studio canvas (368 gsm) - 91.4cm (36in) x 10.7m (35ft) roll - For regular ink or UV resistant ink

C7966A Canvas with Matte finish - 61cm (24in) x 10.7m (35ft) (USA)

C7967A Canvas with Matte finish - 91.4cm (36in) x 10.7m (35ft) (USA)

**Paper and Other Media****Canvas**

- Q1718A Canvas Paper (140 gsm) - 91.4cm (36in) x 10.7m (35ft) (USA)  
Q1724A Canvas Paper (180 gsm) - 91.4cm (36in) x 10.7m (35ft) (USA)

**Film (Clear)**

- C3876A Clear film (4 mil) - 61cm (24in) x 22.9m (75ft) roll  
C3875A Clear film (4 mil) - 91.4cm (36in) x 22.9m (75ft) roll

**Film (Cling)**

- Q1914A Two View Cling film - 91.4cm (36in) x 22.9m (75ft)  
Q1915A Two View Cling film - 106.7cm (42in) x 22.9m (75ft)

**Film (Glossy)**

- C6794A Durable Imaging Glossy UV media - For UV ink only - 91.4cm (36in) x 30.5m (100ft) roll

**Film (Matte)**

- C7909A Double Matte Eraseable Film - 61cm (24in) x 38.1m (125ft) (USA)  
C7910A Double Matte Eraseable Film - 76.2cm (30in) x 38.1m (125ft) (USA)  
C7911A Double Matte Eraseable Film - 91.4cm (36in) x 38.1m (125ft) (USA)  
Q1736A Polyester Film White Matte - 91.4cm (36in) x 15.2m (50ft) (USA)  
51642A Polyester matte film - 61cm (24in) x 36.6m (120ft) roll  
51642B Polyester matte film - 91.4cm (36in) x 36.6m (120ft) roll

**Film (Opaque)**

- C7955A Opaque White Glossy Polyester Film - 61cm (24in) x 15.2m (50ft) (USA)  
C7956A Opaque White Glossy Film - 91.4cm (36in) x 15.2m (50ft) (USA)

**Paper**

- C7919A Basic bond paper - 61cm (24in) x 45.7m (150ft)  
C7921A Basic bond paper - 91.4cm (36in) x 45.7m (150ft)  
C7922A Basic Bond paper - 106.7cm (42in) x 45.7m (150ft)  
C7923A Basic Heavyweight Paper - 61cm (24in) x 30.5m (100ft) (USA and Asia/Pacific)  
C7924A Basic Heavyweight Paper - 91.4cm (36in) x 30.5m (100ft) (USA and Asia/Pacific)  
C7929A Super Heavyweight Paper - 61cm (24in) x 22.9m (75ft) (USA and Asia/Pacific)  
C7930A Super Heavyweight Paper - 91.4cm (36in) x 22.9m (75ft) (USA and Asia/Pacific)  
Q1396A Universal Bond Paper - 61cm (24in) x 30.5m (100ft)  
Q1397A Universal Bond Paper - 91.4cm (36in) x 30.5m (100ft)  
Q1398A Universal Bond Paper - 106.7cm (42in) x 30.5m (100ft)  
Q1721A Embossed Paper (140 gsm) - 91.4cm (36in) x 10.7m (35ft) (USA)  
Q1733A Indoor Self Adhesive Paper - 91.4cm (36in) x 22.9m (75ft) (USA)  
Q1739A Heat Transfer Paper - 91.4cm (36in) x 30.5m (100ft) (USA)  
Q1903A Polypropylene with Matte finish - 91.4cm (36in) x 22.9m (75ft)  
Q1904A Polypropylene with Matte finish - 106.7cm (42in) x 22.9m (75ft)  
Q1906A Polypropylene with Matte finish - 137.2cm (54in) x 22.9m (75ft)  
Q1907A Polypropylene with Matte finish - 152.4cm (60in) x 22.9m (75ft)  
Q1908A Polypropylene Adhesive Back print media - 91.4cm (36in) x 21.3m (70ft)  
Q1909A Polypropylene Adhesive Back print media - 106.7cm (42in) x 21.3m (70ft)

**Paper (Banner)**

- C6786A Banner paper with Tyvek (140 gsm) - UV ink only - 61cm (24in) x 15.2m (50ft) roll  
NO LONGER SUPPLIED  
C6787A Banner paper with Tyvek (140 gsm) - UV ink only - 91.4cm (36in) x 15.2m (50ft) roll

**Paper and Other Media****Paper (Bright White)**

C1860A	Bright white InkJet paper - 61cm (24in) x 45.7m (150ft) roll
C6035A	Bright white InkJet paper - 61cm (24in) x 45.7m (150ft) roll
C1861A	Bright white InkJet paper - 91.4cm (36in) x 45.7m (150ft) roll
C6036A	Bright white InkJet paper - 91.4cm (36in) x 45.7m (150ft) roll
C6810A	Bright white InkJet paper - 91.4cm (36in) x 91.4m (300ft) roll

**Paper (Coated)**

C6980A	Coated paper (98 gsm) - 91.4cm (36in) x 91.4m (300ft) roll (USA, Canada, and Latin America)
C7873A	Heavyweight Coated Paper - 91.4cm (36in) x 4.6m (15ft)
C8281A	Basic Coated Paper - 61cm (24in) x 45.7m (150ft) (USA and Asia/Pacific)
C8282A	Basic Coated Paper - 91.4cm (36in) x 45.7m (150ft) roll (USA and Asia/Pacific)
Q1412A	Universal Heavyweight Coated paper - 61cm (24in) x 30.5m (100ft)
Q1413A	Universal Heavyweight Coated Paper - 91.4cm (36in) x 30.5m (100ft)
Q1416A	Heavyweight Coated Paper - 152.4cm (60in) x 30.5m (100ft)
Q1961A	Coated Paper - Architectural C size (18 x 24-inches) - 100 sheets
Q1962A	Coated Paper - Architectural D size (24 x 36-inches) - 100 sheets
C6019B	Coated paper (98 gsm) - 61cm (24in) x 45.7m (150ft) roll (USA, Canada, and Latin America)
C6021B	Heavyweight coated paper - 61cm (24in) x 30.5m (100ft) roll (USA, Canada, and Latin America) NO LONGER SUPPLIED
C6029C	Heavyweight coated paper - 61cm (24in) x 30.5m (100ft) roll - For regular or UV resistant ink
C6020B	Coated paper (98 gsm) - 91.4cm (36in) x 45.7m (150ft) roll (USA, Canada, and Latin America)
C6022B	Heavyweight coated paper - 91.4cm (36in) x 30.5m (100ft) roll (USA, Canada, and Latin America) NO LONGER SUPPLIED
C6030C	Heavyweight coated paper - 91.4cm (36in) x 30.5m (100ft) roll - For regular or UV resistant ink

**Paper (Fabric)**

Q1918A	Viscose Paper-Back Fabric print media - 91.4cm (36in) x 10.1m (33ft)
Q1919A	Viscose Paper-Back Fabric print media - 106.7cm (42in) x 10.1m (33ft)
Q1920A	Viscose Paper-Back Fabric print media - 137.2cm (54in) x 10.1m (33ft)

**Paper (Glossy)**

C8315A	High Gloss Photo Paper - 61cm (24in) x 30.5m (100ft) (USA and Asia/Pacific)
C8316A	High Gloss Photo Paper - 91.4cm (36in) x 30.5m (100ft) (USA and Asia/Pacific)
Q1426A	Universal High-Gloss Photo Paper - 61cm (24in) x 30.5m (100ft)
Q1427A	Universal High-Gloss Photo Paper - 91.4cm (36in) x 30.5m (100ft)
Q1428A	Universal High-Gloss Photo Paper - 106.7cm (42in) x 30.5m (100ft)
Q1429A	Universal High-Gloss Photo Paper - 137.2cm (54in) x 30.5m (100ft)
Q1430A	Universal High-Gloss Photo Paper - 152.4cm (60in) x 30.5m (100ft)
C6814A	High gloss photo paper - 91.4cm (36in) x 30.5m (100ft) roll

**Paper (Photo)**

C6813A	High gloss photo paper - 61cm (24in) x 30.5m (100ft) roll
C7874A	High Gloss Photo Paper - 91.4cm (36in) x 3.0m (10ft)
C7946A	Photo Paper RC Matte - 91.4cm (36in) x 30.5m (100ft) (USA)
C8310A	Basic Photo Satin paper - 61cm (24in) x 30.5m (100ft) (USA and Asia/Pacific)
C8311A	Basic Photo Satin paper - 91.4cm (36in) x 30.5m (100ft) (USA and Asia/Pacific)
Q1420A	Semi-Gloss Photo Paper - 61cm (24in) x 30.5m (100ft)
Q1421A	Semi-Gloss Photo Paper - 91.4cm (36in) x 30.5m (100ft)



### Paper and Other Media

#### Paper (Photo)

- Q1422A Semi-Gloss Photo Paper - 106.7cm (42in) x 30.5m (100ft)
- Q1424A Semi-Gloss Photo Paper - 152.4cm (60in) x 30.5m (100ft)

#### Paper (Poster)

- C7949A Outdoor Billboard Paper - Blue back - 91.4cm (36in) x 30.5m (100ft) (USA)

#### Paper (Satin)

- C7952A Proofing Paper RC Satin - 91.4cm (36in) x 30.5m (100ft) (USA)

#### Paper (Semi-Glossy)

- Q1423A Semi-Gloss Photo Paper - 137.2cm (54in) x 30.5m (100ft)

#### Paper (Tracing)

- C3869A Natural tracing paper - 61cm (24in) x 45.7m (150ft) roll
- C3868A Natural tracing paper - 91.4cm (36in) x 45.7m (150ft) roll

#### Paper (Translucent)

- C3860A Translucent bond paper - 61cm (24in) x 45.7m (150ft) roll
- C3859A Translucent bond paper - 91.4cm (36in) x 45.7m (150ft) roll

#### Vellum

- C3862A Vellum - 61cm (24in) x 45.7m (150ft) roll
- C3861A Vellum - 91.4cm (36in) x 45.7m (150ft) roll

#### Vinyl (Adhesive)

- C6775A Colorfast adhesive vinyl (328 gsm) - 91.4cm (36in) x 12.2m (40ft) roll - For regular ink or UV-resistant ink

### Stand Parts

#### Bin

- <sup>308</sup> C6072-60208 Media bin - Between printer stand legs

#### Cover

- C6074-60275 Media bin cover - Used to protect high gloss photo paper from scratches caused by contact with the media bin

#### Cross-Brace

- <sup>310</sup> C6072-60185 Cross-brace - Main structure that extends between stand legs

#### Foot

- <sup>311</sup> C6072-60182 Foot assembly (Includes casters)

#### Hardware Kit

- C6072-60180 Hardware kit for printer stand - Includes screwdriver and screws

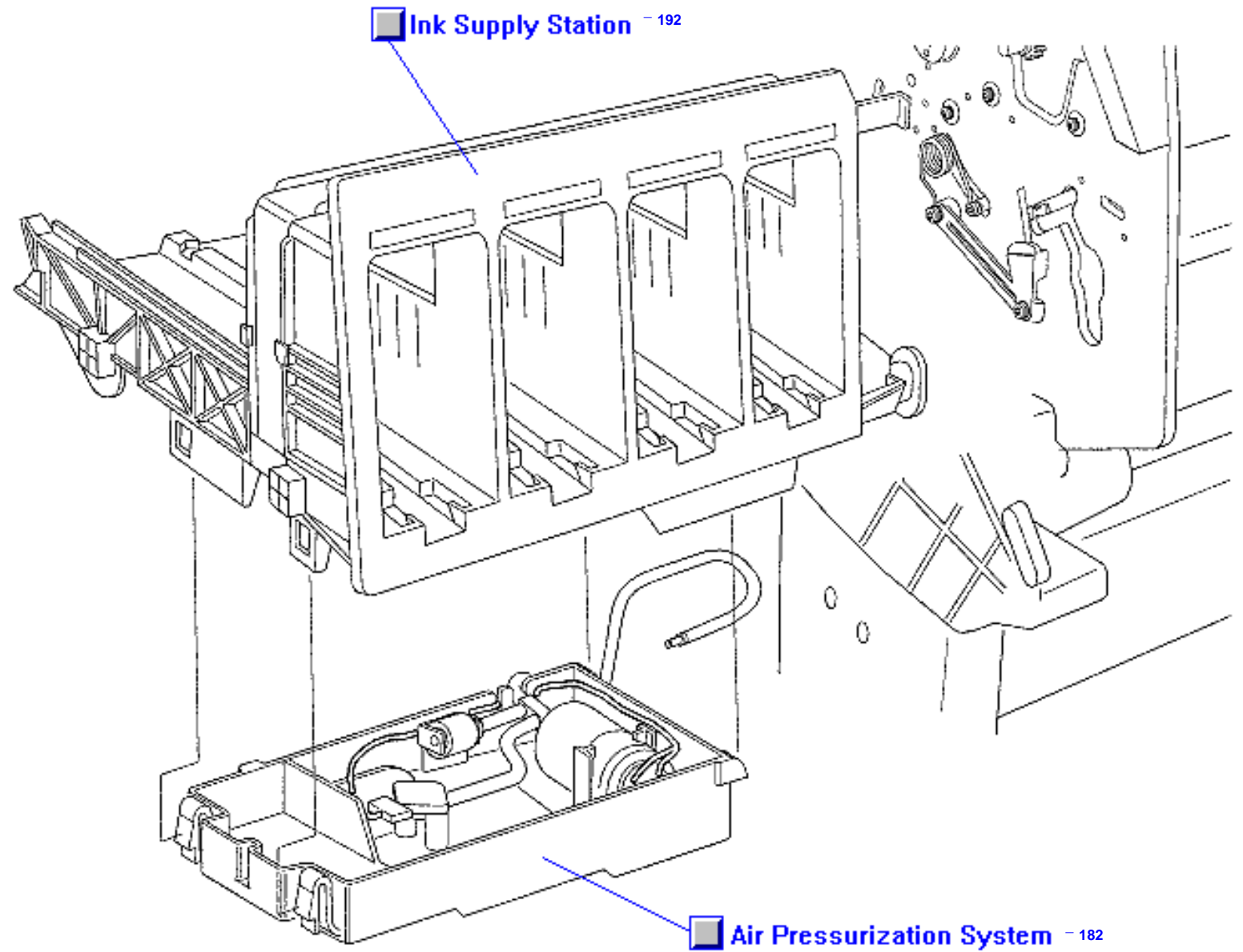
#### Leg

- <sup>313</sup> C6072-60184 Leg assembly - Side support for the printer - Does NOT include the foot assembly

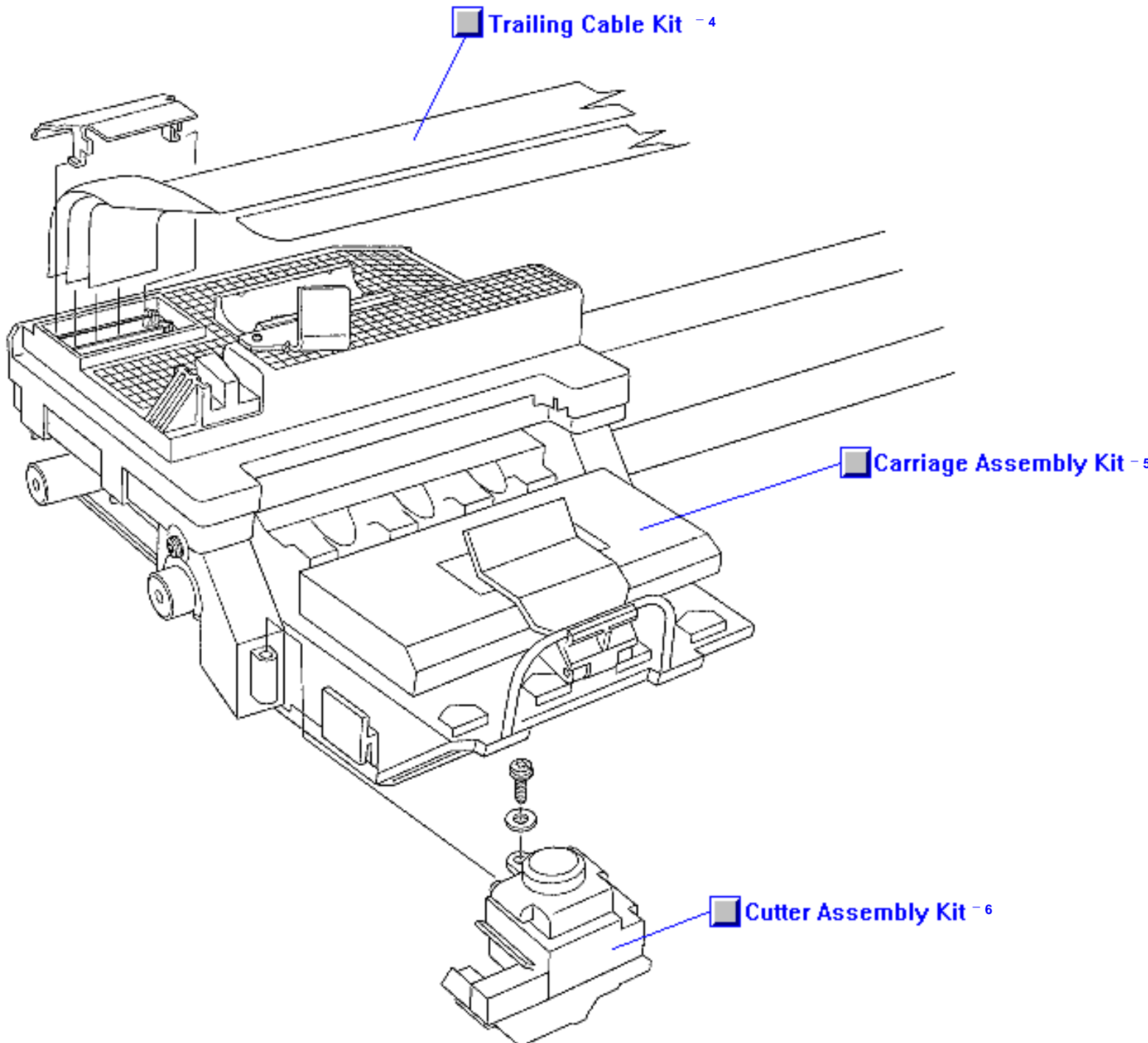
#### Tray

- <sup>314</sup> C6072-60183 Printer stand tray - Mounted between the feet of printer

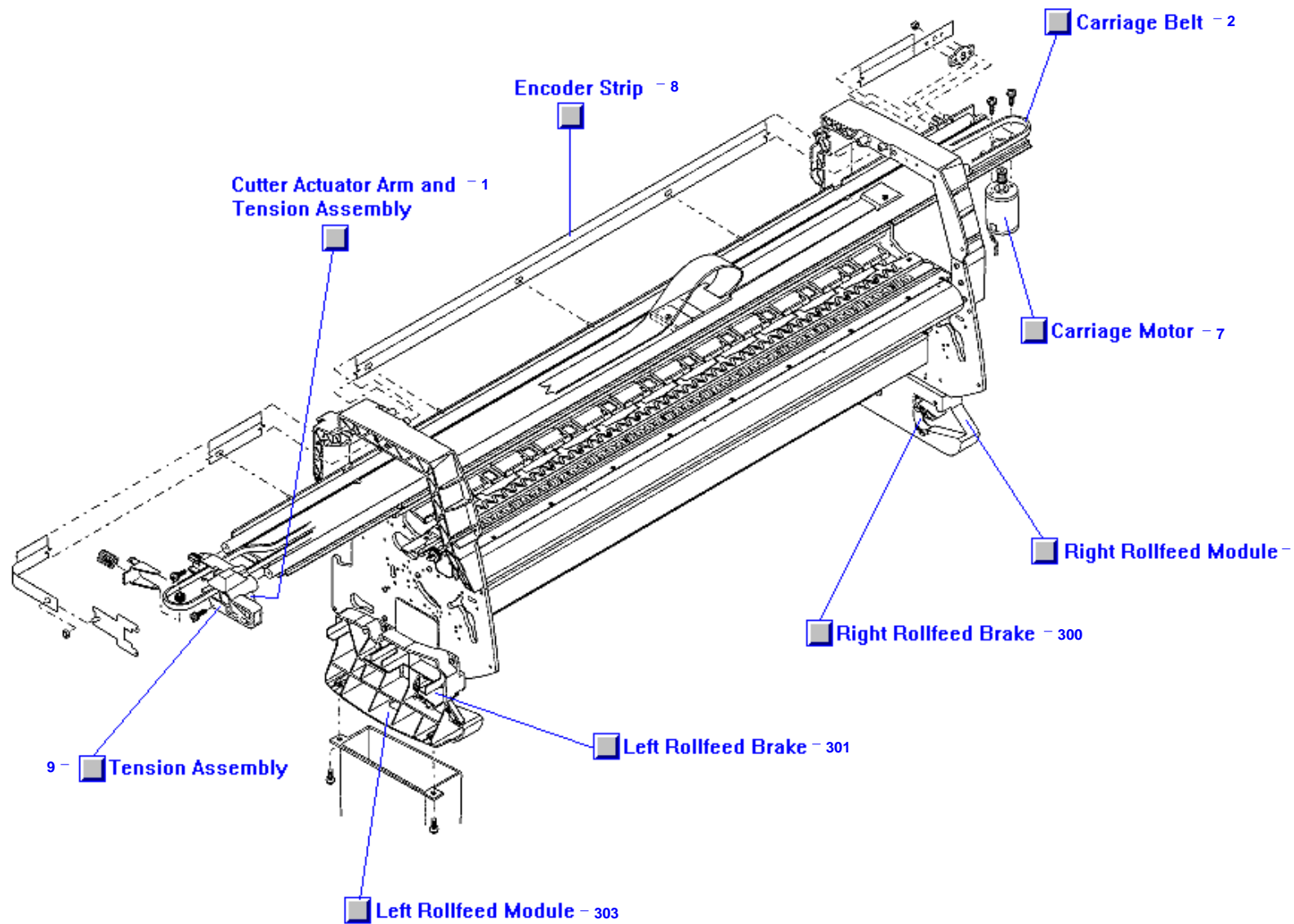
Air Pressurization System, Ink Supply Station



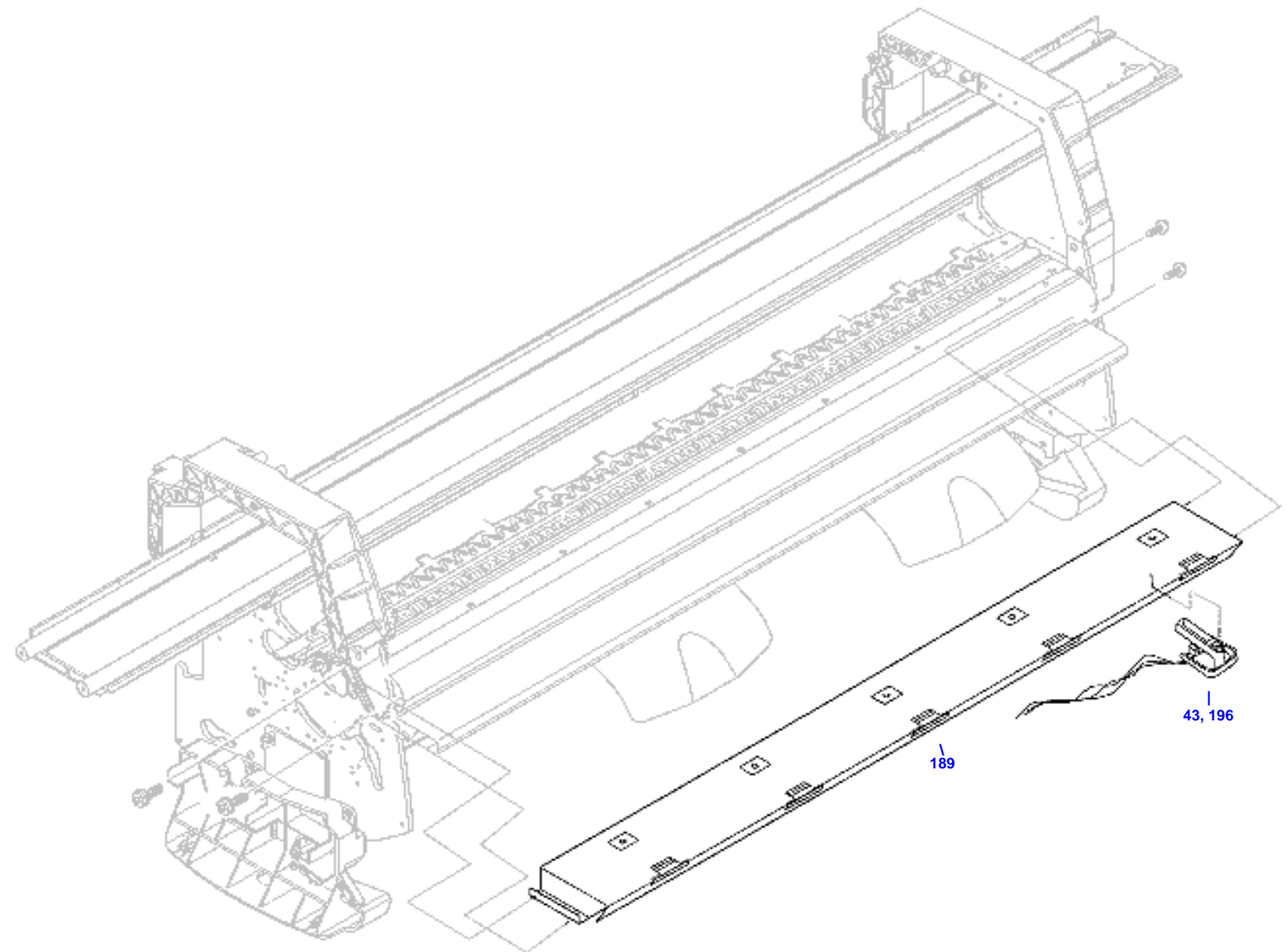
Carriage Assembly, Cutter Assembly, Trailing Cable



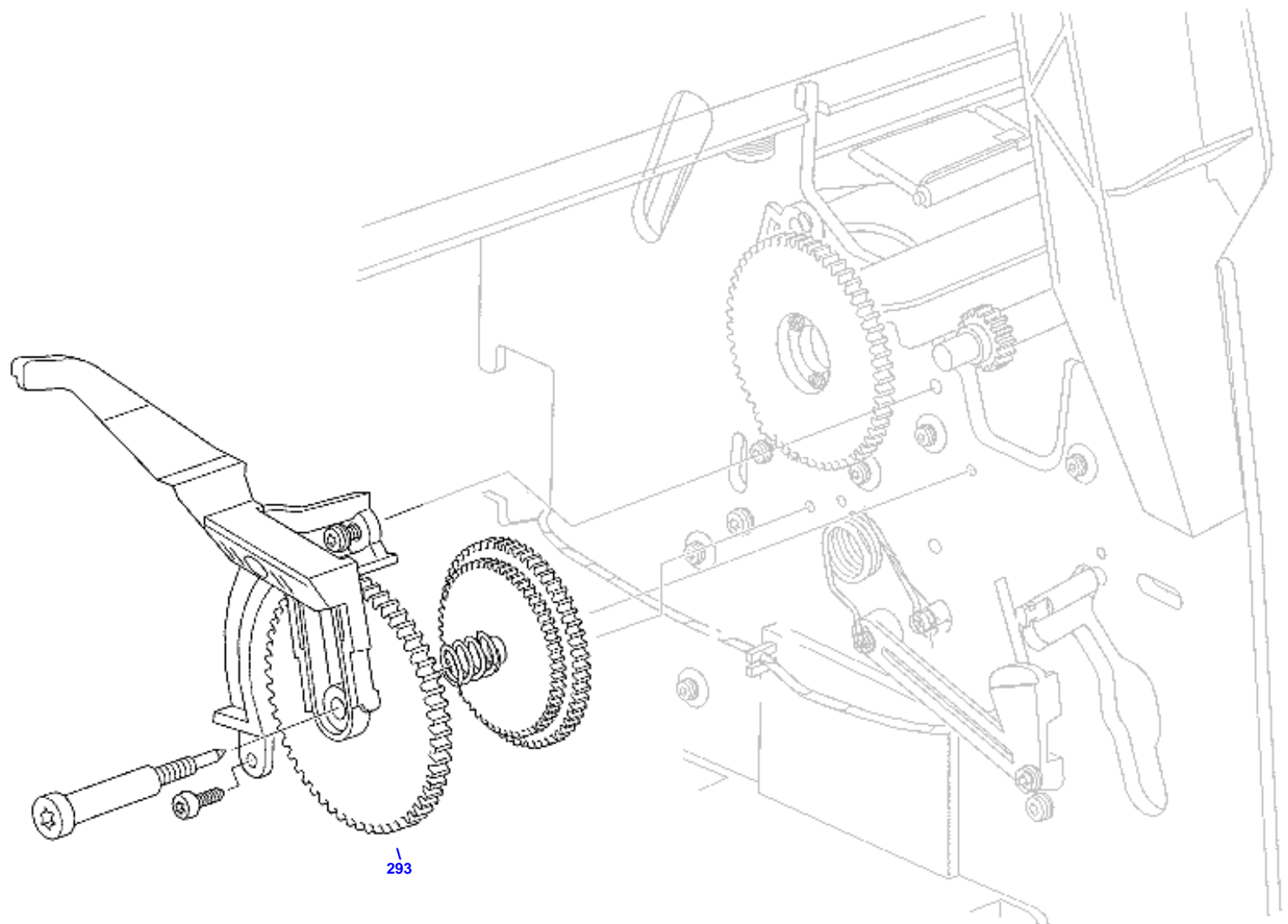
Carriage Motor, Carriage Belt, Encoder, Rollfeed



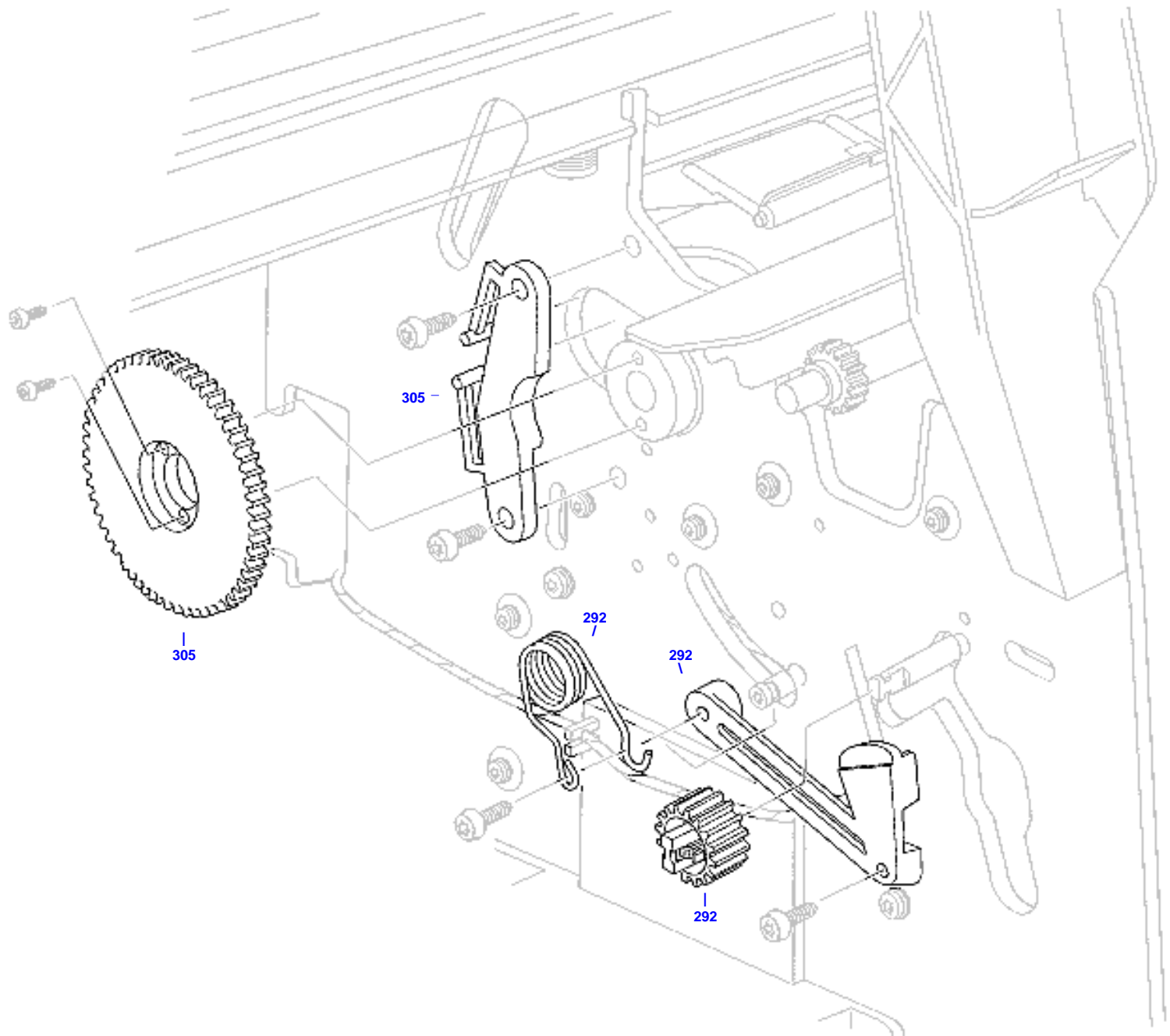
Center Guide and Media Sensor



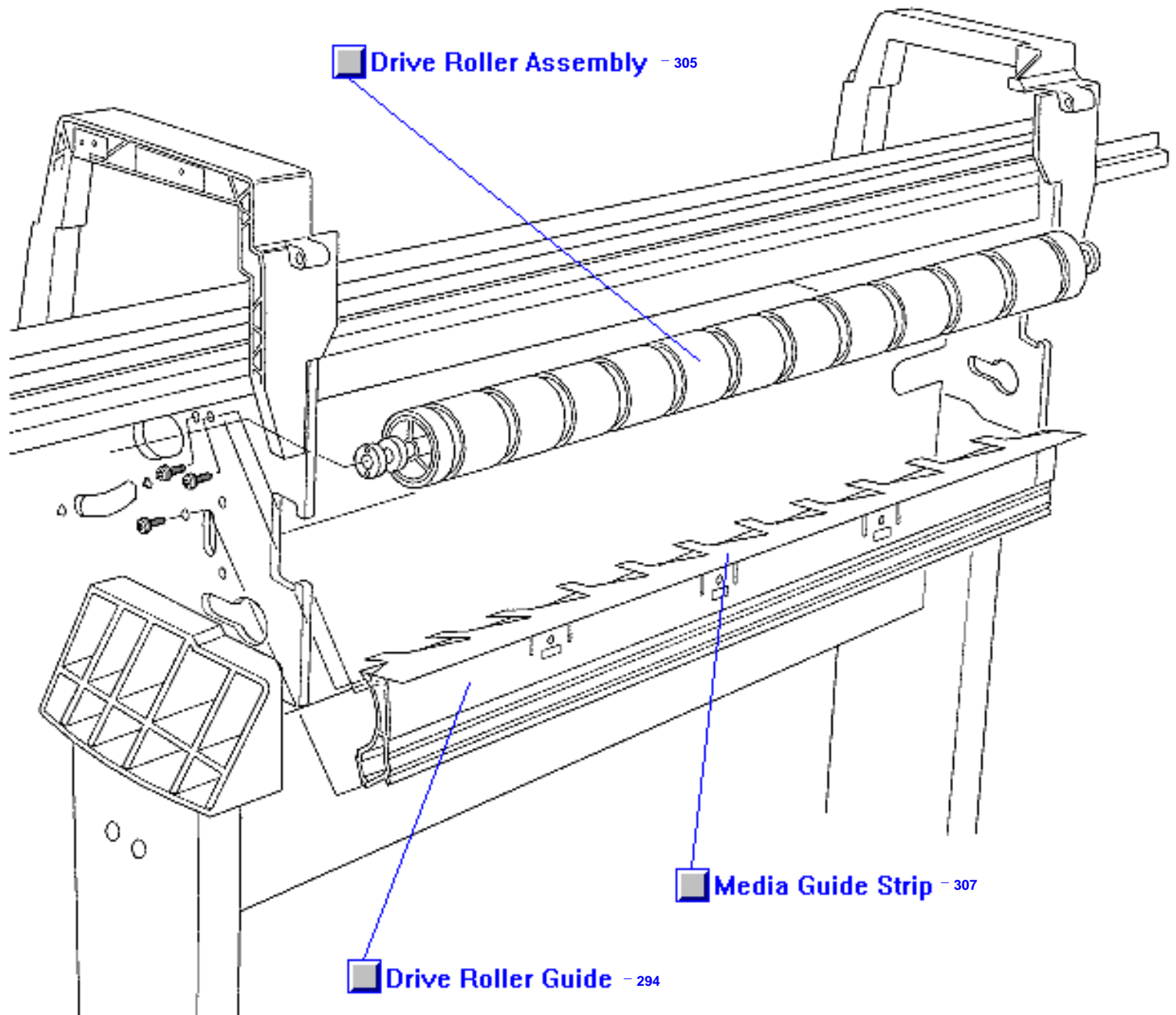
Clutch Assembly



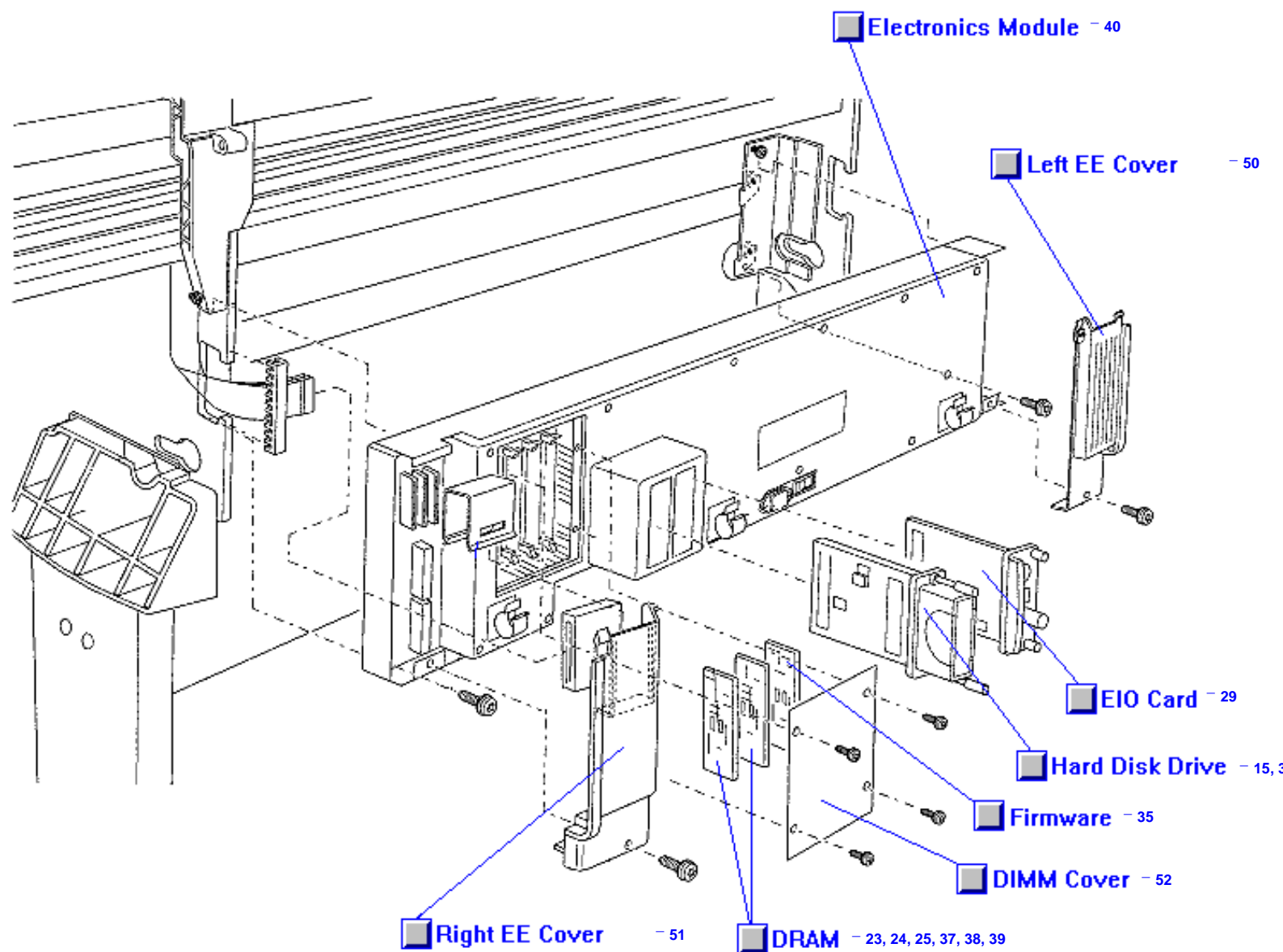
Drive Roller Gear and Miscellaneous ARSS Parts



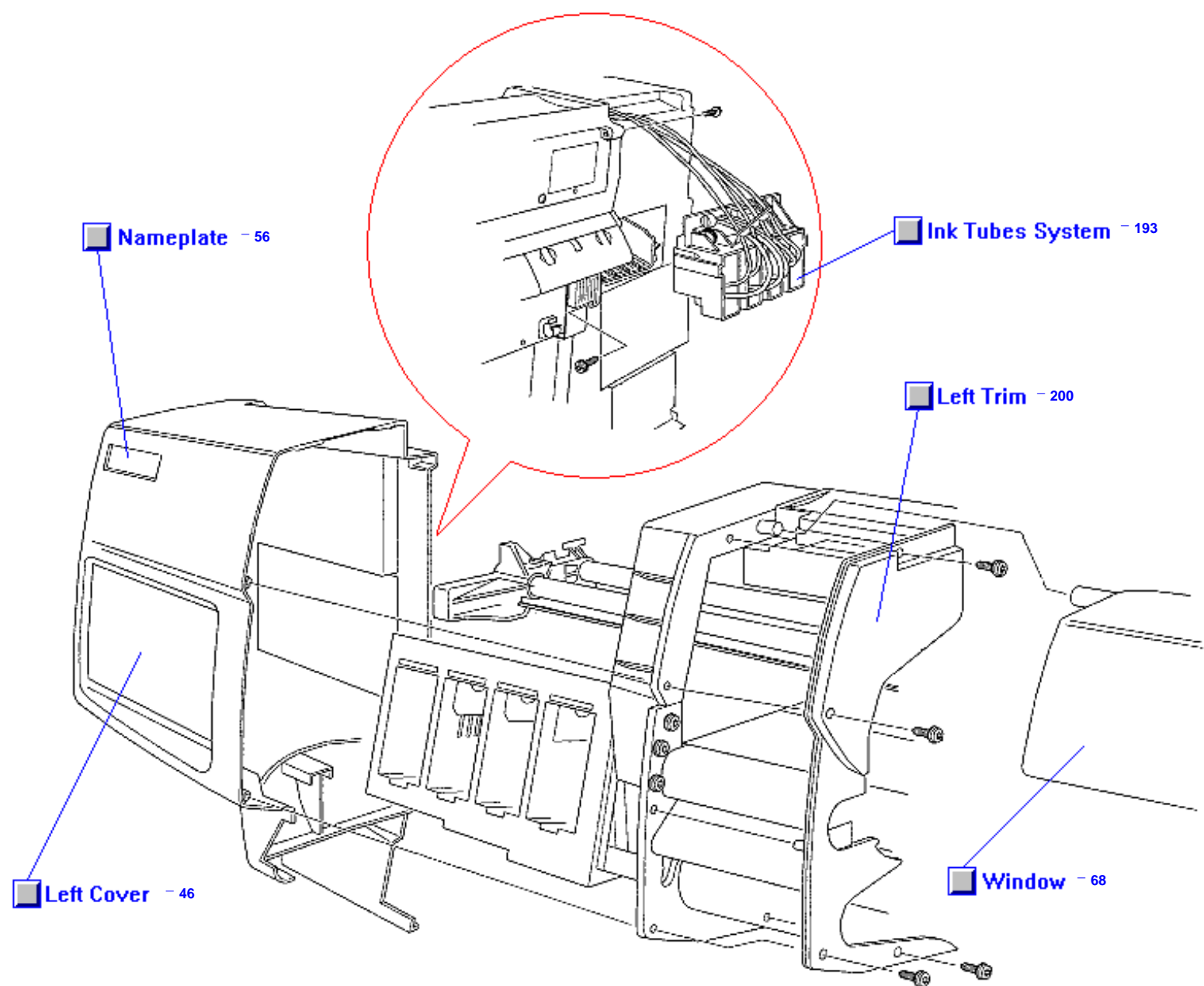
Drive Roller, Drive Roller Guide, Media Guide Strip



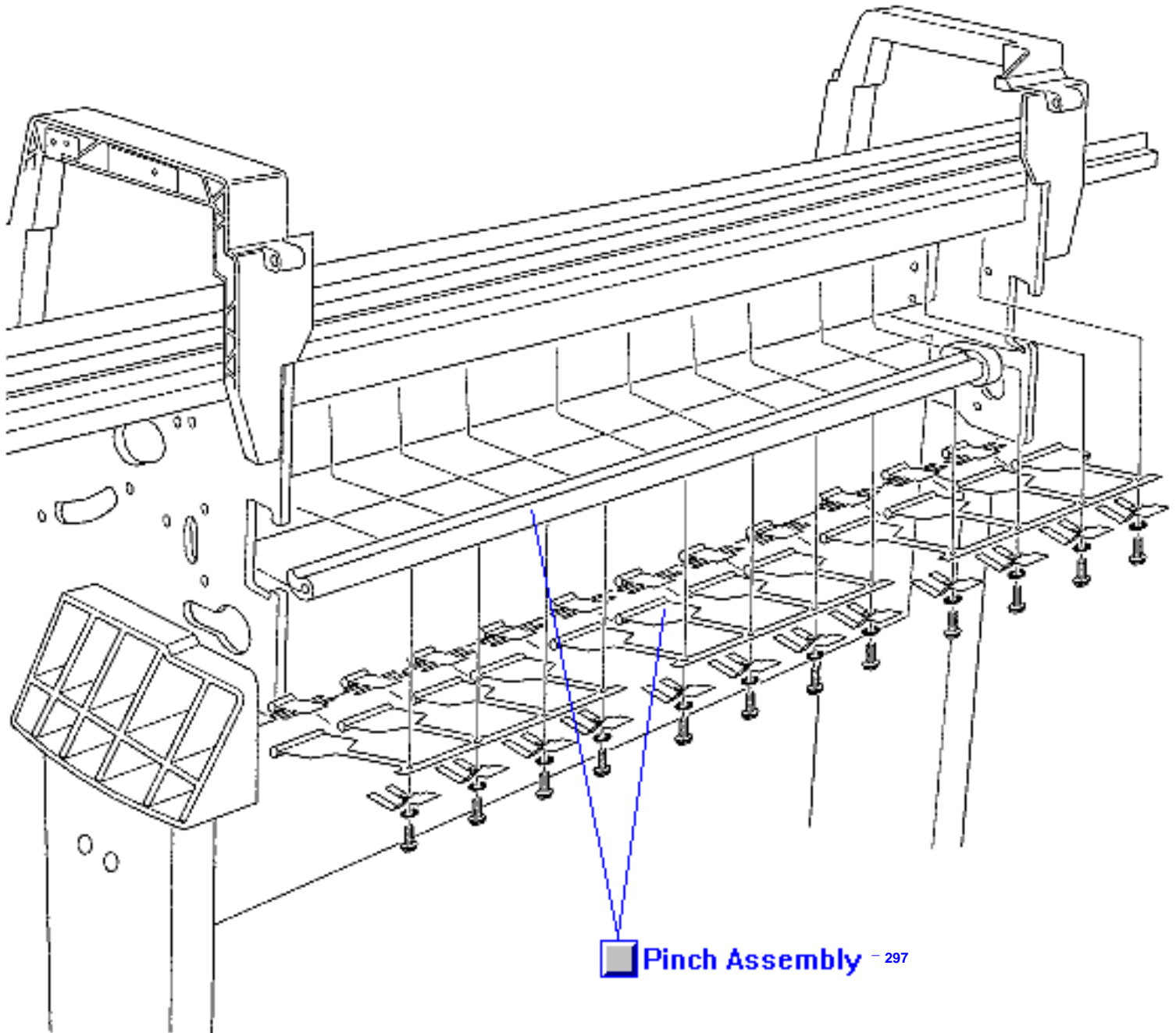
Electronics Module and Plug-in Devices



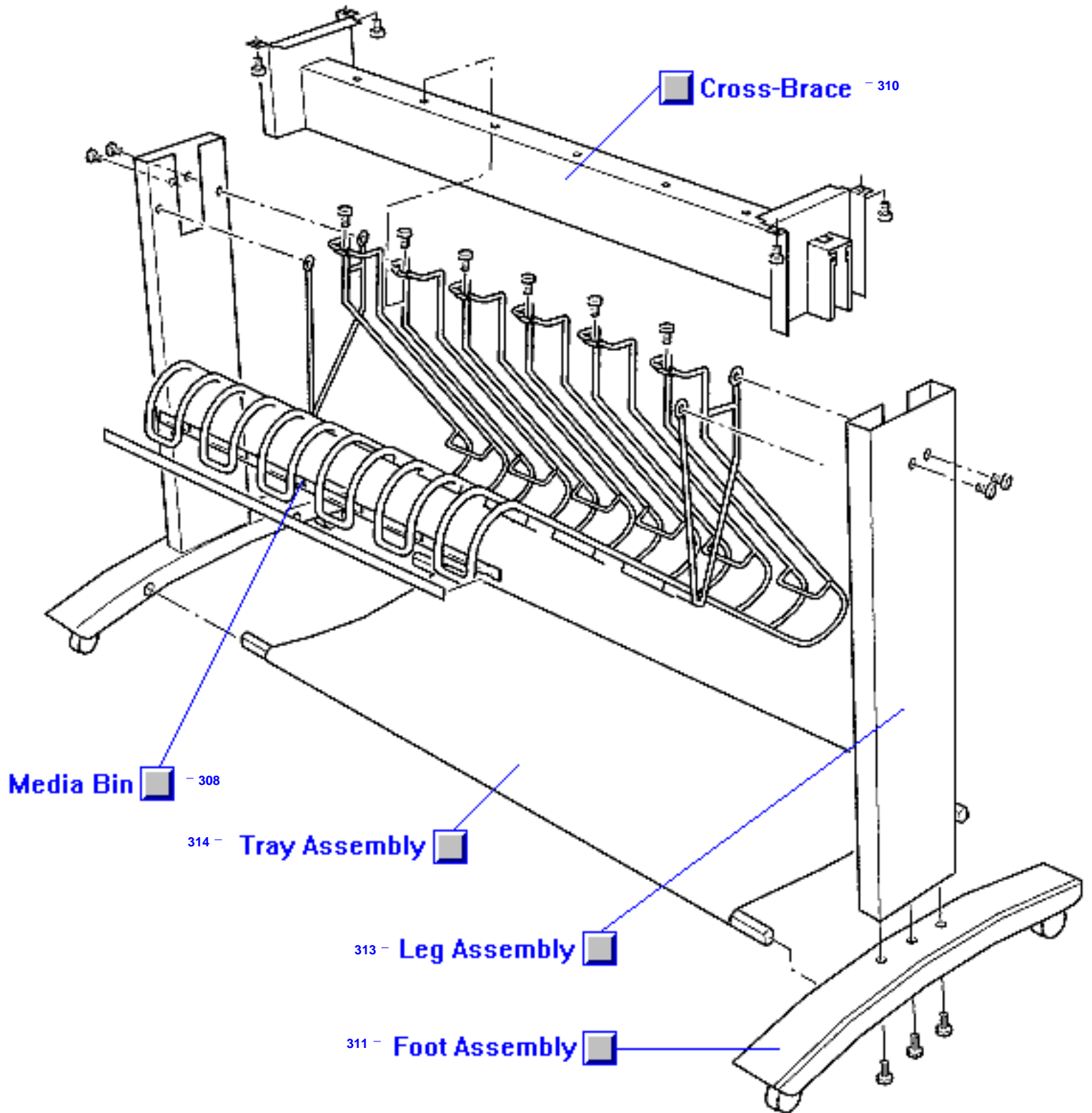
Left Cover, Ink Tubes System, Window



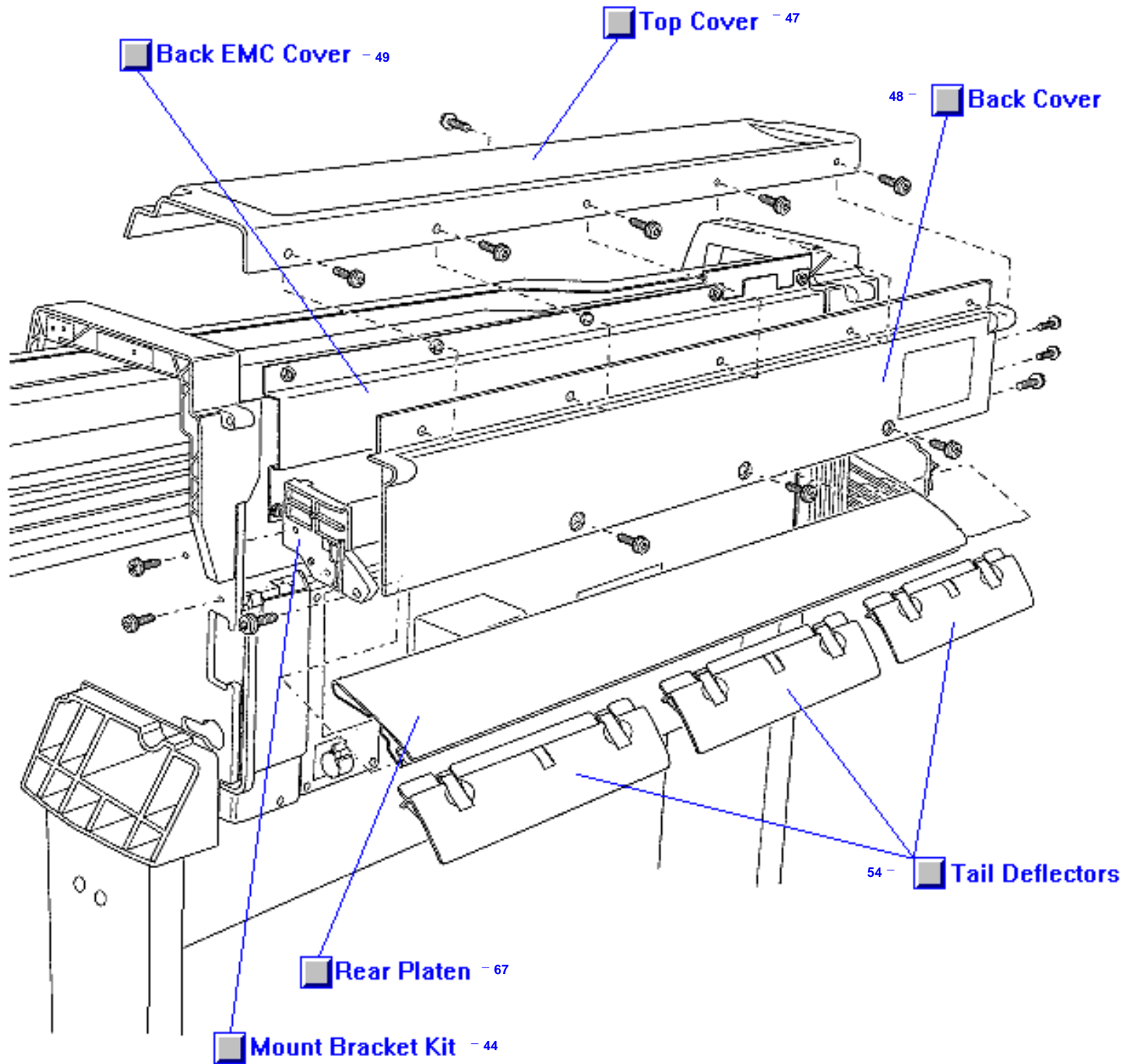
Pinch Assembly



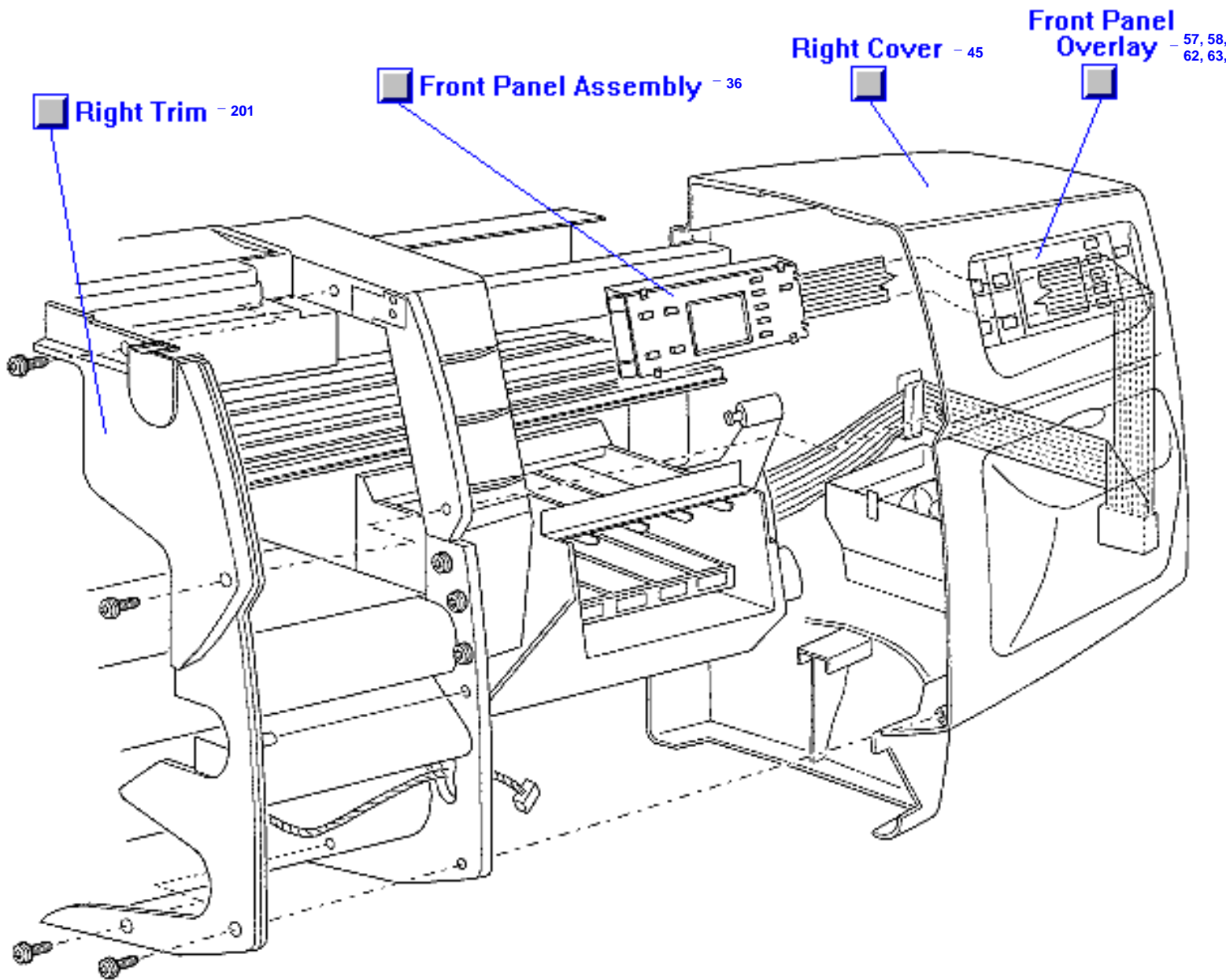
Printer Stand



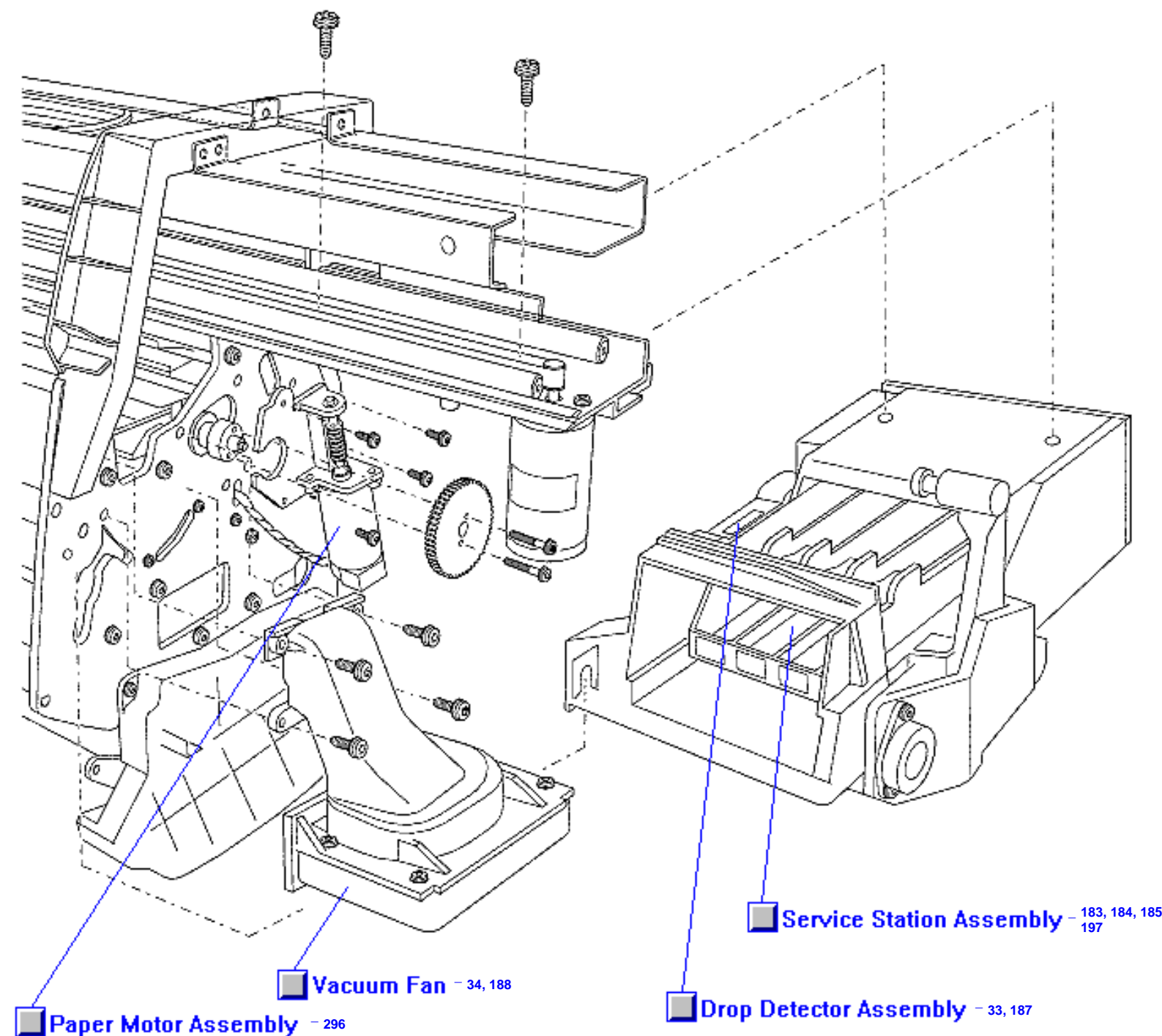
Rear Covers



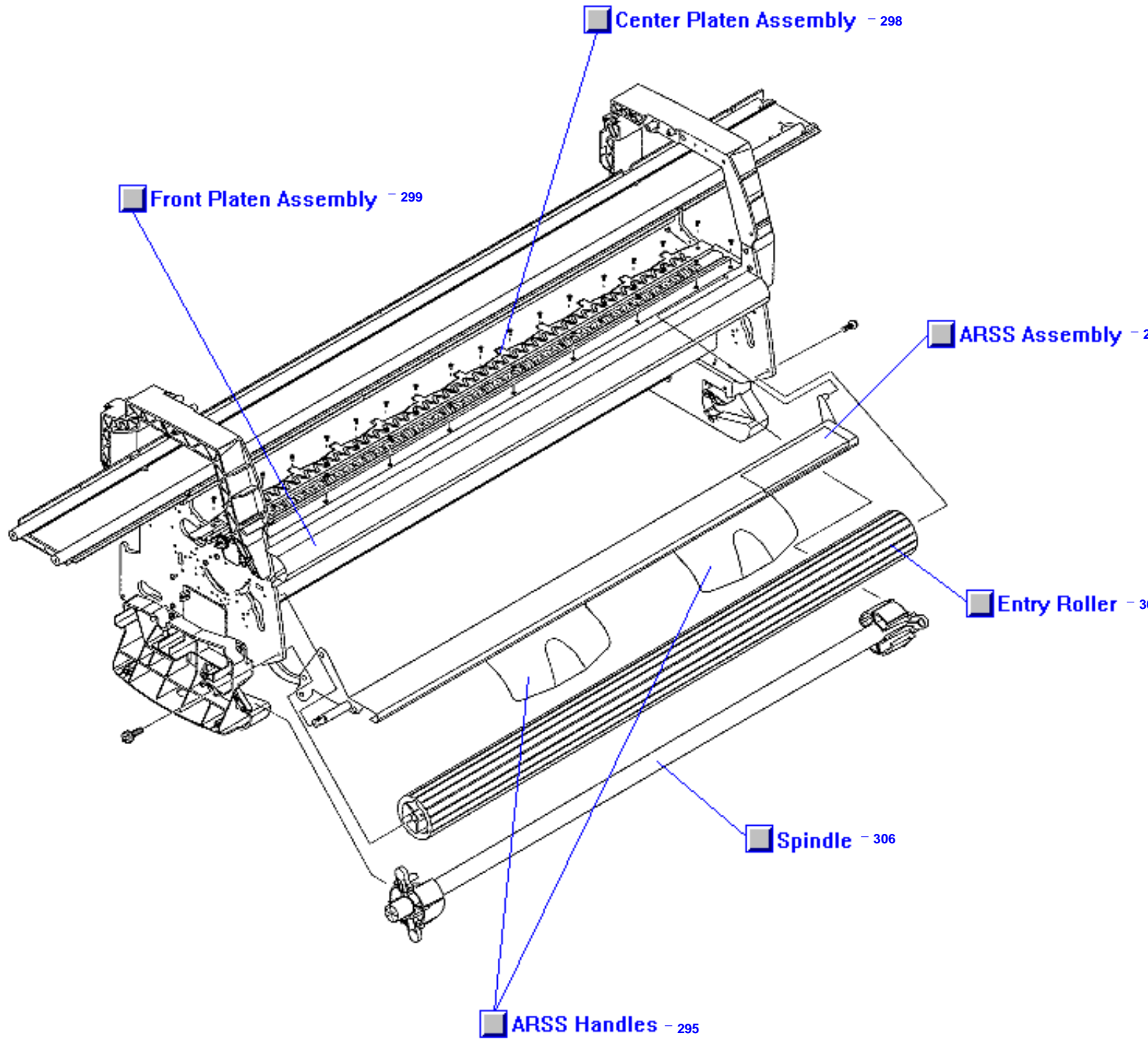
Right Cover and Front Panel Assembly



Service Station, Vacuum Fan, Paper Motor

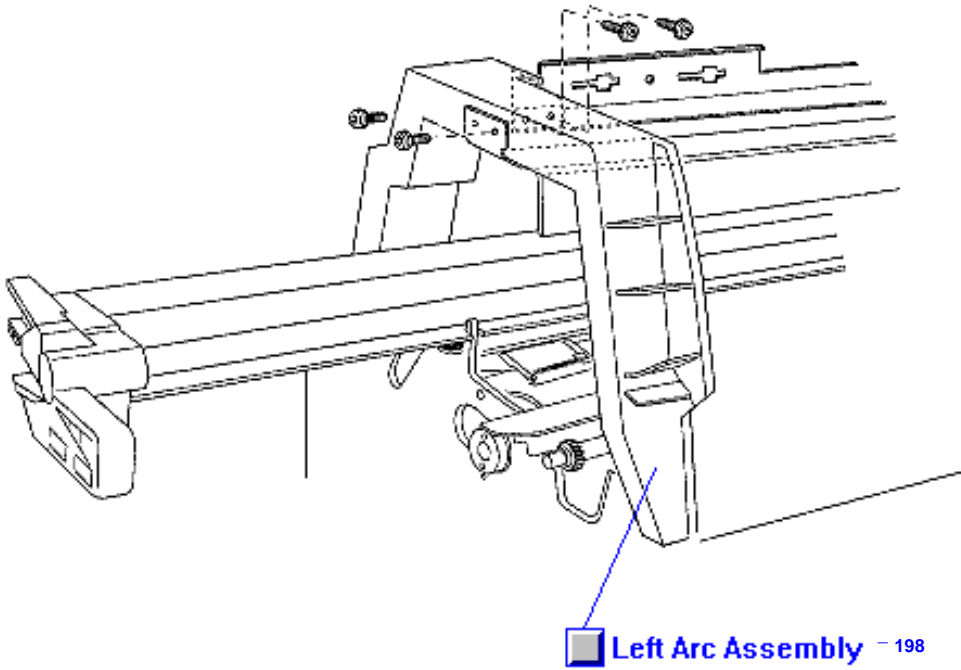


Spindle and Paper Path Parts

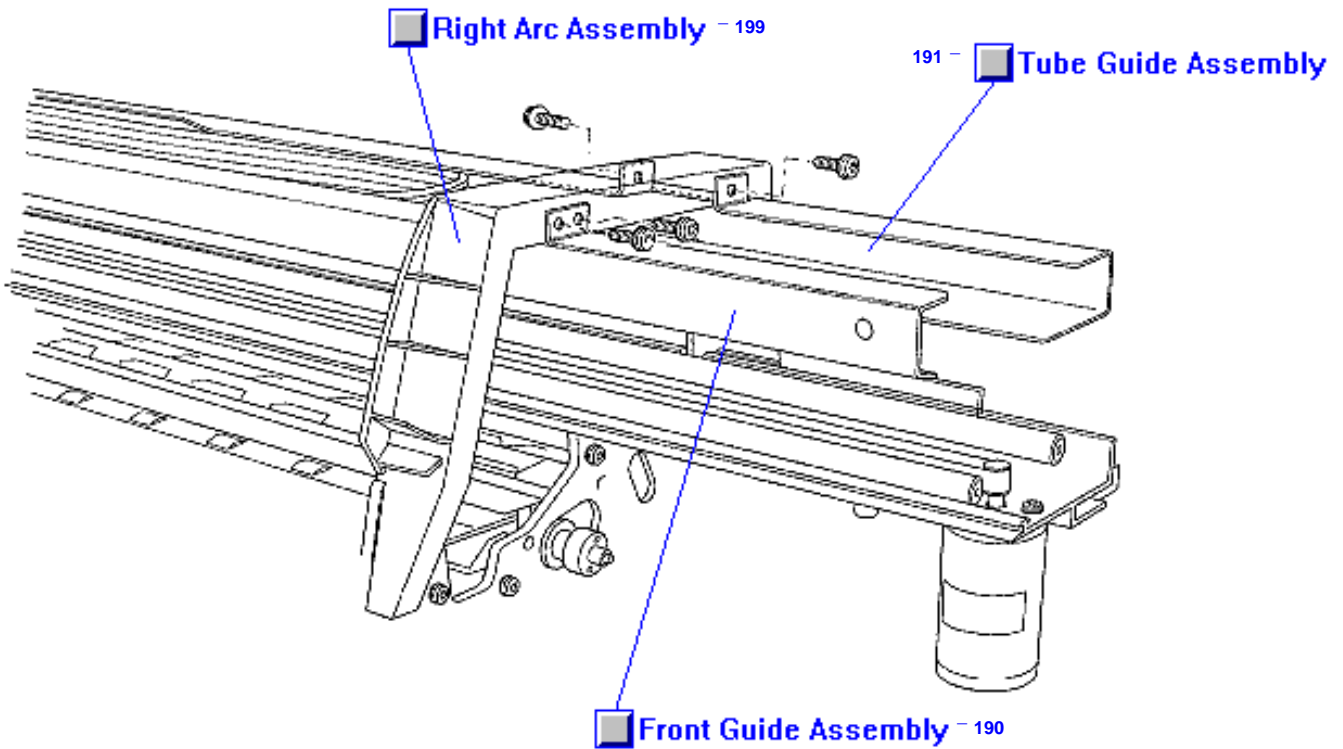


Tubes Guide, Front Guide, Left and Right Arcs

Left View



Right View





**HP Parts Reference Guide**

<http://www.hp.com/go/parts>

**HP PartSurfer**

<http://partsurfer.hp.com>

**HP Parts Ordering Information**

<http://www.hp.com/go/hpparts>

**HP Parts Questions/Comments**

<http://partsurfer.hp.com/contactus.htm>