

Parts and Diagrams

7

Right Hand Covers 7-2
Left Hand Covers 7-4
Center Covers 7-6
Electronics Module 7-8
Control Panels 7-10
Carriage Assembly 7-12
Scan-Axis Assemblies 7-14
Paper Path Assemblies 7-16
Media Entry Assemblies 7-18
Take-Up-Reel Assemblies 7-20
Capping Assemblies 7-22
Wiping Assemblies 7-24
Ink Supply and Subtank Tubes 7-26
Ink Supply and Subtank Assemblies 7-28
Printer Stand and Waste Bottle 7-30
Media Feed and TUR Sensors 7-32
Accessories 7-34
Service Tools 7-36

Right Hand Covers

Right Hand Covers			
Reference on Drawing	HP Part Number	Quantity	Description/Comments
1	Q6665-60011	2	Top Side Cover
2	Q6693-60003	2	Upper Side Cover
3	Q6665-60008	2	Lower Side Cover (includes both the left (wiping) and right (capping) Lower Side Cover)
4	Q6665-60005	1	Capping Door
5	Q6665-60006	1	Lower Capping Cover
6	Q6693-60004	1	Right Subtank Cover
7	Q6665-60014	1	Right Ink Cartridge Door (contains the hinges)
8	Q6665-60016	4	Side Ink Cartridge Cover
9	Q6693-60007	1	Right Rear Ink Cartridge Cover
10	Q6665-60091	1	Plastic Exhaust Attachment

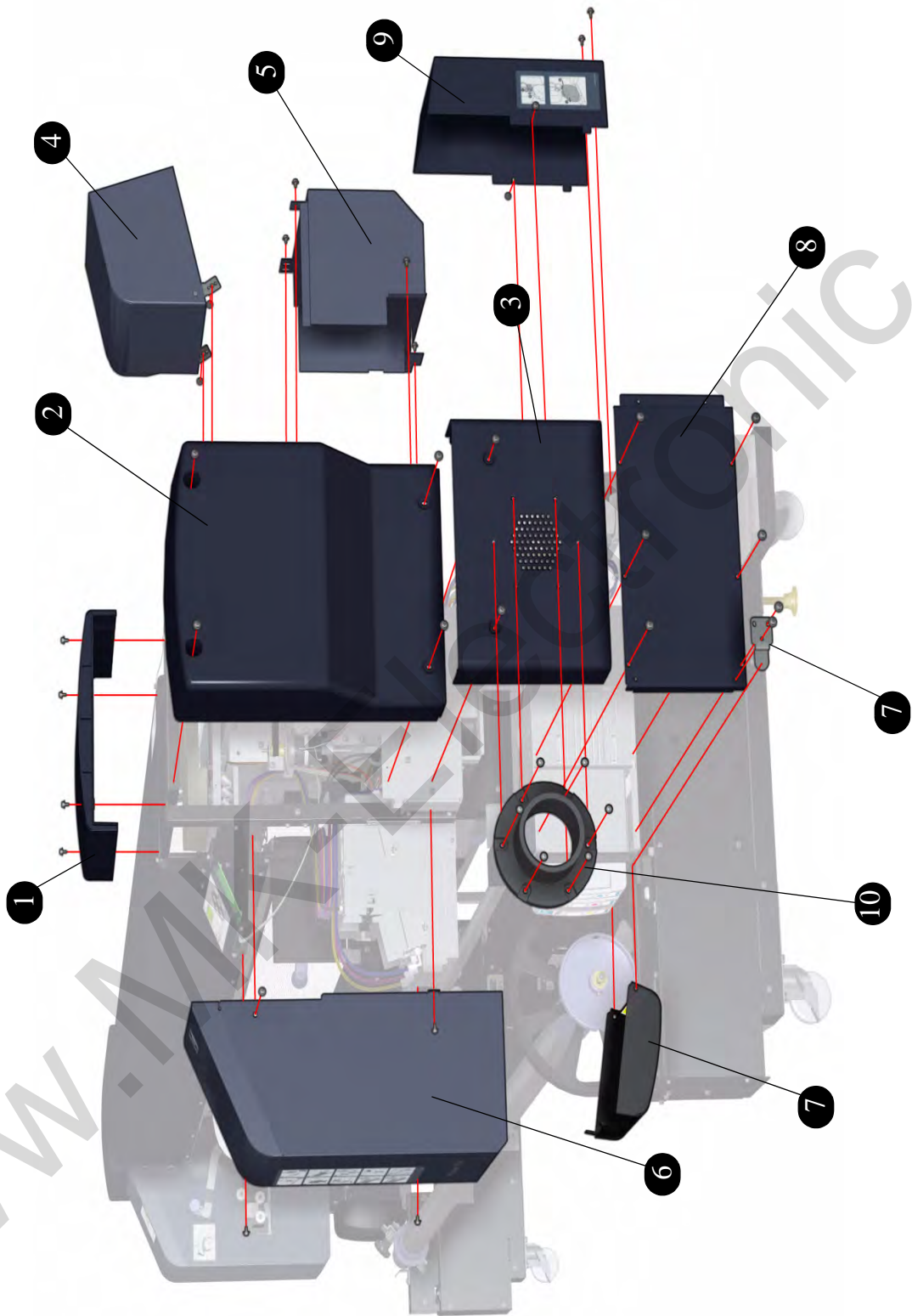


Figure 1: Right Hand Covers

Left Hand Covers

Left Hand Covers			
Reference on Drawing	HP Part Number	Quantity	Description/Comments
1	Q6665-60011	2	Top Side Cover
2	Q6665-60007	2	Upper Side Cover
3	Q6665-60008	2	Lower Side Cover (includes both the left (wiping) and right (capping) Lower Side Cover
4	Q6693-60001	1	Wiping Door
5	Q6665-60003	1	Lower Wiping Cover
6	Q6693-60005	1	Left Subtank Cover
7	Q6665-60015	1	Left Ink Cartridge Door (contains the hinges)
8	Q6665-60016	4	Side Ink Cartridge Cover
9	Q6665-60081	1	Left Rear Ink Cartridge Cover

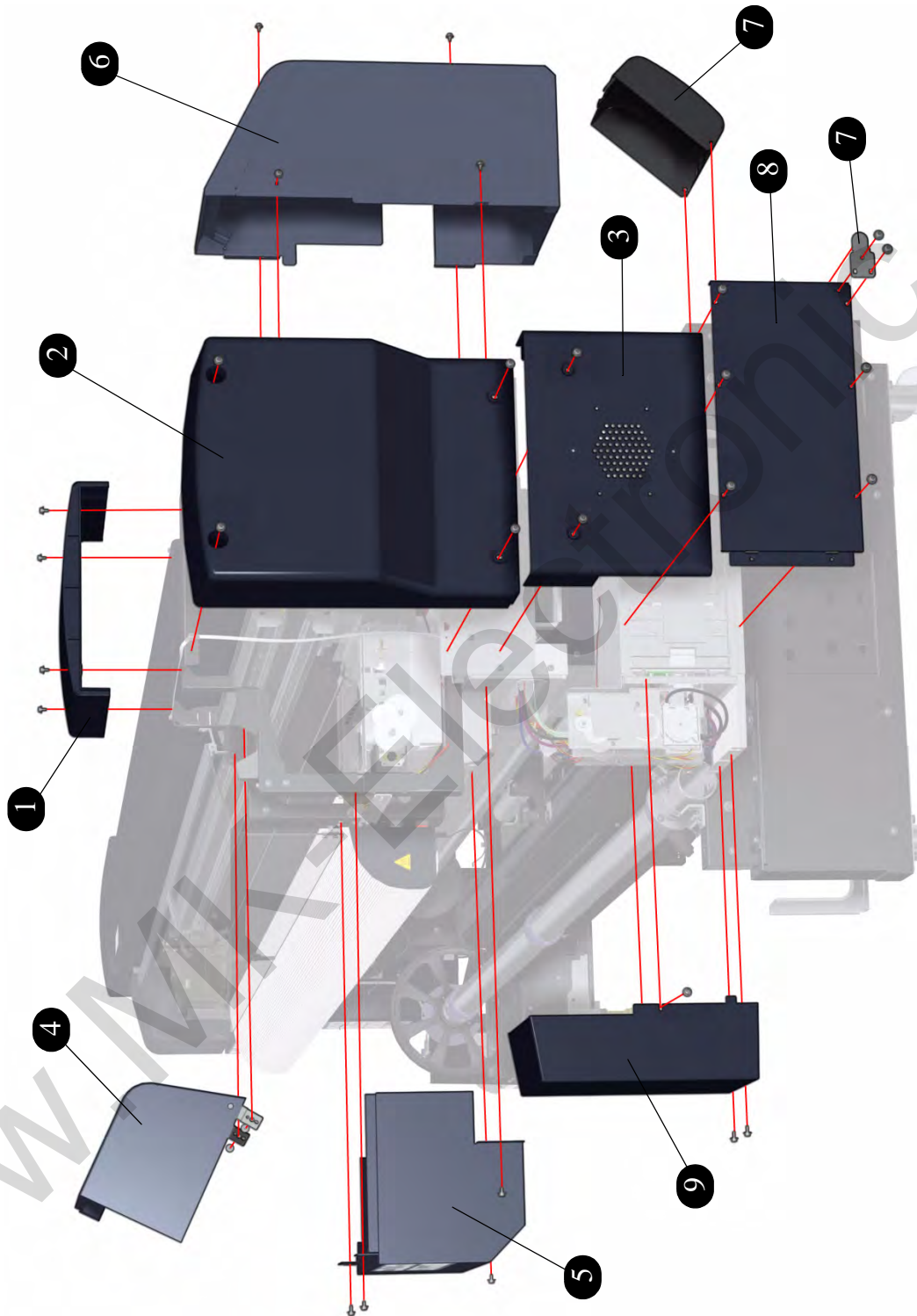


Figure 2: Left Hand Covers

Center Covers

Center Covers			
Reference on Drawing	HP Part Number	Quantity	Description/Comments
1	Q6693-60006	1	Rear Cover ***
2	Q6693-60002	1	Top Cover ***
3	Q6693-60011	1	Electronics Module Cover ***
4	Q6665-60021	1	Firmware Access Cover

*** These parts are contained in boxes that measure at least 3 meters, so should be dispatched directly from the parts stock to the customer.

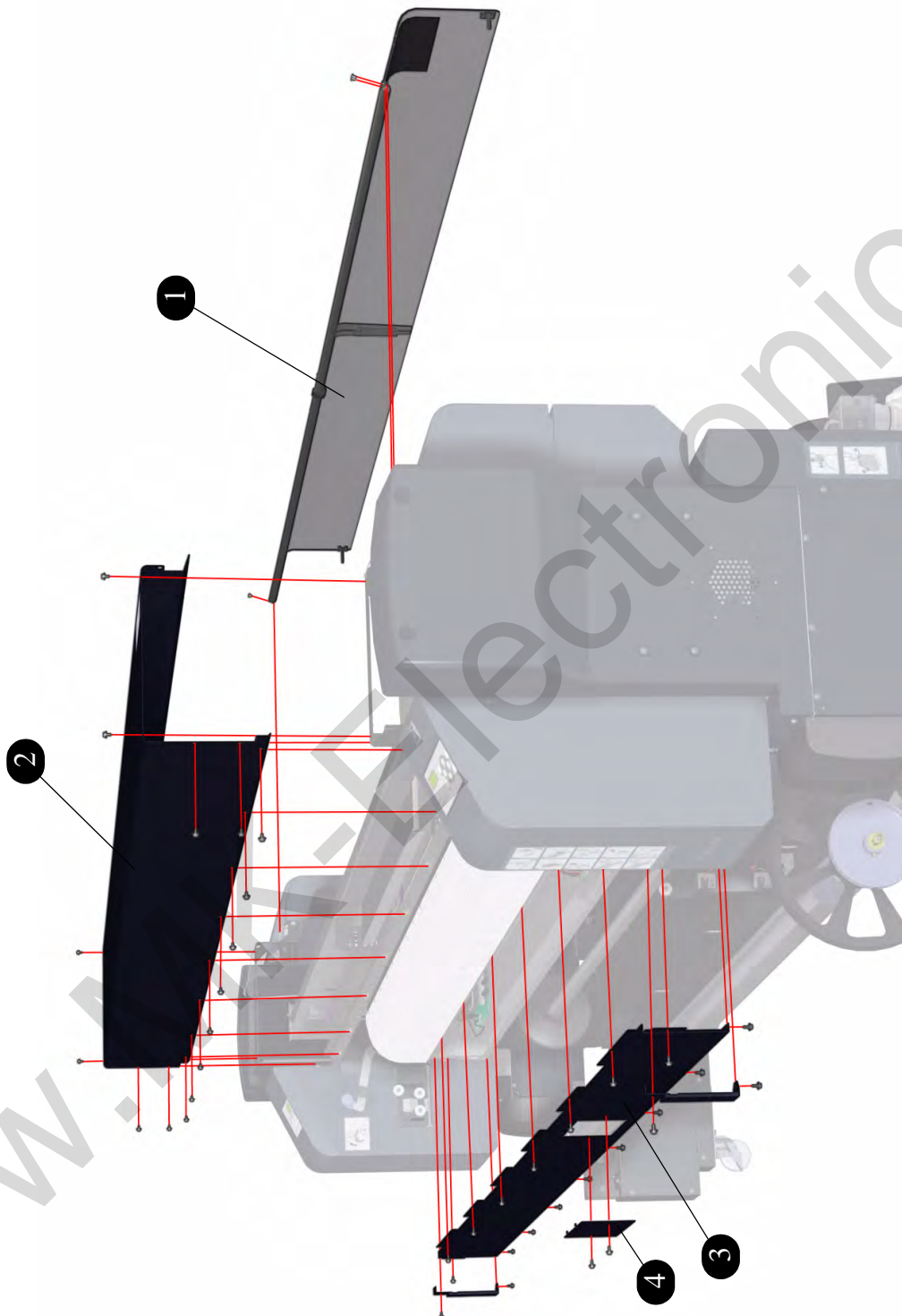


Figure 3: Center Covers

Electronics Module

Electronics Module			
Reference on Drawing	HP Part Number	Quantity	Description/Comments
1	Q6693-60010	1	Power Supply Unit
2	Q6665-60017	1	NVRAM
3	Q6693-60008	1	Main PCA (includes NVRAM, part # Q6665-60017)
4	Q6665-60019	1	Head Relay Board
5	Q6693-60009	1	Heater Relay Assembly (includes the metal support tray and the AC2 Power Connector)
6	Q6693-60031	1	Add-on (HEB2) Control PCA
7	Q6693-60032	1	Switching Power Supply

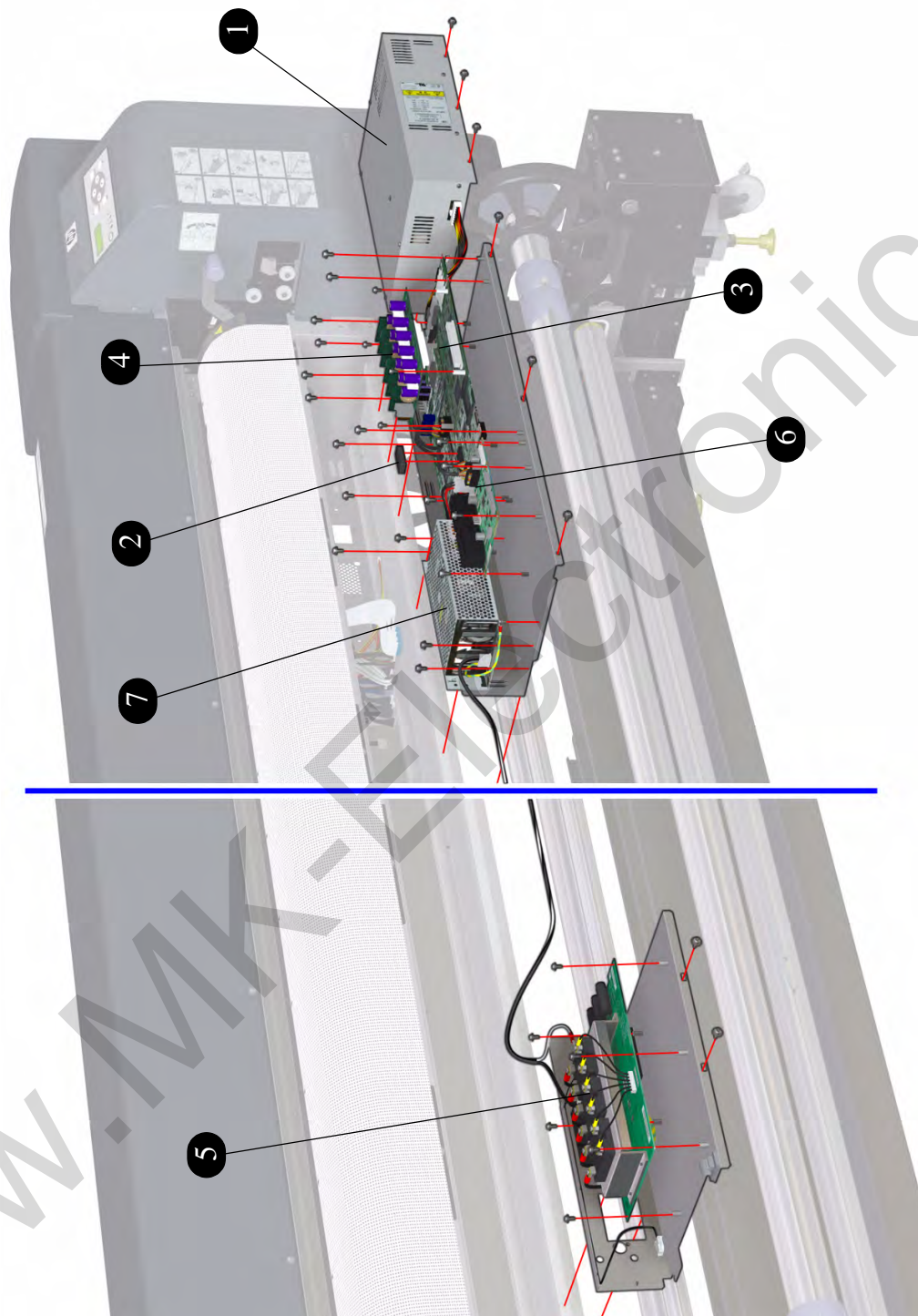


Figure 4: Electronics Module

Control Panels

Control Panels			
Reference on Drawing	HP Part Number	Quantity	Description/Comments
1	Q6665-60027	1	Front Panel
2	Q6665-60025	1	Heater Panel

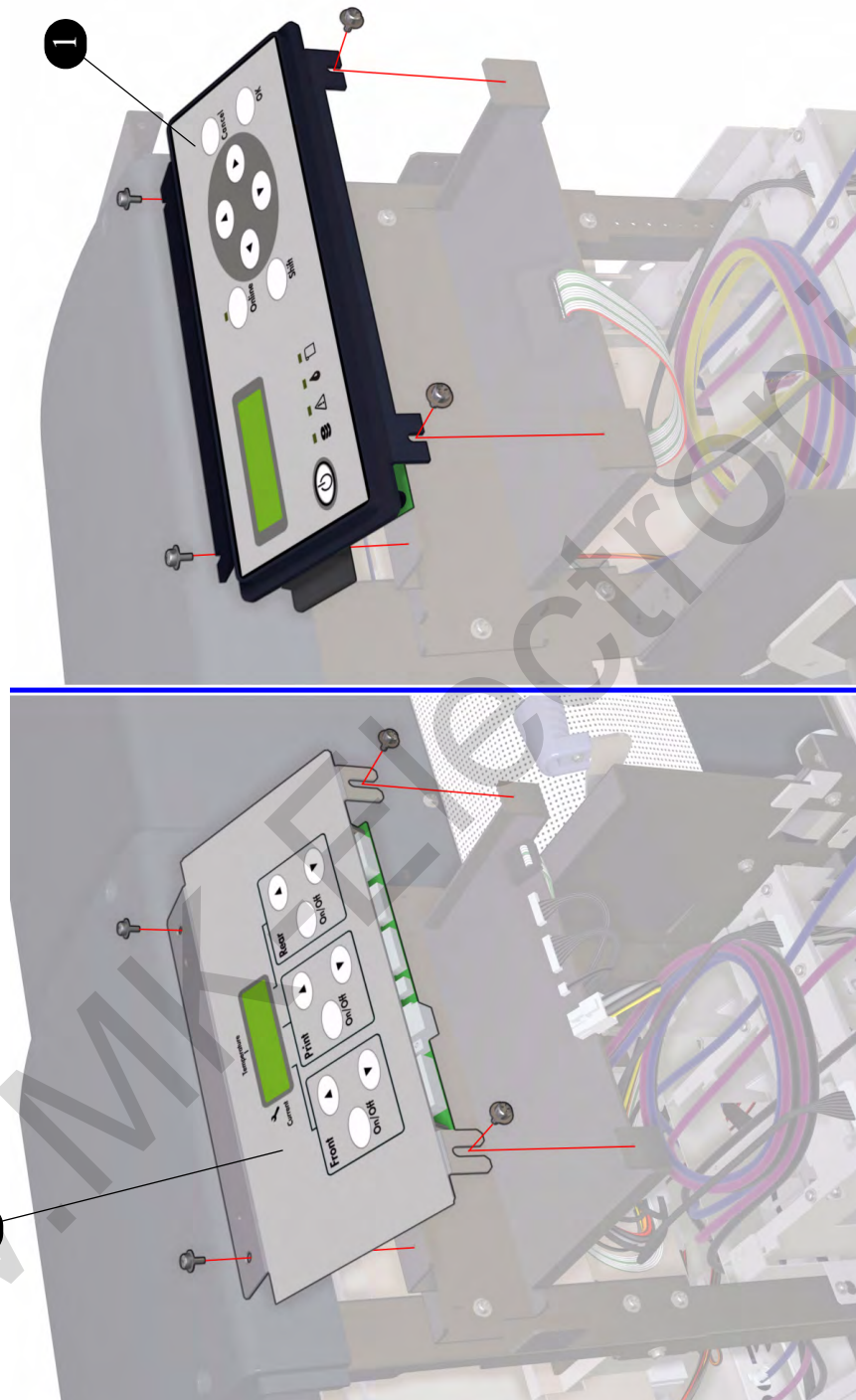


Figure 5: Control Panels

Carriage Assembly

Carriage Assembly			
Reference on Drawing	HP Part Number	Quantity	Description/Comments
1	Q6665-60052	2	Printhead Cooling Fan (includes two fans)
2	Q6665-60048	1	Carriage PCA
3	Q6665-60001	6	Printhead (does not include the Printhead Connector Assembly)
4	Q6665-60047	6	Printhead Connector Assembly (comes in a kit of 3 Cables - one for the left hand Printhead, one for the Center Printhead and one for the right hand Printhead).
5	Q6665-60049	1	Encoder Sensor
6	Q6665-60050	1	Line Sensor
7	Q6693-60021	6	Air Damper Kit (includes six Air Dampers, tubes going to the Printheads and 1 tie wrap to secure the Light Cyan tube)
8	Q6693-60018	1	Encoder Strip
9	Q6665-60026	1	Carriage Home Position Sensor (this Sensor is also the same as the Media Lever Sensor)
10	Q6693-60039	1	Discharge Brush

Scan-Axis Assemblies

Scan-Axis Assemblies			
Reference on Drawing	HP Part Number	Quantity	Description/Comments
1	Q6693-60020	1	Trailing Cable Assembly (includes four pre-folded cables)
2	Q6693-60019	1	Belt
3	Q6665-60045	1	Tension Pulley
4	Q6665-60043	1	Drive Pulley (includes the Black Rubber Belt)
5	Q6665-60044	1	Scan-Axis Motor Assembly
6	Q6665-60092	1	Media-Axis Motor Belt

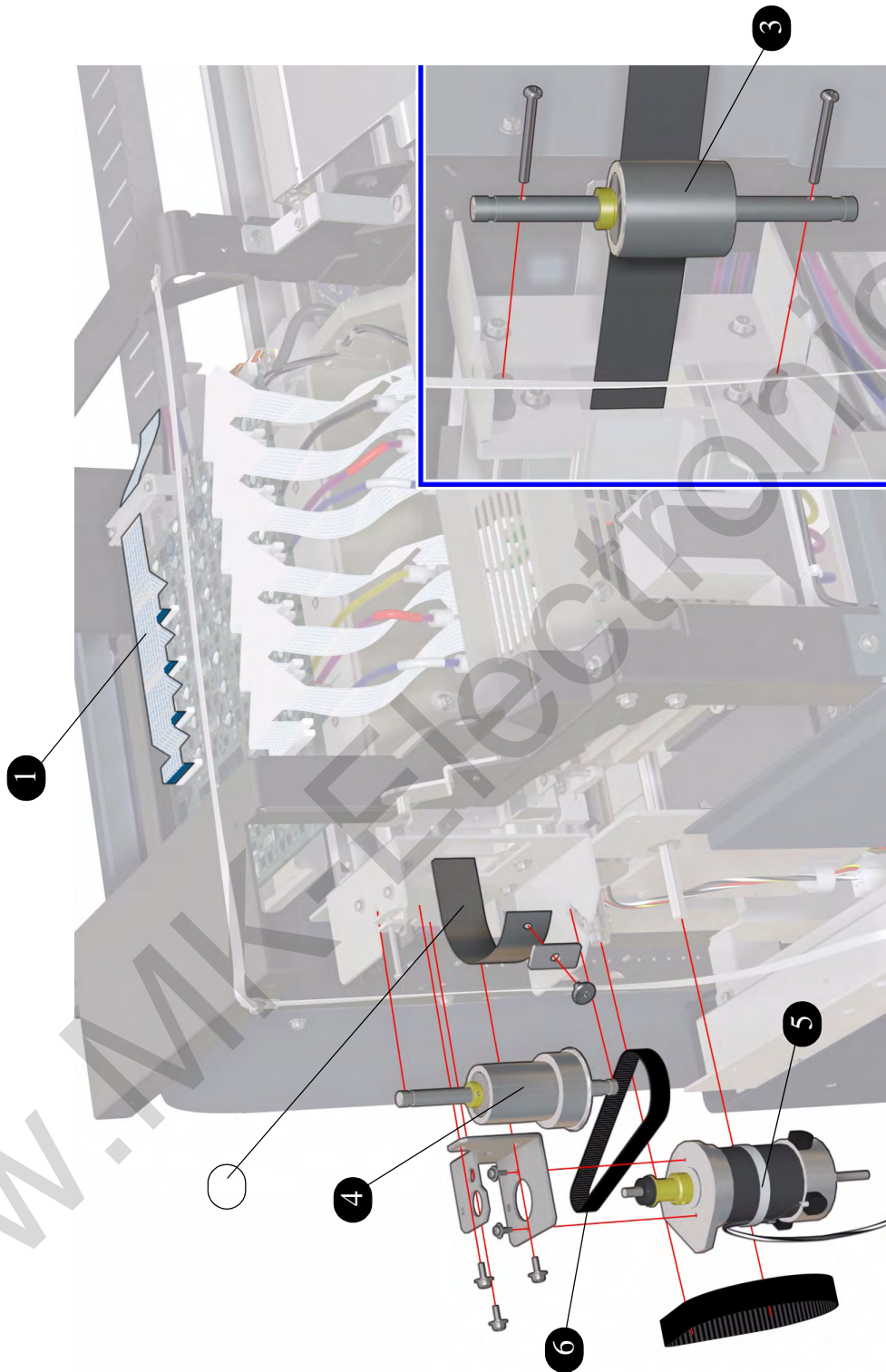


Figure 7: Scan-Axis Assemblies

Paper Path Assemblies

Paper Path Assemblies			
Reference on Drawing	HP Part Number	Quantity	Description/Comments
1	Q6693-60013	1	Front Heater ***
2	Q6693-60012	1	Center Platen ** ***
3	Q6693-60014	1	Rear Heater ***
4	Q6665-60030	5	Vacuum Fan
5	Q6693-60016	1	Paper-Axis Motor (includes Belt, Gear, Spring, Washer and Bearing)
6	Q6665-60028	2	Media Edge Guard (includes eight screws and four small Guides)
7	Q6693-60017	40	Pinch Roller Kit
8	Q6693-60060	40	Pinch Roller Blade
9	Q6665-60033	2	Media Sensor (Front and Rear)
10	Q6665-60026	1	Media Lever Sensor (this Sensor is also the same as the Carriage Home Position Sensor)
11	Q6693-60015	1	Front and Rear Net Kit
12	Q6665-60034	2	Lever Knob
13	Q6693-60038	1	Media Drive Roller ** ***

** When ordering the Center Platen or the Media Drive Roller, you MUST also order the Platen Flatness Adjustment Tools (Part Number Q6693-60037). Also, due to the size and weight of the Center Platen and the Media Drive Roller, two Customer Engineers are required when installing these parts.

*** These parts are contained in boxes that measure at least 3 meters, so should be dispatched directly from the parts stock to the customer.

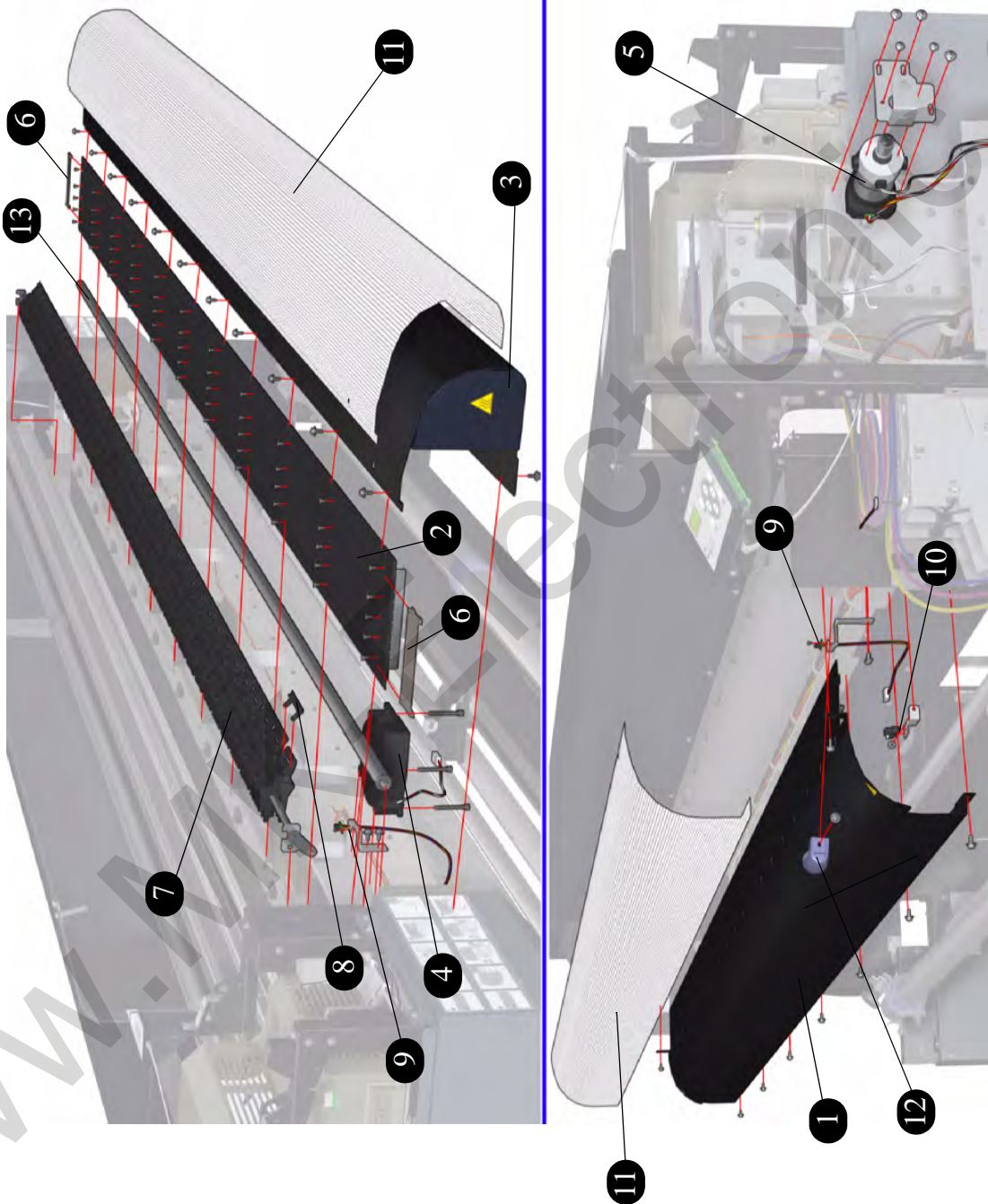


Figure 8: Paper Path Assemblies

Media Entry Assemblies

Media Entry Assemblies			
Reference on Drawing	HP Part Number	Quantity	Description/Comments
1	Q6693-60028	1	Feeder Drive Unit Assembly
2	Q6693-60029	1	Left Bottom Leg Covers (Front and Rear)
3	Q6693-60030	2	Media Scroller Support
4	Q6693-60034	2	Roller (for Feed/TUR Unit) (includes a robust Allen Key)
5	Q6693-60059	2	Timing Belt (for Feed/TUR Unit) (includes two belts per support part)

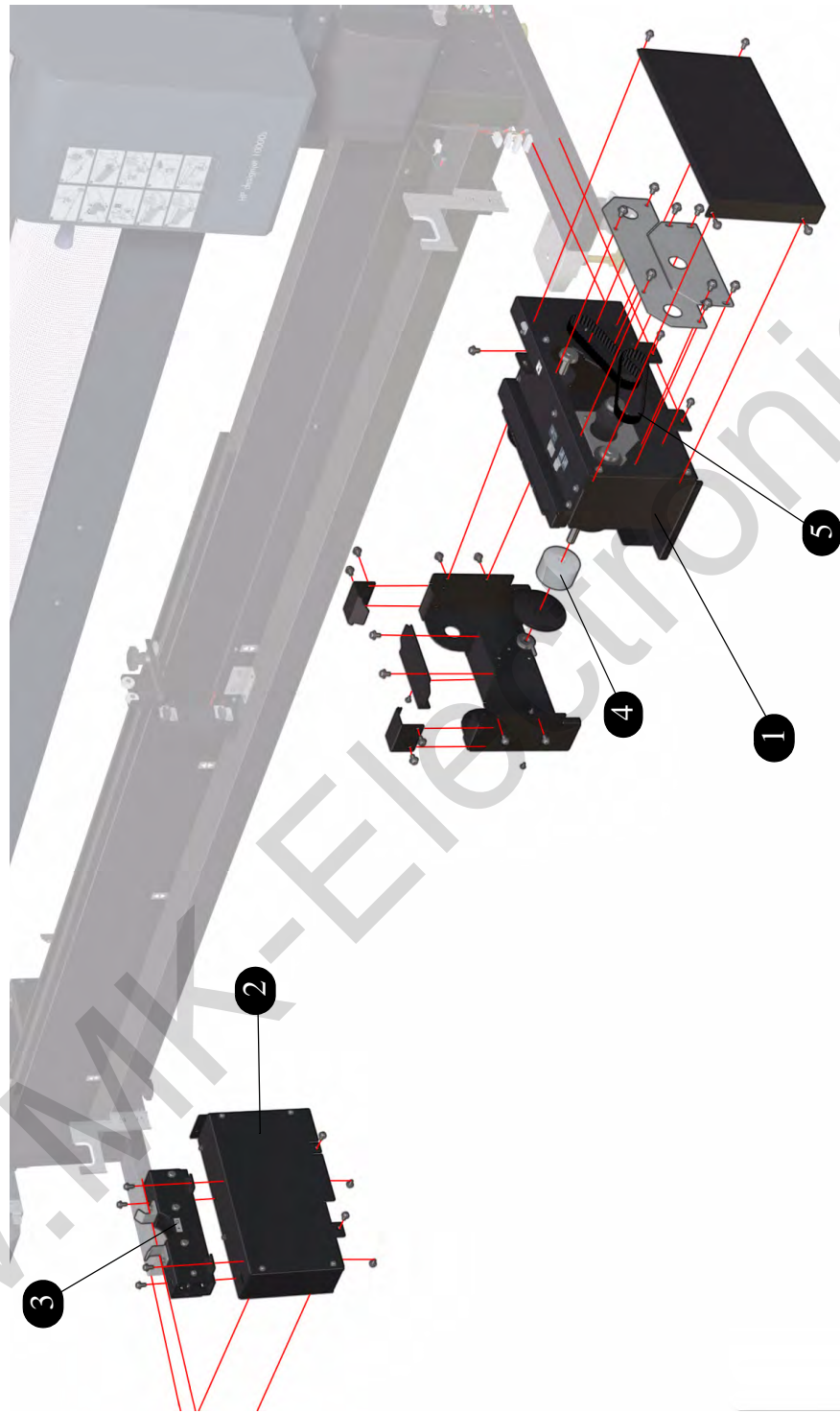


Figure 9: Media Entry Assemblies

Take-Up-Reel Assemblies

Take-Up-Reel Assemblies			
Reference on Drawing	HP Part Number	Quantity	Description/Comments
1	Q6693-60027	1	Take-Up-Reel Drive Unit Assembly
2	Q6693-60029	1	Left Bottom Leg Covers (Front and Rear)
3	Q6693-60030	2	Media Scroller Support
4	Q6693-60034	2	Roller (for Feed/TUR Unit) (includes a robust Allen Key)
5	Q6693-60059	2	Timing Belt (for Feed/TUR Unit) (includes two belts) per support part)
6	Q6693-60050	1	Right Tension Bar Guide
7	Q6693-60051	1	Left Tension Bar Guide
8	Q6693-60039	1	Discharge Brush

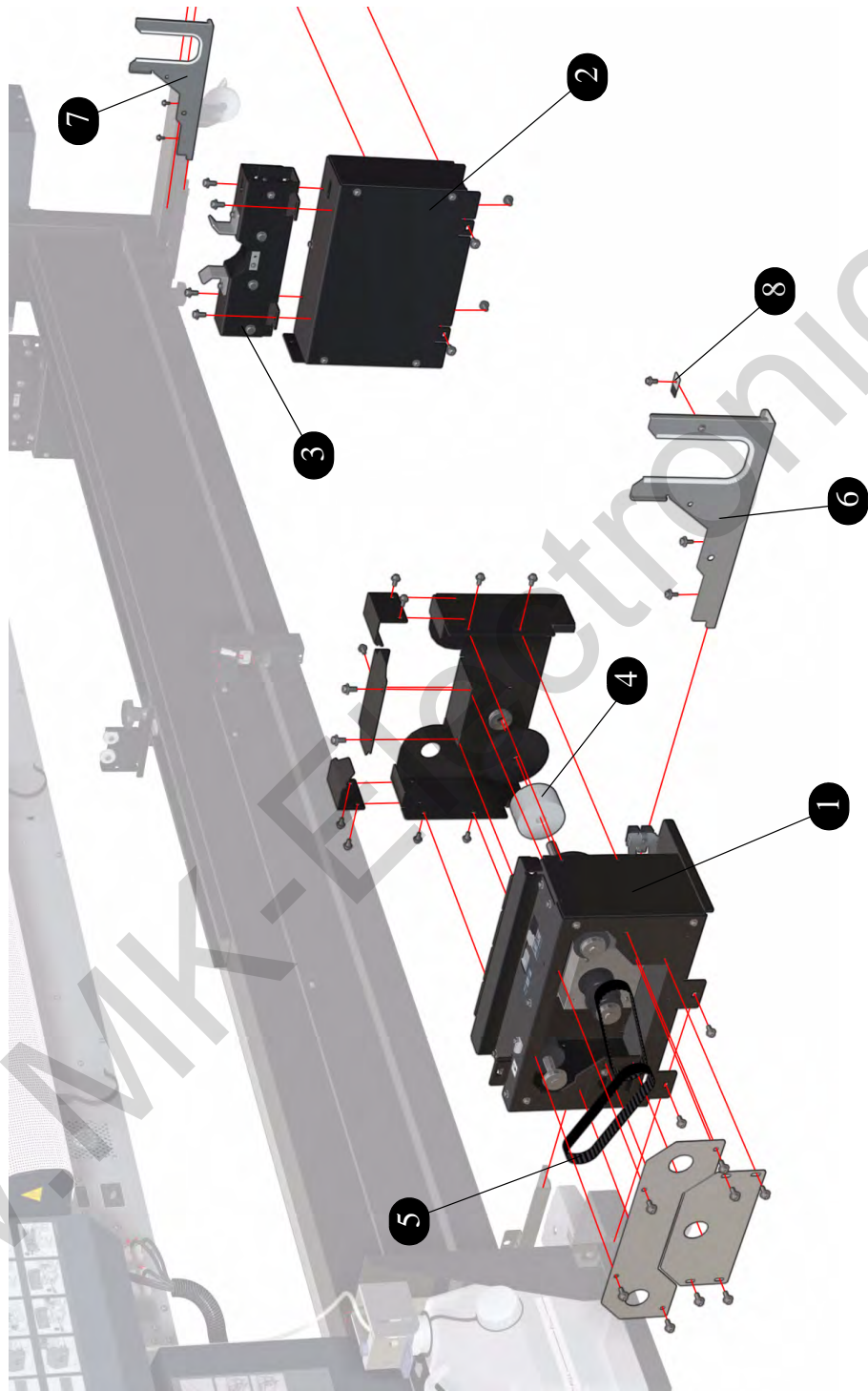


Figure 10: Take-Up-Reel Assemblies

Capping Assemblies

Capping Assemblies			
Reference on Drawing	HP Part Number	Quantity	Description/Comments
1	Q6693-60022	1	Capping Station Assembly
2	Q6665-60061	6	Capping Unit (includes 6 units)
3	Q6665-60062	2	Solenoid Assembly
4	Q6665-60063	6	Prime Assembly
5	Q6665-60024	2	Rear Cover Sensor (includes 2 sensors)

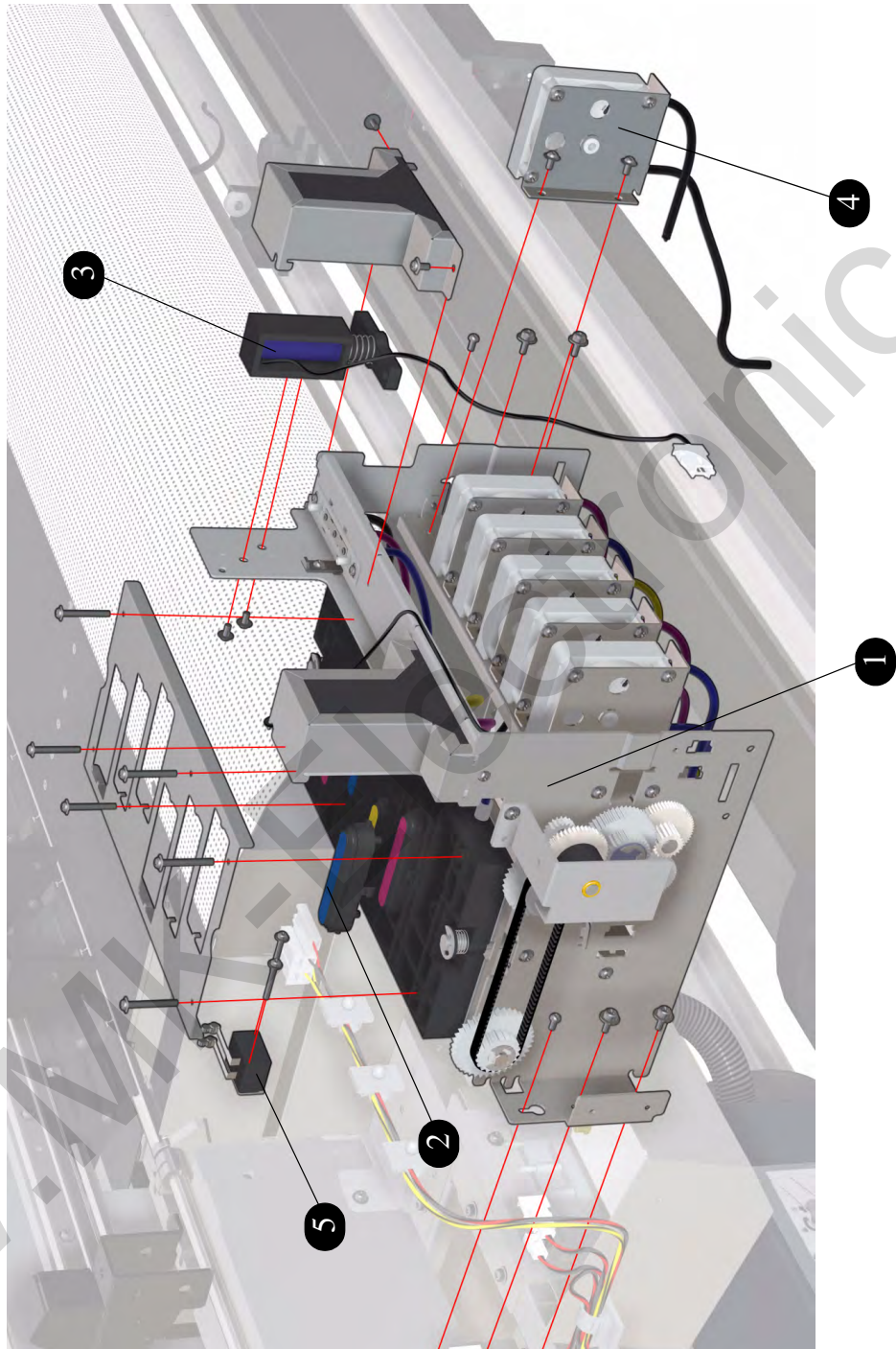


Figure 11: Capping Assemblies

Wiping Assemblies

Wiping Assemblies			
Reference on Drawing	HP Part Number	Quantity	Description/Comments
1	Q6665-60064	1	Wiping Station Assembly
2	Q6665-60066	1	Wiper Blade
3	Q6665-60067	1	Wiper Belt (includes 2 belts)
4	Q6665-60065	1	Wiper Cleaning Assembly
5	Q6665-60024	1	Rear Cover Sensor (includes 2 sensors)

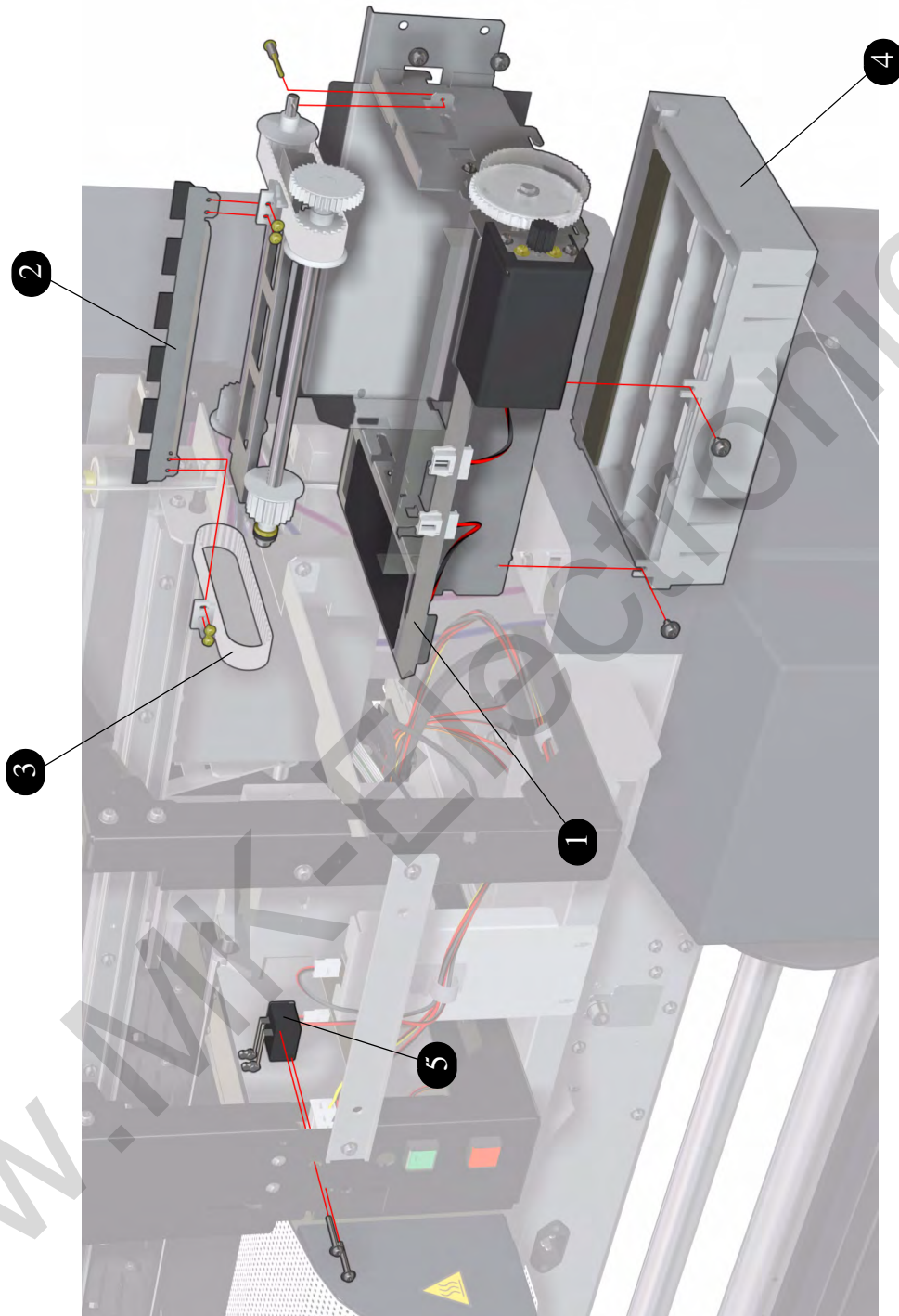
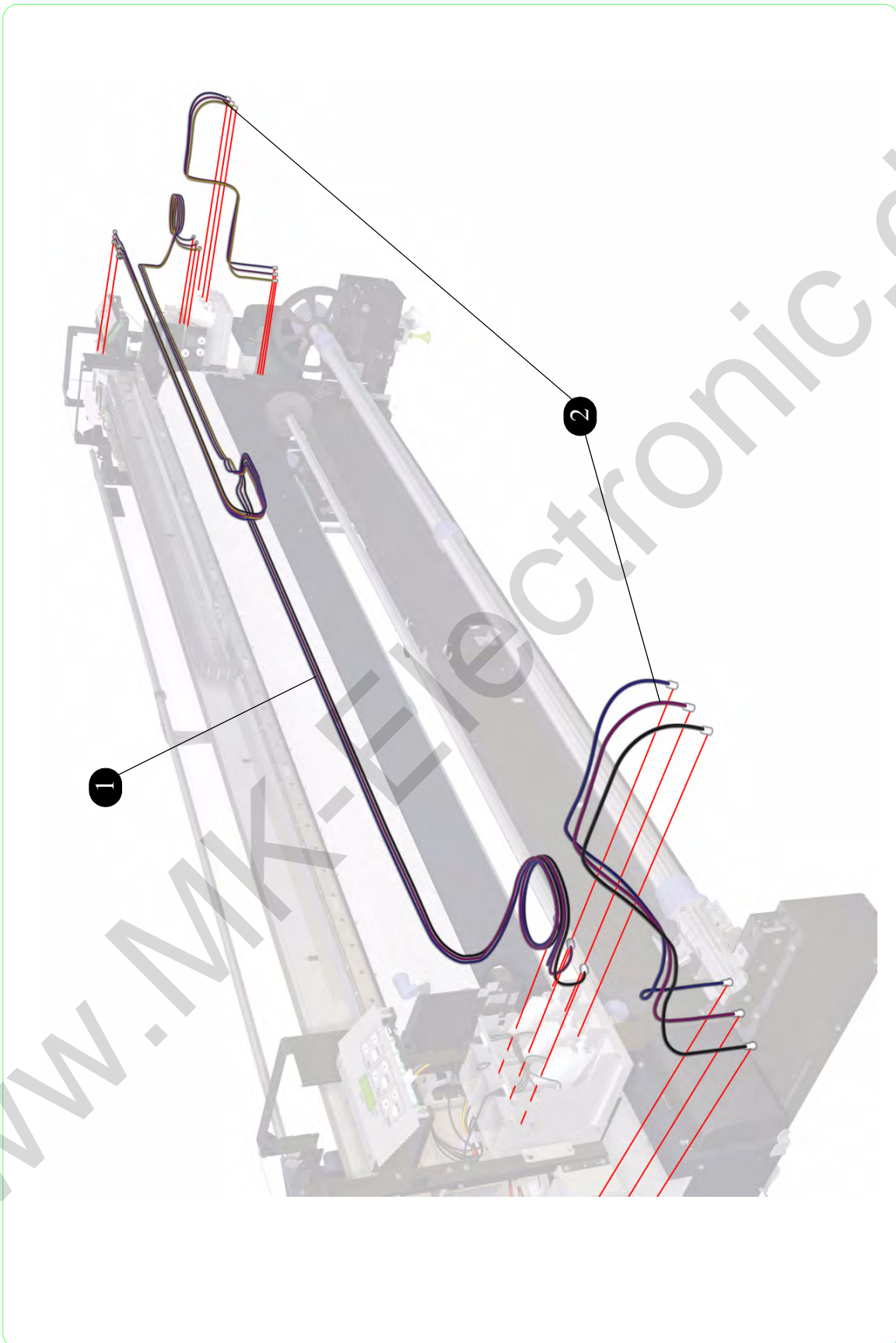


Figure 12: Wiping Assemblies

Ink Supply and Subtank Tubes

Ink Supply and Subtank Tubes			
Reference on Drawing	HP Part Number	Quantity	Description/Comments
1	Q6693-60068	1 (set of 6)	Tubes Kit 10000
2	Q6665-60086	1 (set of 6)	Pump to Subtank Tubes



Ink Supply and Subtank Assemblies

Ink Supply and Subtank Assemblies			
Reference on Drawing	HP Part Number	Quantity	Description/Comments
1	Q6665-60055	1	Right Ink Supply Station
-	Q6665-60056	1	Left Ink Supply Station
2	Q6665-60053	6	Ink Pump Assembly (includes Ink Pump Tube and needle)
3	Q6665-60054	6	Ink Pump Tube
4	Q6665-60057	2	Ink Cartridge Door Sensor
5	Q6665-60059	2	Subtank Assembly (includes 3 assemblies)
6	Q6665-60058	2	Subtank Sensors (includes 3 sensors)

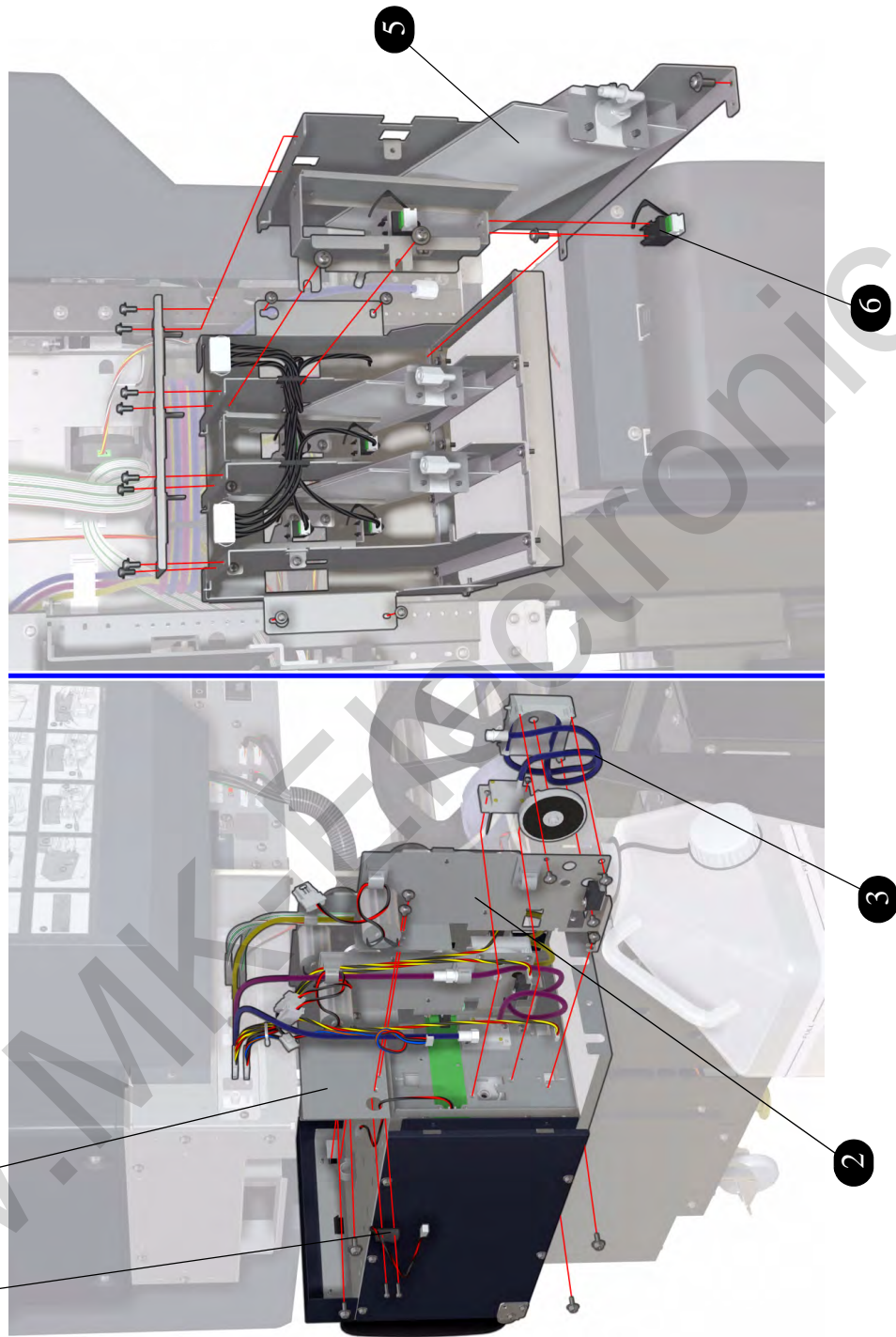


Figure 13: Ink Supply and Subtank Assemblies

Printer Stand and Waste Bottle

Printer Stand and Waste Bottle			
Reference on Drawing	HP Part Number	Quantity	Description/Comments
1	Q6693-60023	2	Foot Casters (includes 2 Foot casters)
2	Q6665-60068	1	Waste Bottle
3	Q6665-60057	1	Waste Bottle Sensor
4	Q6693-60025	1	Waste Bottle Holder Assembly and Sensor
5	Q6693-60035	2	Leveler

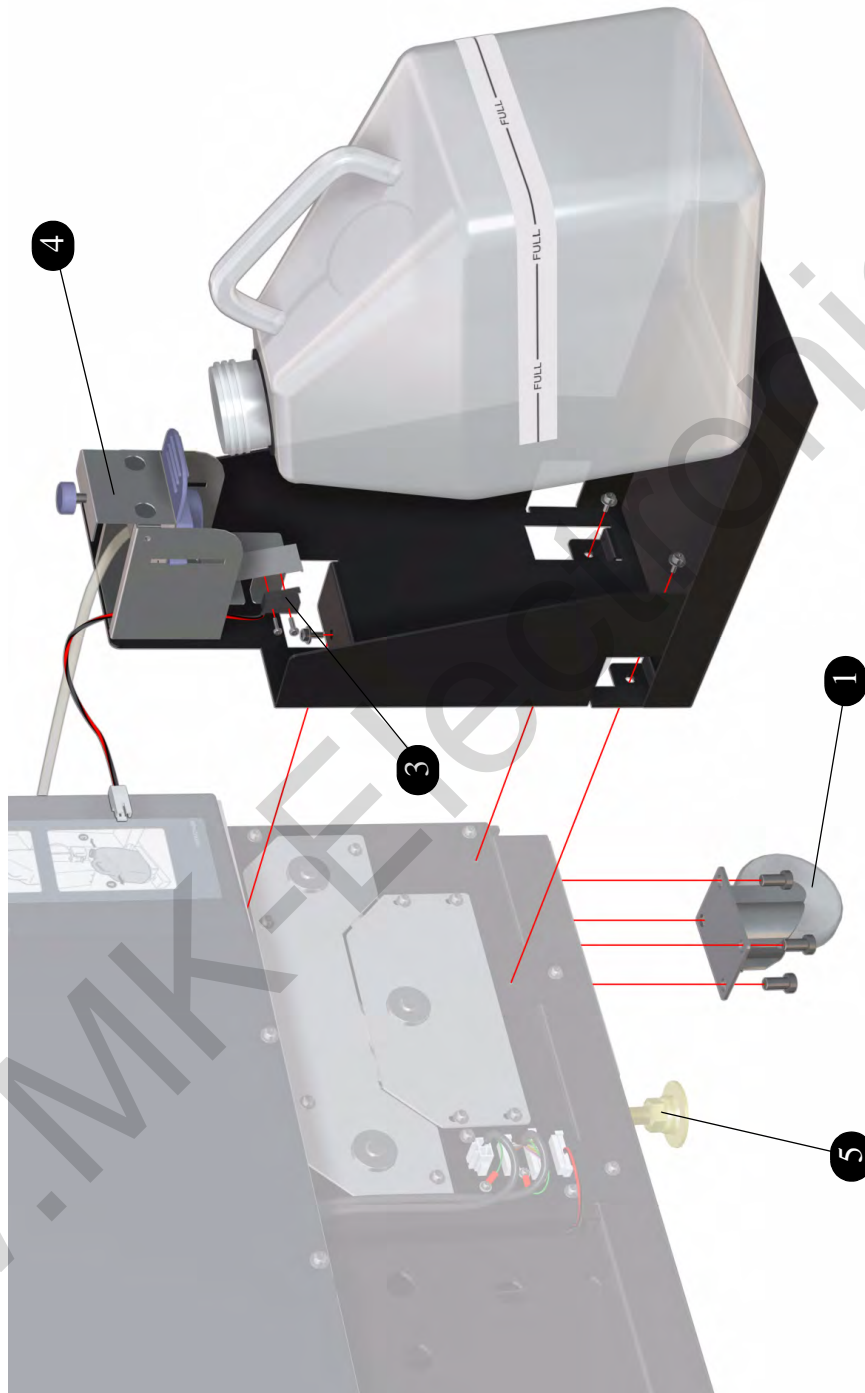


Figure 14: Printer Stand and Waste Bottle

Media Feed and TUR Sensors

Media Feed and TUR Sensors			
Reference on Drawing	HP Part Number	Quantity	Description/Comments
1	Q6693-60033	1	Media Sensor Kit (Includes 2 Receiving Units and 2 Emitting Units)

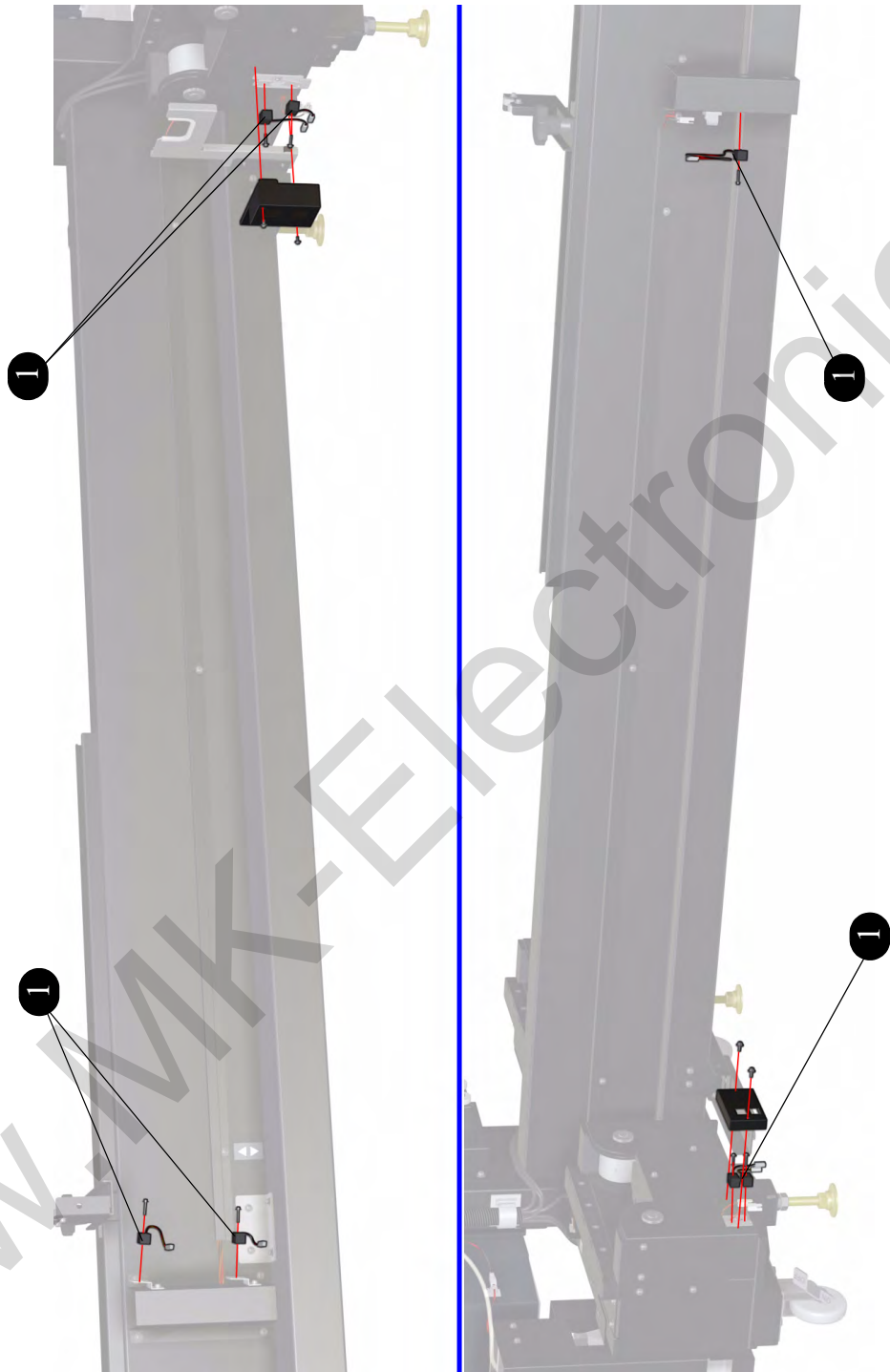


Figure 15: Media Feed and TUR Sensors

Accessories

Accessories			
Reference on Drawing	HP Part Number	Quantity	Description/Comments
1	Q6693-60047	2	Main Scroller *** (for the Media feed side or for the Take-up-reel side)
2	Q6693-60048	1	Sub Scroller *** (includes the Sub-Scroller Assembly)
3	Q6693-60049	1	Tension Bar Kit (can be used to replace any of the three tension bars and includes the black flanges and yellow flanges which can be used on the Media feed side and Take-up-reel side)
4	Q6693-60054	2	Foot Switch
5	Q6693-60057	1	Sub Scroller Holder Assembly (includes the Tension Arm Assembly)
6	Q6693-60055	4	Flange Spacer
7	Q6693-60056	4	Flange Stopper
8	Q6693-60041	2	Subscroller Flange
9	Q6693-60050	1	Right Tension Bar Guide
10	Q6693-60051	1	Left Tension Bar Guide
11	Q6693-60062	2	Tension Bar Flange
12	Q6693-60063	1	Media Roll Spacer (includes two screws)
-	Q6693-60064	1	Tension Bar Holder
-	Q6693-60040	1	Edge Guard Kit (when using a Liner)
-	Q6693-60042	1	Edge Guard Kit for Dual-Roll Printing (includes eight crews and four small guides)
-	Q6693-60046	1	Liner Separator Bar Set ***
-	Q6693-60052	1	Paper Tube Flanges Kit (Includes two big black Media Tubes Flanges, one rubber spacer A, one rubber spacer B and one rubber spacer C)
-	Q6693-60053	1	Paper Set Gauge
-	Q6693-60058	1	Flange Joint
-	C7790-60425	1	USB Cable (5 m)

*** These parts are contained in boxes that measure at least 3 meters, so should be dispatched directly from the parts stock to the customer.

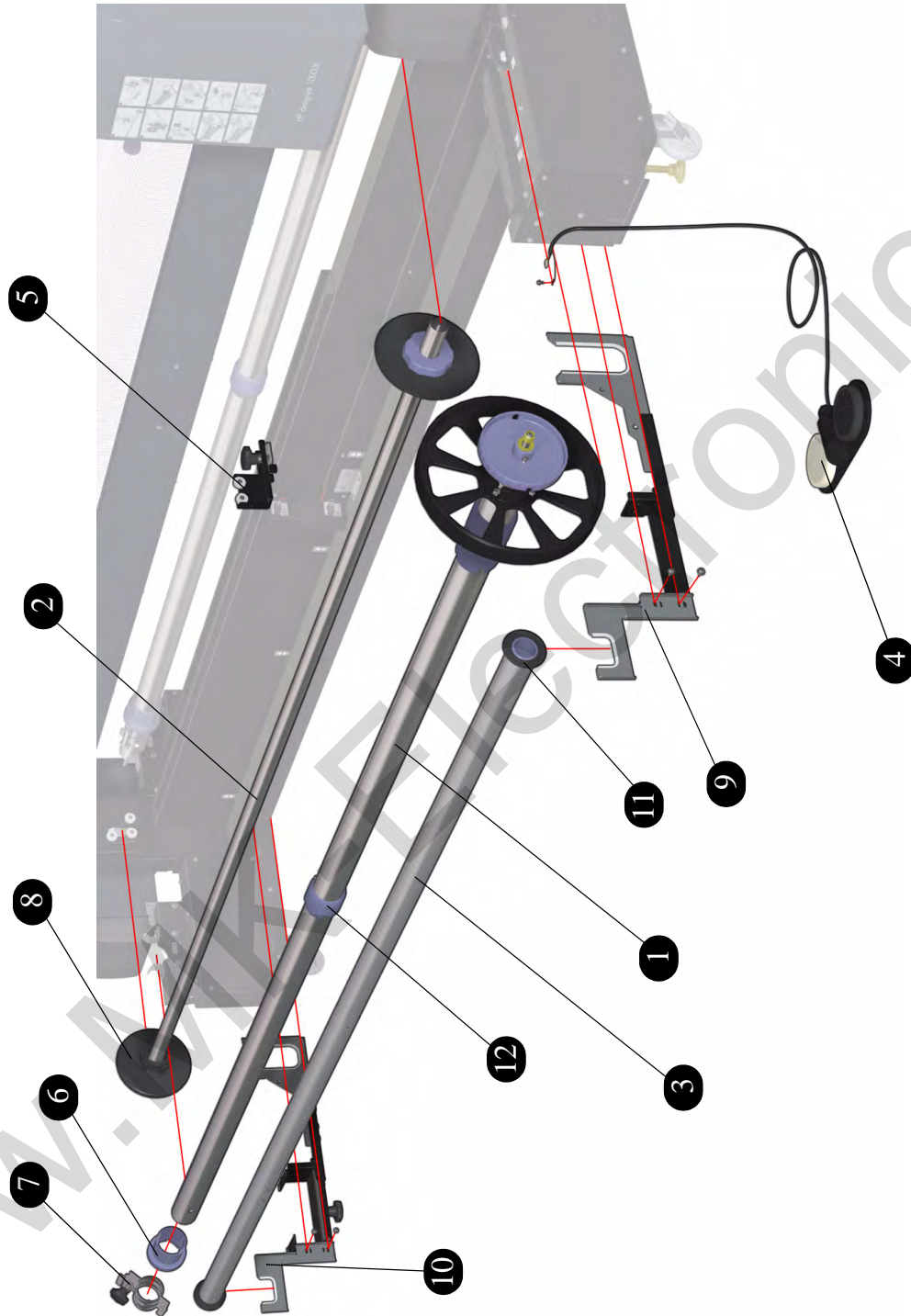


Figure 16: Accessories

Service Tools

Service Tools			
Reference on Drawing	HP Part Number	Quantity	Description/Comments
1	Q6693-60024	1	Carriage Height Adjustment Tools
2	Q6665-60071	1	Printhead Position Adjustment Tools
3	Q6665-60075	1	Capping Height Adjustment Tools
4	Q6693-60037	1	Platen Flatness Adjustment Tools (includes Shims and Dummy Heater Sensor). Shims included are: <ul style="list-style-type: none"> ■ 30 small Shims 0.1 mm (100 μm). ■ 30 small Shims 0.2 mm (200 μm). ■ 15 large Shims 0.1 mm (100 μm). ■ 15 large Shims 0.2 mm (200 μm).

If any of the above tools are required, please contact the HP Response Center or the nearest HP Support Office.

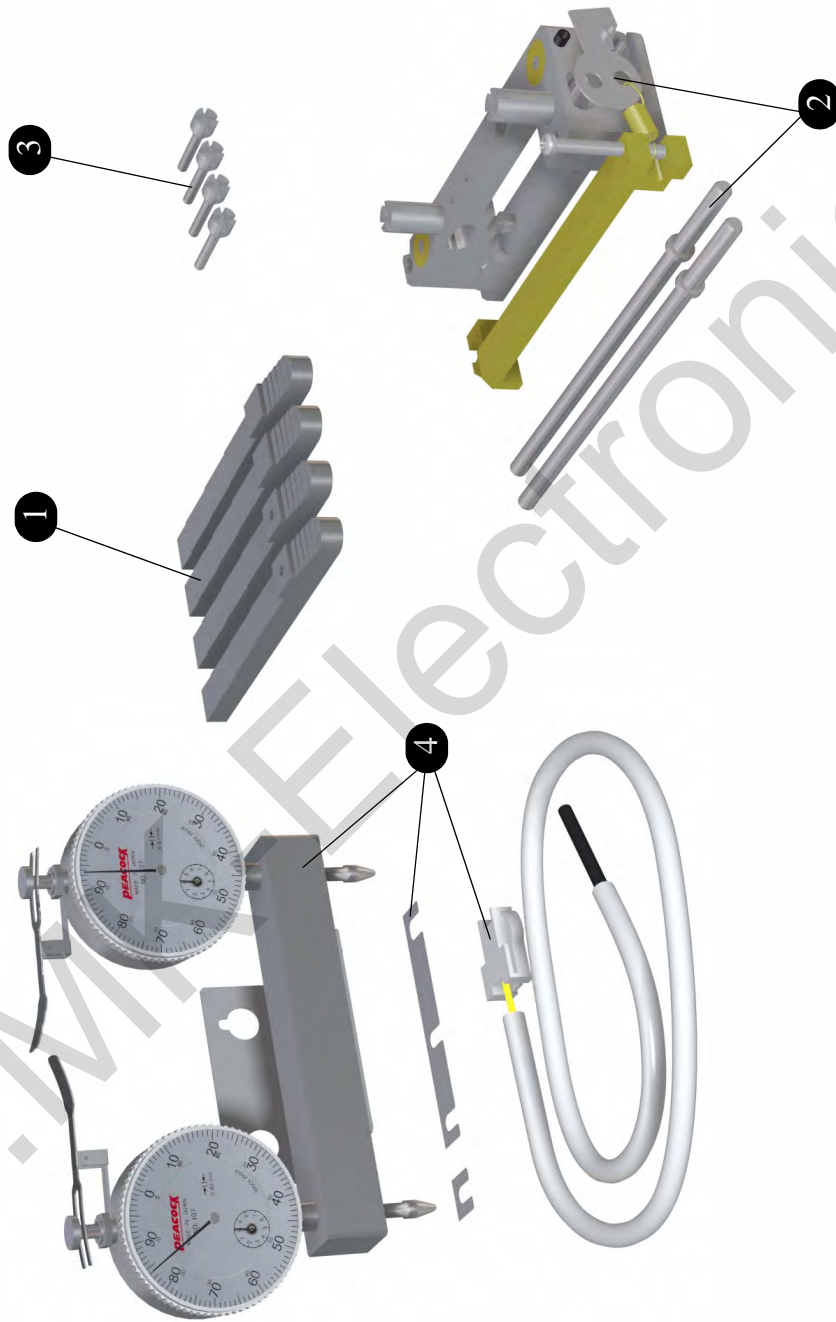


Figure 17: Service Tools

Air Purifier System

Service Tools			
Reference on Drawing	HP Part Number	Quantity	Description/Comments
1	Q6668-60007	1	Turbine Assembly 110V
2	Q6668-60008	1	Turbine Assembly 220V
3	Q6668-60009	1	APS Electronic Module / Front Panel
4	Q6668-60010	1	Foot Casters
5	Q6668-60012	1	APS Tubes Kit (with tubes of 4 meters for HP Designjet 8000s and 9000s)
6	Q6668-60017	1	APS Tubes Kit (with tubes of 6 meters for HP Designjet 8000s, 9000s and 10000s)
7	Q6679-60001	1	APS Replacement Filter